



US00D638645S

(12) **United States Design Patent**
Barnes et al.

(10) **Patent No.:** **US D638,645 S**

(45) **Date of Patent:** **** May 31, 2011**

(54) **SUPPORT FOR BLINDS**

(75) Inventors: **Antony Barnes**, Stockport (GB);
Andrew Greening, Sandbach (GB)

(73) Assignee: **Louver-Lite Limited**, Cheshire (GB)

(**) Term: **14 Years**

(21) Appl. No.: **29/376,821**

(22) Filed: **Oct. 13, 2010**

(51) **LOC (9) Cl.** **06-10**

(52) **U.S. Cl.** **D6/580**

(58) **Field of Classification Search** D6/575,
D6/577, 580, 581; D8/377; D25/119, 124;
160/38, 168, 168 R, 178.1 R, 170, 177; 248/251,
248/261

See application file for complete search history.

(56) **References Cited**

U.S. PATENT DOCUMENTS

D567,002 S *	4/2008	Allsopp	D6/580
D595,078 S *	6/2009	Kollman et al.	D6/580
D595,984 S *	7/2009	Kollman et al.	D6/580
D600,484 S *	9/2009	Anderson et al.	D6/580

* cited by examiner

Primary Examiner — Susan Bennett Hattan

Assistant Examiner — Barbara B Lohr

(74) *Attorney, Agent, or Firm* — Haugen Law Firm PLLP

(57) **CLAIM**

The ornamental design for a support for blinds, as shown and described.

DESCRIPTION

FIG. 1 is an upper perspective view of the design, with the separation indicating that the precise length of the article is not claimed;

FIG. 2 is a lower perspective view of the design with the separation indicating that the precise length of the article is not claimed;

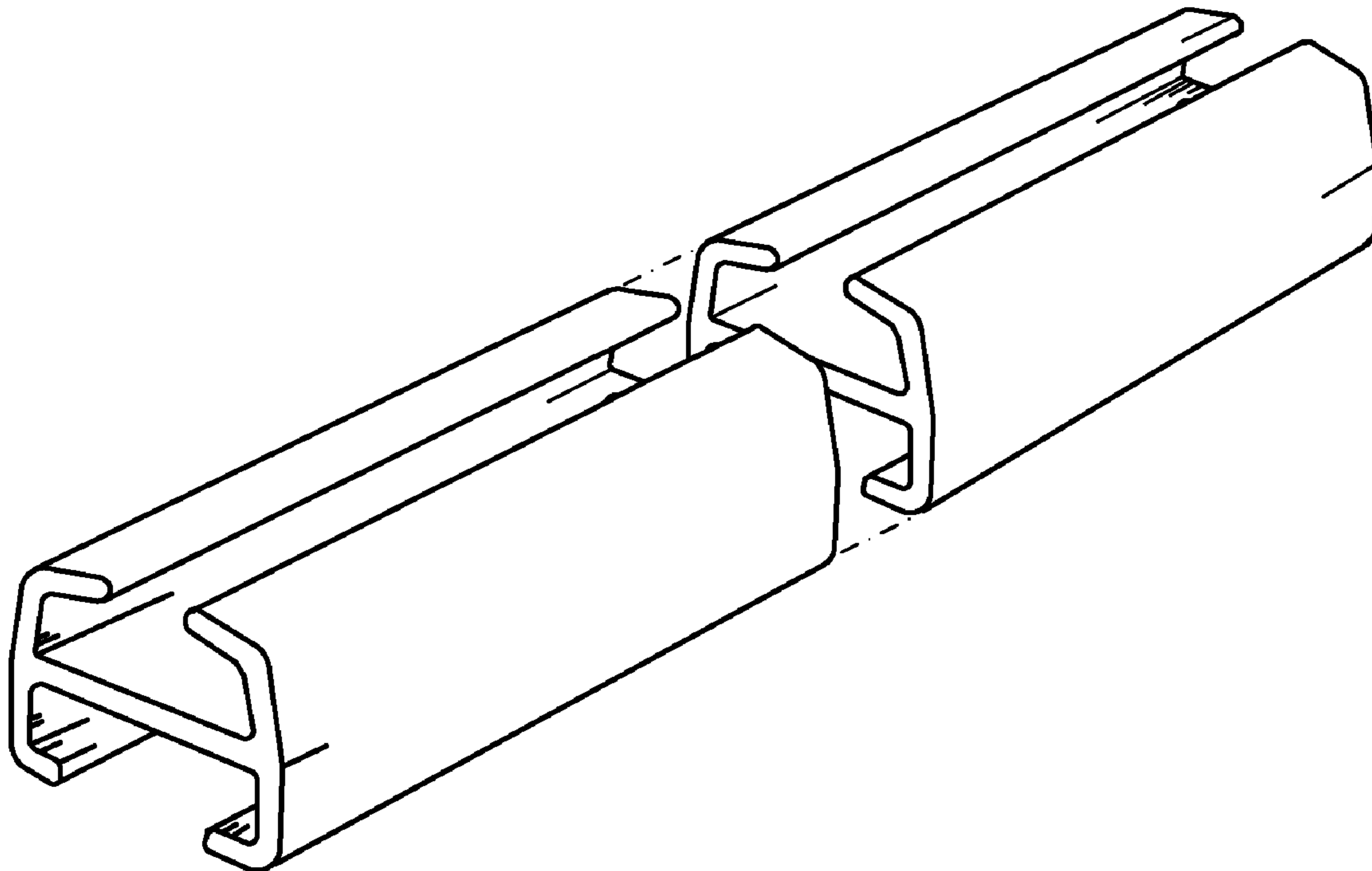
FIG. 3 is a top plan view of the design;

FIG. 4 is a bottom plan view of the design;

FIG. 5 is an end view of the design; and,

FIG. 6 is a side elevational view of the design, with the opposite side being identical to that shown.

1 Claim, 5 Drawing Sheets



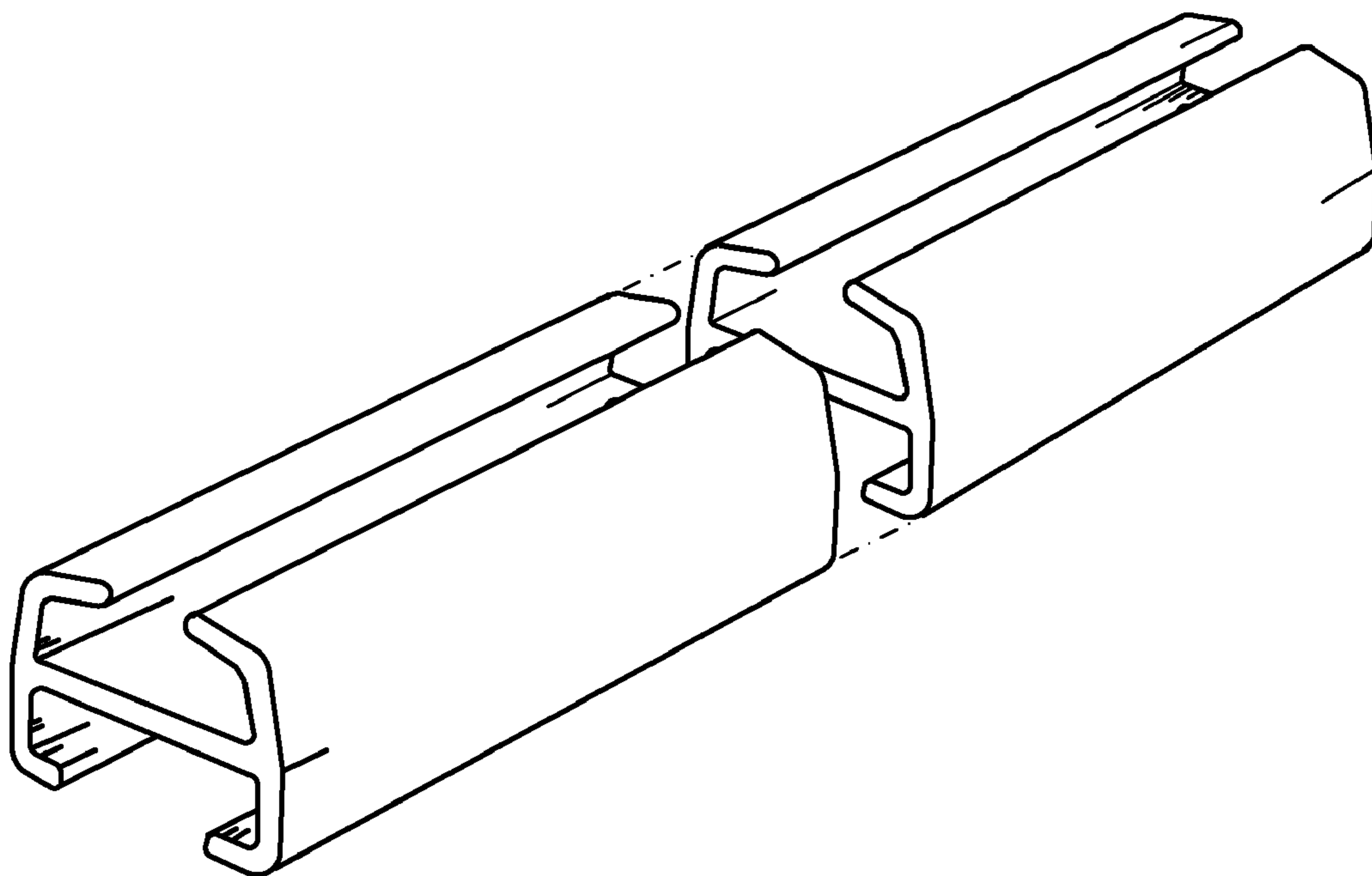


Figure 1

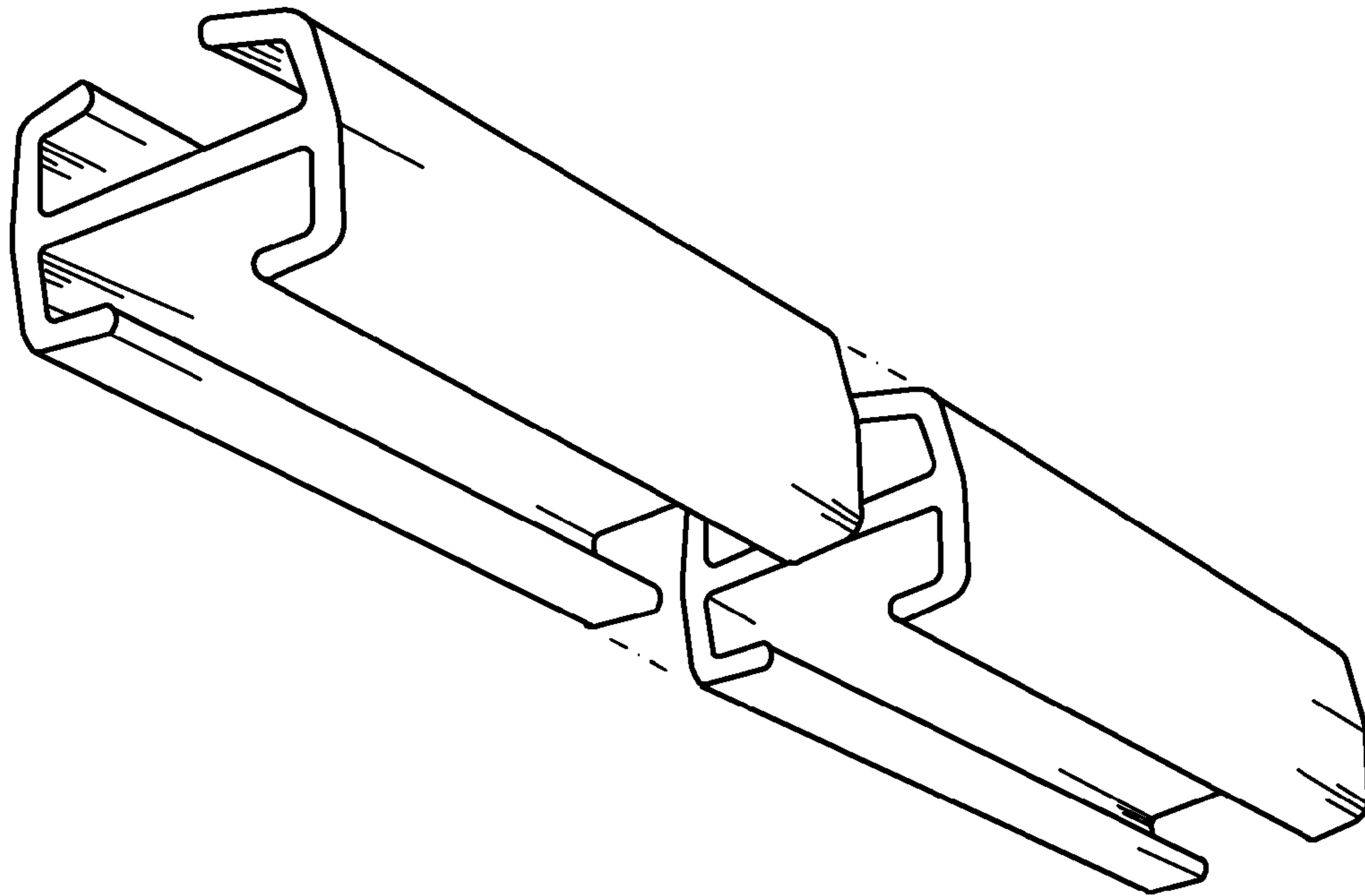


Figure 2

Figure 3

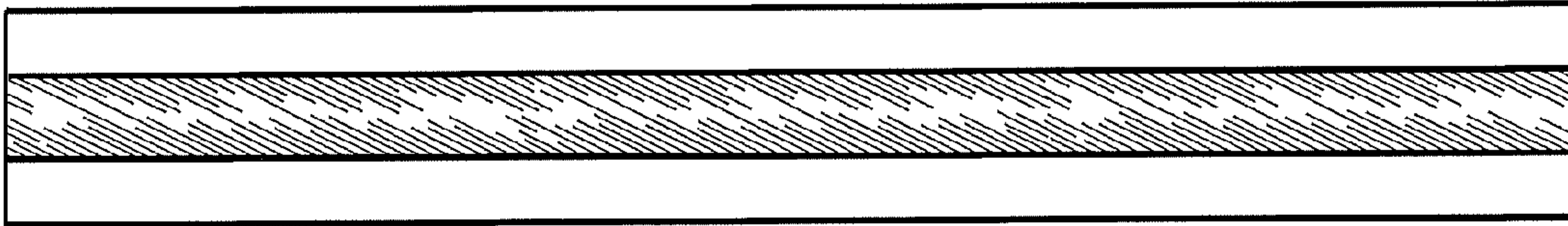


Figure 4

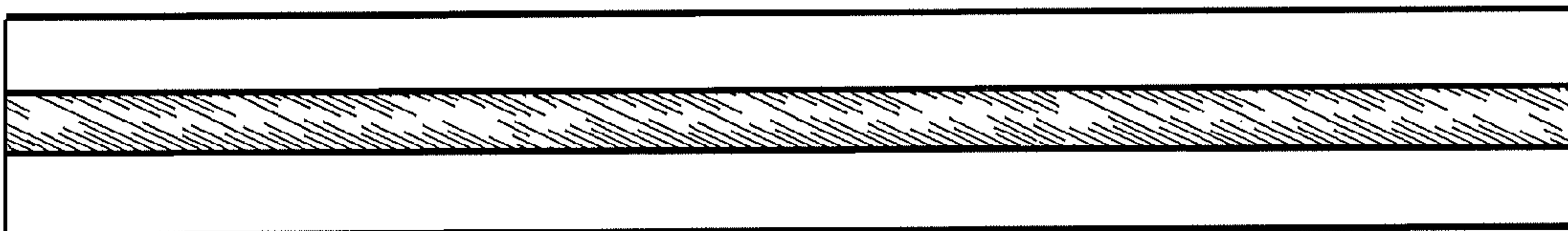


Figure 5

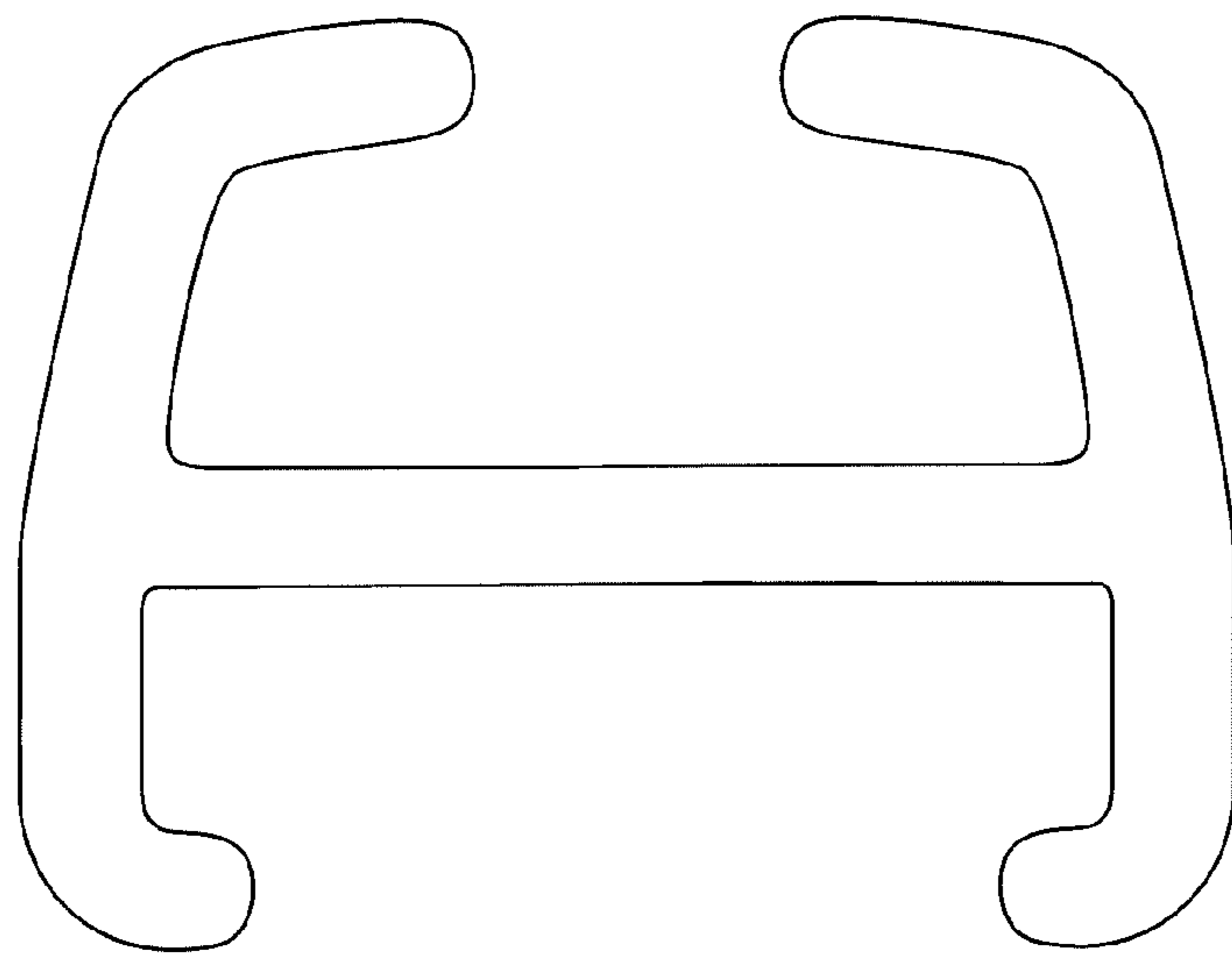


Figure 6

