



US00D638643S

(12) **United States Design Patent**
Gehring et al.

(10) **Patent No.:** **US D638,643 S**

(45) **Date of Patent:** **** *May 31, 2011**

(54) **WIPES CONTAINER**

(75) Inventors: **Debra Gay Gehring**, Cincinnati, OH (US); **Sarah Louise Thielman**, Cincinnati, OH (US)

(73) Assignee: **The Procter & Gamble Company**, Cincinnati, OH (US)

(**) Term: **14 Years**

(21) Appl. No.: **29/368,340**

(22) Filed: **Aug. 23, 2010**

Related U.S. Application Data

(63) Continuation of application No. 29/354,342, filed on Jan. 22, 2010, now abandoned, which is a continuation of application No. 29/342,796, filed on Sep. 1, 2009, now Pat. No. Des. 611,282.

(51) **LOC (9) Cl.** **20-02**

(52) **U.S. Cl.** **D6/518**

(58) **Field of Classification Search** D6/518-523; 206/389, 390, 395; 221/282-283; 312/34.8; 242/570, 560, 590, 597.7, 598; D9/516, D9/549, 423; D3/294, 318

See application file for complete search history.

(56) **References Cited**

U.S. PATENT DOCUMENTS

6,550,635 B1 4/2003 King
D496,964 S * 10/2004 Thompson et al. D6/518

D520,277 S * 5/2006 Smiley et al. D6/518
D545,097 S * 6/2007 Schlaupitz et al. D6/518
D546,602 S * 7/2007 Chasid et al. D6/518
D564,812 S * 3/2008 Tomic et al. D6/518
D579,702 S * 11/2008 McArdle D6/515
D598,687 S * 8/2009 Serfaty D6/518
D611,282 S * 3/2010 Gehring et al. D6/518

* cited by examiner

Primary Examiner — Brian N Vinson

(74) *Attorney, Agent, or Firm* — John G. Powell; Richard L. Alexander

(57) **CLAIM**

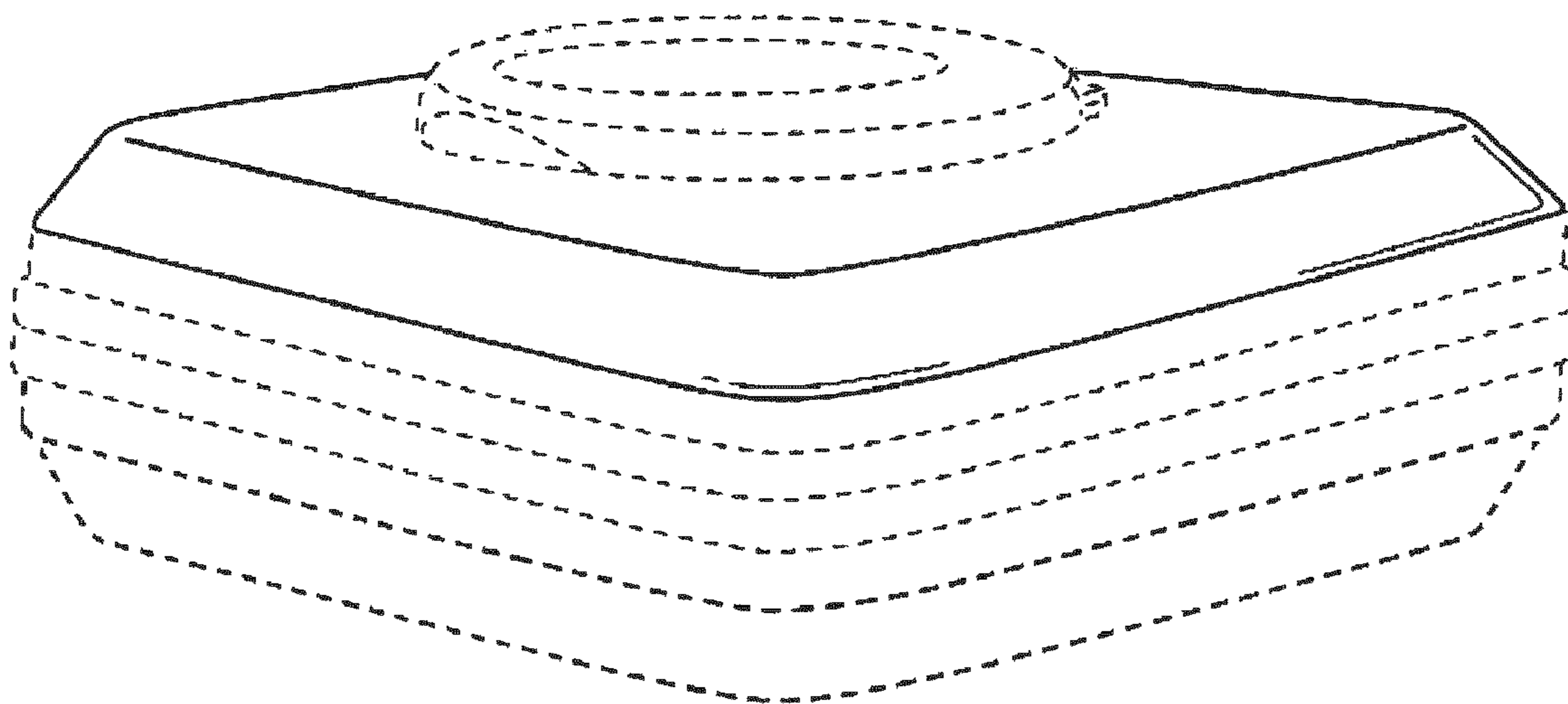
The ornamental design for a wipes container, as shown and described.

DESCRIPTION

FIG. 1 is a perspective view of a wipes container showing our new design;
FIG. 2 is a front elevational view thereof;
FIG. 3 is a rear elevational view thereof;
FIG. 4 is a side elevational view thereof;
FIG. 5 is an opposite side elevational view thereof;
FIG. 6 is top plan view thereof; and,
FIG. 7 is a bottom plan view thereof.

The broken line disclosure in the views is understood to represent portions of the article in which the claimed design is embodied, but which form no part of the claimed design, and where a broken line abuts a claimed surface, it is understood to represent an unclaimed boundary between claimed and unclaimed surfaces.

1 Claim, 3 Drawing Sheets



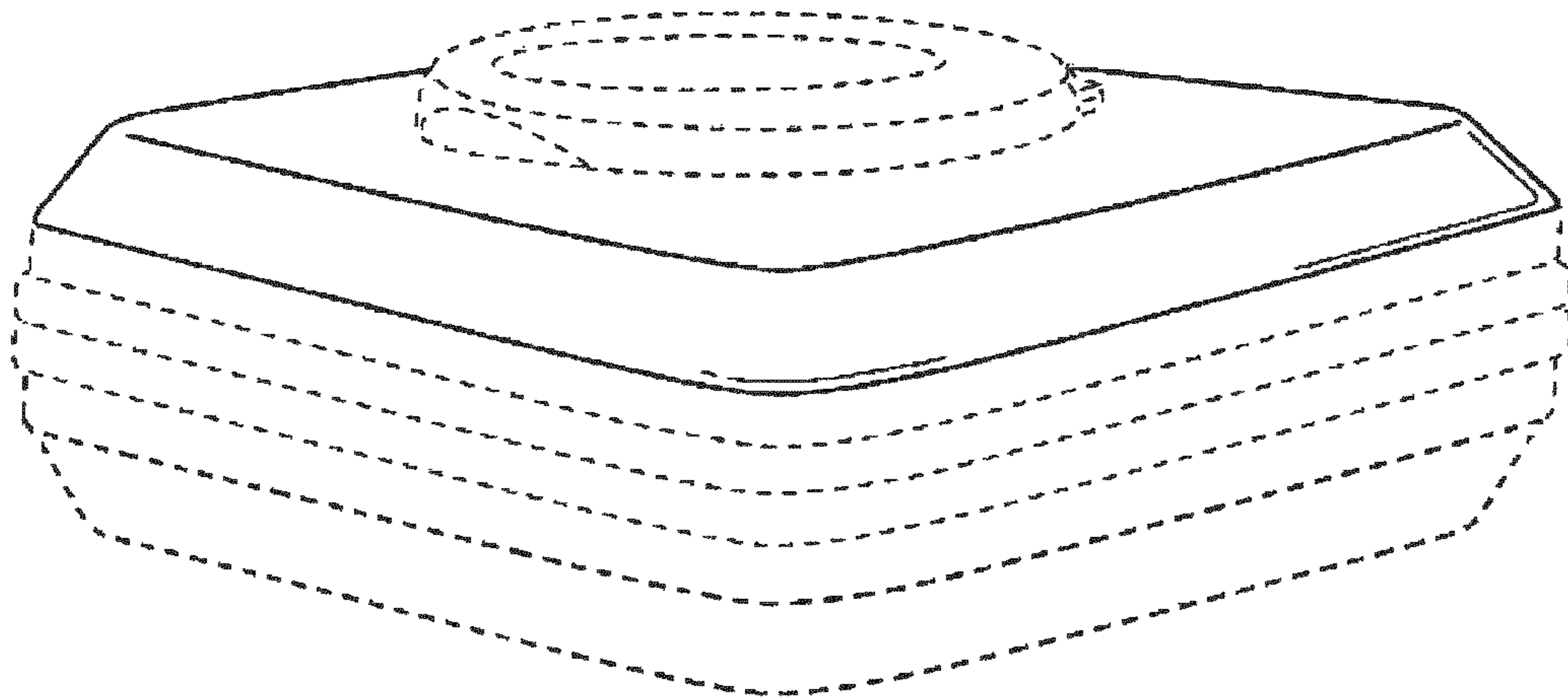


Fig. 1

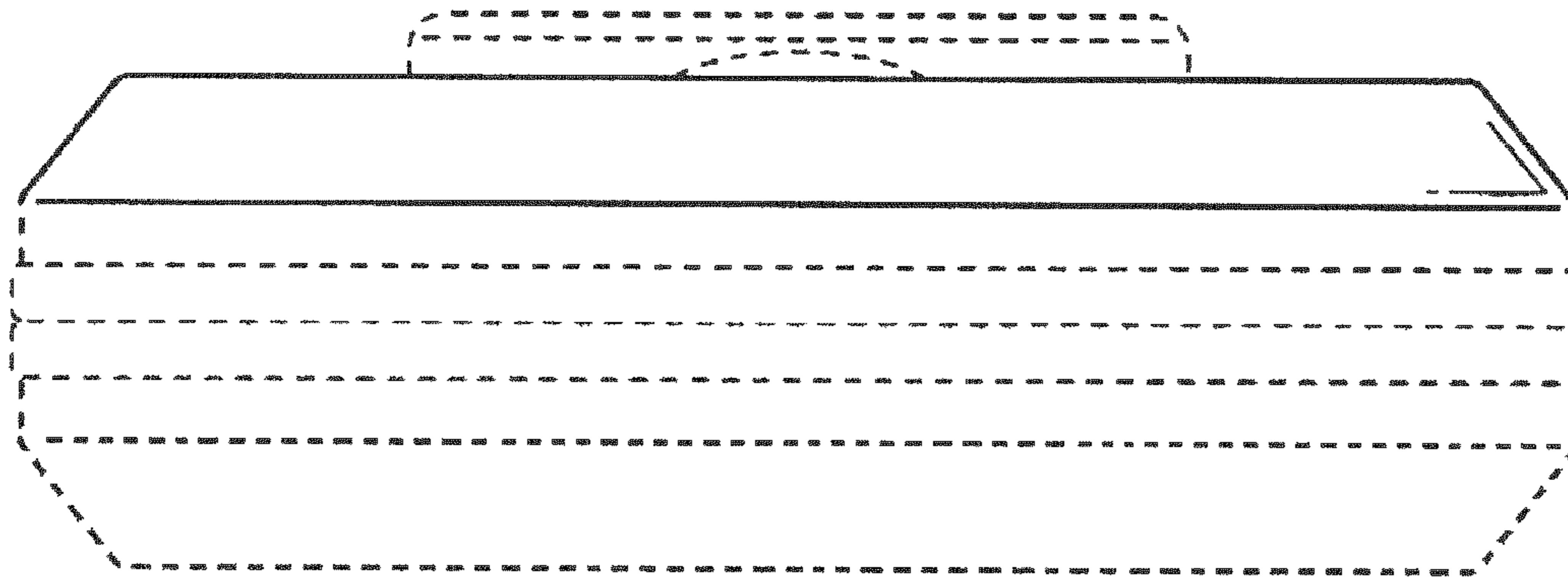


Fig. 2

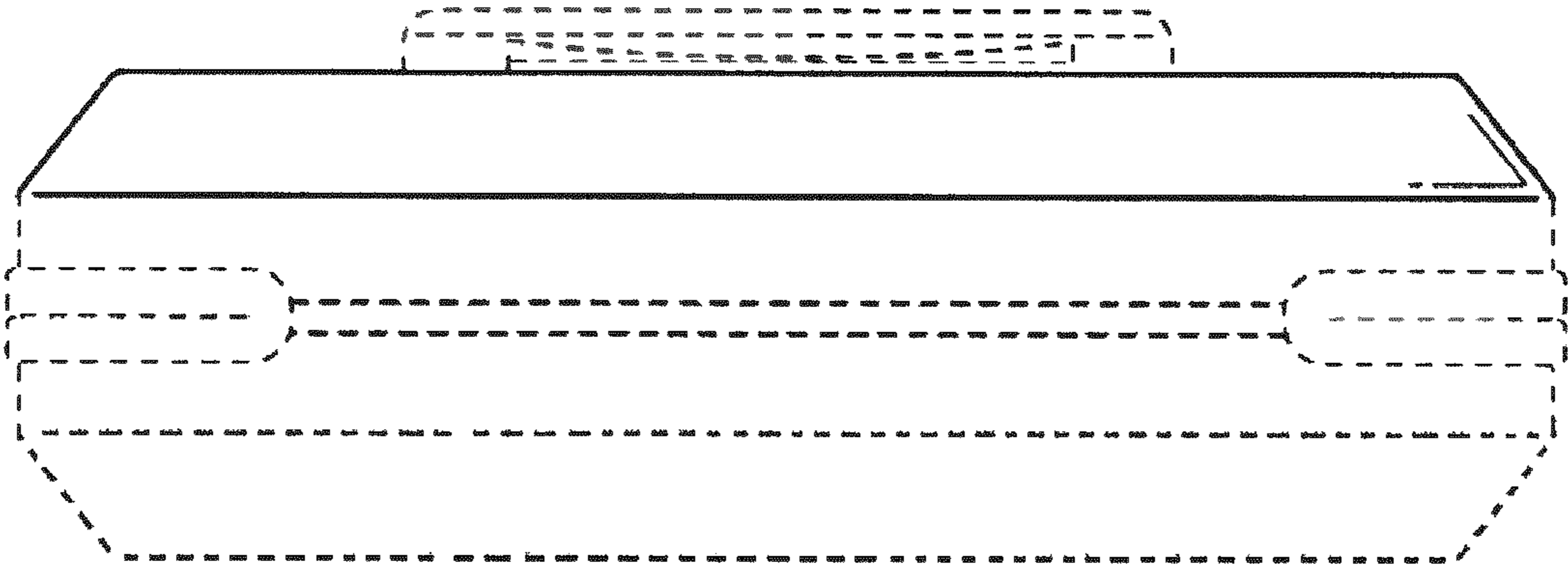


Fig. 3

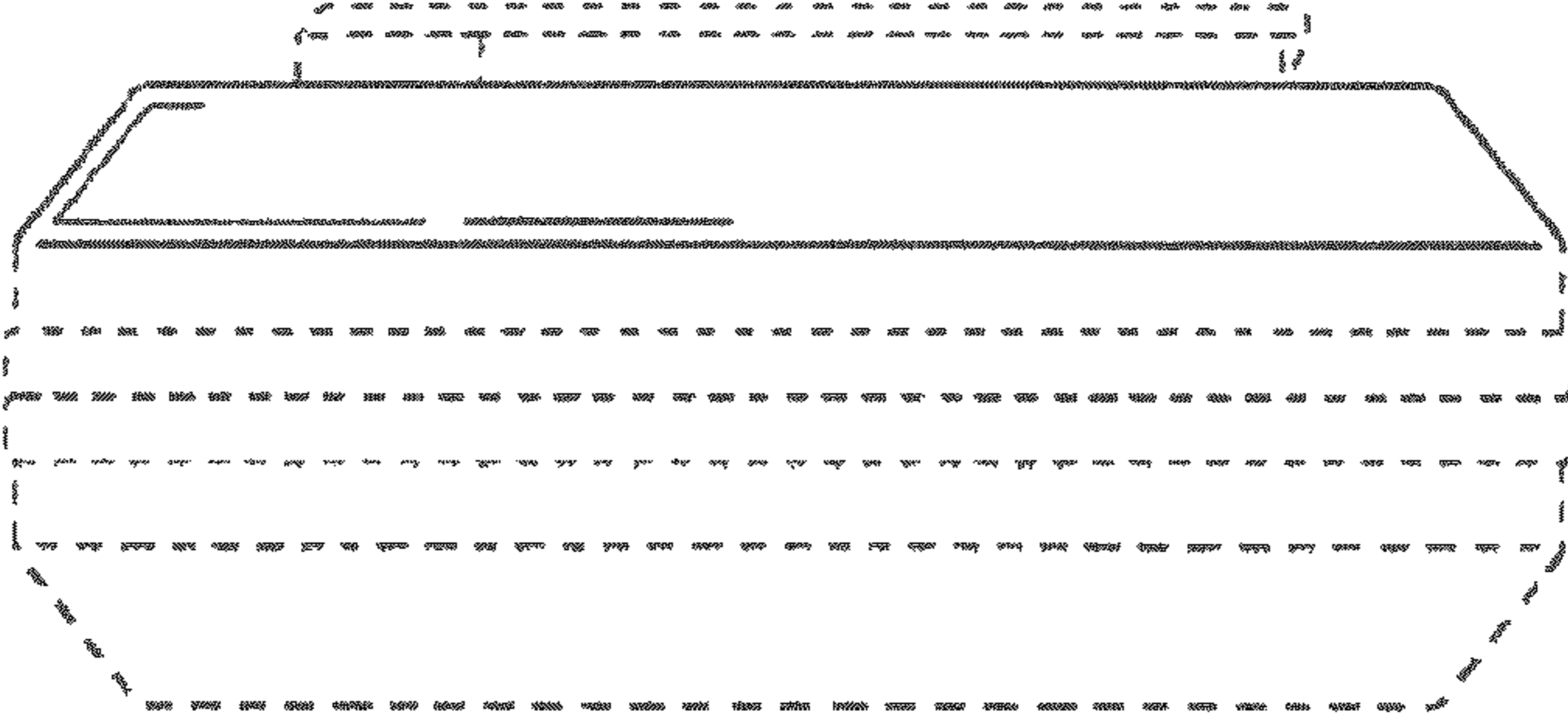


Fig. 4

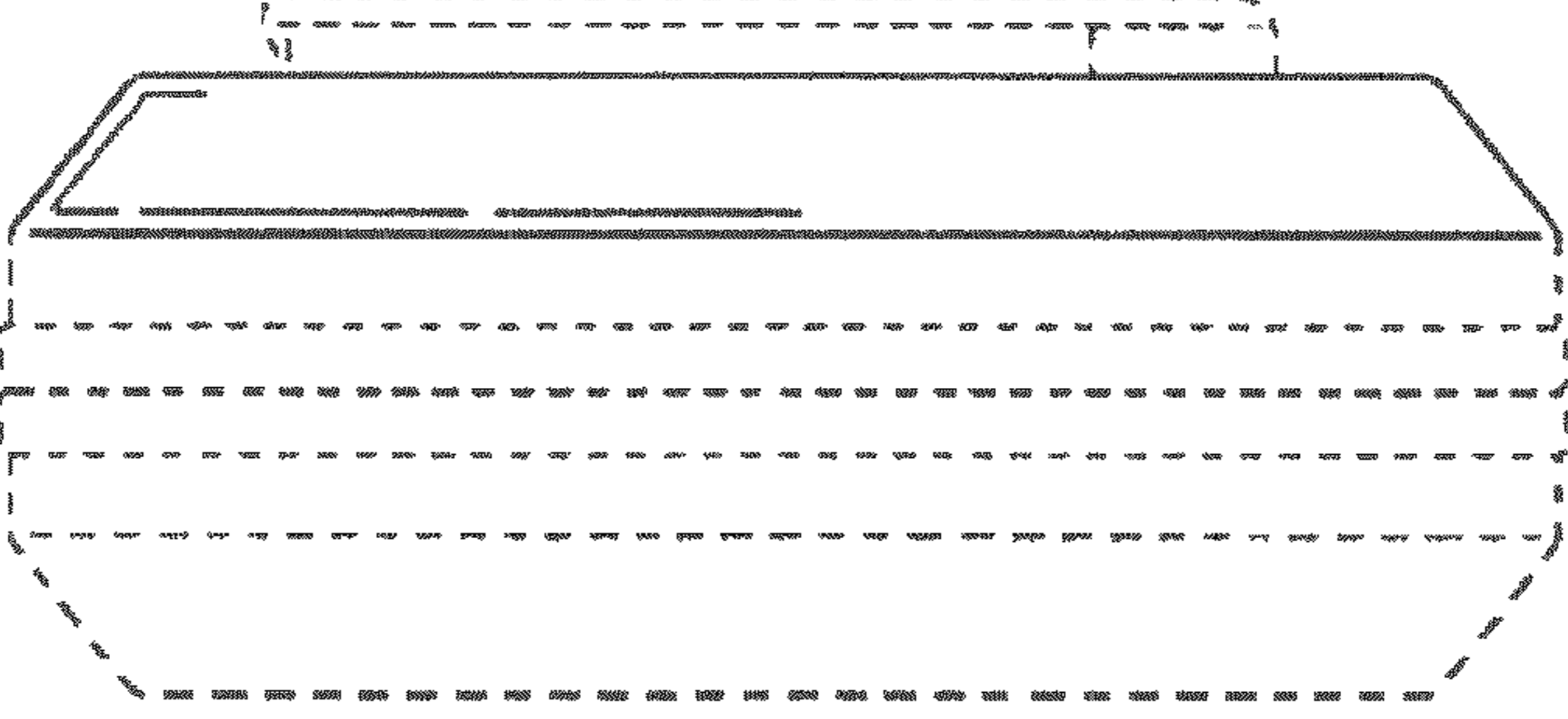


Fig. 5

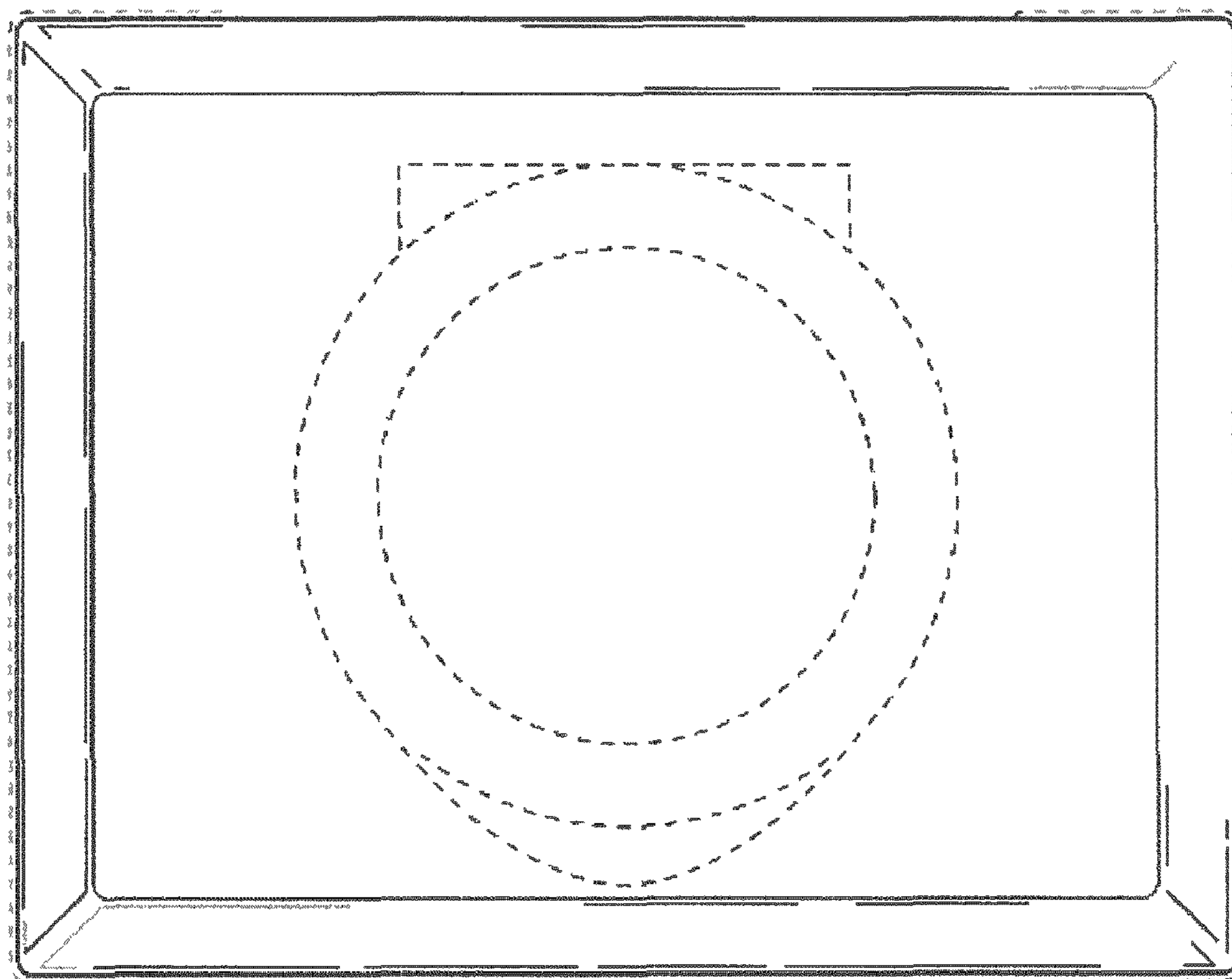


Fig. 6



Fig. 7