



US00D638641S

(12) **United States Design Patent**
Piretti

(10) **Patent No.:** **US D638,641 S**

(45) **Date of Patent:** **** May 31, 2011**

(54) **CHAIR**

(75) Inventor: **Giancarlo Piretti**, Bologna (IT)

(73) Assignee: **Pro-Cord S.p.A.**, Bologna (IT)

(**) Term: **14 Years**

(21) Appl. No.: **29/379,817**

(22) Filed: **Nov. 24, 2010**

Related U.S. Application Data

(62) Division of application No. 29/319,333, filed on Jun. 6, 2008.

(51) **LOC (9) Cl.** **06-01**

(52) **U.S. Cl.** **D6/500; D6/380**

(58) **Field of Classification Search** D6/334-336,
D6/360-369, 372-380, 498, 500-502, 601;
297/239, 284.4-284.5, 291, 297, 300.4, 301.3,
297/411.2, 411.27-411.29, 452.1, 452.13,
297/452.19, 452.21, 452.29, 452.3, 452.56,
297/452.64

See application file for complete search history.

(56) **References Cited**

U.S. PATENT DOCUMENTS

3,111,344 A	11/1963	Hoven et al.	
D202,264 S	9/1965	Albinson	
D202,775 S *	11/1965	Rowland	D6/373
D214,315 S	6/1969	Bartholomew	
D272,587 S	2/1984	Pamberg	
D274,771 S	7/1984	Ambasz et al.	
D284,048 S	6/1986	Ambasz et al.	
D289,120 S	4/1987	Chadwick et al.	
D292,149 S	10/1987	Monesi	
4,733,910 A	3/1988	Brennan	
D298,390 S	11/1988	Bellini	
D299,192 S	1/1989	Chadwick et al.	
D300,885 S	5/1989	Ochsner	
D305,285 S	1/1990	Piretti	

D352,183 S	11/1994	Sheridan	
D367,185 S *	2/1996	Olson	D6/373
D370,360 S	6/1996	Fewchuk	
D374,561 S	10/1996	Meijer	
D378,553 S	3/1997	Newhouse	
D385,425 S	10/1997	Goetz	
D390,024 S *	2/1998	DeJule	D6/373
D417,970 S	12/1999	Duffy et al.	
D422,158 S *	4/2000	Newhouse	D6/375
D422,424 S *	4/2000	Gehry et al.	D6/375
6,109,696 A *	8/2000	Newhouse et al.	297/452.1
D433,578 S	11/2000	Saul	
D436,751 S	1/2001	Schacht	
D436,768 S *	1/2001	Jenkins et al.	D6/500
D446,037 S	8/2001	Koepke et al.	
D451,693 S	12/2001	Pearce et al.	
D455,570 S	4/2002	Kita	
D457,739 S	5/2002	Pearce et al.	
6,412,869 B1	7/2002	Pearce	
6,669,301 B1	12/2003	Funk et al.	
6,679,553 B2 *	1/2004	Batley et al.	297/300.4
D508,338 S *	8/2005	Ambasz	D6/373
D508,339 S *	8/2005	Astle	D6/374

(Continued)

Primary Examiner — Ricky Pham

(74) *Attorney, Agent, or Firm* — Andrus, Scales, Starke & Sawall, LLP

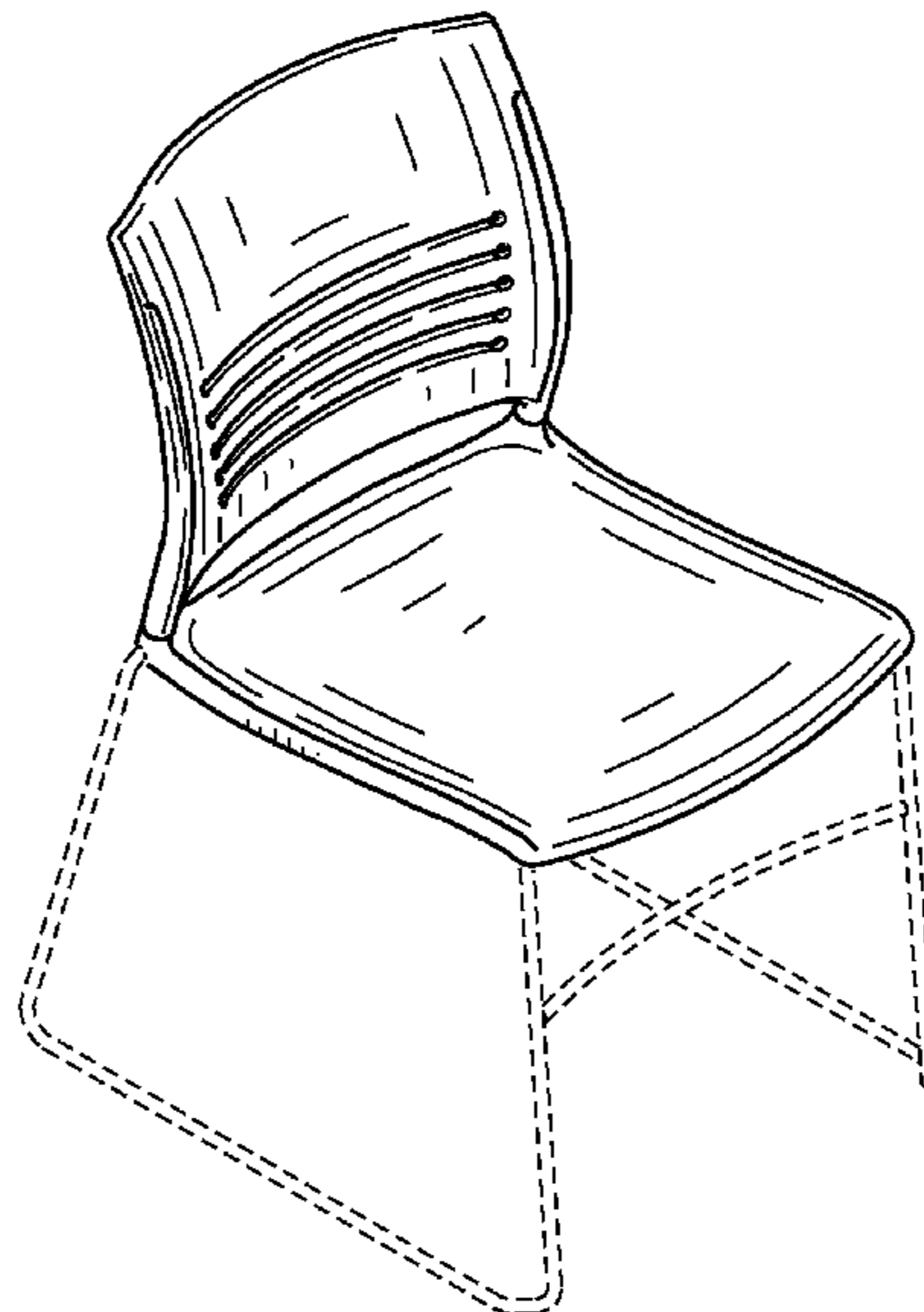
(57) **CLAIM**

The ornamental design for a chair, as shown and described.

DESCRIPTION

FIG. 1 is an isometric view of an armless chair incorporating my new design, wherein the portions in phantom illustrate environment and form no part of the claimed design; FIG. 2 is a front elevation view thereof; FIG. 3 is a right side elevation view thereof, wherein the left side elevation view is a mirror image; FIG. 4 is a rear elevation view thereof; and, FIG. 5 is a top plan view thereof.

1 Claim, 2 Drawing Sheets



US D638,641 S

Page 2

U.S. PATENT DOCUMENTS

D509,671 S	9/2005	Olson et al.		D595,072 S *	6/2009	Su	D6/502
D509,969 S	9/2005	Loew et al.		D597,332 S	8/2009	Carmon	
6,957,860 B1 *	10/2005	Leist et al.	297/239	D599,125 S	9/2009	Piretti	
D513,134 S *	12/2005	Asano et al.	D6/380	D600,052 S	9/2009	Smith et al.	
D513,457 S *	1/2006	Asano et al.	D6/380	D600,465 S	9/2009	Kumazawa	
D513,670 S *	1/2006	Yamagata	D6/380	D600,936 S *	9/2009	Koh	D6/376
D515,331 S	2/2006	Piretti		D600,953 S *	9/2009	Kumazawa	D6/502
D516,830 S *	3/2006	Leist et al.	D6/373	D600,954 S	9/2009	Kumazawa	
D518,304 S *	4/2006	Crescenti	D6/373	D601,822 S	10/2009	Neil	
7,118,177 B2	10/2006	Piretti		D602,268 S	10/2009	Viererbl	
D536,884 S *	2/2007	Meda	D6/334	D602,276 S	10/2009	Neil	
D540,559 S	4/2007	Neil		D605,421 S	12/2009	Baldanzi	
D541,068 S *	4/2007	Foster	D6/374	D606,771 S	12/2009	Chadwick	
D546,574 S *	7/2007	Kaloustian	D6/374	D607,654 S	1/2010	Fewchuk	
7,237,841 B2 *	7/2007	Norman et al.	297/301.3	D607,661 S	1/2010	Chadwick	
D550,977 S *	9/2007	Igarashi	D6/372	D609,035 S	2/2010	Muller	
D564,264 S	3/2008	Smith et al.		D609,487 S	2/2010	Kumazawa	
D574,646 S	8/2008	Su		D609,488 S	2/2010	Kumazawa	
D579,226 S	10/2008	Pinaffo et al.		D610,816 S	3/2010	Keichel et al.	
D583,162 S	12/2008	Vallet et al.		7,686,395 B2	3/2010	Piretti	
D587,027 S *	2/2009	Igarashi	D6/380	D617,568 S	6/2010	Kumazawa	
D587,477 S	3/2009	Neil		D618,004 S	6/2010	DeSanta et al.	
D592,876 S	5/2009	Smith et al.		2002/0117883 A1	8/2002	Gevaert	
D594,669 S *	6/2009	Asano	D6/376	2003/0164635 A1	9/2003	Batthey et al.	

* cited by examiner

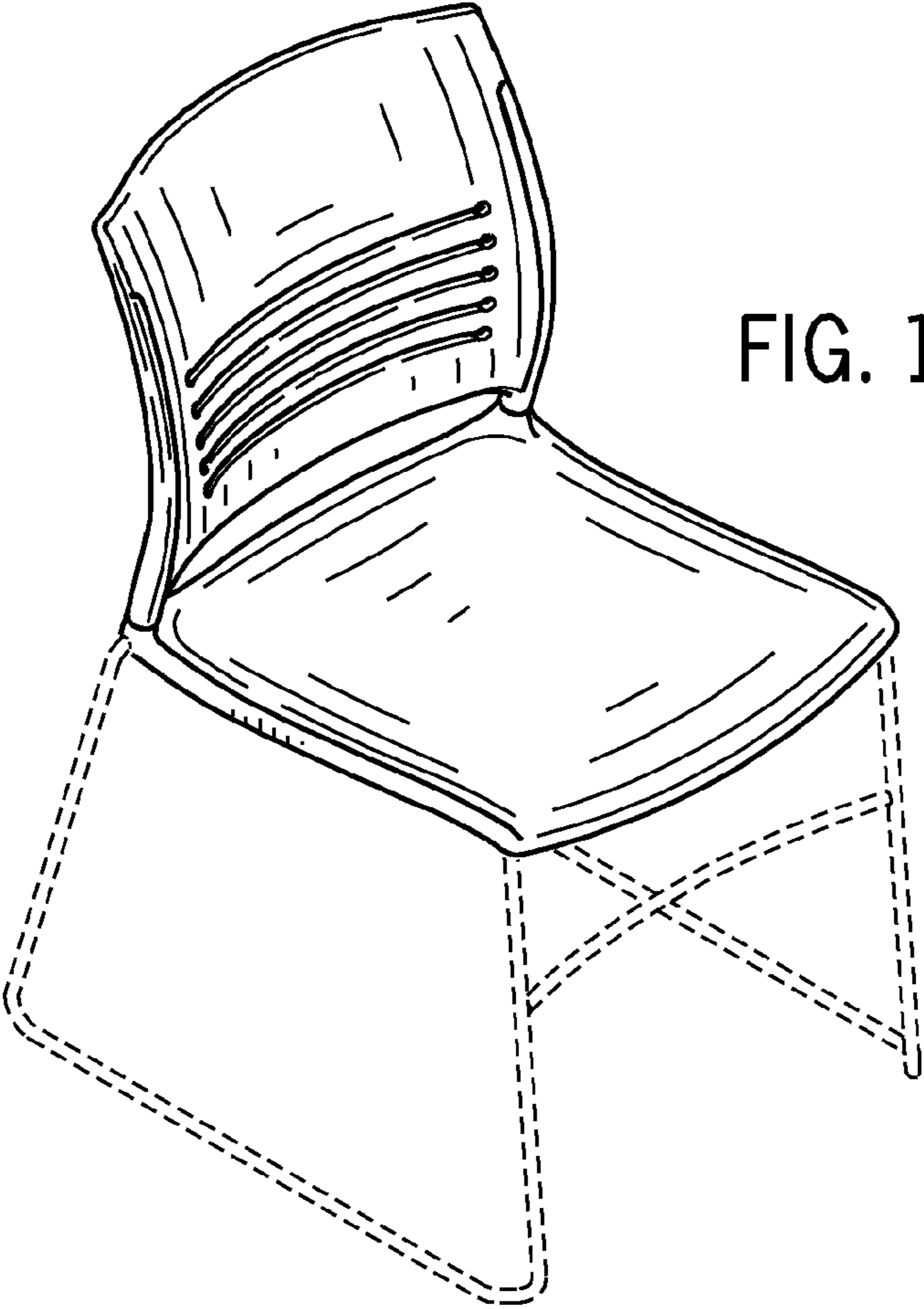


FIG. 1

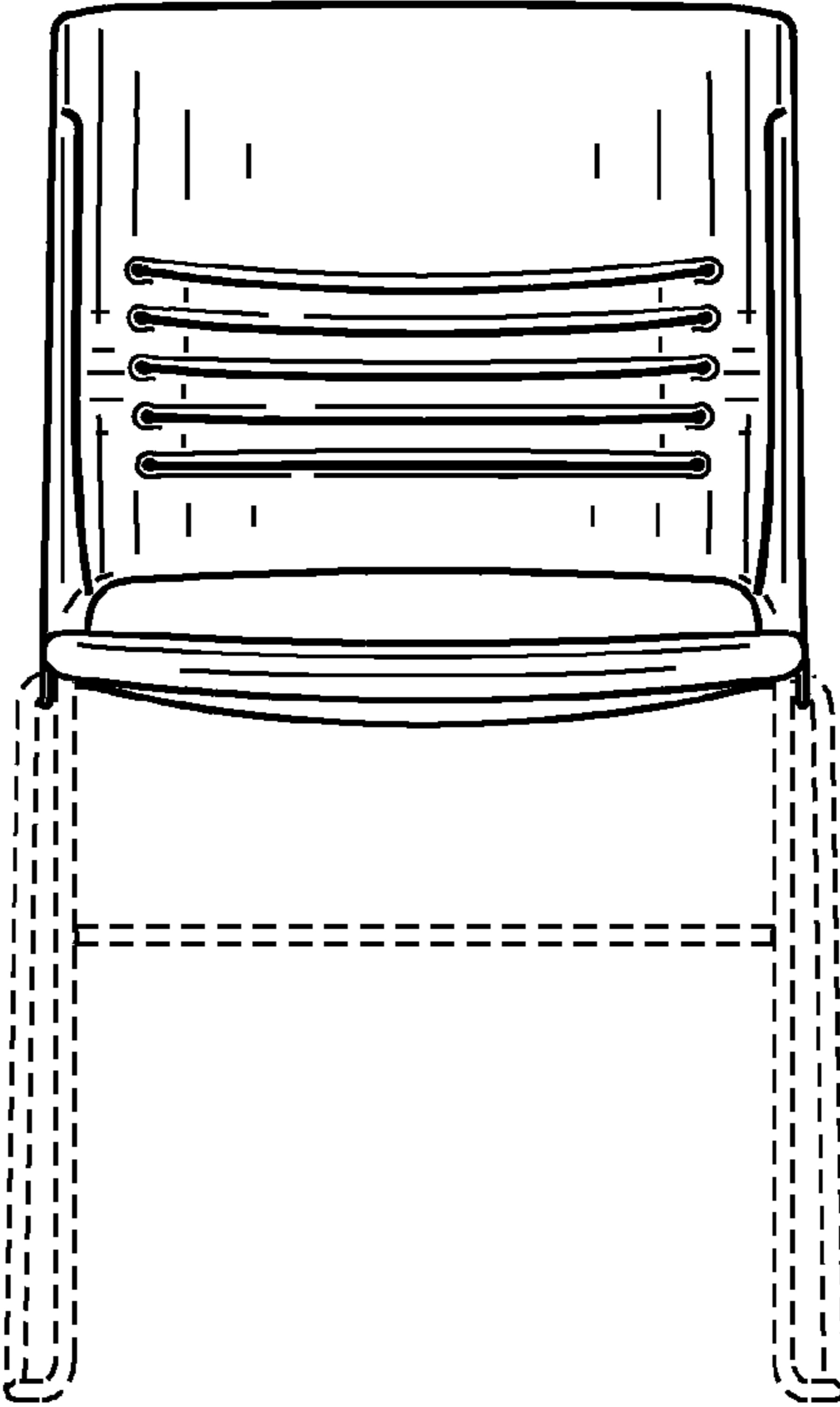


FIG. 2

FIG. 3

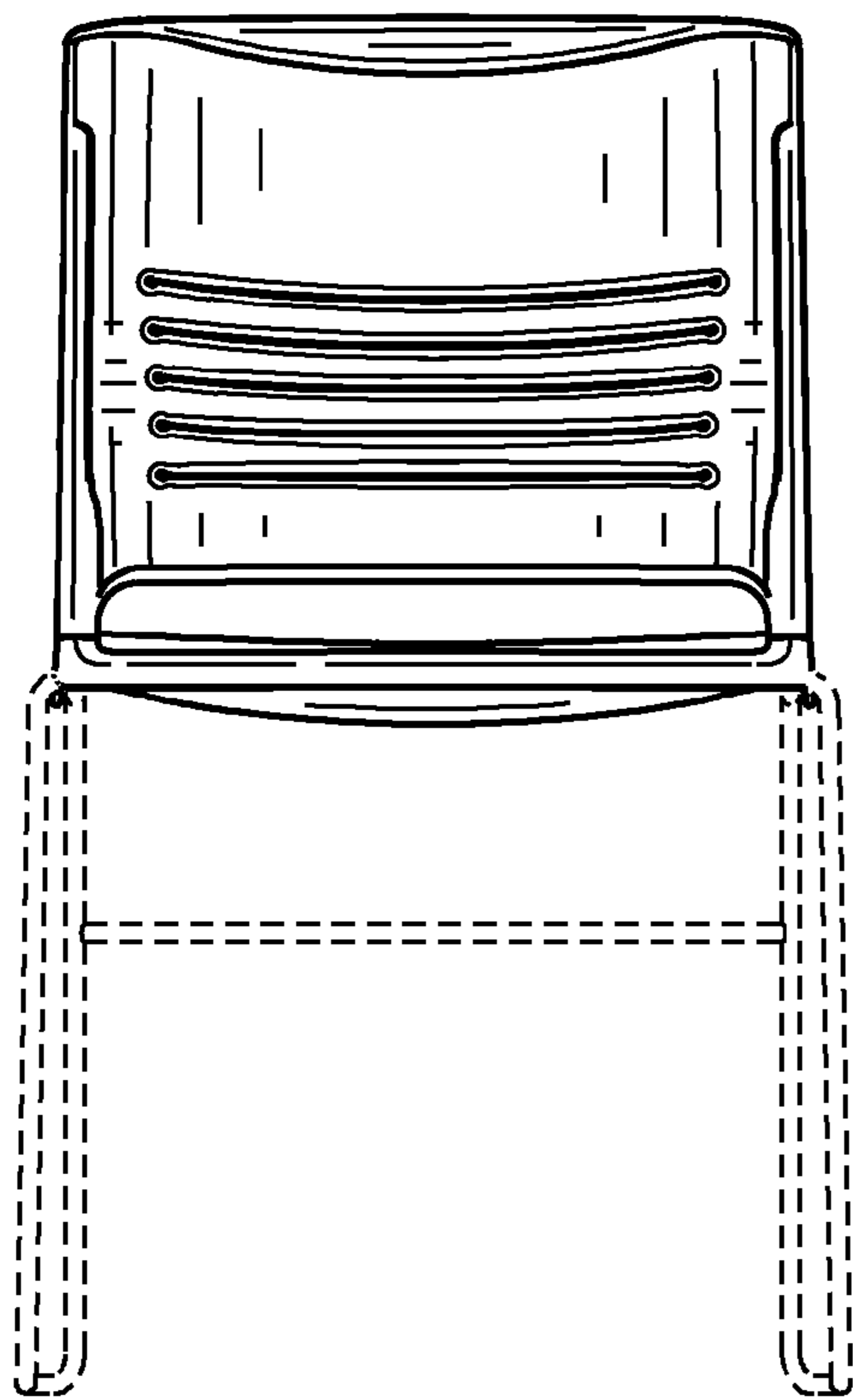
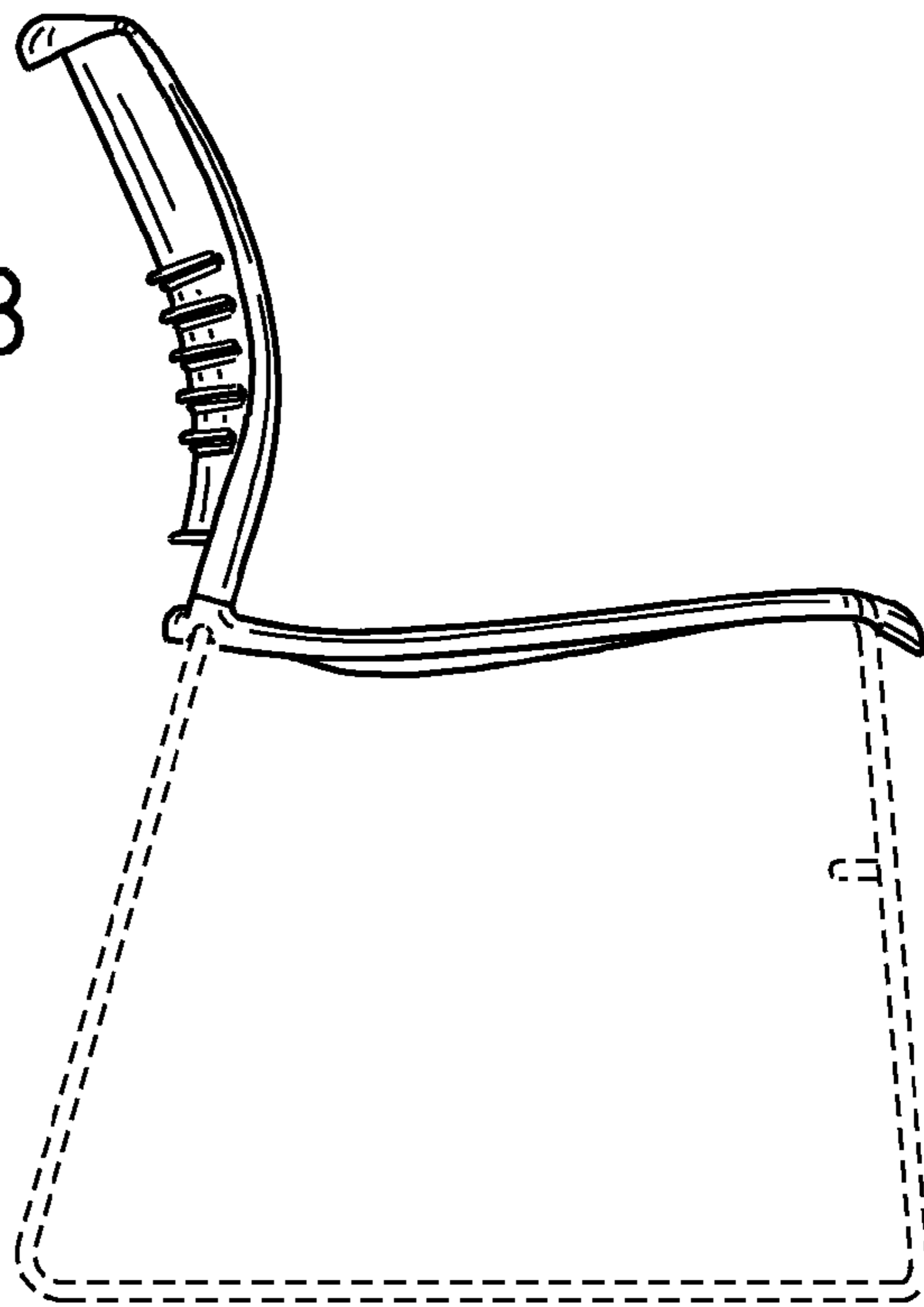


FIG. 4

FIG. 5

