



US00D638640S

(12) **United States Design Patent**
Molayem

(10) **Patent No.:** **US D638,640 S**

(45) **Date of Patent:** **** May 31, 2011**

(54) **MULTIPLE TIER CORNER RACK**

(75) **Inventor:** **Daryoosh Molayem**, Beverly Hills, CA (US)

(73) **Assignee:** **Tabletops Unlimited, Inc.**, Carson, CA (US)

(**) **Term:** **14 Years**

(21) **Appl. No.:** **29/365,990**

(22) **Filed:** **Jul. 16, 2010**

(51) **LOC (9) Cl.** **06-04**

(52) **U.S. Cl.** **D6/465**

(58) **Field of Classification Search** D6/396,
D6/449, 450, 454-463, 472, 473, 479, 511,
D6/566; 108/107, 193; 211/1, 13.1, 22,
211/24, 26, 41.12, 41.4, 49.1, 52, 53, 59.2,
211/85, 85.26, 85.31, 85.4, 85.8, 86.01, 90.03,
211/112, 119, 107, 134, 135, 149, 151, 153,
211/175, 181.1, 182, 186-189; 99/340

See application file for complete search history.

(56) **References Cited**

U.S. PATENT DOCUMENTS

3,224,357	A	*	12/1965	Rubens	99/340
D304,398	S	*	11/1989	Goetz	D6/479
D327,795	S	*	7/1992	Kee	D6/465
D388,992	S	*	1/1998	Weisburn et al.	D6/562
D514,847	S	*	2/2006	Peller et al.	D6/465
D522,271	S	*	6/2006	Arippol	D6/465
D572,940	S	*	7/2008	Murray	D6/462
D587,502	S	*	3/2009	Welsch et al.	D6/511

OTHER PUBLICATIONS

“Rack (CR3620)”; Product details found at <http://dongxiangwujin.en.made-in-china.com> on Mar. 3, 2010, 2 pages.

* cited by examiner

Primary Examiner — Mary Ann Calabrese

(74) *Attorney, Agent, or Firm* — Blakely, Sokoloff, Taylor & Zafman LLP

(57) **CLAIM**

The ornamental design for a multiple tier corner rack, as shown and described.

DESCRIPTION

FIG. 1 is a perspective view of a multiple tier corner rack with three tiers.

FIG. 2 is a front view of the rack of FIG. 1.

FIG. 3 is a rear view of the rack of FIG. 1.

FIG. 4 is a left side view of the rack of FIG. 1.

FIG. 5 is a right side view of the rack of FIG. 1.

FIG. 6 is a top view of the rack of FIG. 1.

FIG. 7 is a bottom view of the rack of FIG. 1.

FIG. 8 is a perspective view of an alternate embodiment of a multiple tier corner rack with two tiers.

FIG. 9 is a front view of the rack of FIG. 8.

FIG. 10 is a rear view of the rack of FIG. 8.

FIG. 11 is a left side view of the rack of FIG. 8.

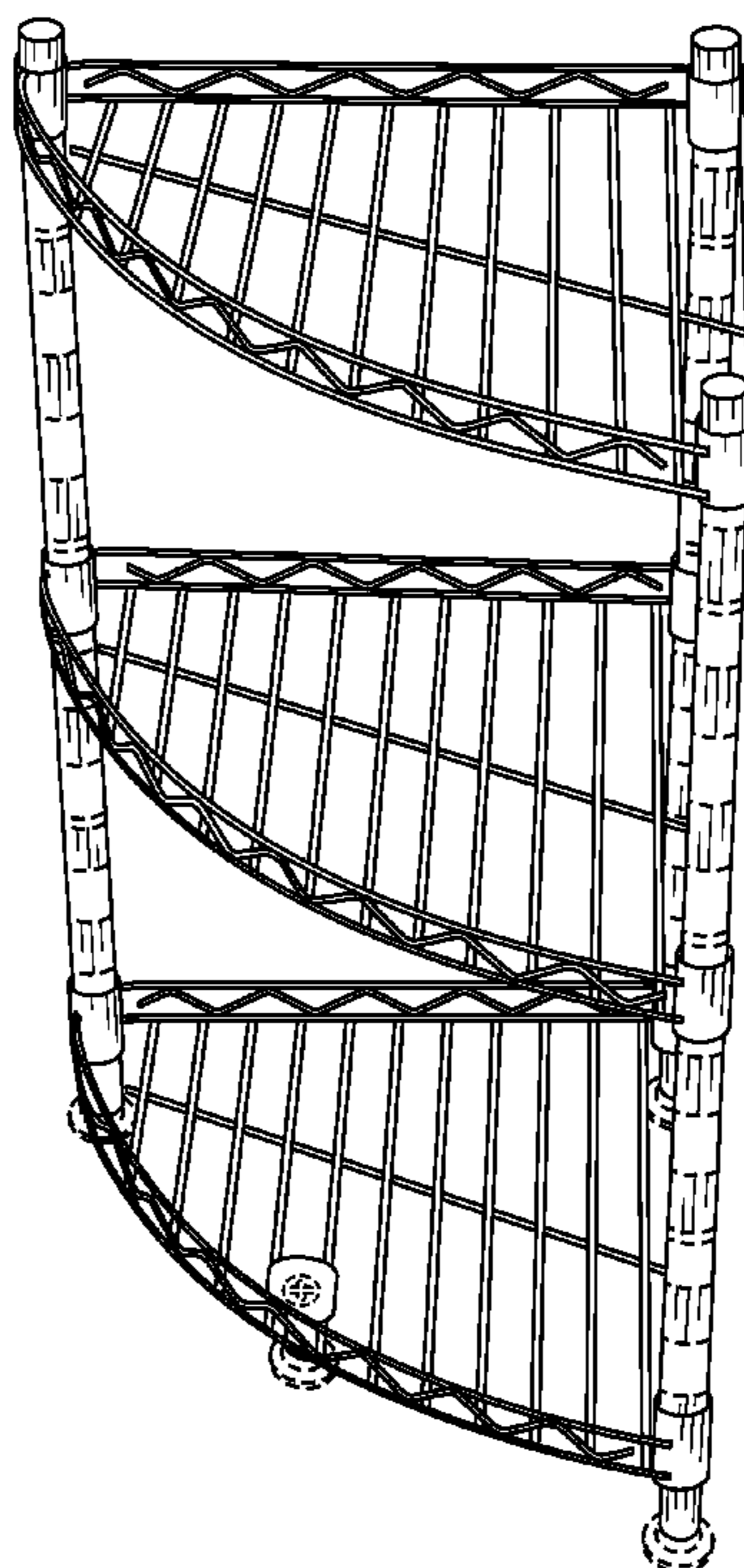
FIG. 12 is a right side view of the rack of FIG. 8.

FIG. 13 is a top view of the rack of FIG. 8; and,

FIG. 14 is a bottom view of the rack of FIG. 8.

In the drawings, the broken lines represent features that form no part of the claimed design.

1 Claim, 14 Drawing Sheets



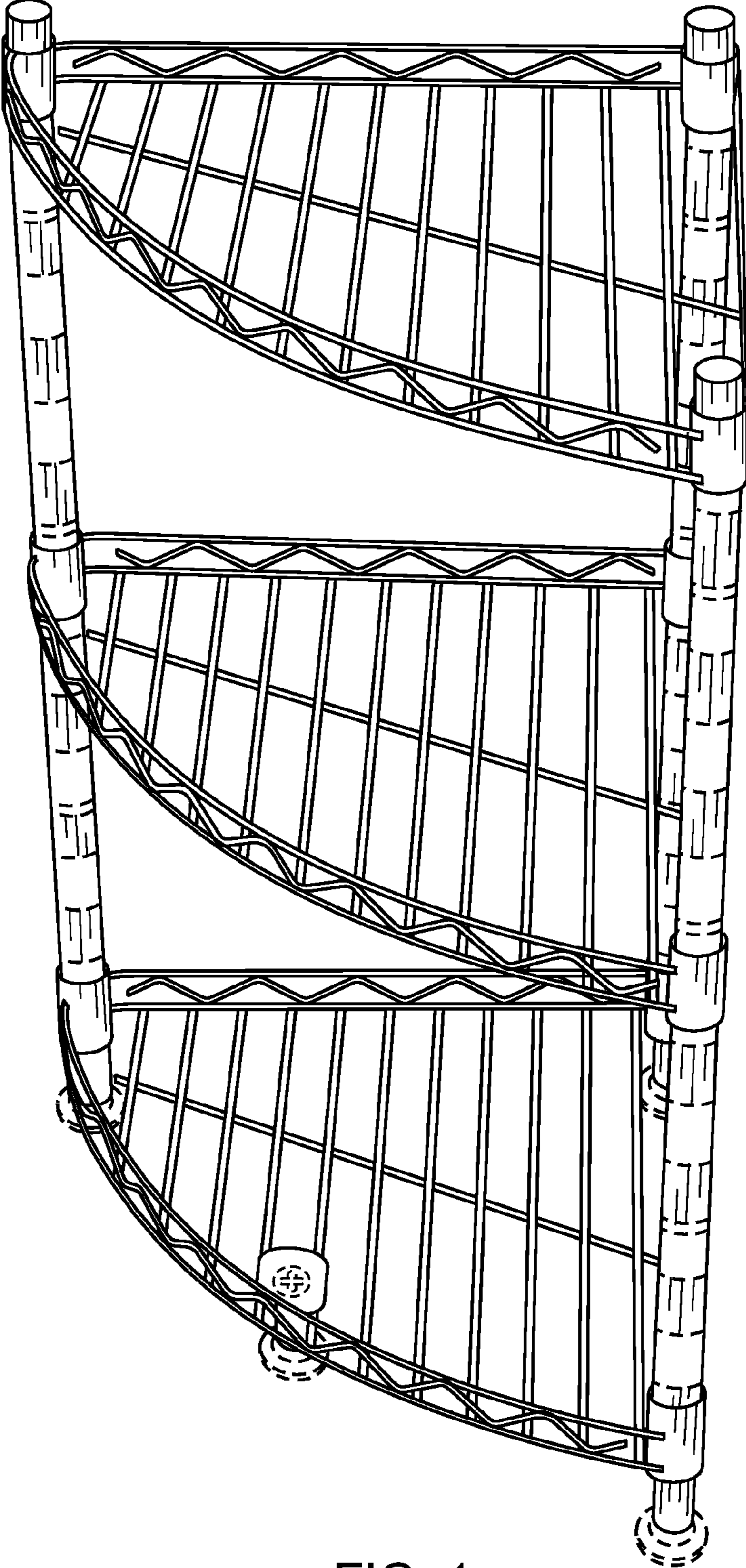


FIG. 1

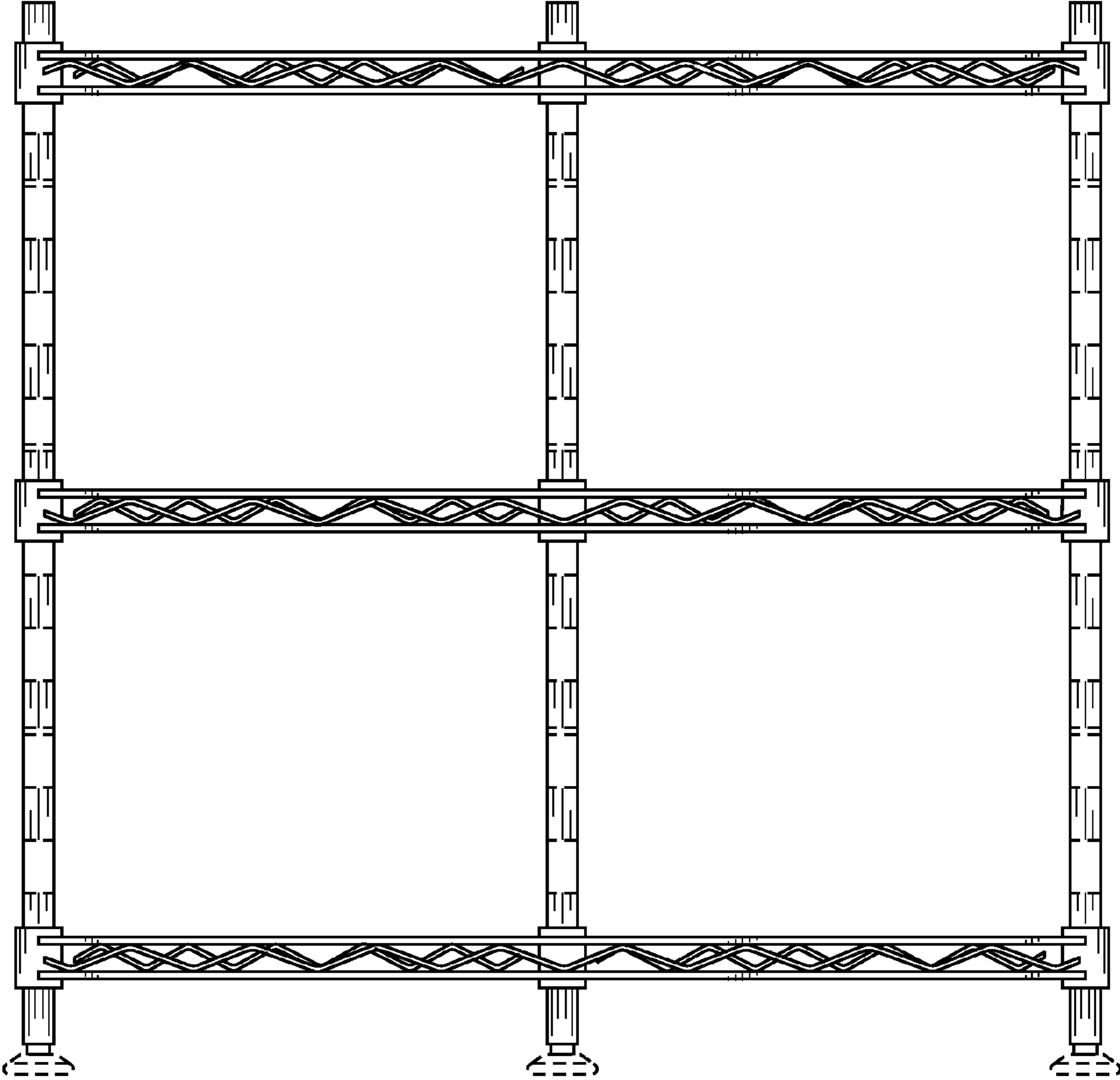


FIG. 2

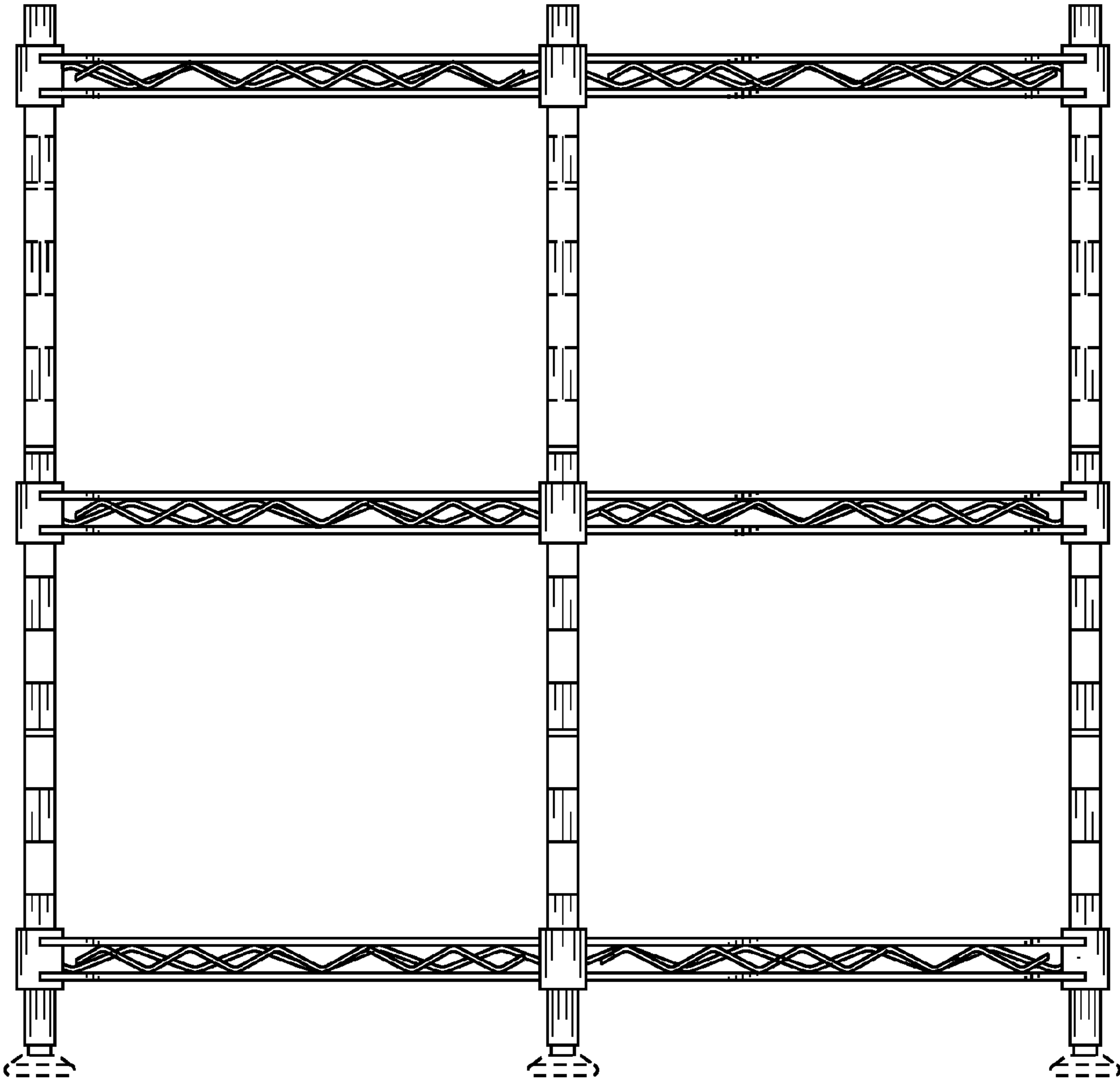


FIG. 3

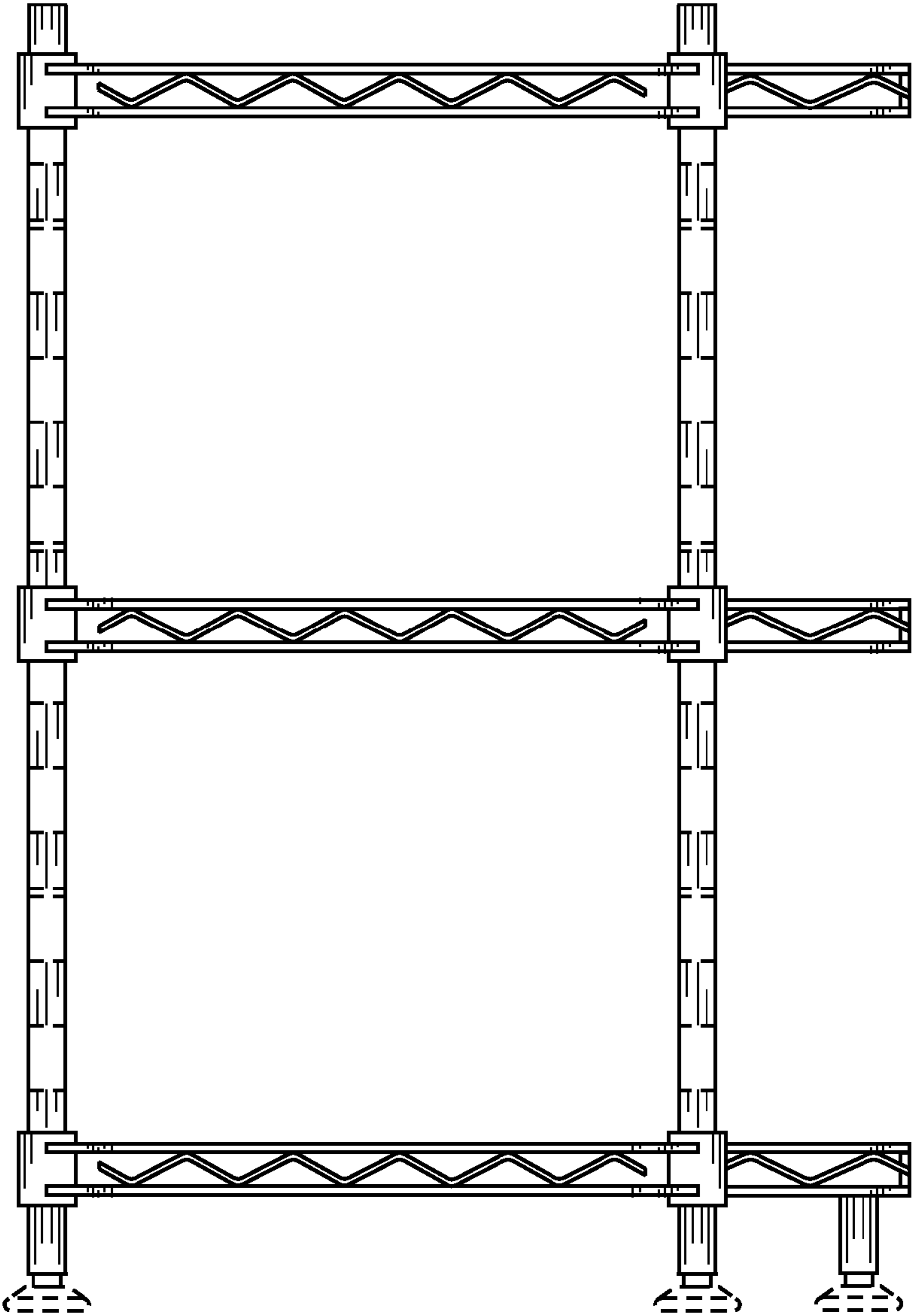


FIG. 4

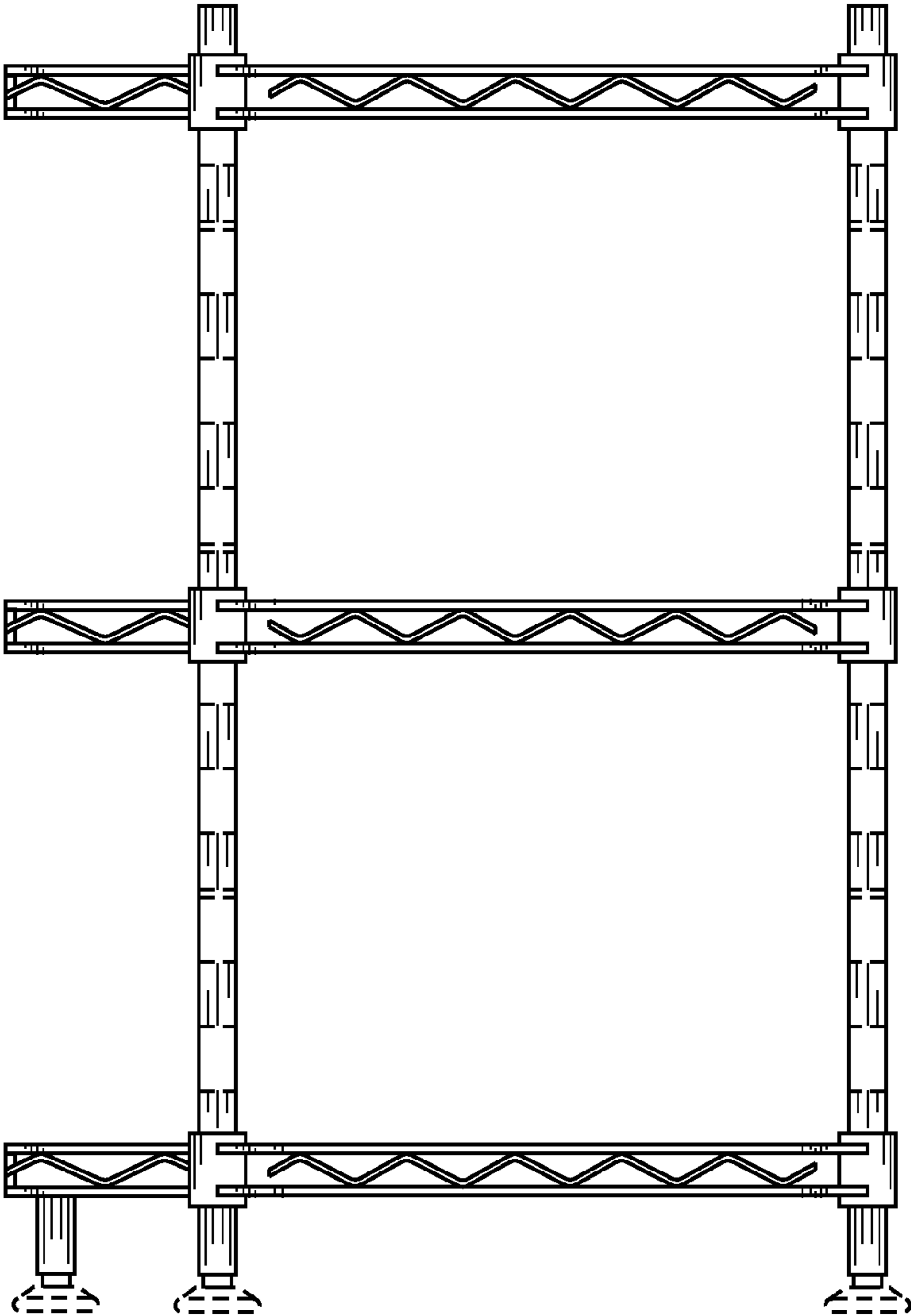


FIG. 5

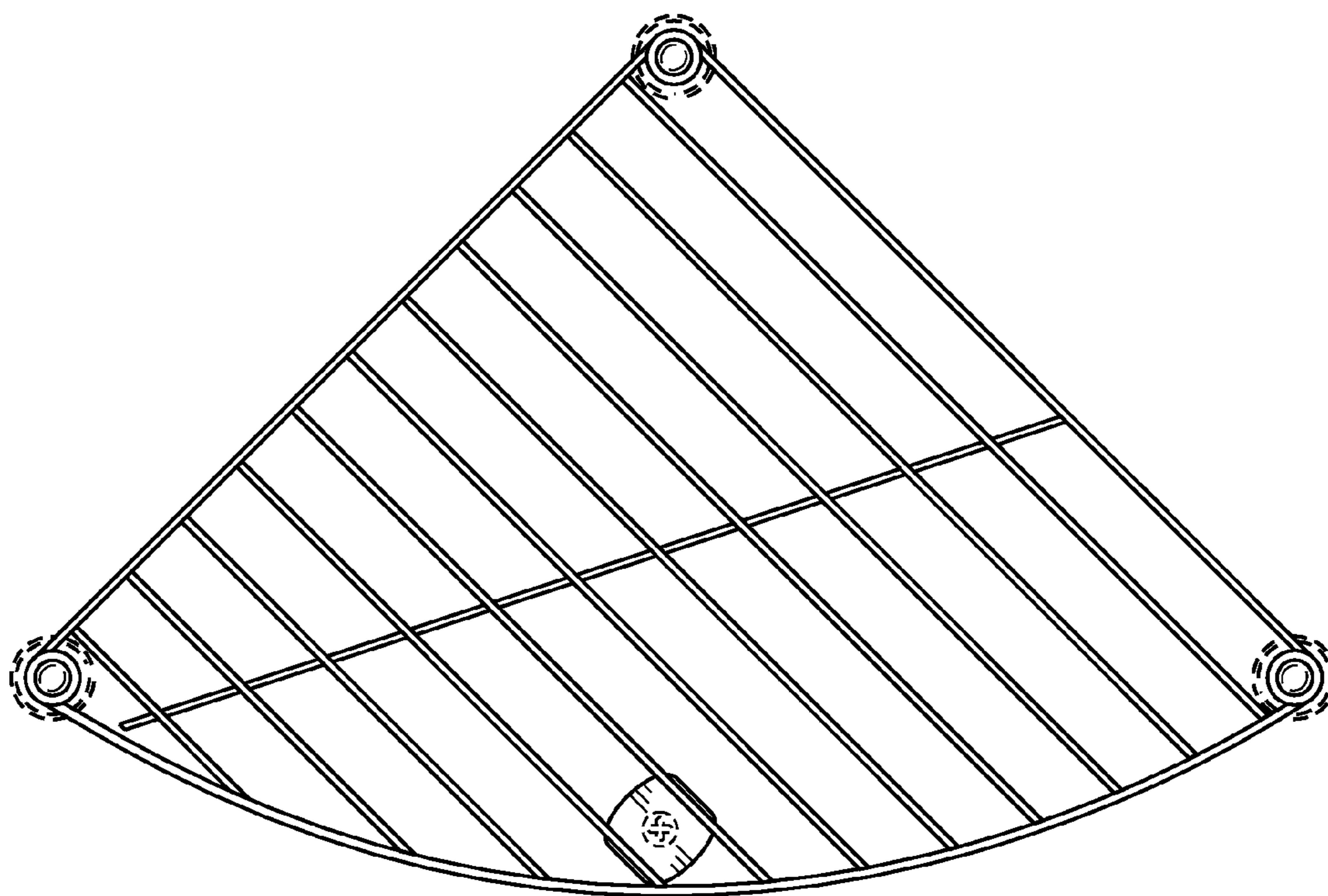


FIG. 6

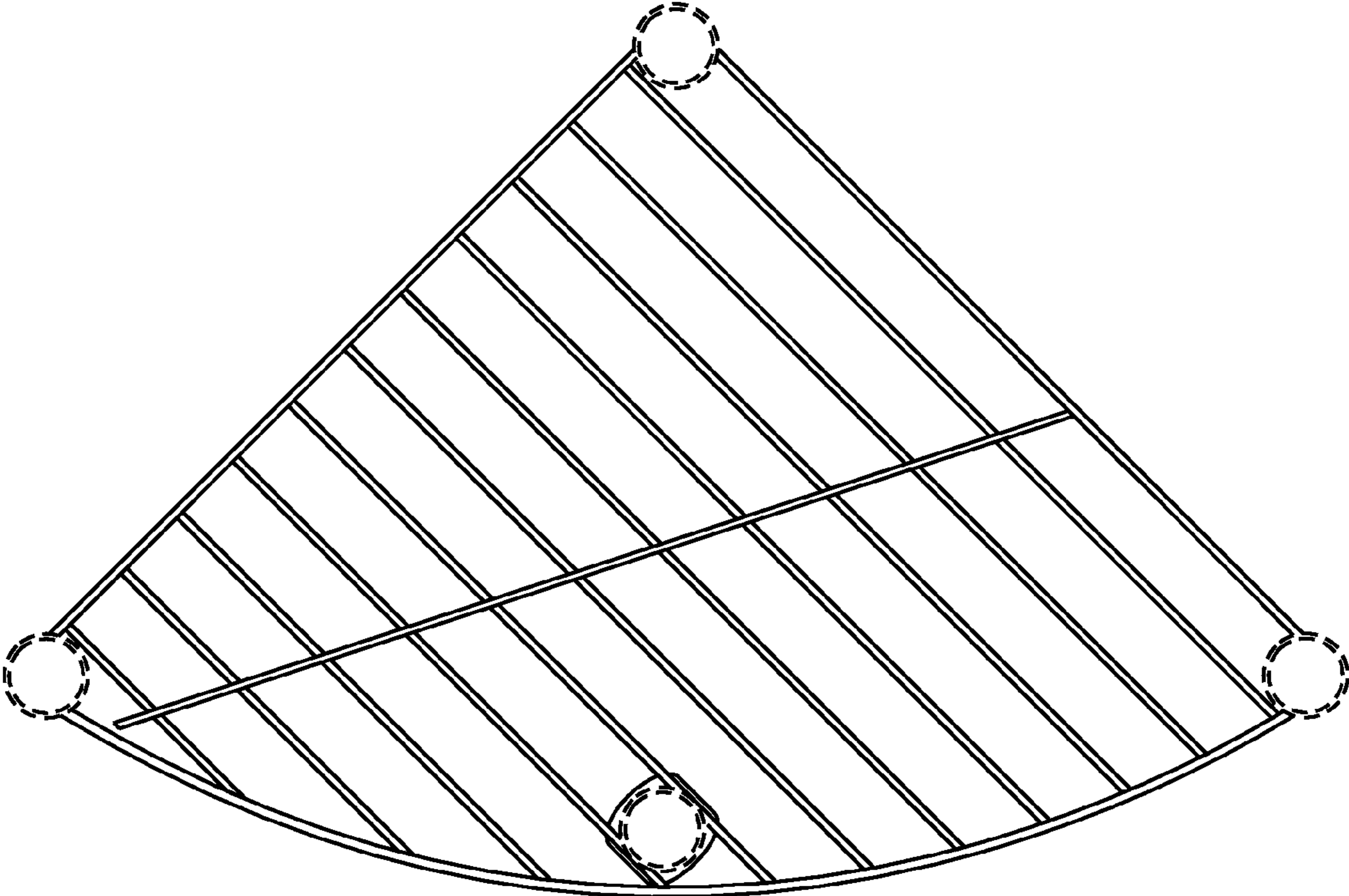


FIG. 7

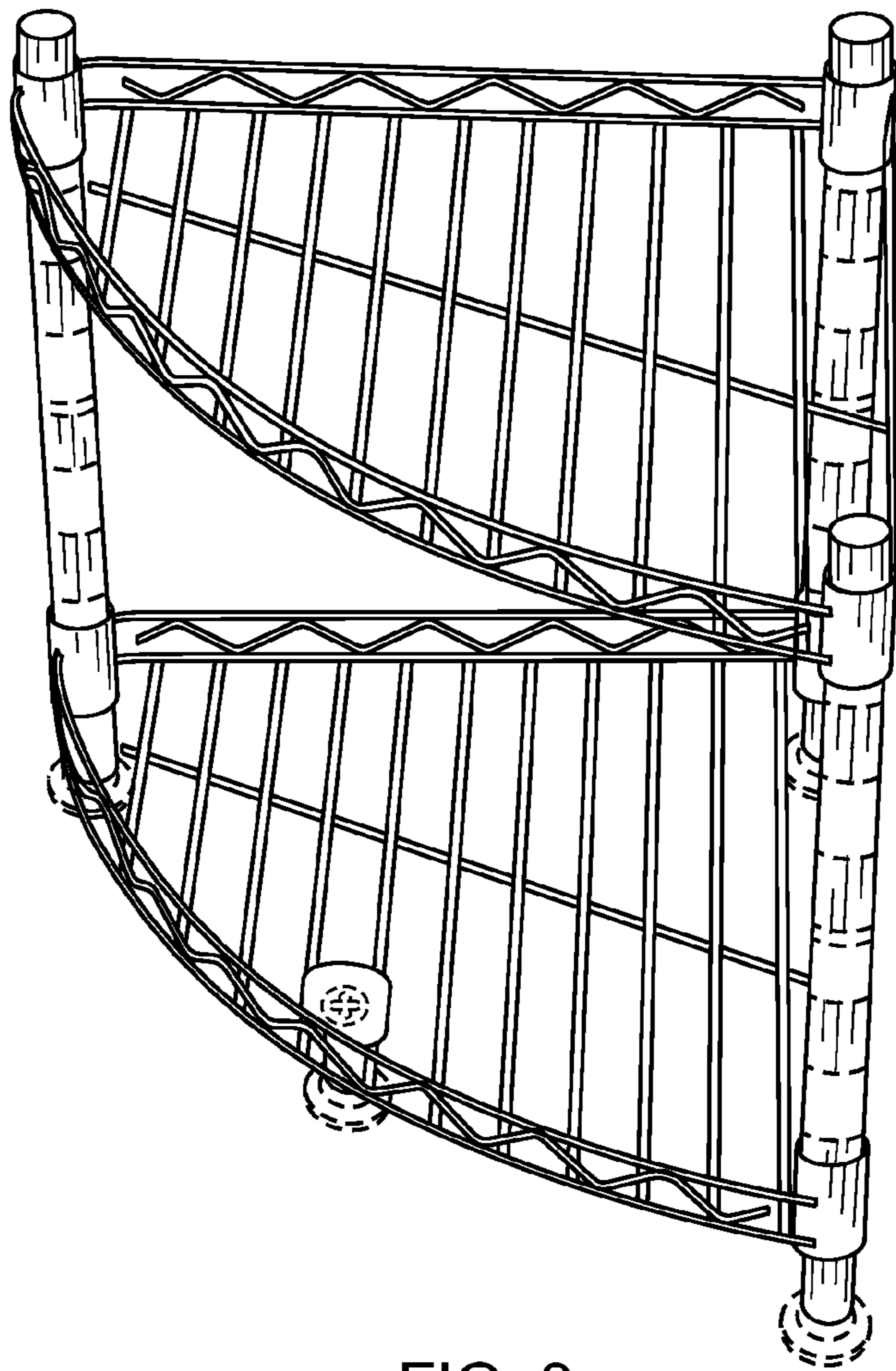


FIG. 8

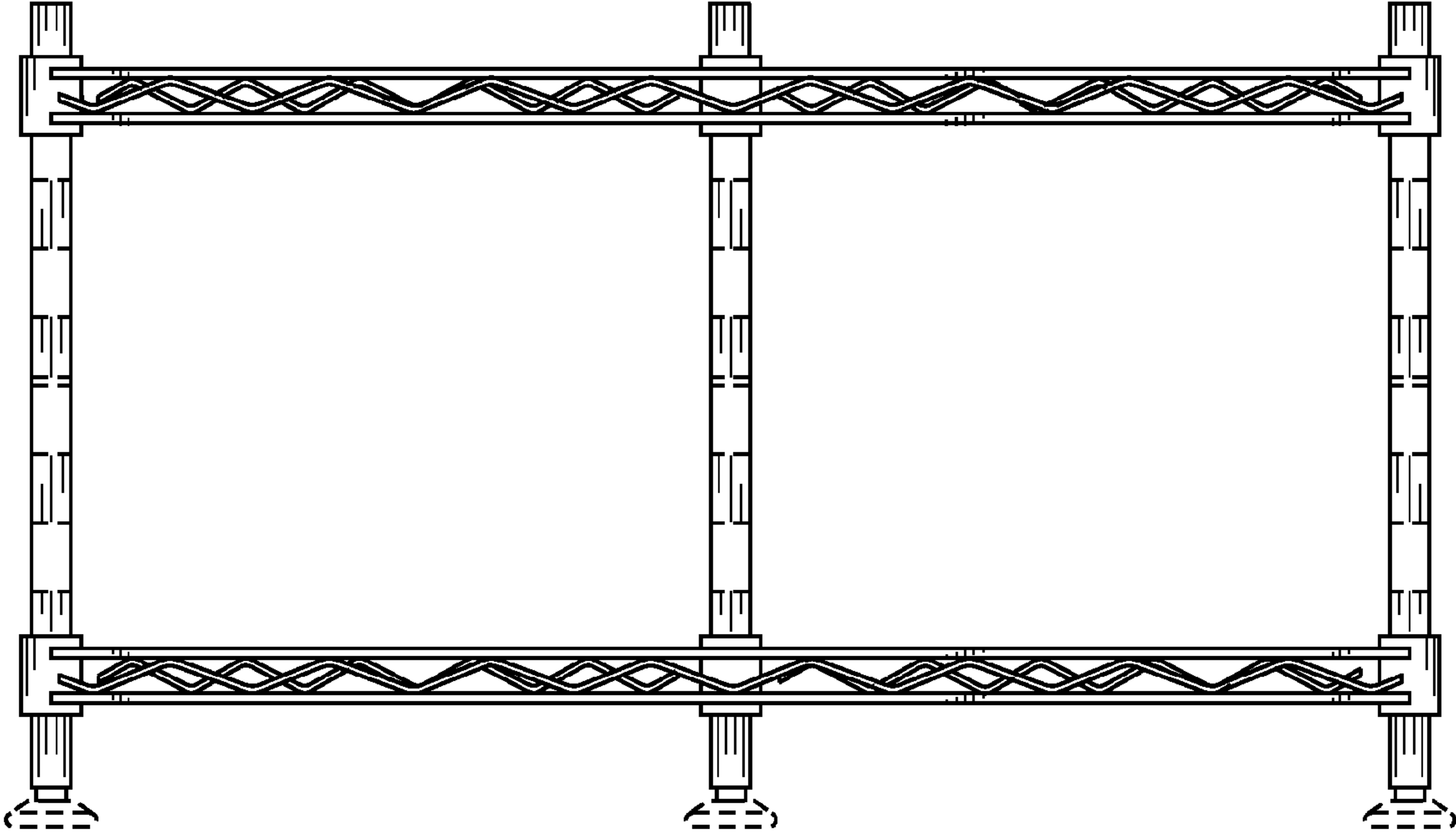


FIG. 9

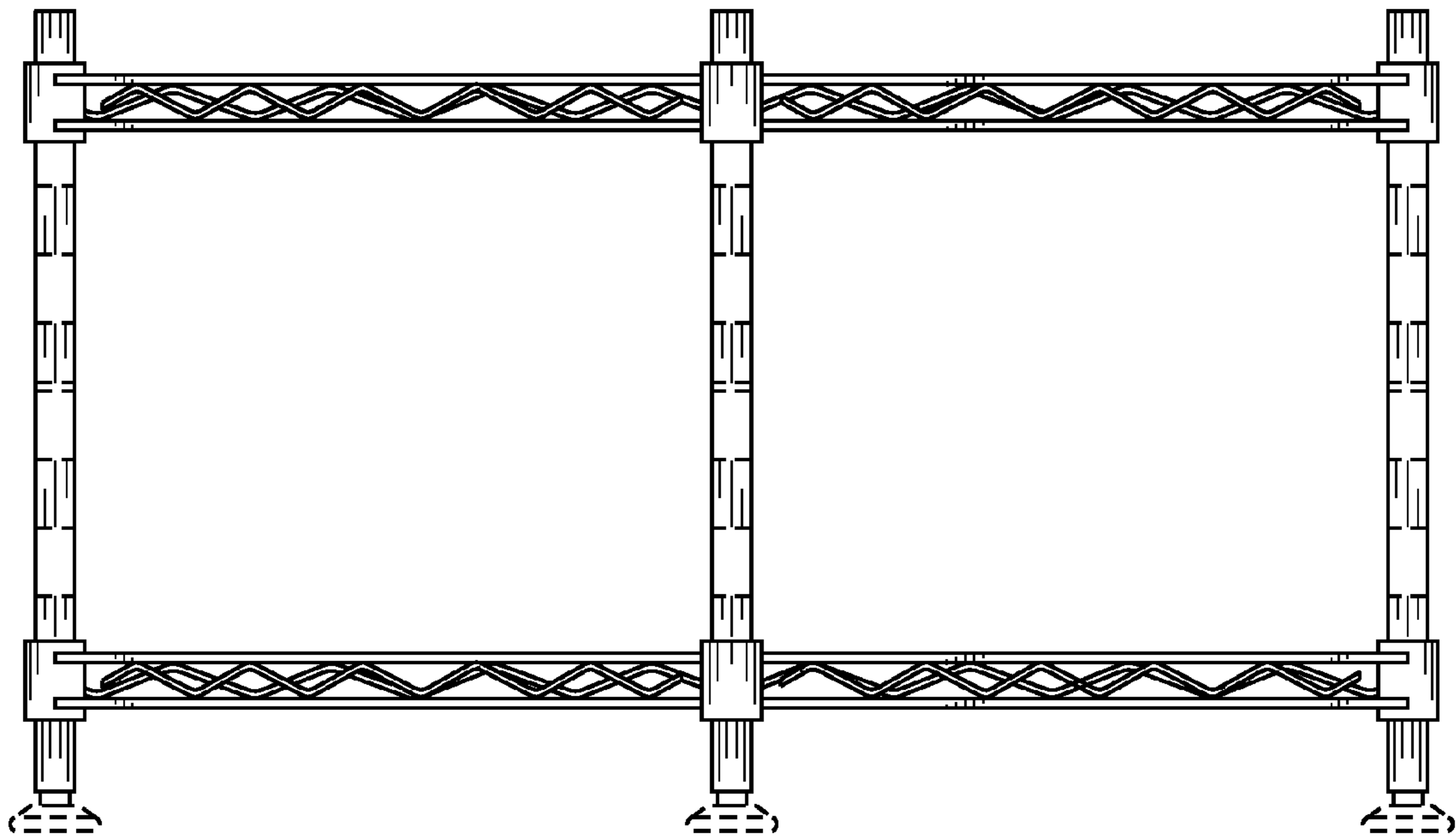


FIG. 10

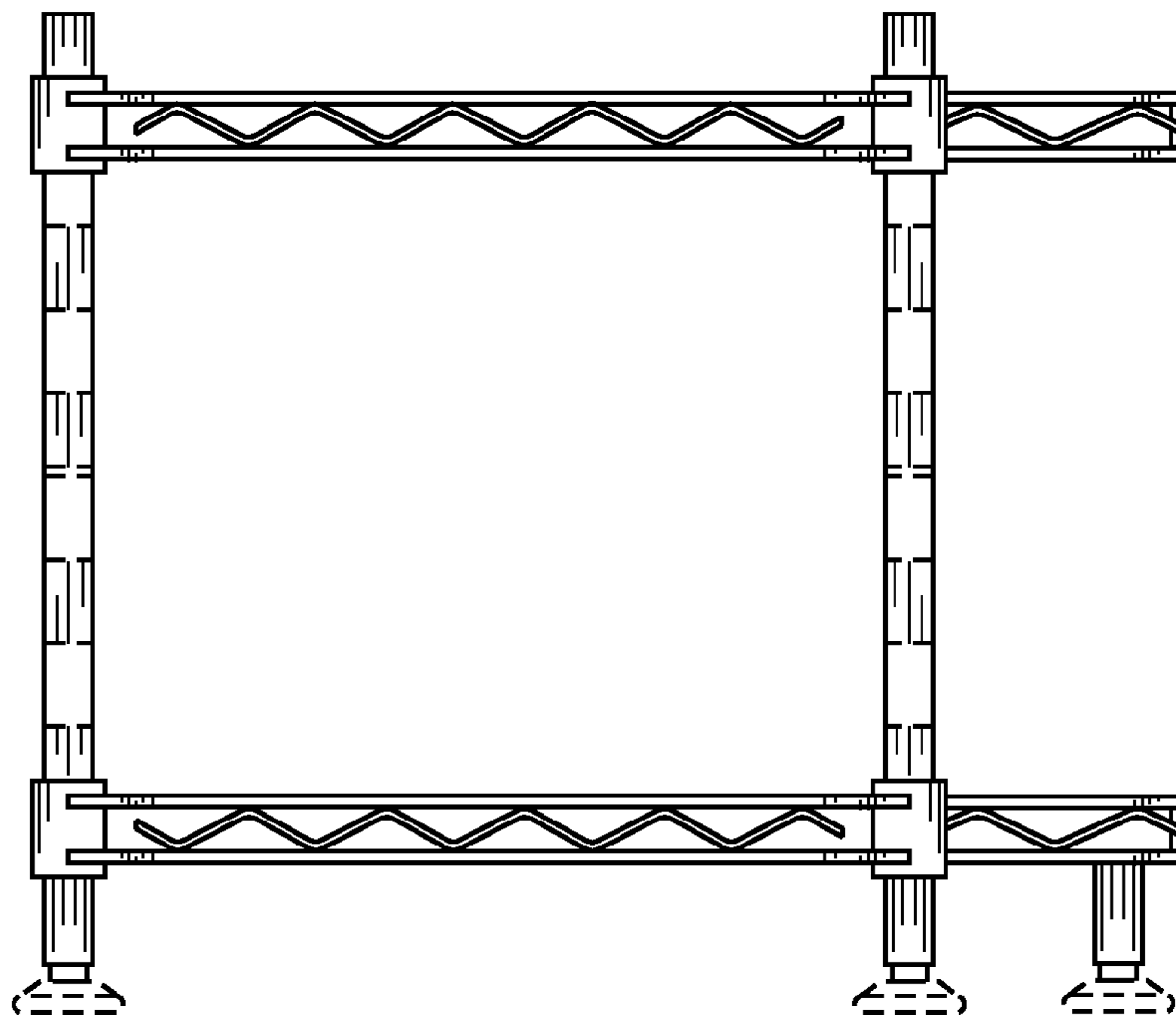


FIG. 11

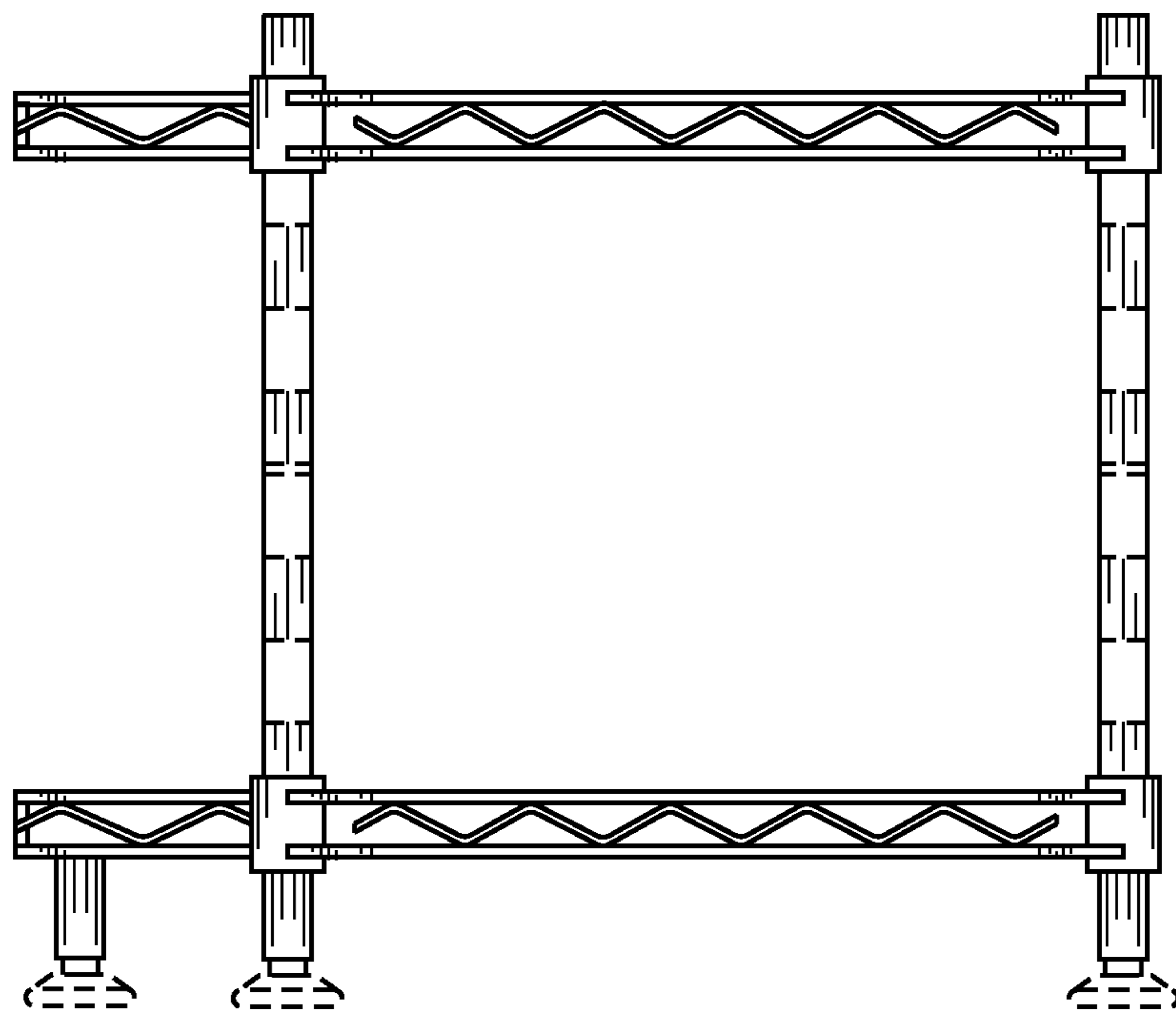


FIG. 12

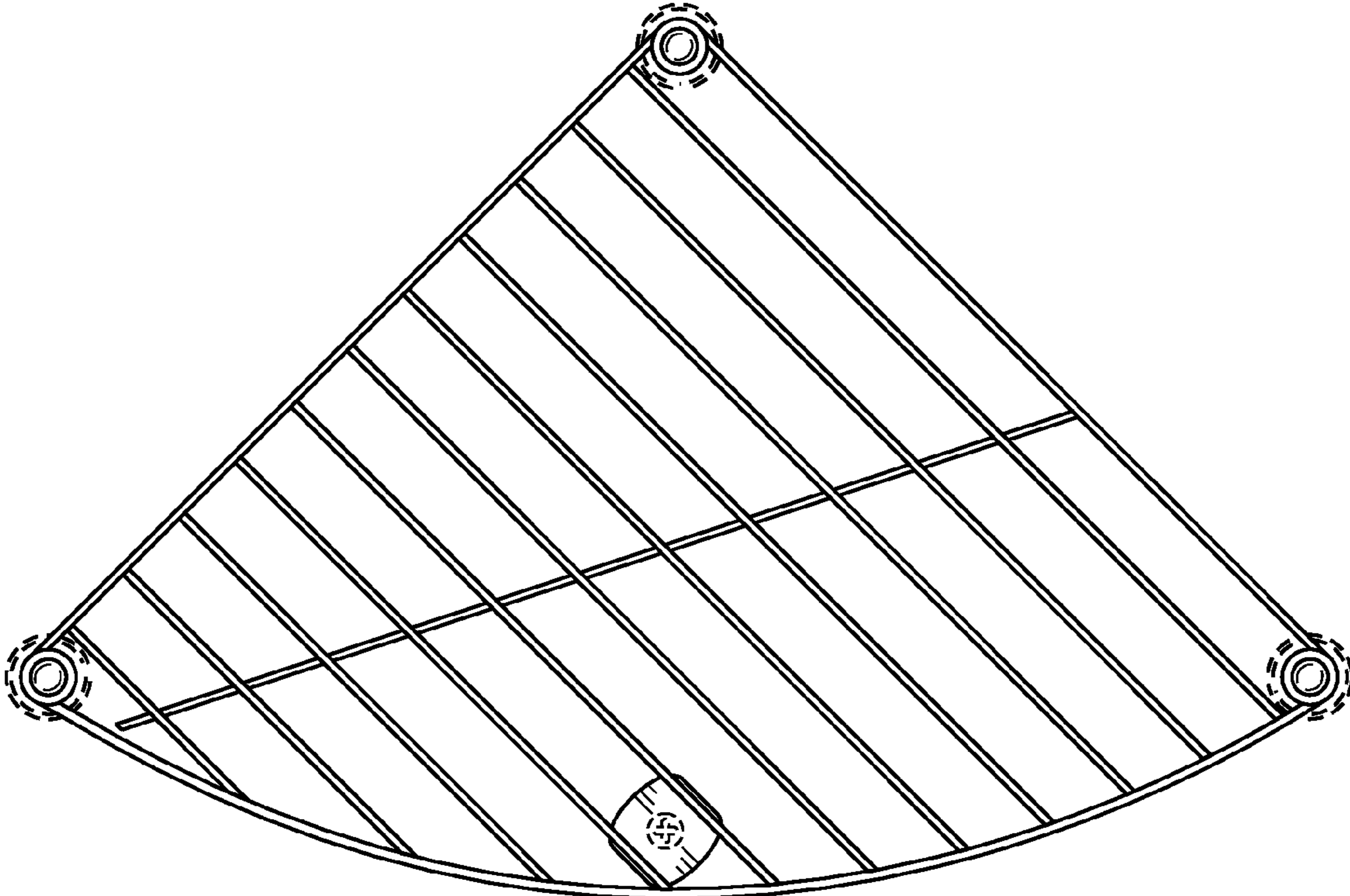


FIG. 13

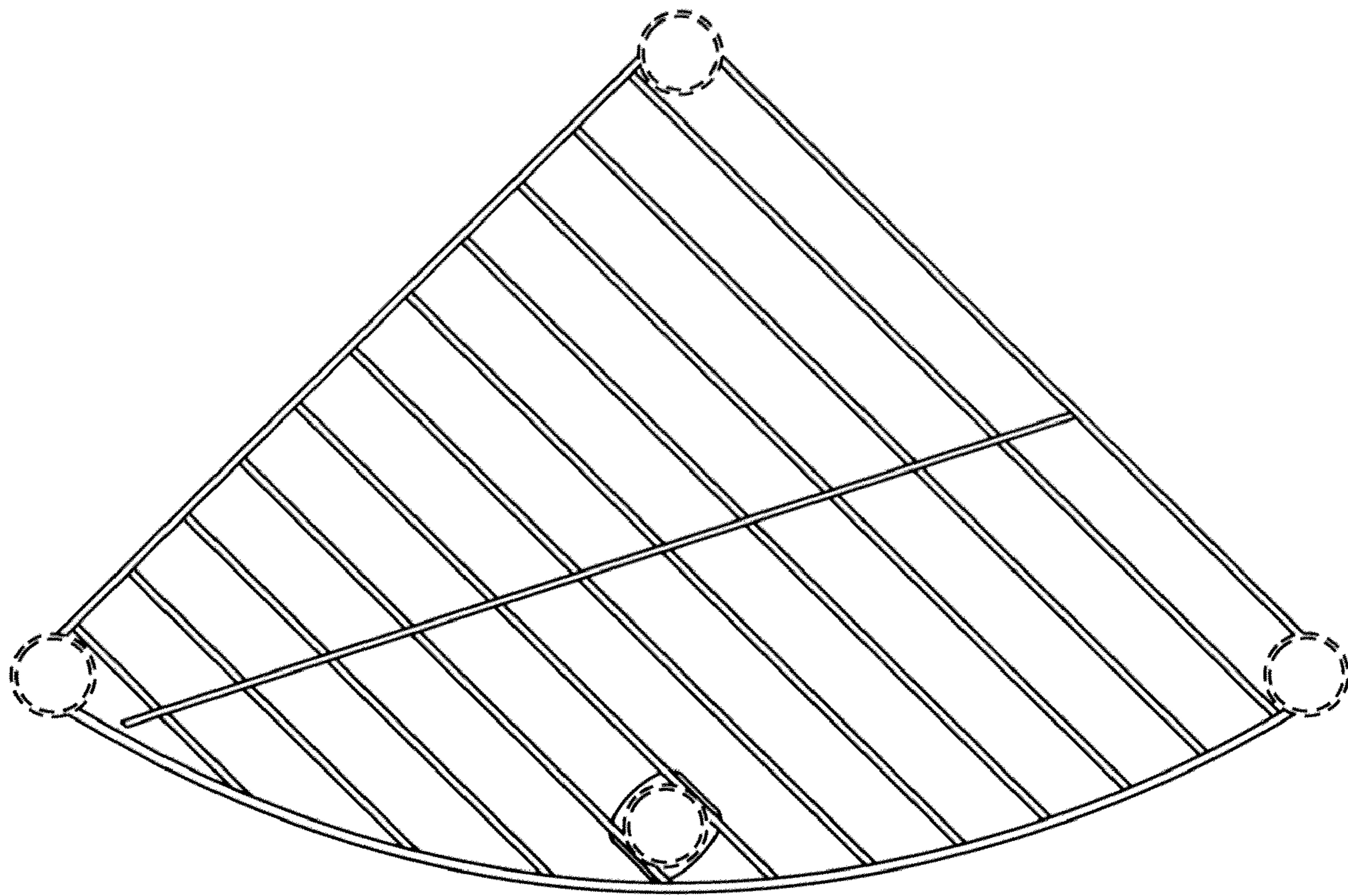


FIG. 14