



US00D638638S

(12) **United States Design Patent**
Fitzpatrick et al.

(10) **Patent No.:** **US D638,638 S**
(45) **Date of Patent:** **** May 31, 2011**

(54) **FOLDABLE STAND**

(76) Inventors: **Garett Fitzpatrick**, Brier, WA (US);
Morgan E. Featherstone, Everett, WA (US)

(**) Term: **14 Years**

(21) Appl. No.: **29/379,246**

(22) Filed: **Nov. 16, 2010**

Related U.S. Application Data

(63) Continuation of application No. 12/886,495, filed on Sep. 20, 2010.

(51) **LOC (9) Cl.** **06-03**

(52) **U.S. Cl.** **D6/429**

(58) **Field of Classification Search** D6/419,
D6/406.1, 429, 486, 487; 248/165, 167,
248/453, 460, 284.1; 211/13.1; 108/115,
108/139, 144.11, 146, 147.19

See application file for complete search history.

(56) **References Cited**

U.S. PATENT DOCUMENTS

D239,899 S	*	5/1976	Malcolm	D6/419
D248,200 S		6/1978	Stratton		
D254,069 S		1/1980	Haley		
D270,588 S	*	9/1983	Kemple	D6/486
D290,706 S		7/1987	Peart		
D296,160 S		6/1988	Rhodes		
D314,873 S	*	2/1991	Wenger et al.	D6/419
D364,857 S		12/1995	Chou		
D407,408 S		3/1999	Hoff		
D410,910 S		6/1999	Martell		
D435,380 S		12/2000	Smith		
D467,754 S	*	12/2002	Chen	D6/429
D481,038 S		10/2003	Borsboom		
D491,001 S		6/2004	Adams		
D495,337 S		8/2004	Zerman		
D517,607 S		3/2006	Teeter		
D539,805 S		4/2007	Li		

D539,806 S	4/2007	Yu
D558,771 S	1/2008	Derry
D558,773 S	1/2008	Derry
D559,850 S	1/2008	Lye
D573,150 S	7/2008	Sween
D579,690 S	11/2008	O'Con
D589,964 S	4/2009	Heggland
D590,833 S	4/2009	O'Connor
D592,188 S	5/2009	Huang
D612,169 S	3/2010	Chang

FOREIGN PATENT DOCUMENTS

CN 101044444 A 9/2007

(Continued)

OTHER PUBLICATIONS

"Campagnolo New Style Skewers," Universal Cycles, Portland, Oregon <http://www.universalcycles.com/shopping/product_details.php?id=16370&category=160> [retrieved Nov. 15, 2010], 2 pages.

Primary Examiner — Janice E Seeger

(74) *Attorney, Agent, or Firm* — Christensen O'Connor Johnson Kindness PLLC

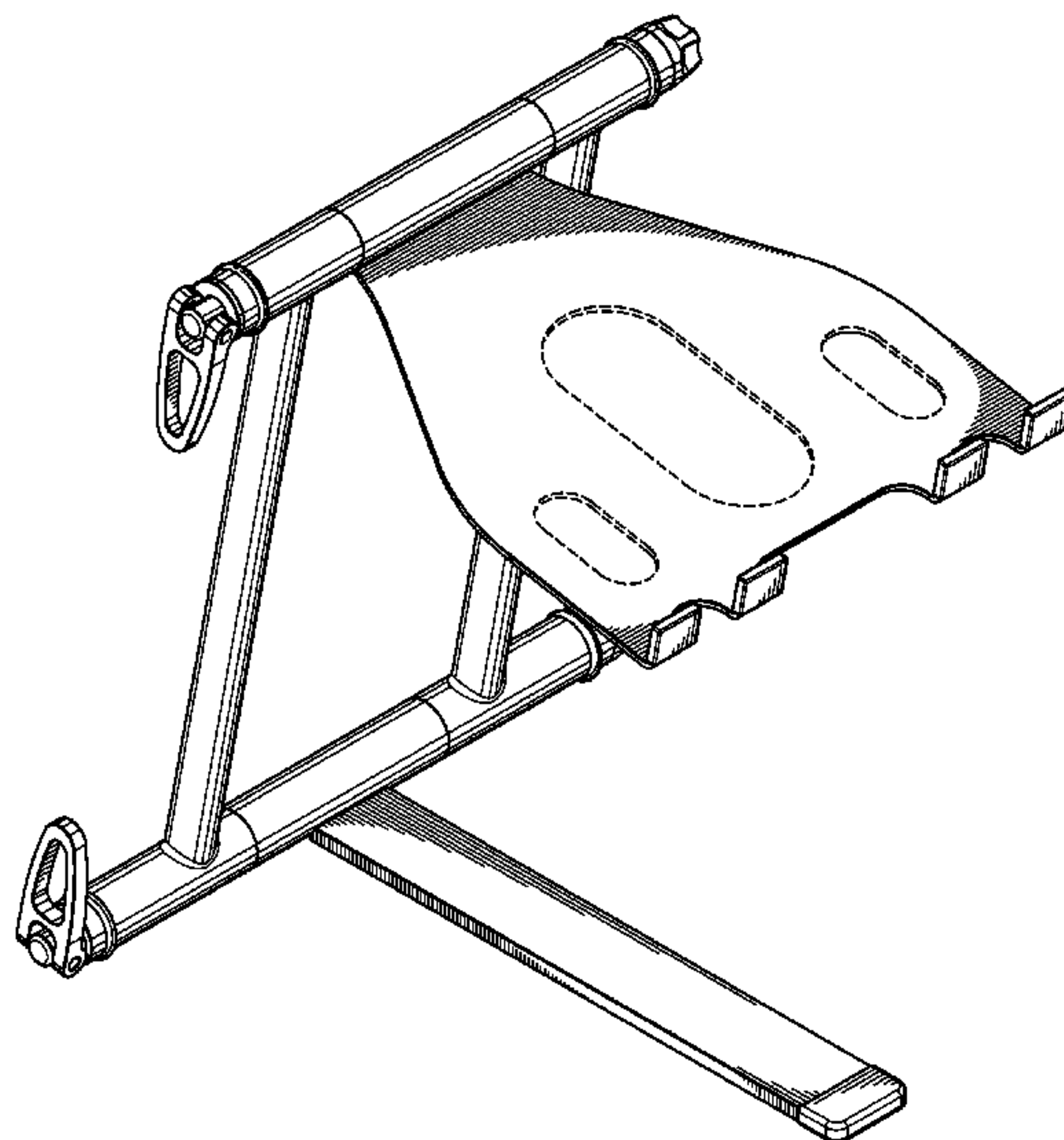
(57) **CLAIM**

The ornamental design of a foldable stand, as shown and described.

DESCRIPTION

FIG. 1 is a rear perspective view of a foldable stand showing our new design;
FIG. 2 is a rear view of the foldable stand of FIG. 1;
FIG. 3 is a front view of the foldable stand of FIG. 1;
FIG. 4 is a side view of the foldable stand of FIG. 1;
FIG. 5 is a side view of the foldable stand of FIG. 1 taken from the side opposite from FIG. 4;
FIG. 6 is a top view of the foldable stand of FIG. 1; and,
FIG. 7 is a bottom view of the foldable stand of FIG. 1.
The broken lines are for environmental purposes only and form no part of the claimed design.

1 Claim, 7 Drawing Sheets



US D638,638 S

Page 2

FOREIGN PATENT DOCUMENTS					
CN	101701661 A	5/2010	JP	2000-207054 A	7/2000
DE	10 2008 019 060 A1	10/2008	KR	100924616 B1	10/2009
GB	2 426 445 A	11/2006	WO	2008/145777 A1	12/2008
			* cited by examiner		

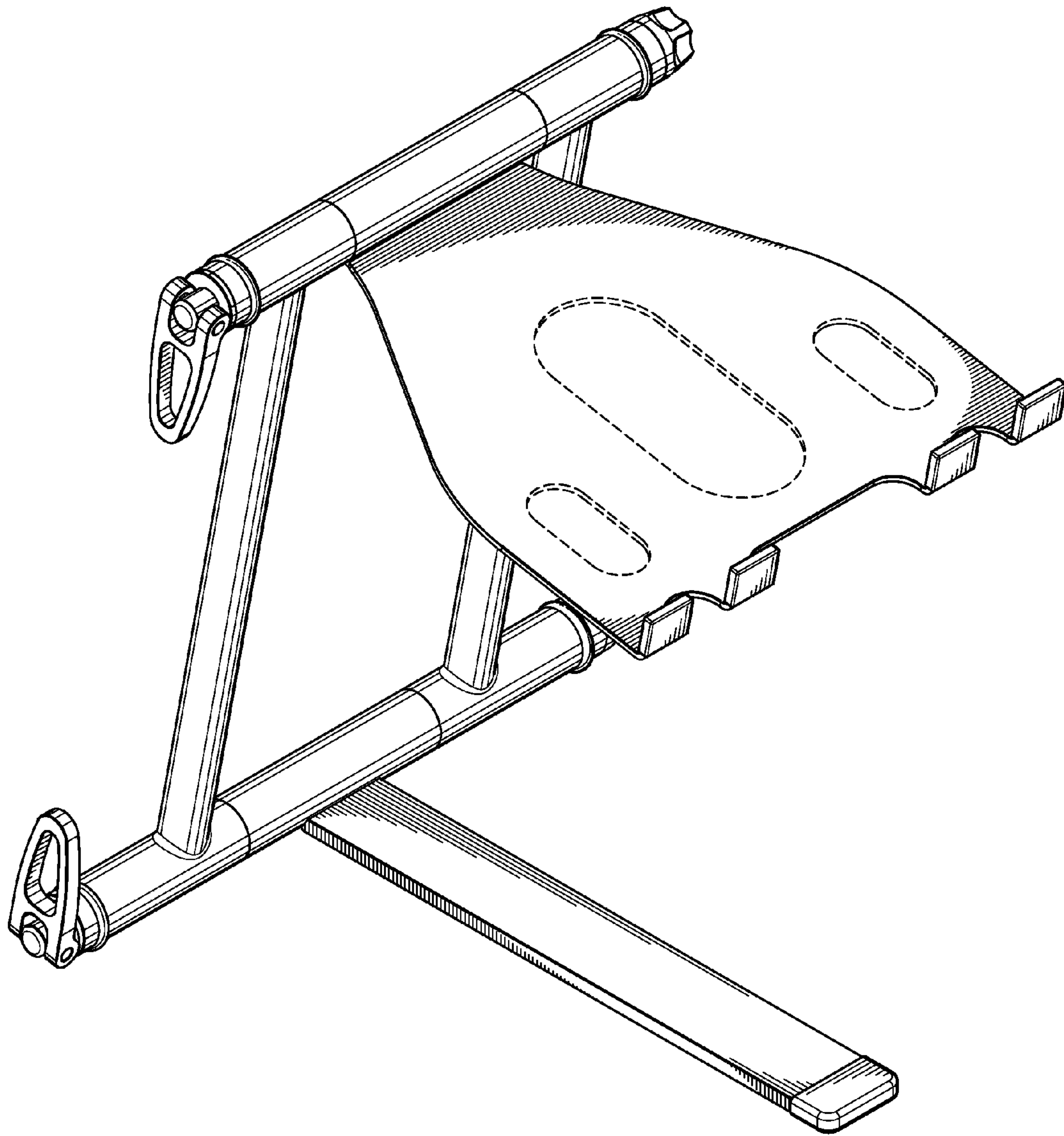


Fig. 1.

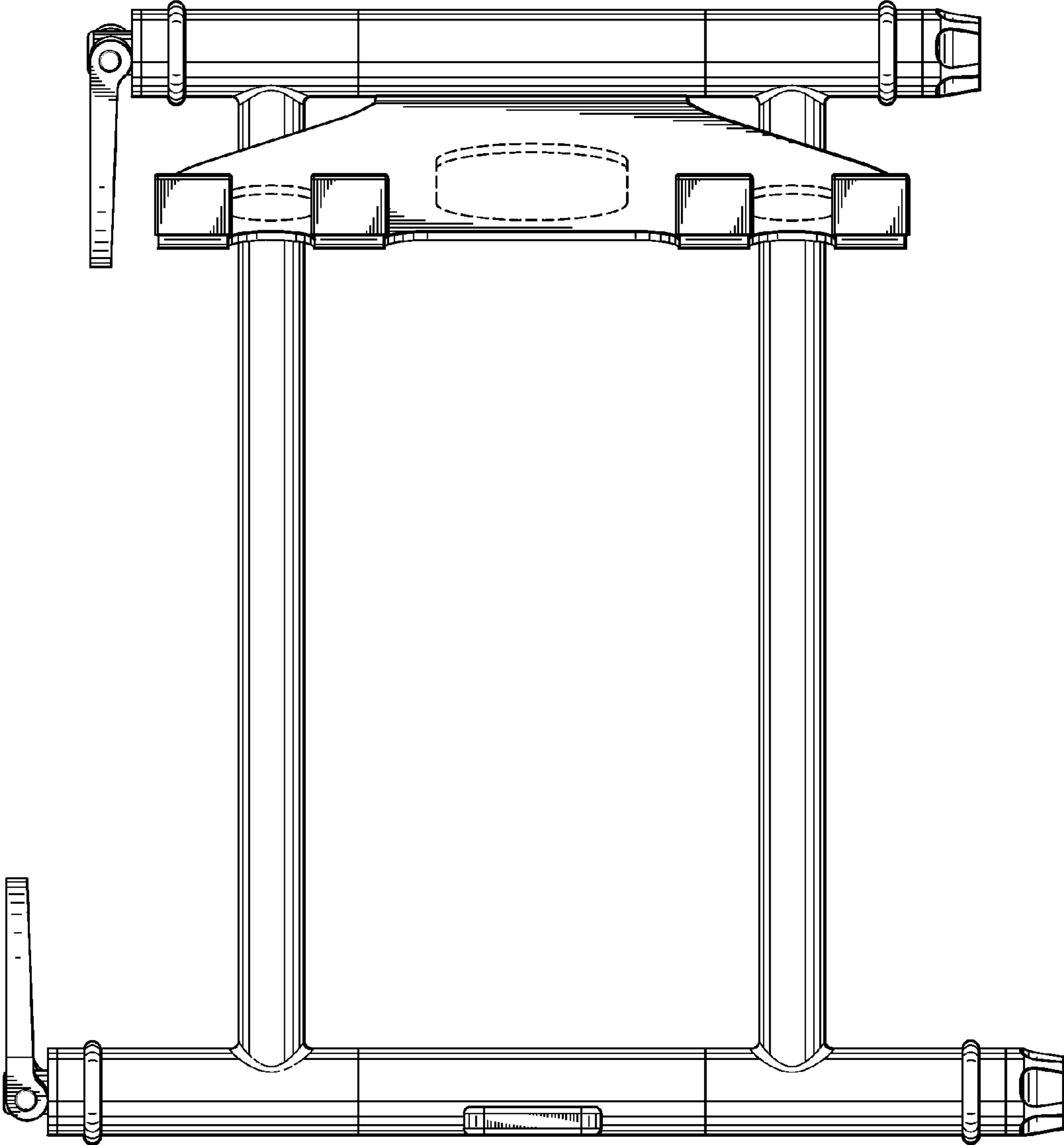


Fig. 2.

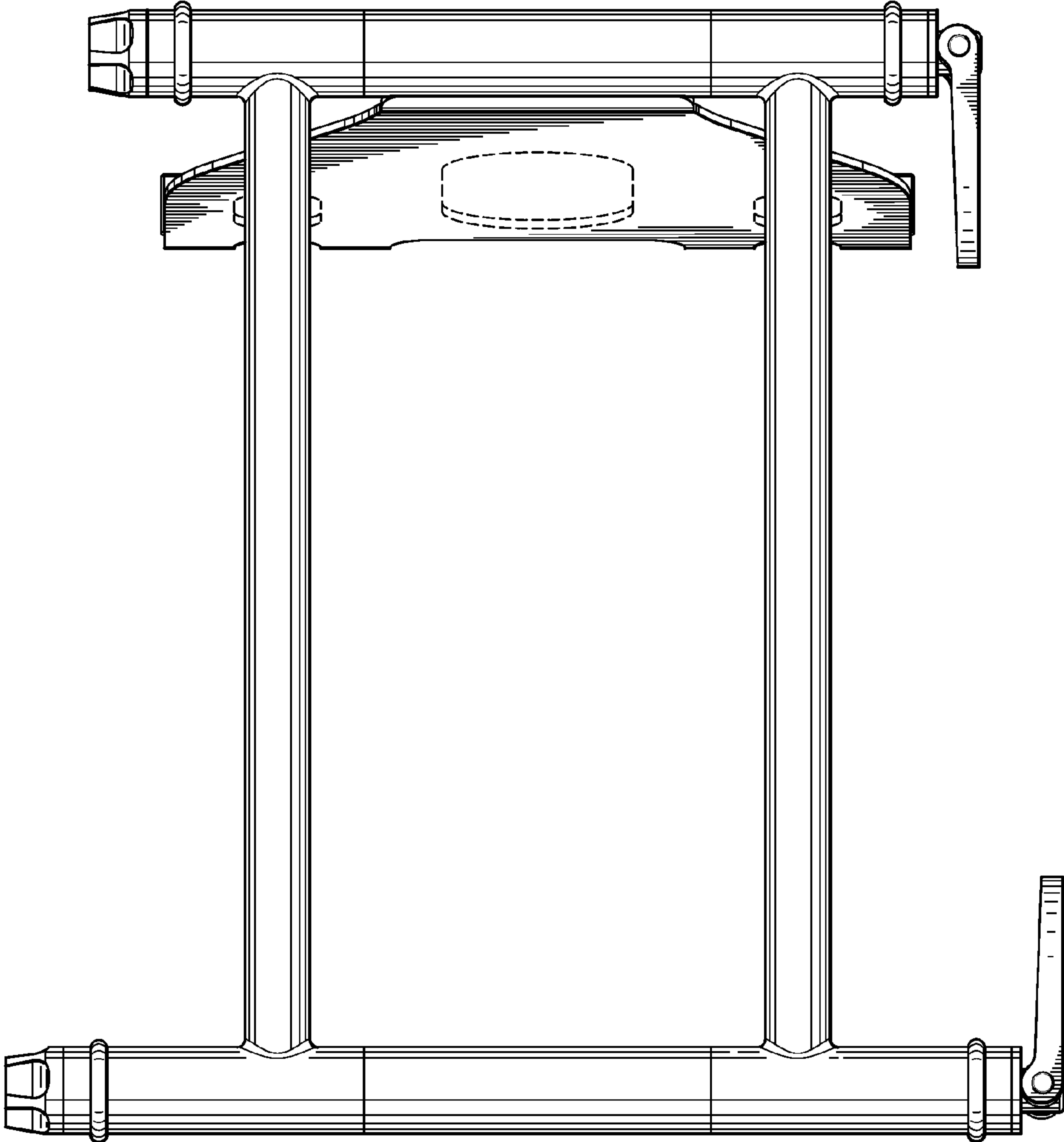


Fig. 3.

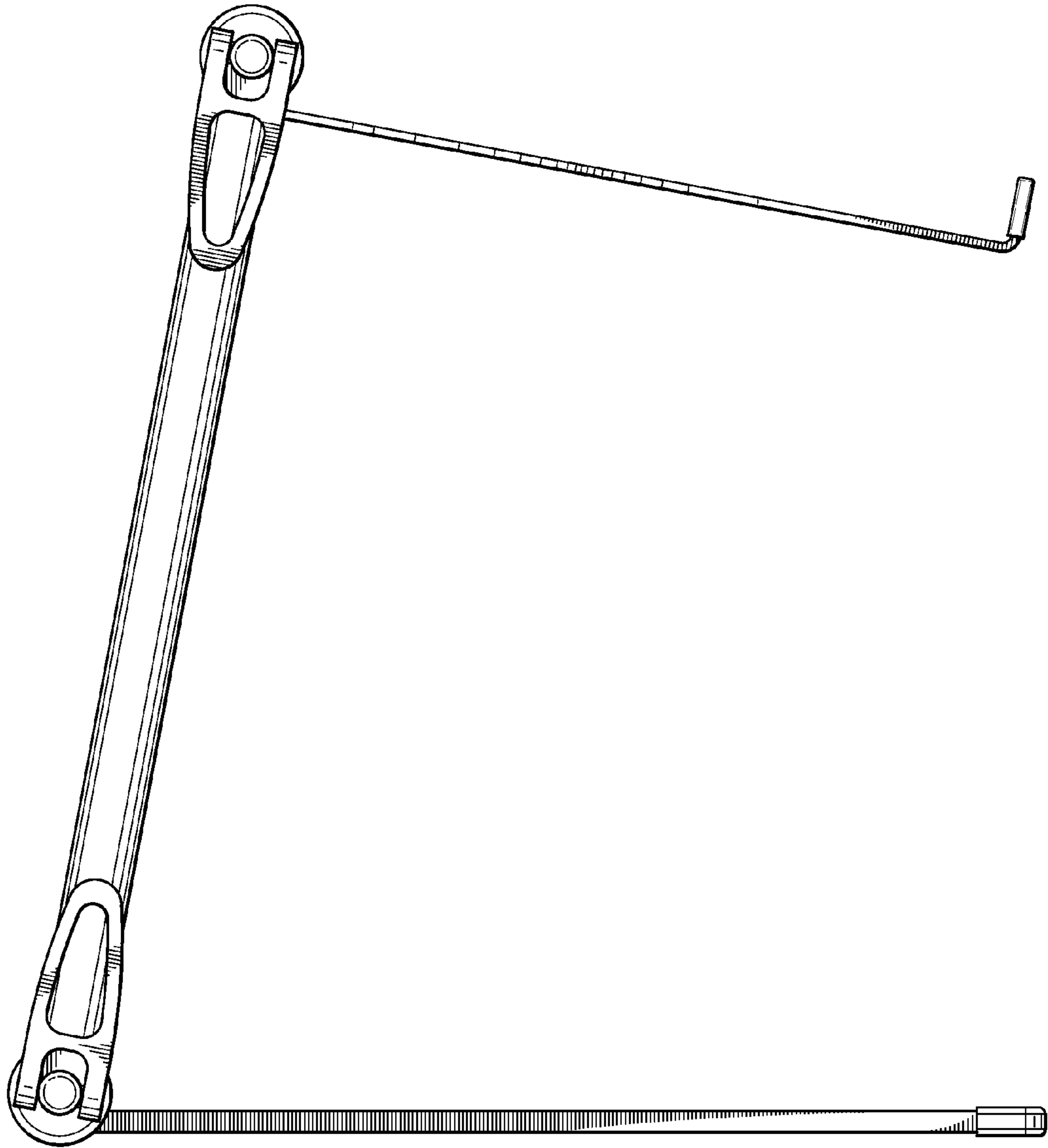


Fig. 4.

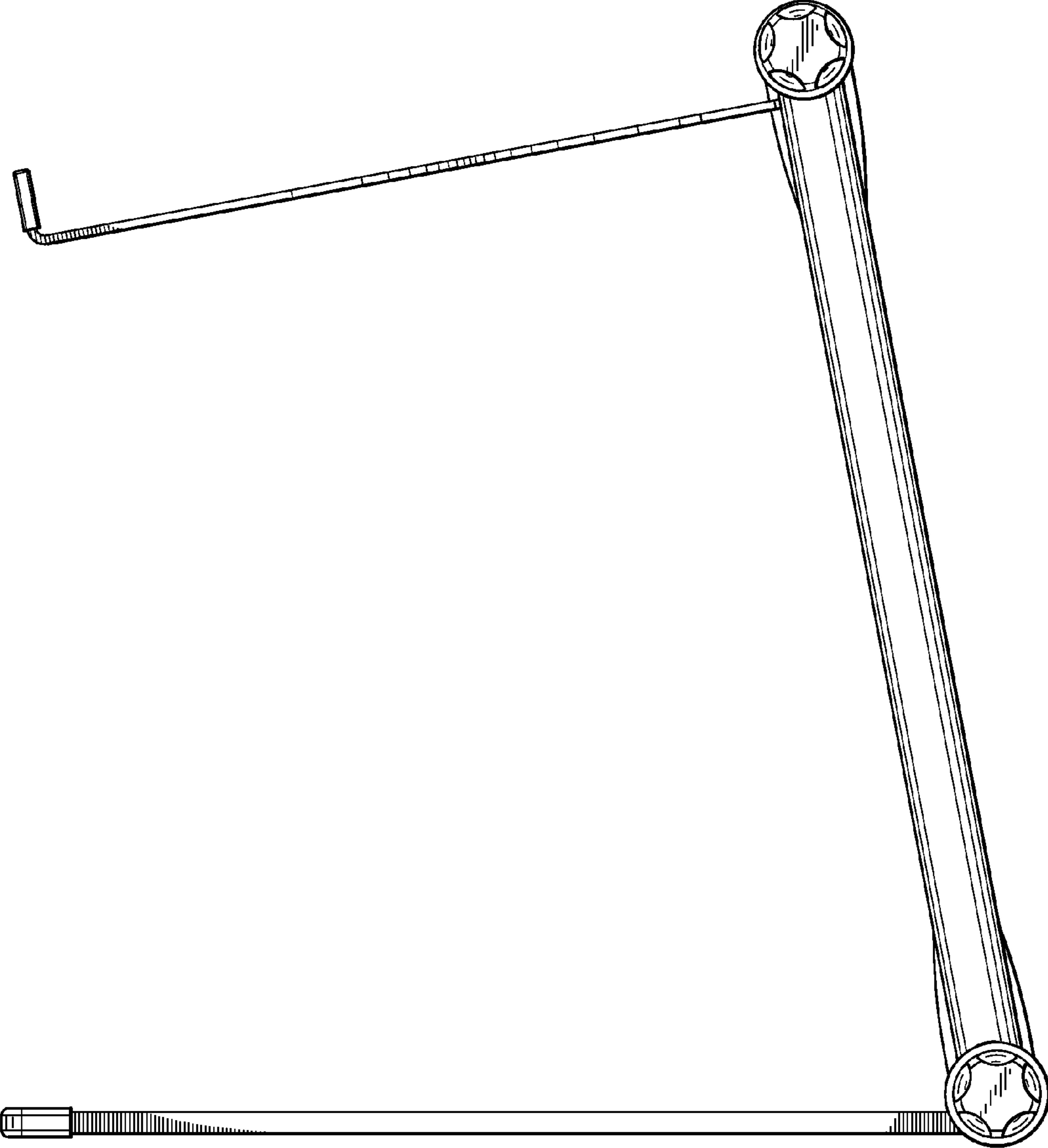


Fig. 5.

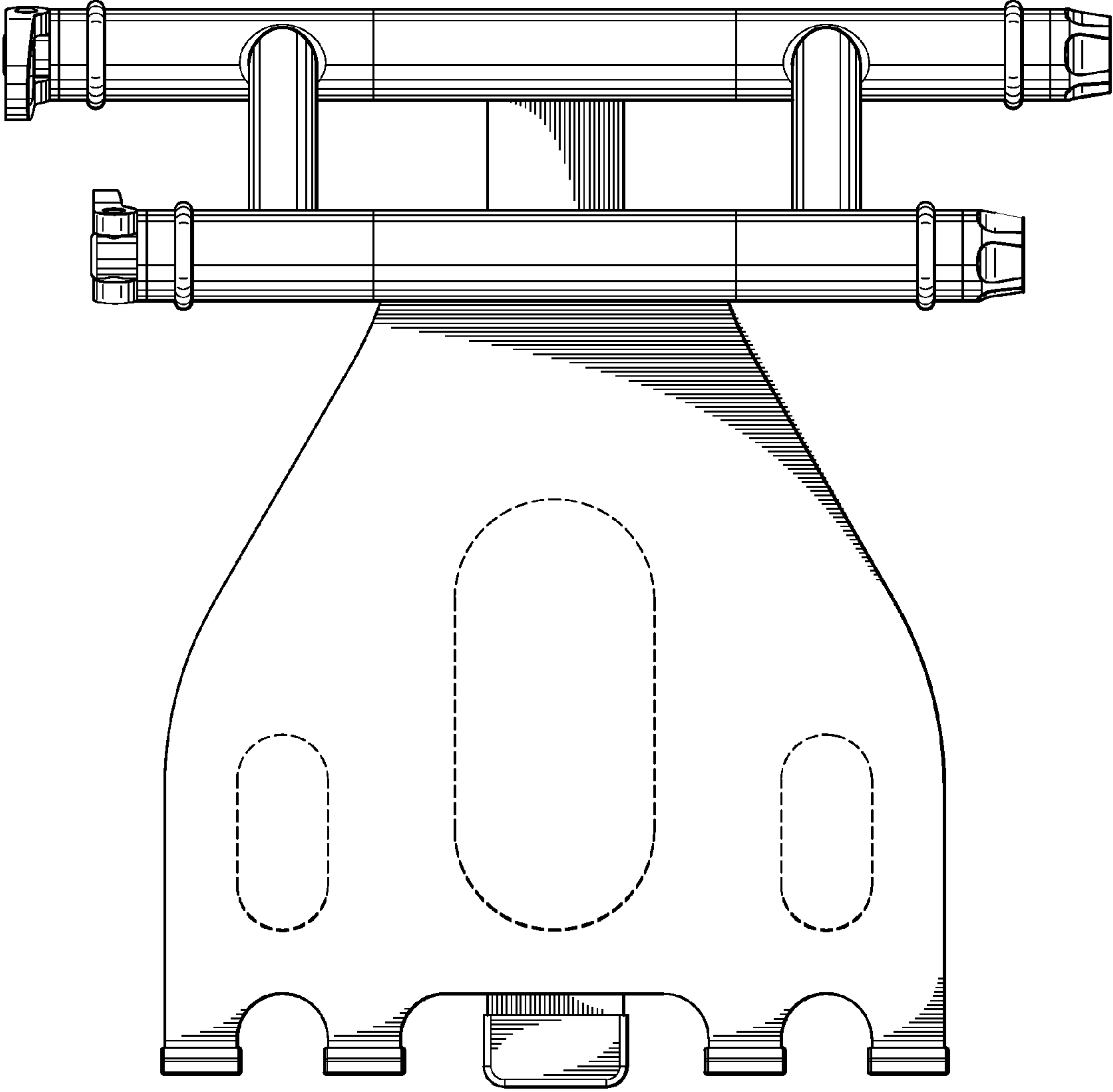


Fig. 6.

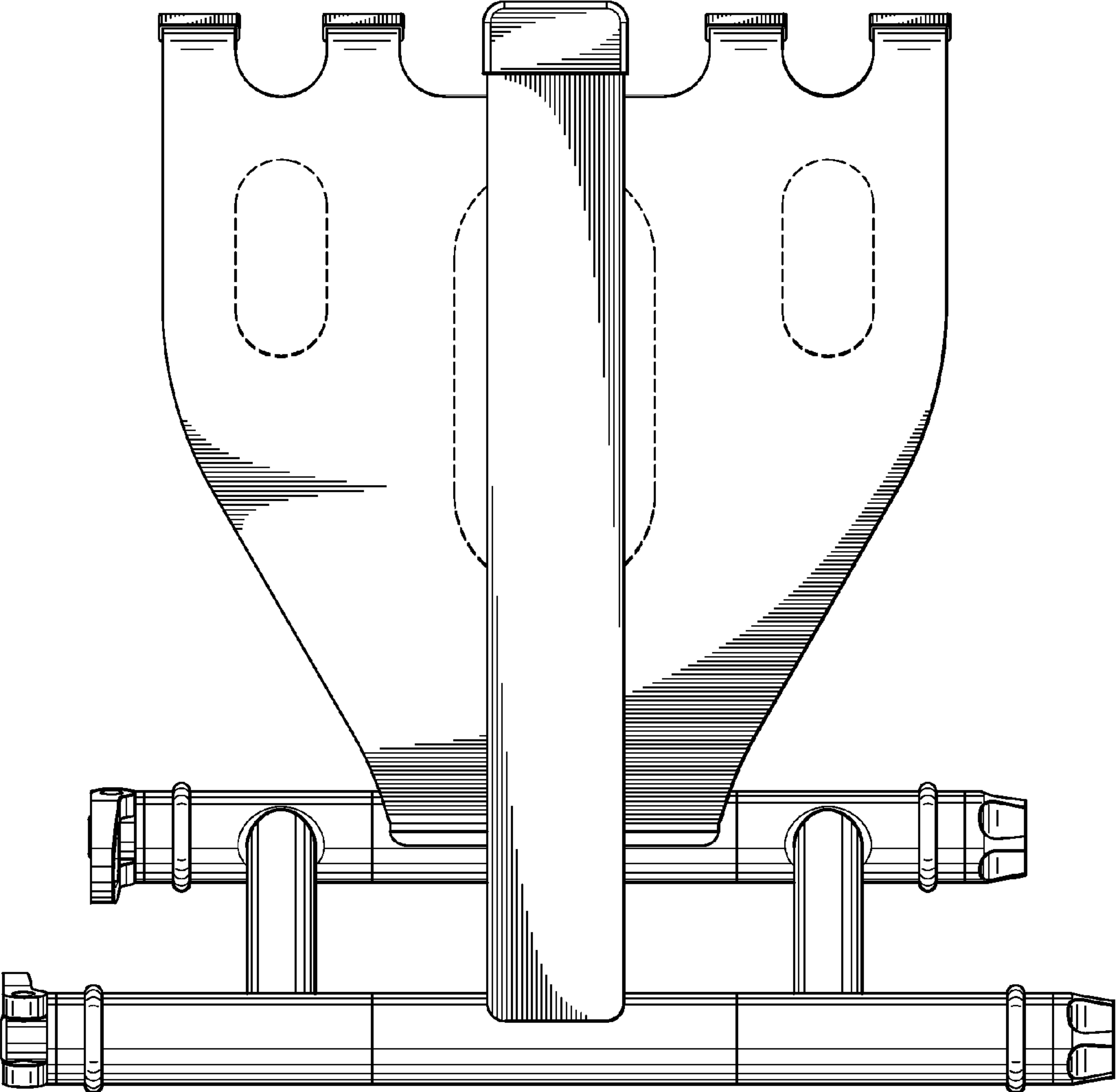


Fig. 7.