



US00D638634S

(12) **United States Design Patent**  
**Figueras Mitjans**

(10) **Patent No.:** **US D638,634 S**

(45) **Date of Patent:** **\*\* May 31, 2011**

(54) **SEATING**

(75) **Inventor:** **José Figueras Mitjans, Barcelona (ES)**

(73) **Assignee:** **Figueras International Seating, S.A.,  
Barcelona (ES)**

(\*\*) **Term:** **14 Years**

(21) **Appl. No.:** **29/355,358**

(22) **Filed:** **Feb. 5, 2010**

(30) **Foreign Application Priority Data**

Aug. 5, 2009	(ES)	001598160-0001
Aug. 5, 2009	(ES)	001598160-0002
Aug. 5, 2009	(ES)	001598160-0003
Aug. 5, 2009	(ES)	001598160-0004
Aug. 5, 2009	(ES)	001598160-0005
Aug. 5, 2009	(ES)	001598160-0006
Aug. 5, 2009	(ES)	001598160-0007
Aug. 5, 2009	(ES)	001598160-0008

(51) **LOC (9) Cl.** ..... **06-01**

(52) **U.S. Cl.** ..... **D6/364**

(58) **Field of Classification Search** ..... D6/364,  
D6/335-336, 365, 367-368, 371-374, 381,  
D6/500-502; 297/232, 248, 311, 324, 326,  
297/332, 335, 411.45, 451.5, 120, 452.11

See application file for complete search history.

(56) **References Cited**

**U.S. PATENT DOCUMENTS**

D211,171	S	*	5/1968	Blier	.....	D6/379
D228,104	S	*	8/1973	Blodee	.....	D6/368
RE29,522	E	*	1/1978	Barecki	.....	297/451.4
4,077,664	A	*	3/1978	Harder, Jr.	.....	297/183.8

D345,869	S	*	4/1994	Grosfillex	.....	D6/381
D352,400	S	*	11/1994	Yamazaki	.....	D6/335
5,678,889	A	*	10/1997	Purcell, Jr.	.....	297/257
D412,622	S	*	8/1999	DeJule	.....	D6/371
D428,276	S	*	7/2000	Mitjans	.....	D6/381
D439,428	S	*	3/2001	Mizuno	.....	D6/368
D440,422	S	*	4/2001	DeJule	.....	D6/371
D441,972	S	*	5/2001	Mitjans	.....	D6/368
D447,642	S	*	9/2001	Kimura	.....	D6/368
D448,189	S	*	9/2001	Jahn	.....	D6/374
D453,638	S	*	2/2002	Kane	.....	D6/381
D461,321	S	*	8/2002	Figueras Mitjans	.....	D6/356
D475,209	S	*	6/2003	Haney et al.	.....	D6/356
D479,657	S	*	9/2003	Calatrava Valls	.....	D6/368
D509,372	S	*	9/2005	King	.....	D6/368
D509,672	S	*	9/2005	Nemeth et al.	.....	D6/368
D521,756	S	*	5/2006	Moffa et al.	.....	D6/368
D532,985	S	*	12/2006	Mitjans	.....	D6/368
D535,126	S	*	1/2007	Loew et al.	.....	D6/500
D560,921	S	*	2/2008	Olarte	.....	D6/381
2003/0168896	A1	*	9/2003	Berkowicz	.....	297/248
2009/0072598	A1	*	3/2009	Herold et al.	.....	297/232

\* cited by examiner

*Primary Examiner* — Elizabeth Albert

*Assistant Examiner* — Kelley Donnelly

(74) *Attorney, Agent, or Firm* — Lucas & Mercanti, LLP

(57) **CLAIM**

The ornamental design for a seating, as shown and described.

**DESCRIPTION**

FIG. 1 is a perspective view of seating showing my new design in an open position;

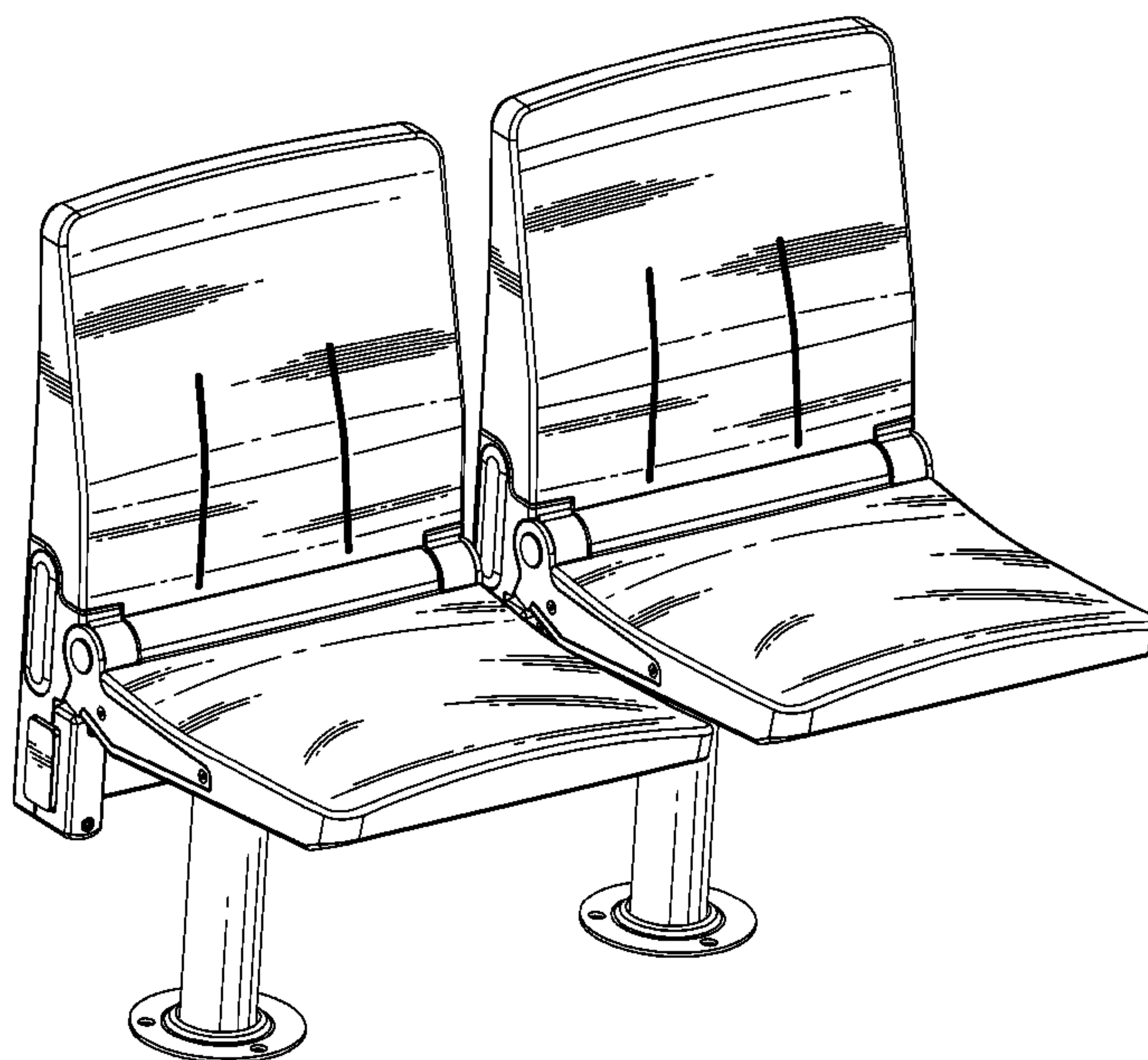
FIG. 2 is a perspective view of the seating in a folded position;

FIG. 3 is a front view of the seating of FIG. 1;

FIG. 4 is a side view, the other end being a mirror image thereof; and,

FIG. 5 is a rear view of the seating.

**1 Claim, 5 Drawing Sheets**



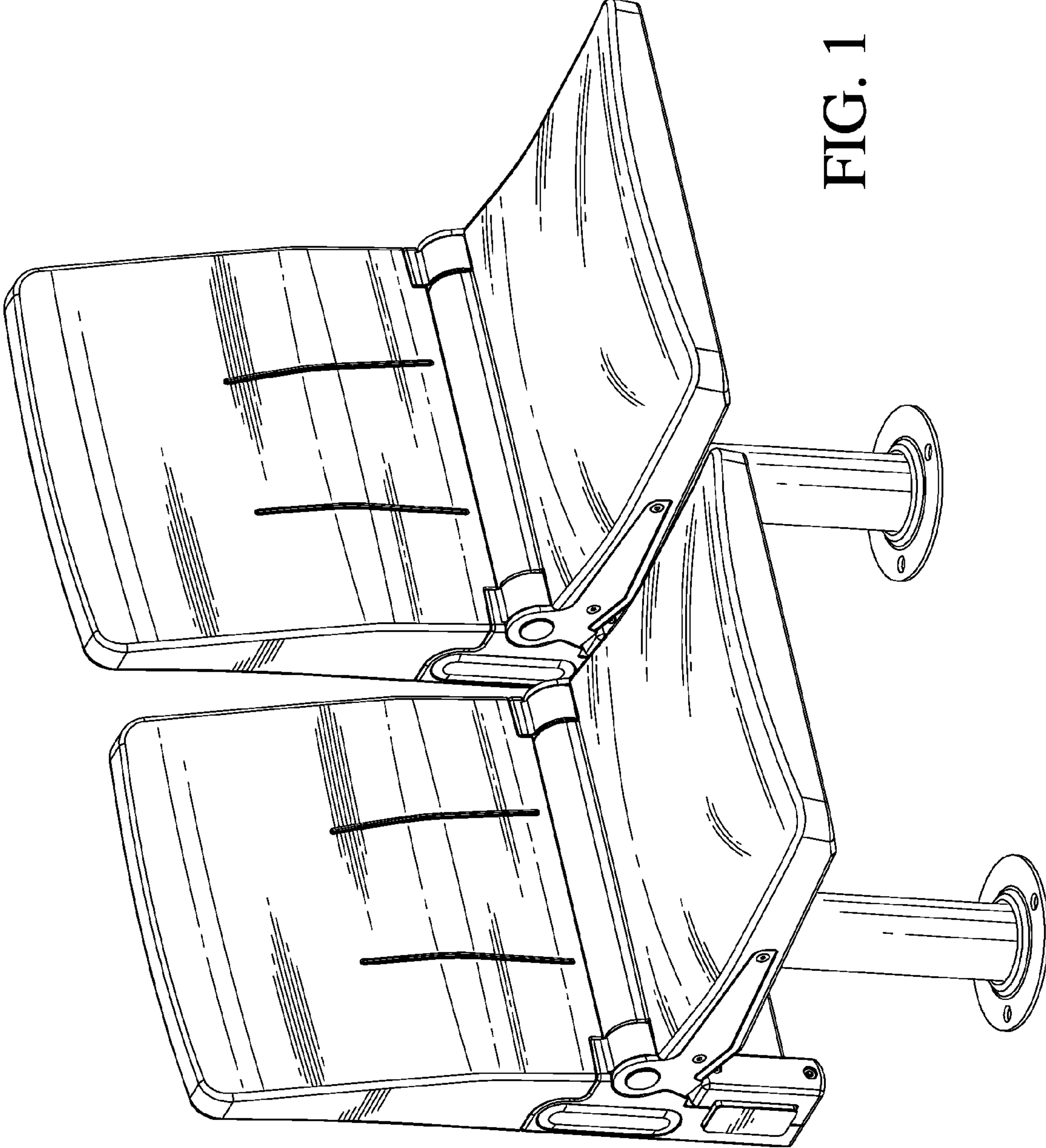


FIG. 1

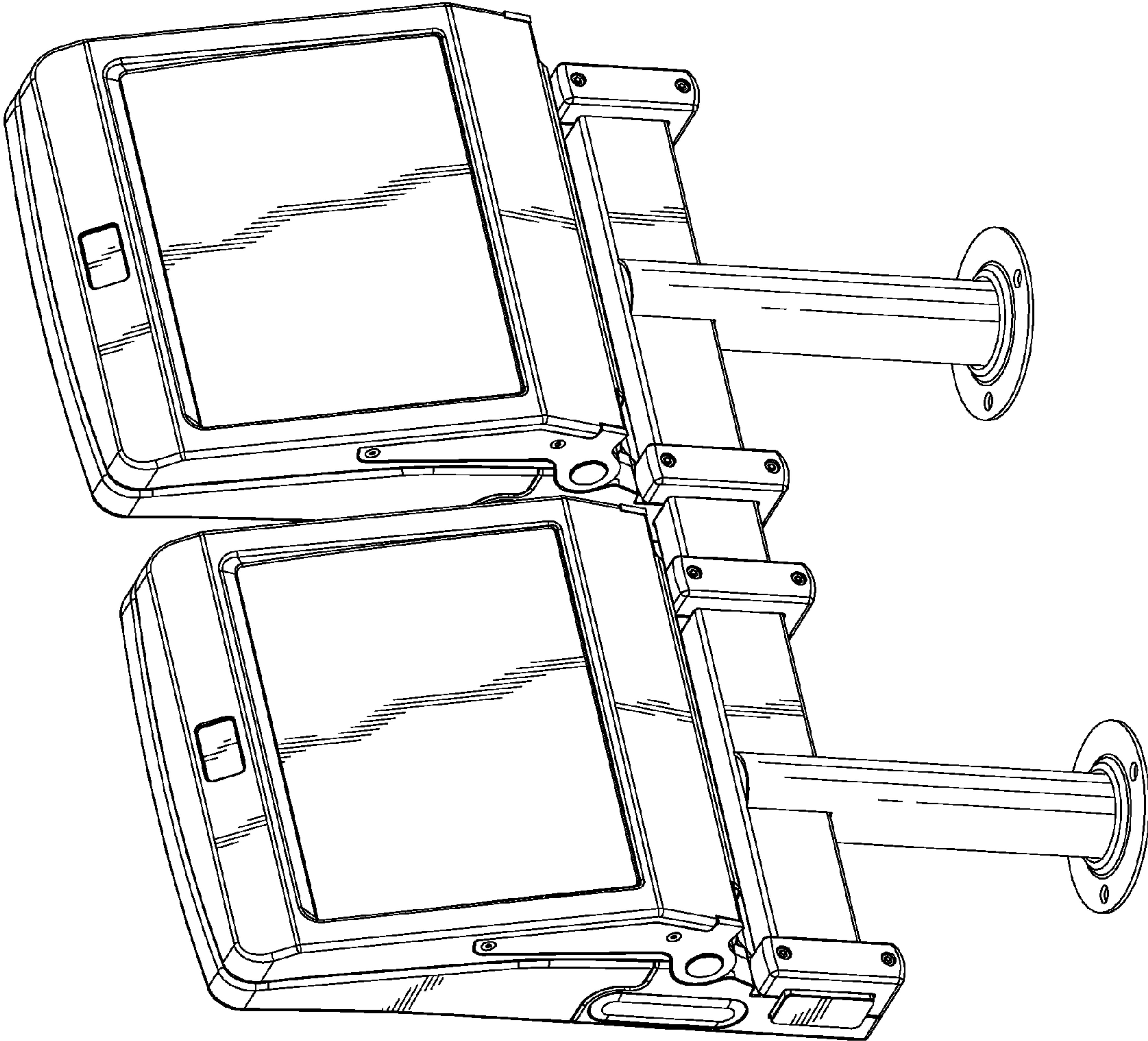


FIG. 2

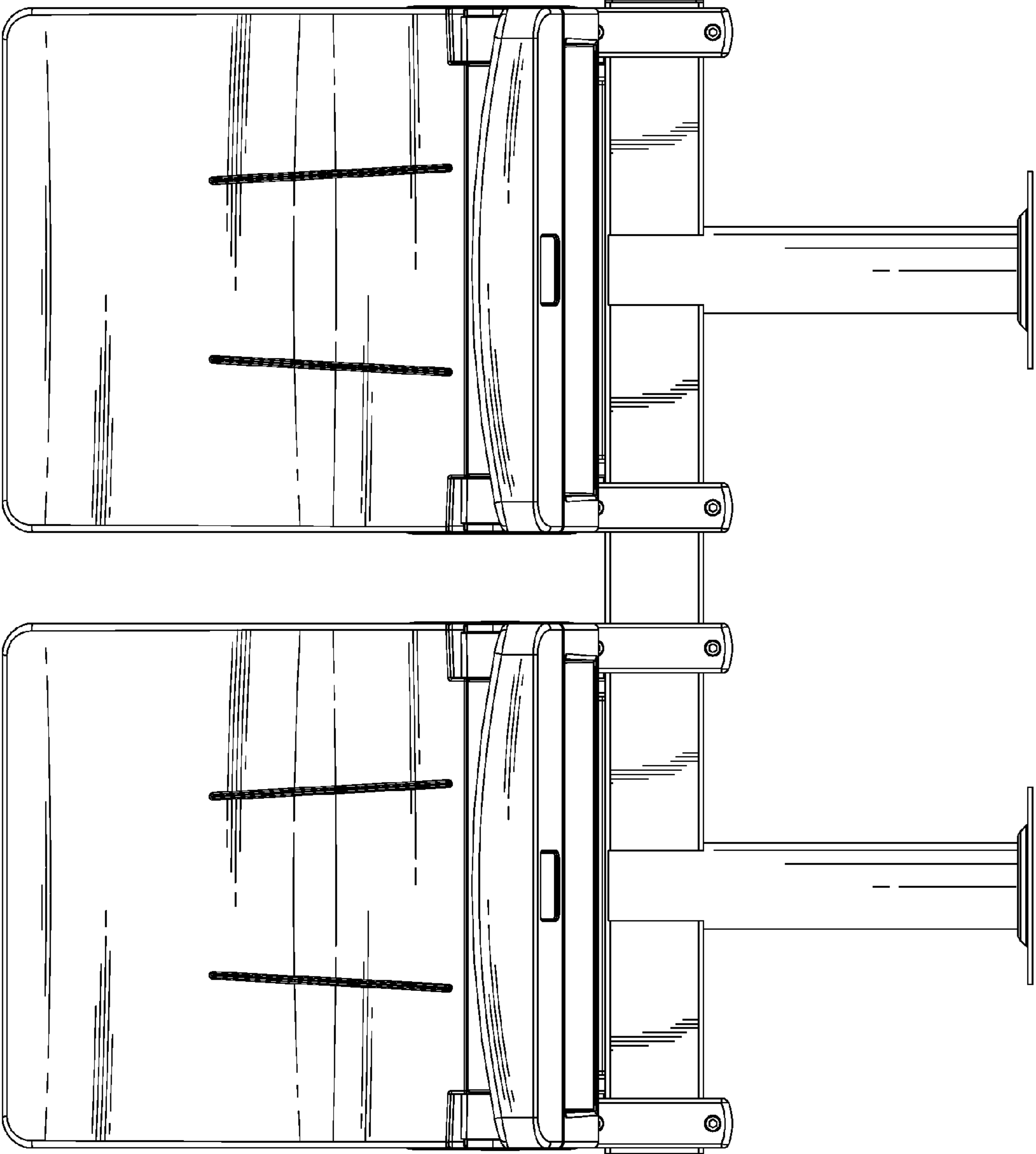


FIG. 3



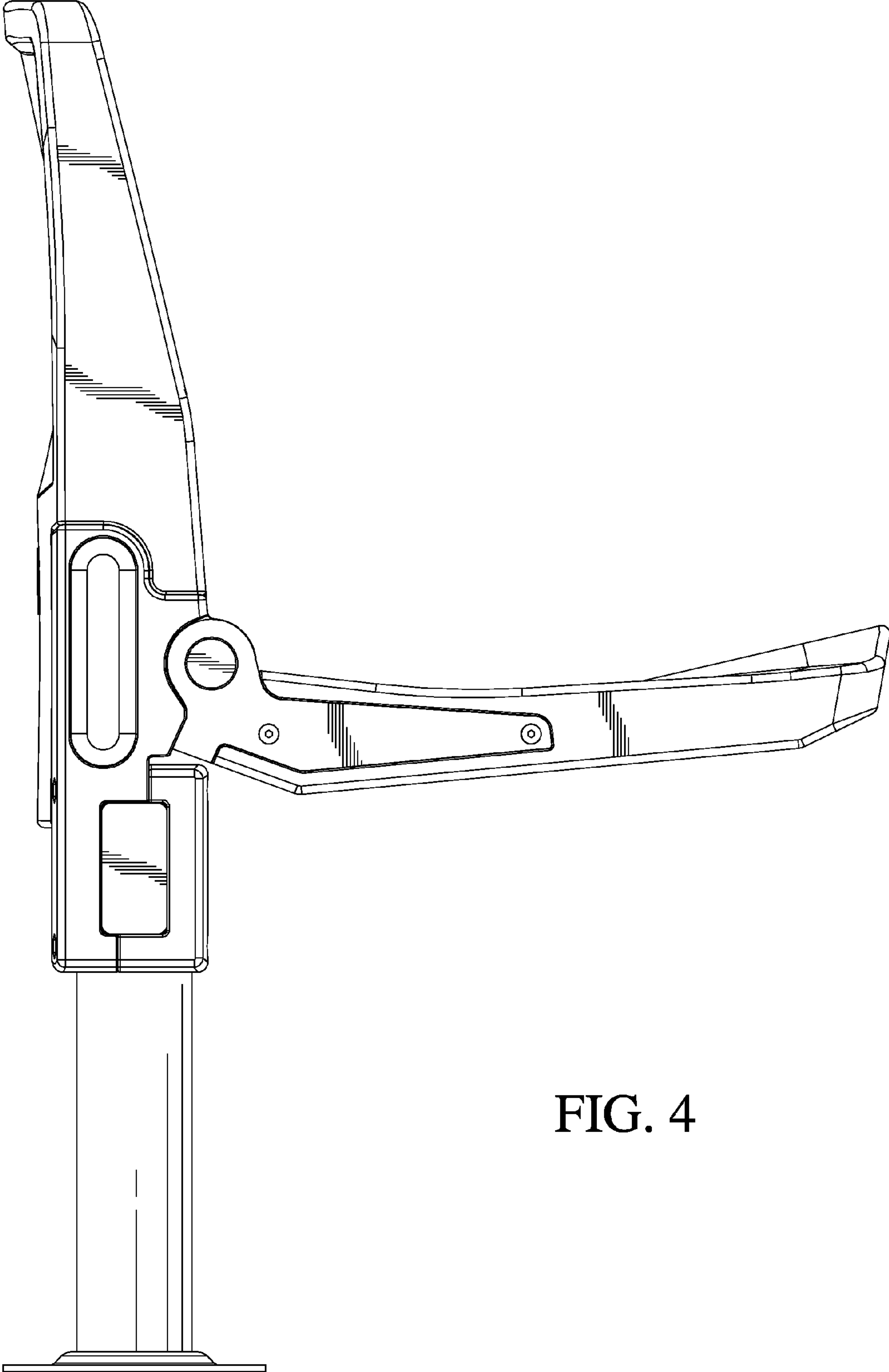


FIG. 4

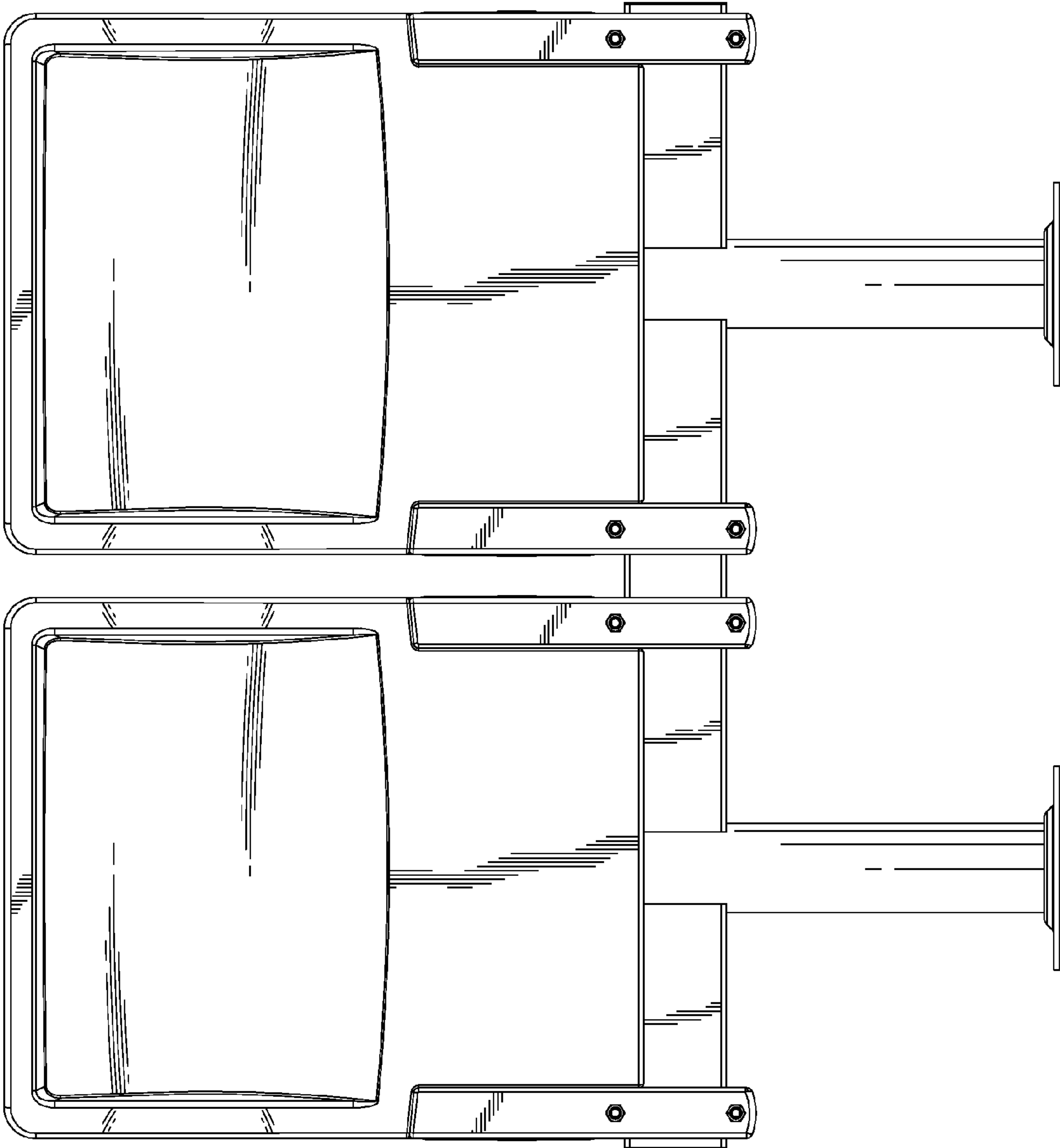


FIG. 5