



US00D638633S

(12) **United States Design Patent**  
**Du**

(10) **Patent No.:** **US D638,633 S**

(45) **Date of Patent:** **\*\* May 31, 2011**

(54) **BAR CHAIR**

(75) Inventor: **Hui Du**, Zhejiang (CN)

(73) Assignee: **Anji Weiyu Furniture Co., Ltd.**,  
Sunlight Industrial Zone, Dipu Town,  
Anji County, Zhejiang (CN)

(\*\*) Term: **14 Years**

(21) Appl. No.: **29/366,505**

(22) Filed: **Jul. 26, 2010**

(30) **Foreign Application Priority Data**

Feb. 10, 2010 (CN) ..... 2010 3 0107266

(51) **LOC (9) Cl.** ..... **06-01**

(52) **U.S. Cl.** ..... **D6/360**

(58) **Field of Classification Search** ..... D6/334-336,  
D6/356, 360, 364, 365, 374, 375, 376, 379,  
D6/380, 500-502; 297/344.12, 423.18, 423.25,  
297/451.4, 451.5, 452.12, 461

See application file for complete search history.

(56) **References Cited**

U.S. PATENT DOCUMENTS

D197,964 S *	4/1964	Rhoades	.....	D6/375
D226,589 S *	3/1973	Svehla	.....	D6/375
D371,007 S *	6/1996	Grappo	.....	D6/356
D486,313 S *	2/2004	Manzali	.....	D6/360
D621,631 S *	8/2010	Li	.....	D6/360
2006/0232109 A1 *	10/2006	Olano	.....	297/461

\* cited by examiner

*Primary Examiner* — Mimoso De

(74) *Attorney, Agent, or Firm* — Global IP Services; Tianhua Gu

(57) **CLAIM**

The ornamental design for a bar chair, as shown and described.

**DESCRIPTION**

FIG. 1 is a left-front perspective view of a bar chair showing our new design;

FIG. 2 is a front view thereof;

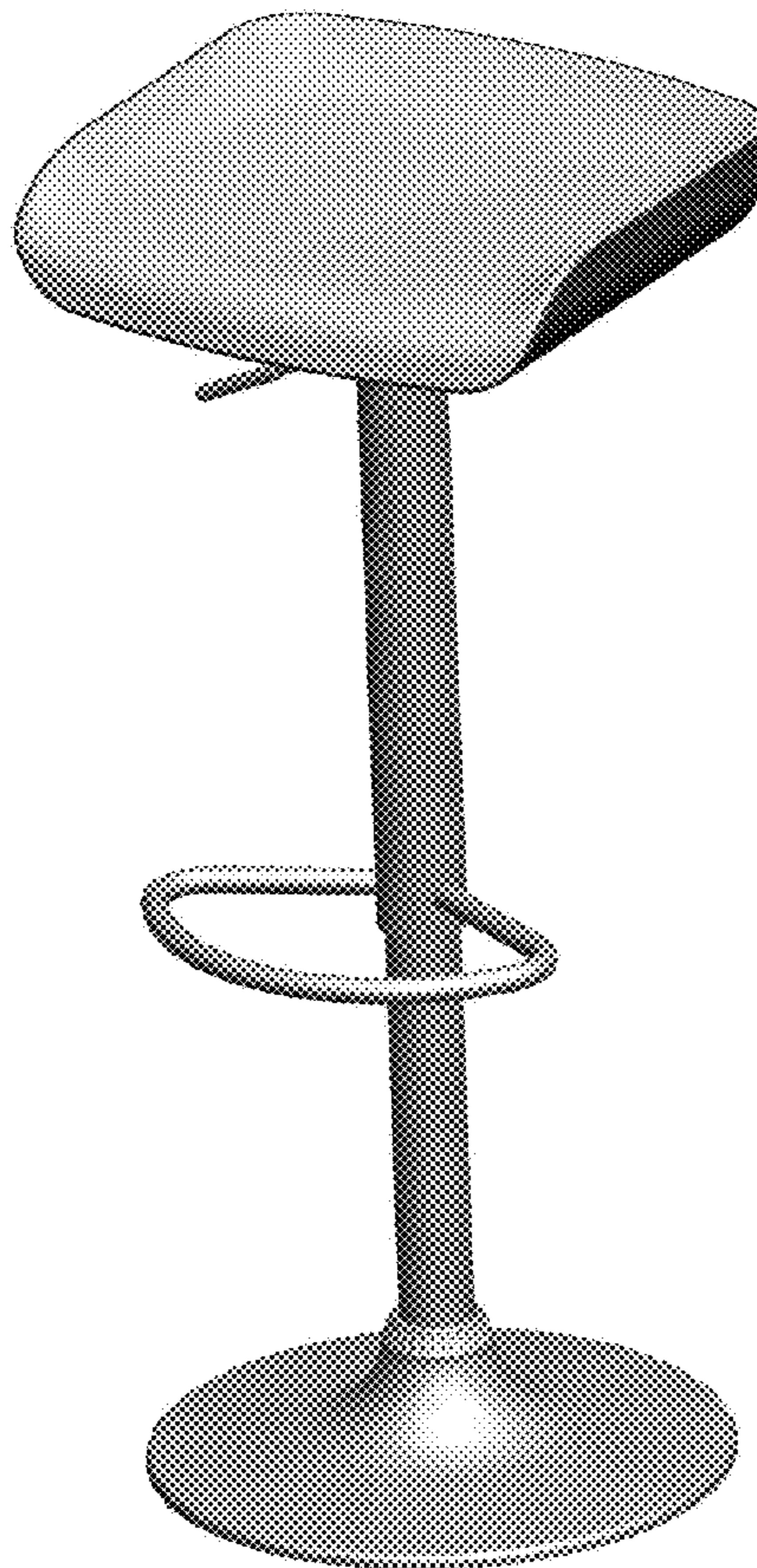
FIG. 3 is a back view thereof;

FIG. 4 is a left side view thereof;

FIG. 5 is a right side view thereof; and,

FIG. 6 is a top view thereof.

**1 Claim, 6 Drawing Sheets**



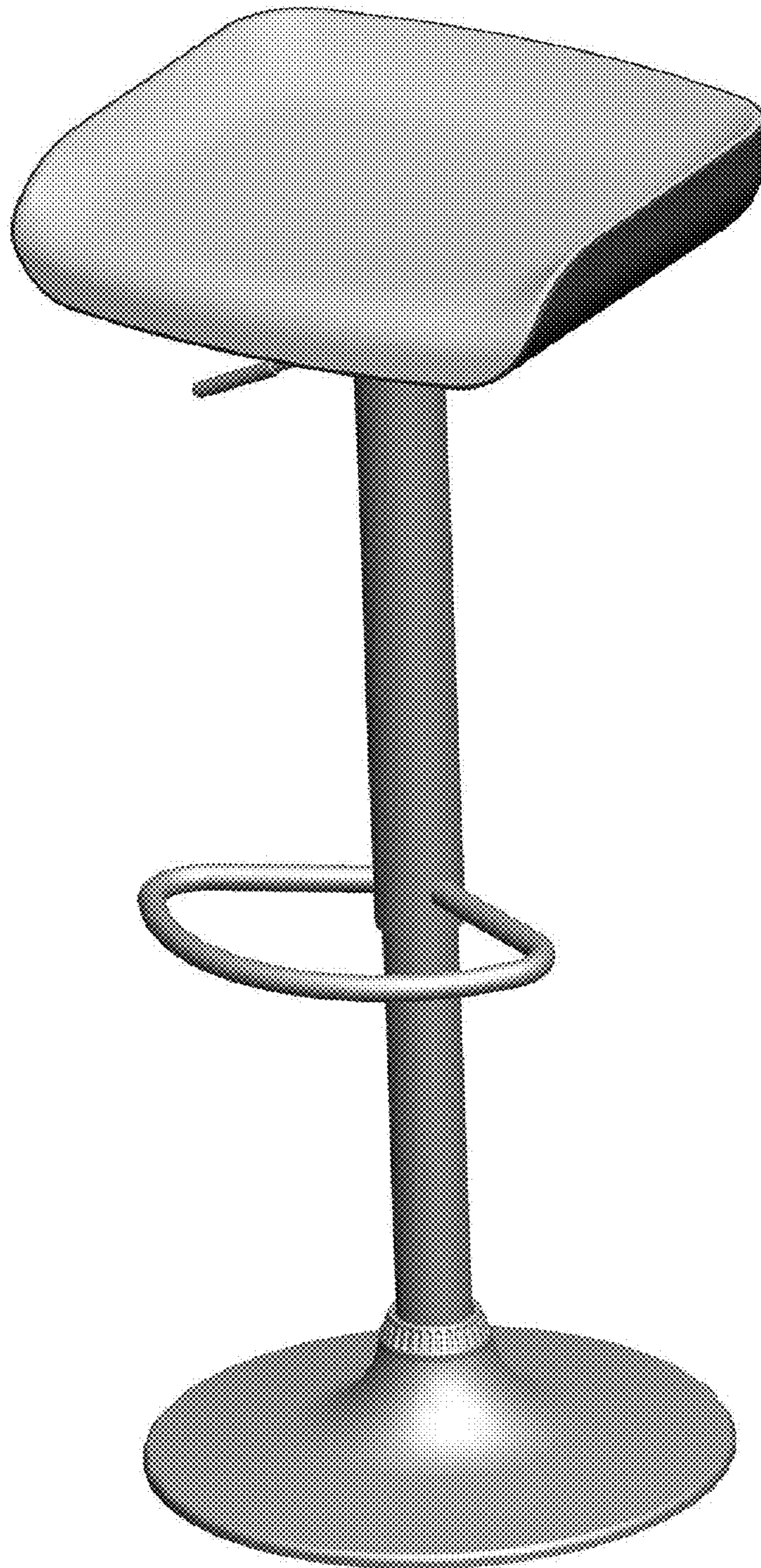


Fig. 1

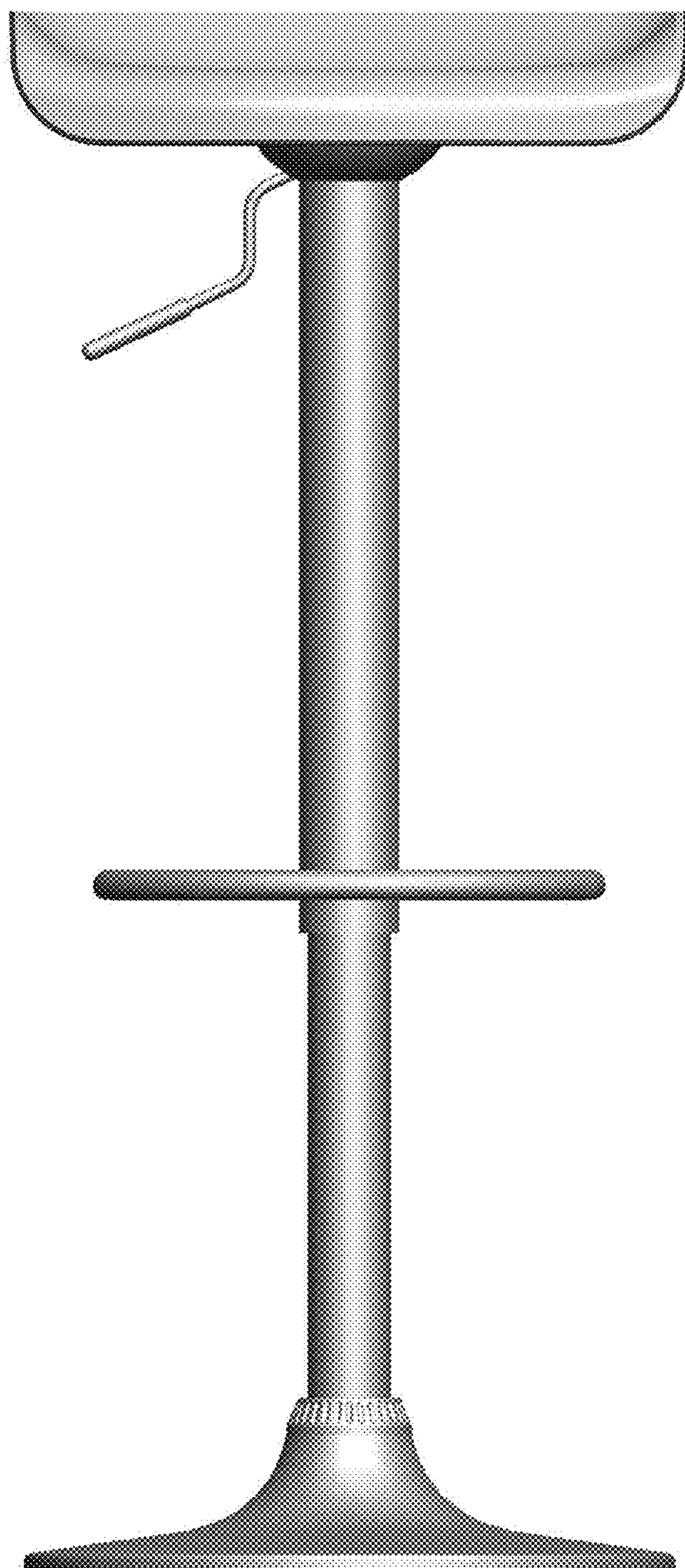


Fig. 2

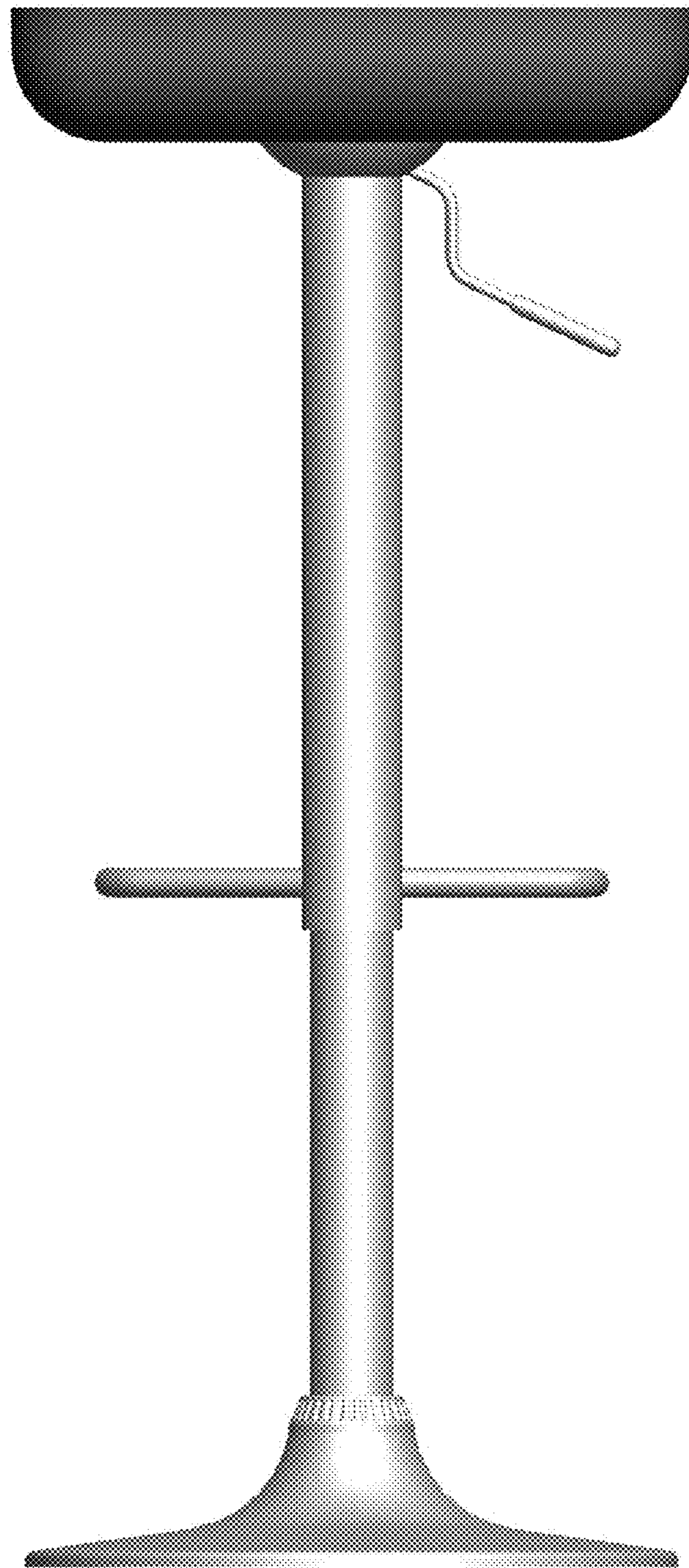


Fig. 3

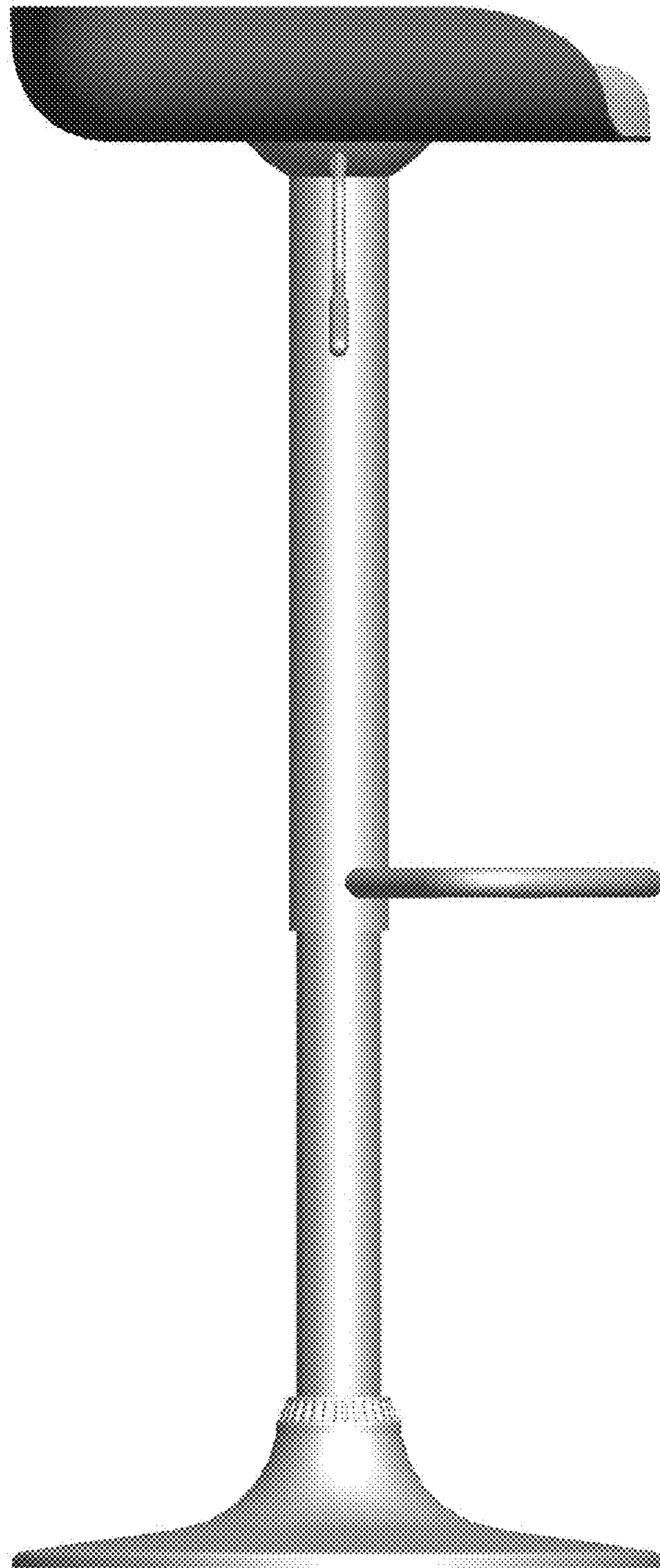


Fig. 4

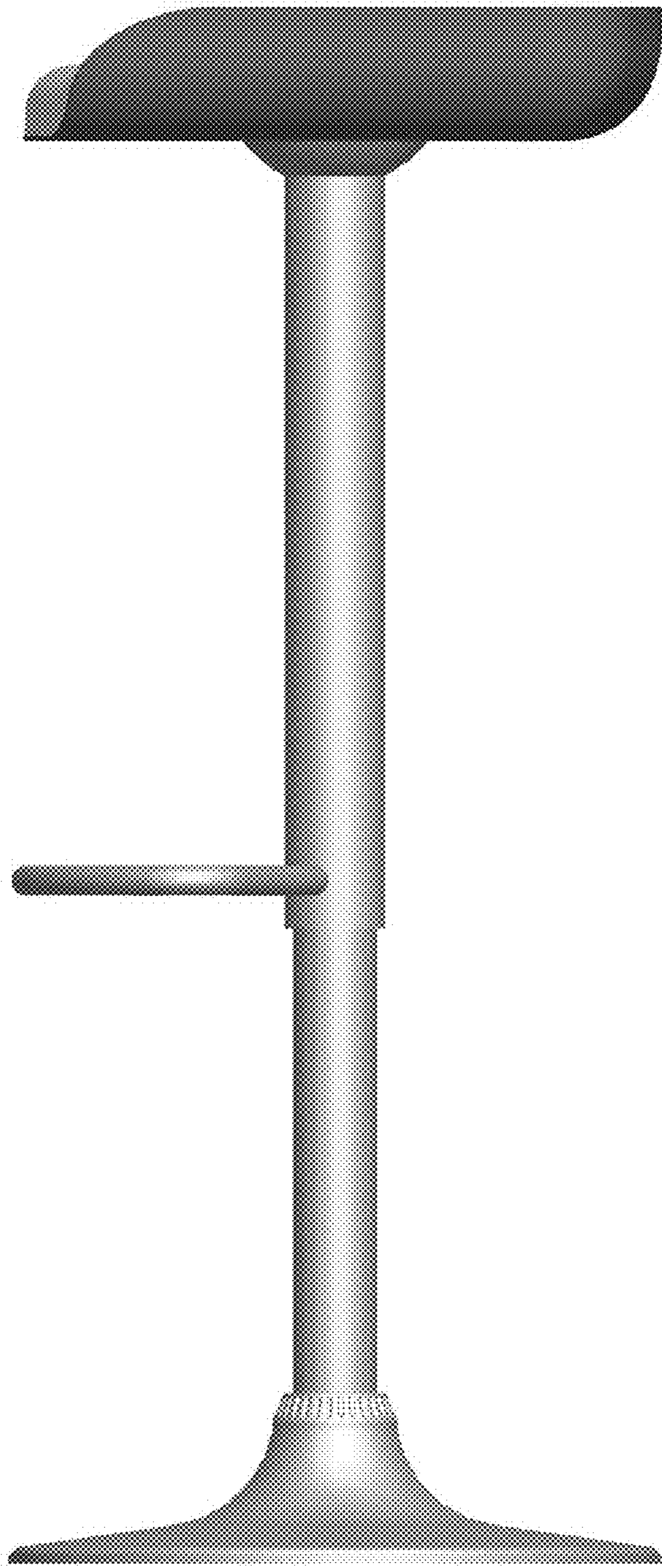


Fig. 5



Fig. 6