



US00D638631S

(12) **United States Design Patent**
Parisi et al.

(10) **Patent No.:** **US D638,631 S**

(45) **Date of Patent:** **** May 31, 2011**

(54) **MIRROR**

(75) Inventors: **Steven Parisi**, Haverstraw, NY (US);
Gary Parisi, Congers, NY (US); **Paul Parisi**, San Diego, CA (US)

(73) Assignee: **Toilettree Products, Inc.**, Upper Nyack, NY (US)

(**) Term: **14 Years**

(21) Appl. No.: **29/364,452**

(22) Filed: **Jun. 23, 2010**

4,558,929 A	12/1985	Stephens et al.
D282,993 S	3/1986	Sanford
4,655,559 A	4/1987	Odell
4,832,475 A	5/1989	Daniels
4,836,668 A	6/1989	Christianson
4,904,072 A	2/1990	Christianson
D339,574 S *	9/1993	Althans et al. D14/374
5,313,316 A	5/1994	Davidge
D349,489 S *	8/1994	Wang D14/375
D356,552 S *	3/1995	Maeno et al. D14/375
5,416,635 A	5/1995	Christianson et al.
D362,772 S	10/1995	Peart et al.
D369,049 S	4/1996	Scaglione
5,604,633 A	2/1997	Christianson

(Continued)

Related U.S. Application Data

(63) Continuation-in-part of application No. 29/353,432, filed on Jan. 8, 2010, now Pat. No. Des. 628,410.

(51) **LOC (9) Cl.** **06-07**

(52) **U.S. Cl.** **D6/300; D6/491**

(58) **Field of Classification Search** D6/300-314, D6/444; 40/700, 768, 717, 721, 735; D14/371, D14/372, 448, 449, 450, 374, 381, 382, 336, D14/337, 250, 146, 341, 496, 331, 126, 130, D14/128, 138 AD, 218; D20/10; D10/24, D10/75, 2; 361/683; D13/168; 345/92

See application file for complete search history.

References Cited

U.S. PATENT DOCUMENTS

D152,618 S	2/1949	Kibler
D186,064 S	9/1959	Wise
3,708,218 A	1/1973	Smillie, III
4,076,374 A	2/1978	Schwab
4,150,869 A	4/1979	Hansen
D258,474 S	3/1981	Edstrom
D258,475 S	3/1981	Edstrom
4,327,961 A	5/1982	Kladitis
D280,574 S	9/1985	Kladitis
D280,872 S	10/1985	Johnson
4,556,298 A	12/1985	Gottlieb

OTHER PUBLICATIONS

<http://www.shavenow.com/categories/Fog-Free-Shower-Mirror?gclid=CNTb1Myy1Z4CFdA65QodFRg-rw> as downloaded from the Internet on Jan. 8, 2010.

Primary Examiner — Phillip S Hyder

Assistant Examiner — Sydney Buffalow

(74) *Attorney, Agent, or Firm* — Myers Wolin, LLC

CLAIM

The ornamental design for a mirror, as shown and described.

DESCRIPTION

FIG. 1 is a front isometric view of one embodiment of a mirror showing our new design;

FIG. 2 is a left side elevational view thereof;

FIG. 3 is a front elevational view thereof;

FIG. 4 is a right side elevation thereof;

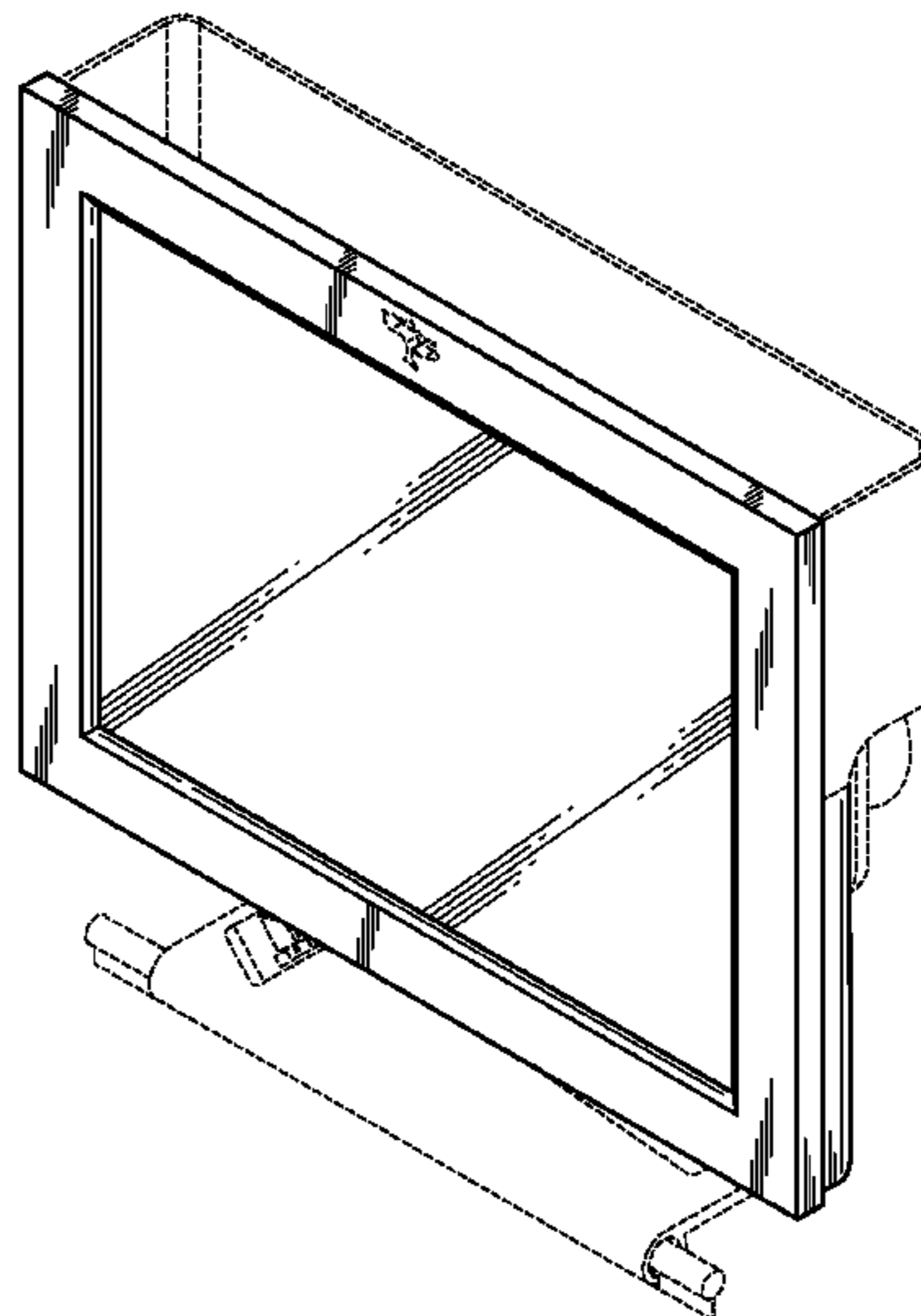
FIG. 5 is a top plan view thereof;

FIG. 6 is a bottom plan view thereof; and,

FIG. 7 is a rear elevational view.

The broken lines are for illustrative purposes only and form no part of the claimed design.

1 Claim, 3 Drawing Sheets



US D638,631 S

Page 2

U.S. PATENT DOCUMENTS

D391,933	S	*	3/1998	Chang	D14/375	D541,799	S	*	5/2007	Andre et al.	D14/375
5,847,873	A		12/1998	Kim			7,249,858	B2		7/2007	Blackwood		
5,953,157	A		9/1999	Christianson			D558,985	S		1/2008	Defenbaugh et al.		
D462,216	S		9/2002	Jablonski			D580,392	S	*	11/2008	Kim et al.	D14/138 AD
D464,646	S	*	10/2002	Lin	D14/341	D600,242	S	*	9/2009	Yeh et al.	D14/341
D478,051	S	*	8/2003	Sagawa	D13/168	D635,556		*	4/2011	Suzuki	D14/218
D531,631	S	*	11/2006	Andre et al.	D14/375	2003/0063059	A1	*	4/2003	Farrow et al.	345/92
D541,563	S		5/2007	LaBonia, Jr. et al.			2003/0235029	A1	*	12/2003	Doherty et al.	361/683

* cited by examiner

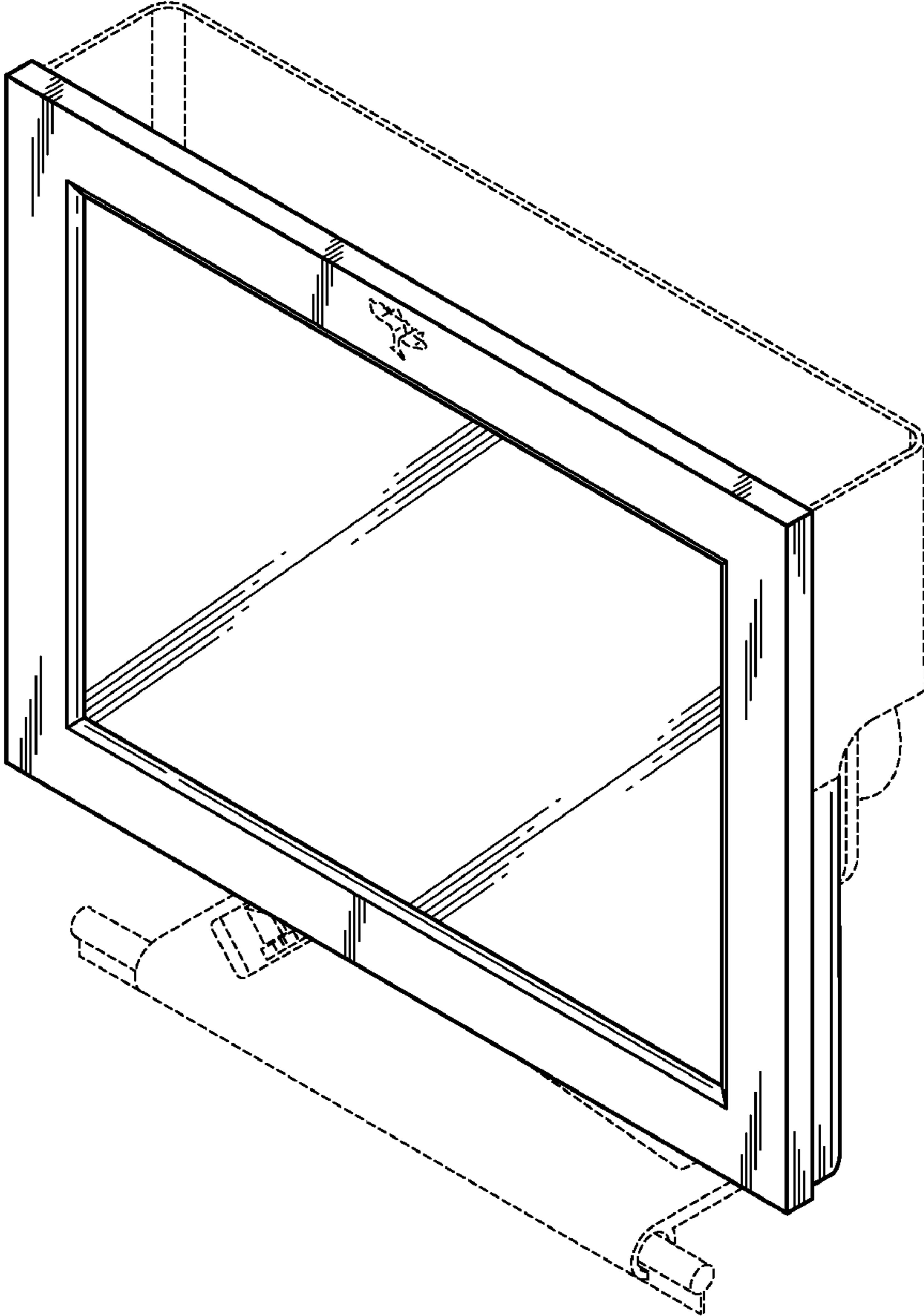


FIG. 1

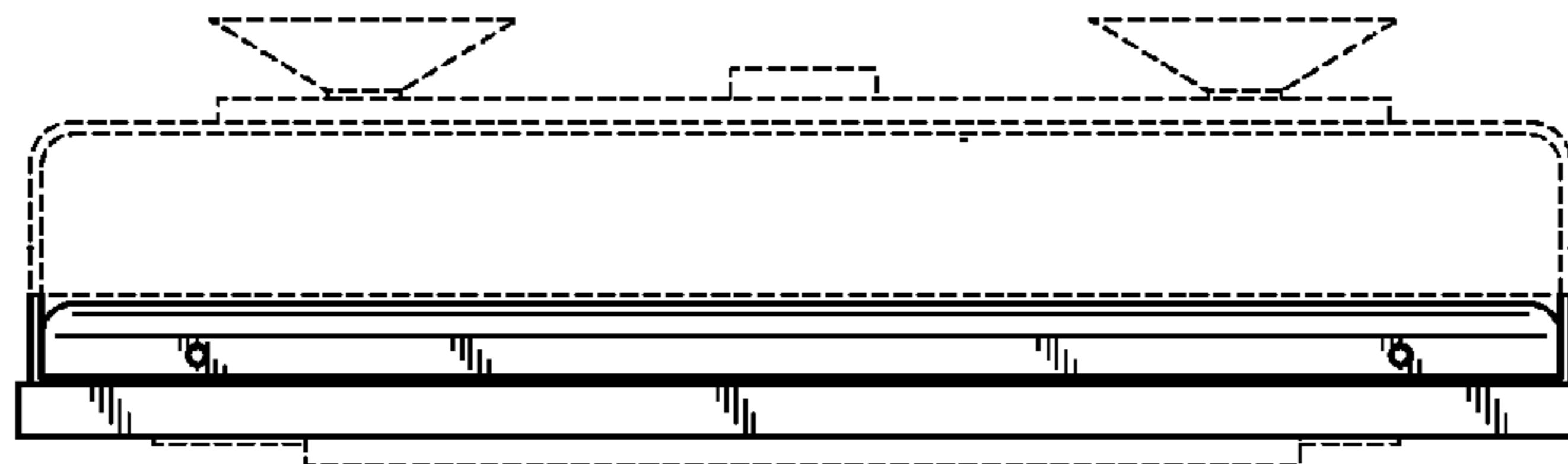


FIG. 5

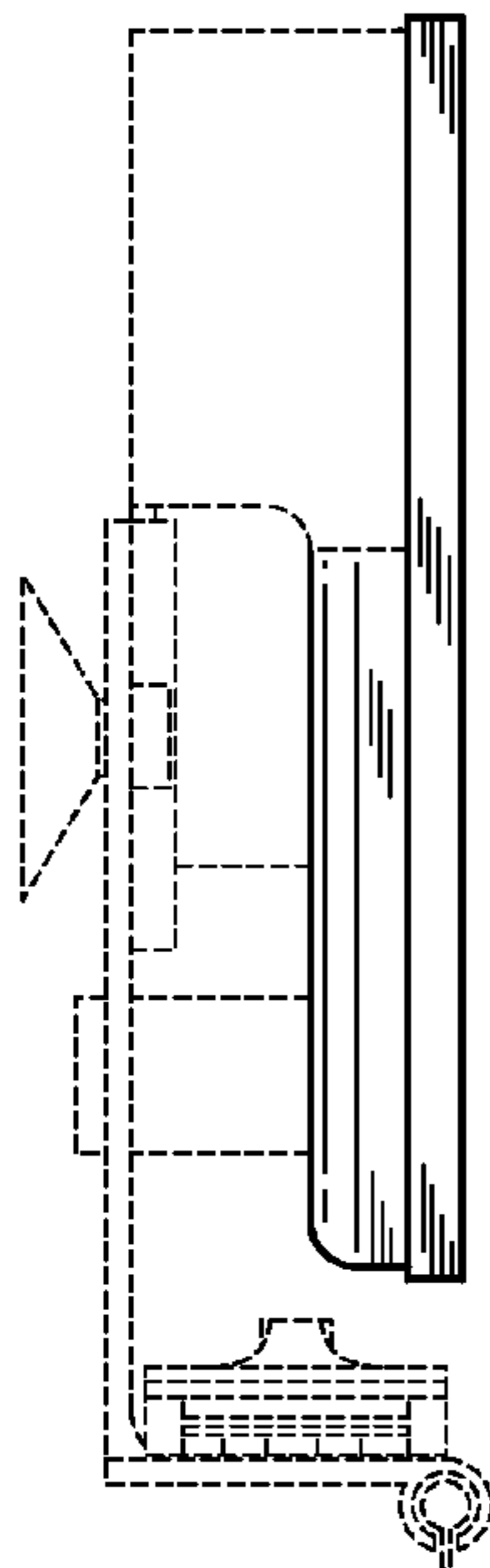


FIG. 2

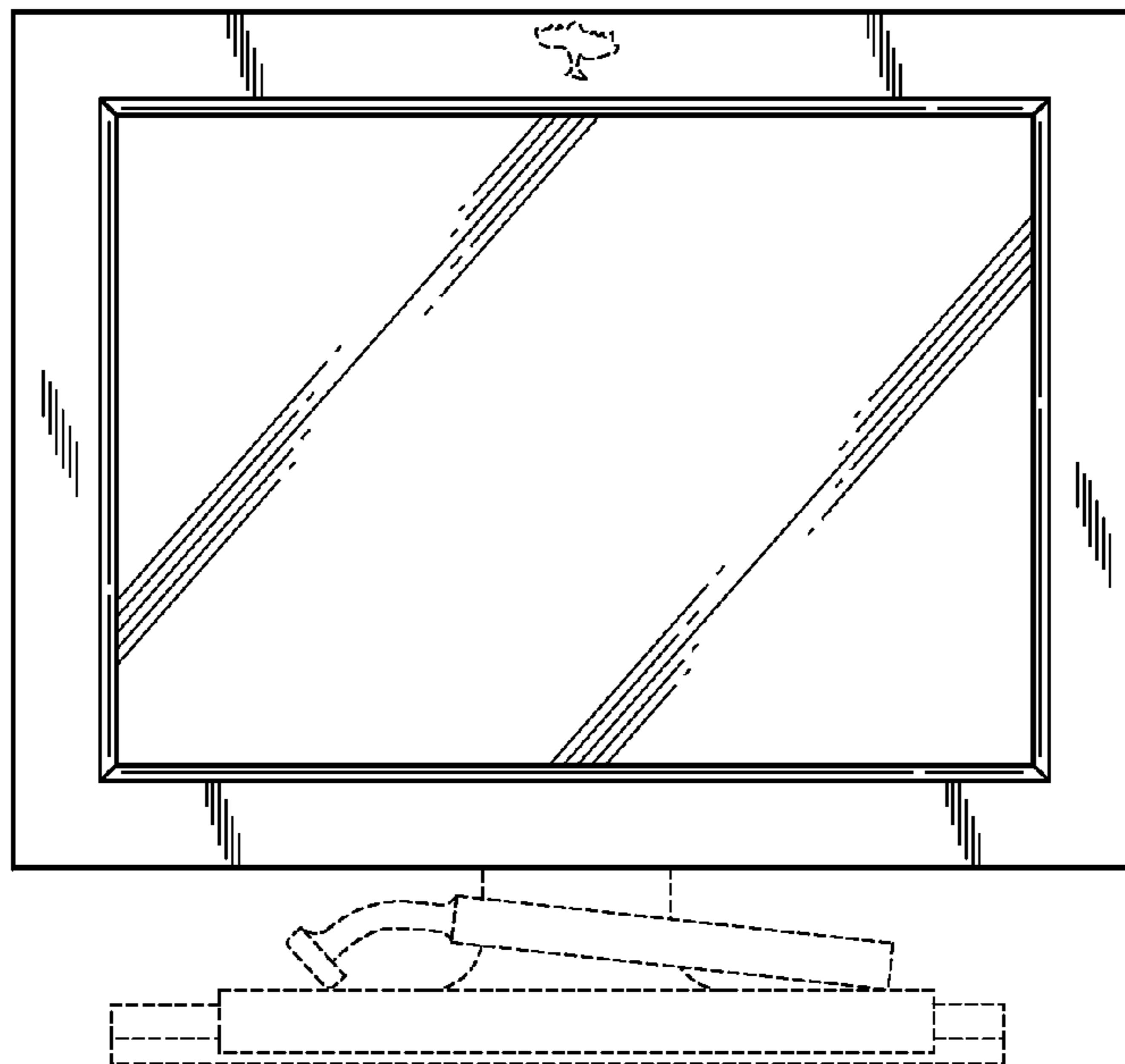


FIG. 3

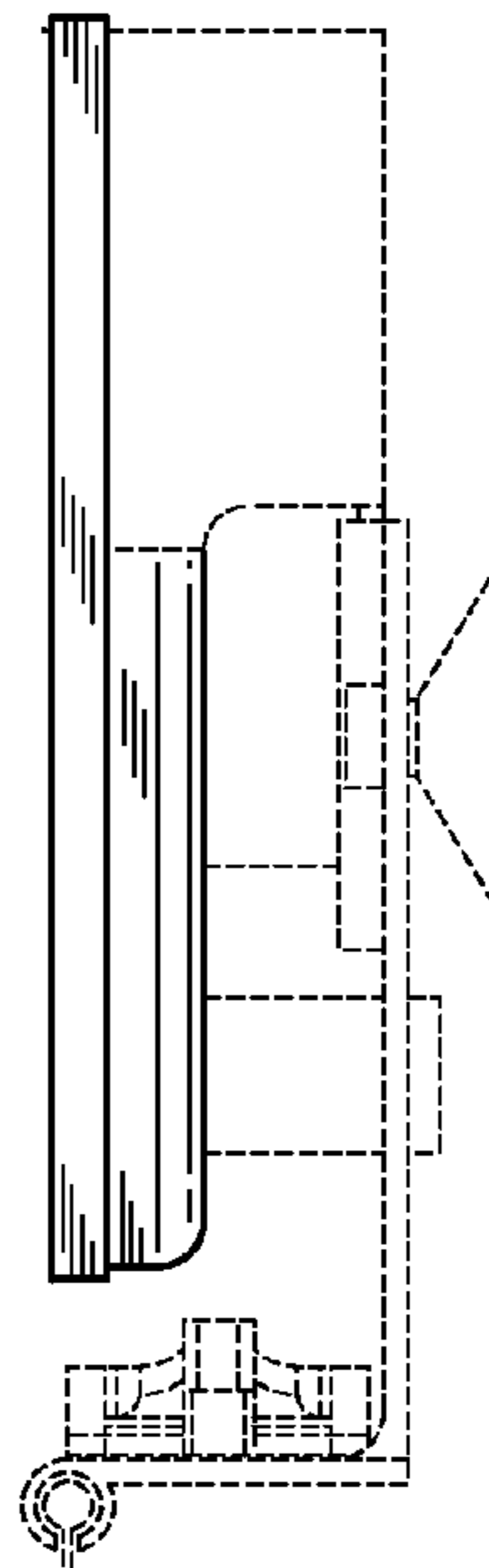


FIG. 4

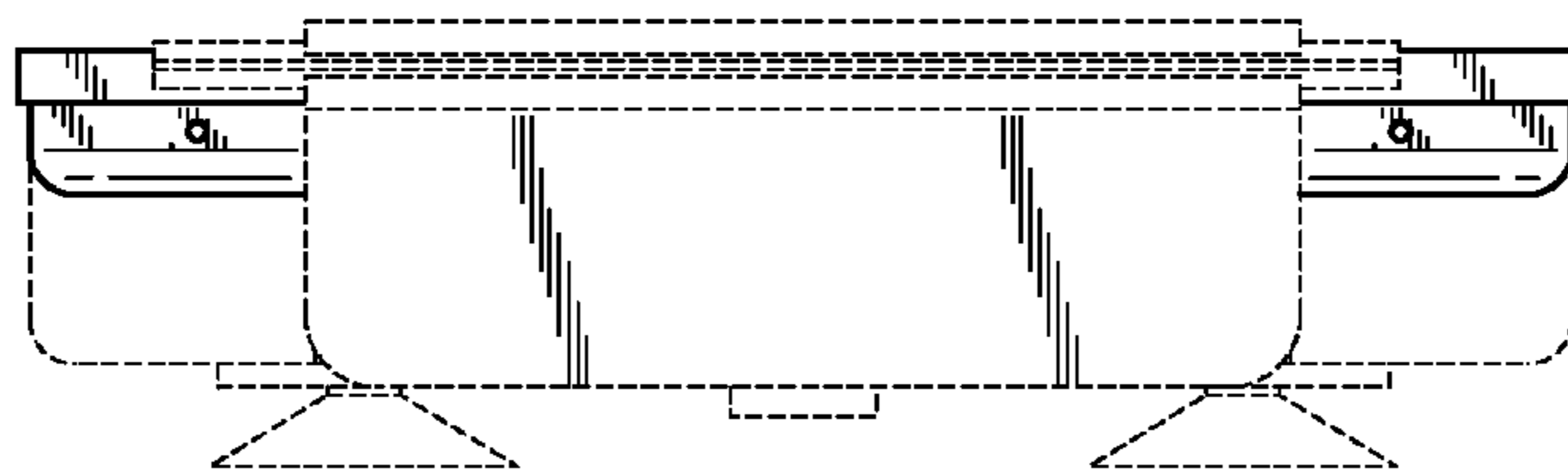


FIG. 6

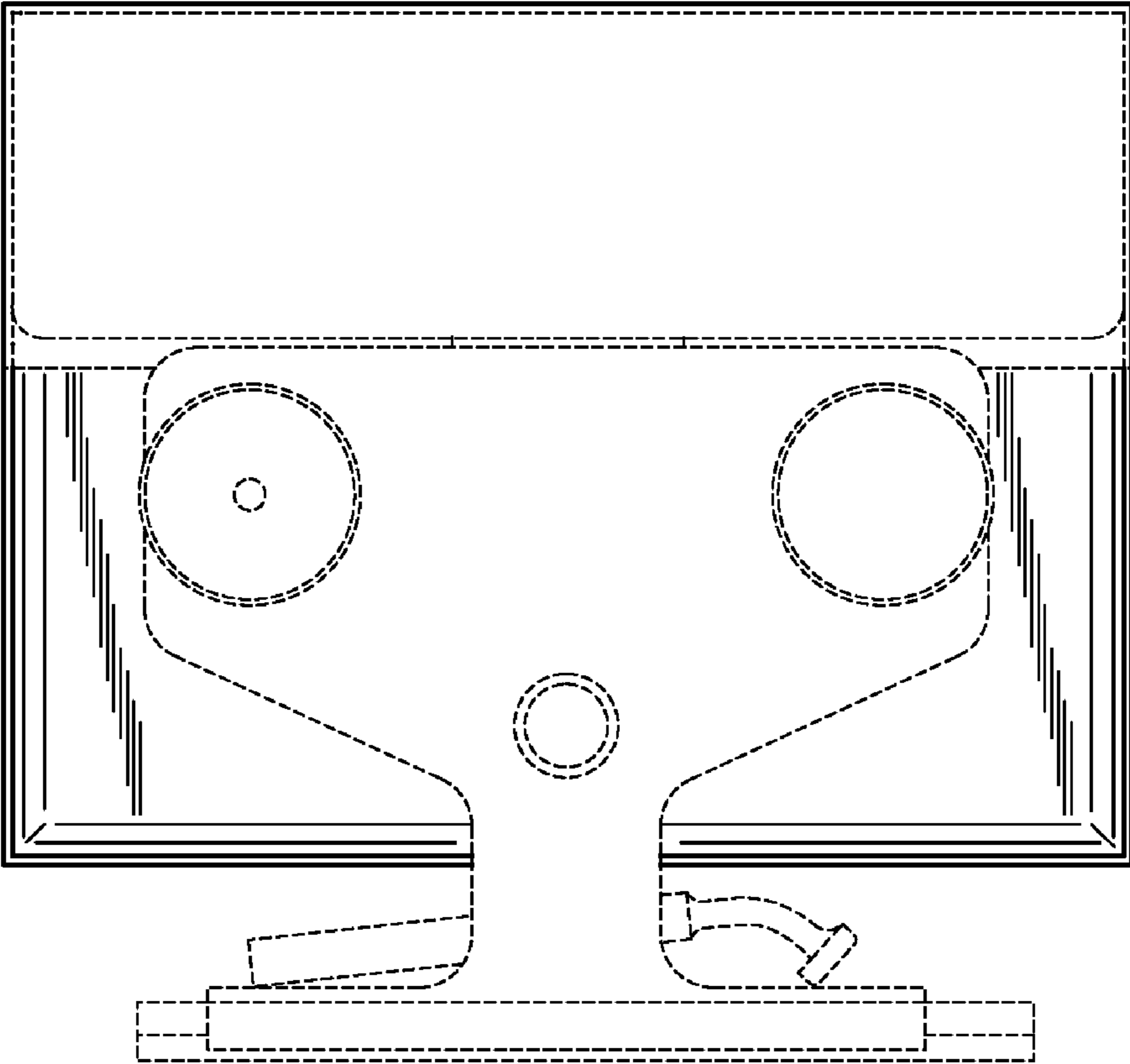


FIG. 7