



US00D638627S

(12) **United States Design Patent**
Romero et al.

(10) **Patent No.:** **US D638,627 S**

(45) **Date of Patent:** **** *May 31, 2011**

(54) **HANDBAG WITH INTERCHANGEABLE
HANDBAG COVER**

(75) Inventors: **Michelle Romero**, West Valley City, UT
(US); **Annette B. Cavaness**, Provo, UT
(US); **Christian J. Seegmiller**, Riverton,
UT (US)

(73) Assignee: **Miche Bag, LLC**, South Jordan, UT
(US)

(*) Notice: This patent is subject to a terminal dis-
claimer.

(**) Term: **14 Years**

(21) Appl. No.: **29/367,215**

(22) Filed: **Aug. 4, 2010**

Related U.S. Application Data

(63) Continuation-in-part of application No. 11/945,174,
filed on Nov. 26, 2007.

(51) **LOC (9) Cl.** **03-01**

(52) **U.S. Cl.** **D3/318**

(58) **Field of Classification Search** D3/232–233,
D3/240–246, 318; 150/100, 103–110, 113–114,
150/118–119

See application file for complete search history.

(56) **References Cited**

U.S. PATENT DOCUMENTS

| | | | |
|-----------|---|---------|-----------|
| 840,086 | A | 1/1907 | Oswald |
| 1,042,934 | A | 9/1912 | Levy |
| 1,960,396 | A | 5/1934 | Rosenberg |
| 1,972,577 | A | 9/1934 | Walinsky |
| 1,978,971 | A | 10/1934 | Thornhill |
| 2,023,144 | A | 5/1935 | Miller |

(Continued)

FOREIGN PATENT DOCUMENTS

FR 1117240 5/1956

(Continued)

OTHER PUBLICATIONS

“The Smart Handbag”, The Bernina Connection, LLC Online Cata-
log with secure transactions, http://berninaconnection.com/cgi-bin/Store/store.cgi?product=patterns_main&productid=0 (accessed
Mar. 21, 2007).

(Continued)

Primary Examiner — Holly Baynham

(74) *Attorney, Agent, or Firm* — Workman Nydegger

(57) **CLAIM**

The ornamental design for an handbag with interchangeable
handbag cover, as shown and described.

DESCRIPTION

FIG. 1 is a top perspective view of an handbag with inter-
changeable handbag cover in a partially attached conforma-
tion about an exemplary base handbag shown in phantom;

FIG. 2 is a top perspective view thereof with the handbag
cover shown in a closed or attached position about the base
handbag shown in phantom;

FIG. 3 is an isolated, perspective view of the handbag cover in
the closed position;

FIG. 4 is an elevated front view thereof, with the opposing
back view being a minor image thereof;

FIG. 5 is a top, plan view thereof;

FIG. 6 is an elevated, left side view thereof, with the opposing
right side being a minor image thereof;

FIG. 7 is bottom view thereof;

FIG. 8 is a top, plan view of the handbag cover in an open,
extended position;

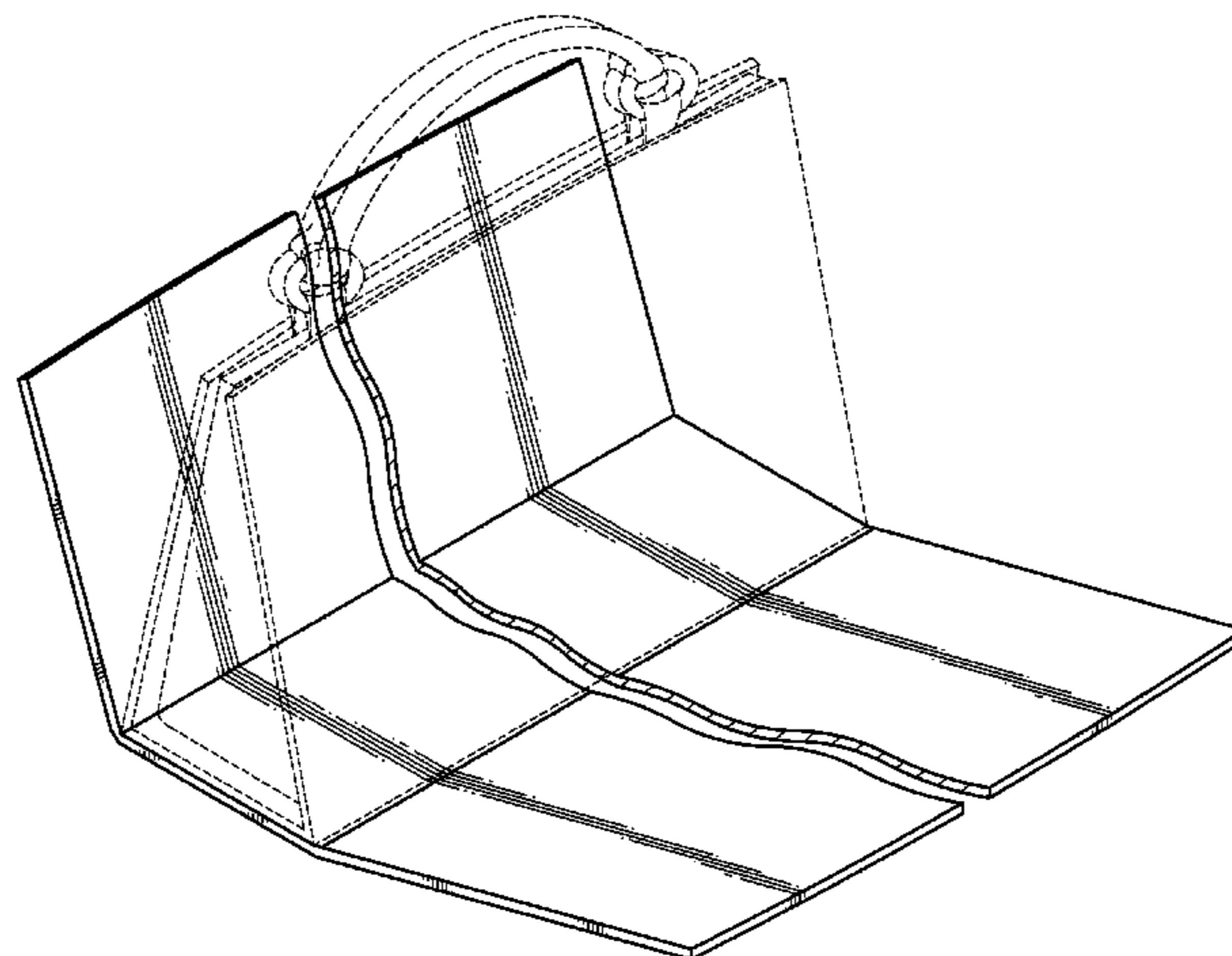
FIG. 9 is an elevated side view thereof, with the opposing side
being a minor image thereof; and,

FIG. 10 is an elevated front view thereof, with the opposing
back view being a minor image thereof.

The dotted lines illustrate environmental features of an exem-
plary base handbag to which the handbag cover attaches, and
form no part of the claimed design.

The claimed design is shown broken away to illustrate inde-
terminate length.

1 Claim, 4 Drawing Sheets



U.S. PATENT DOCUMENTS

2,104,439 A 1/1938 Schein
 2,118,400 A 5/1938 Goldberg
 2,131,382 A 9/1938 Lobat
 D129,151 S 8/1941 Lewis
 D131,188 S 1/1942 Lewis
 2,369,239 A * 2/1945 Khoury 150/103
 2,369,482 A 2/1945 Morris
 2,437,382 A 9/1948 Czap
 2,464,313 A 3/1949 Holden
 2,477,388 A 7/1949 Moore
 D155,608 S 10/1949 Hilf
 2,622,647 A * 12/1952 Arnthal 150/118
 2,627,885 A * 2/1953 Cassell 150/105
 2,656,870 A 10/1953 Wishnia
 2,779,373 A 1/1957 Koepke
 2,809,685 A 10/1957 Lowy
 2,893,457 A 7/1959 Wilson
 3,182,701 A 5/1965 Ginsburg
 3,234,985 A 2/1966 Gilbert
 3,451,545 A 6/1969 Davis
 3,556,187 A 1/1971 Speakes
 3,575,226 A 4/1971 Chapman
 D224,072 S 6/1972 Rosenblum
 3,669,169 A * 6/1972 Lubliner 150/107
 4,088,167 A 5/1978 Schwartz
 4,112,991 A 9/1978 Barbaresi
 D252,596 S 8/1979 Adler
 4,260,004 A 4/1981 Domke
 4,263,951 A 4/1981 Siegel
 4,610,286 A 9/1986 Cyr
 4,754,790 A 7/1988 Meyers
 4,842,032 A 6/1989 Mastronardo
 4,907,633 A 3/1990 Eckstein
 5,096,030 A 3/1992 Espinosa
 5,178,198 A 1/1993 Fitzgerald
 D334,661 S 4/1993 Kohn
 5,207,254 A 5/1993 Fromm
 D346,694 S 5/1994 Cyr
 5,356,004 A 10/1994 Weinreb
 D354,399 S 1/1995 Georges
 5,533,558 A 7/1996 Carey
 5,725,039 A 3/1998 Macinai
 5,765,618 A 6/1998 Toledano
 5,829,502 A 11/1998 Distefano
 D403,863 S 1/1999 Briganti
 D408,146 S 4/1999 Briganti
 5,894,975 A 4/1999 Holden
 5,911,262 A 6/1999 Steinhart
 5,839,138 A 11/1999 Smith
 5,983,464 A 11/1999 Bauer
 5,983,969 A 11/1999 Morgan
 6,003,573 A 12/1999 Owens
 6,029,723 A 2/2000 Baquero
 6,116,412 A 9/2000 Rogers
 D432,310 S 10/2000 Salz
 6,129,126 A 10/2000 Restivo
 6,173,837 B1 1/2001 Marconi
 6,179,025 B1 1/2001 Sutton
 D437,687 S 2/2001 Salz
 6,186,201 B1 2/2001 Salz
 6,237,660 B1 5/2001 Giardino
 D443,139 S 6/2001 Salz
 D443,764 S 6/2001 Salz
 D444,943 S 7/2001 Nastasi
 6,394,157 B2 5/2002 Luna
 6,422,278 B1 7/2002 Grogan
 6,446,688 B1 9/2002 Sutton
 6,543,499 B2 4/2003 McCreery
 6,564,838 B1 5/2003 Cruickshank
 D476,809 S 7/2003 Ko
 D495,877 S 9/2004 Thorsen

6,796,344 B2 9/2004 Chen
 6,807,992 B2 10/2004 Powers
 D497,716 S 11/2004 de Baschmakoff
 6,820,664 B1 11/2004 Ritch
 6,968,880 B2 11/2005 Battaglia
 6,971,424 B1 12/2005 Angevine
 7,028,730 B2 4/2006 Pace
 7,222,649 B1 5/2007 Fox
 7,461,676 B2 12/2008 Huie
 D610,801 S 3/2010 Romero
 D611,705 S 3/2010 Romero
 D613,062 S 4/2010 Romero
 2001/0015248 A1 8/2001 McCreery
 2002/0029831 A1 3/2002 Pendergrass
 2002/0066505 A1 6/2002 Grogan
 2003/0000612 A1 1/2003 Sutton
 2003/0177664 A1 9/2003 Monassebian
 2004/0050468 A1 3/2004 Powers
 2004/0187988 A1 9/2004 Andrews
 2005/0028908 A1 2/2005 Schaus
 2005/0173034 A1 8/2005 Antrobus
 2005/0274441 A1 12/2005 Pace
 2006/0021684 A1 2/2006 DeCoro
 2006/0157175 A1 7/2006 Pace
 2006/0174984 A1 8/2006 Burns
 2006/0208043 A1 9/2006 Plantan
 2006/0237106 A1 10/2006 Pearson
 2006/0266452 A1 11/2006 Huie
 2006/0278311 A1 12/2006 Mittelstaedt
 2007/0102077 A1 5/2007 Parker-Ogden
 2007/0163689 A1 7/2007 Pace
 2007/0209742 A1 9/2007 Morgan
 2007/0221136 A1 9/2007 Buttner
 2007/0240798 A1 10/2007 Bihler
 2008/0006355 A1 1/2008 Gomez
 2008/0185082 A1 8/2008 Mejia
 2008/0230158 A1 9/2008 Romero
 2009/0065110 A1 3/2009 Cassella
 2009/0188592 A1 7/2009 Connacher
 2010/0218863 A1 9/2010 Church et al.

FOREIGN PATENT DOCUMENTS

GB 2350285 A1 11/2000
 GB 2377882 A1 1/2003
 JP 2002051816 2/2002
 KR 20-030050218 5/2004
 WO 2001091596 12/2001
 WO 2005008552 A1 1/2005
 WO 2006002005 A2 1/2006
 WO 2006122197 11/2006

OTHER PUBLICATIONS

“Rock Album Cover Tote Bag with interchangeable panel”, Eco-Artware, <http://www.eco-artware.com/catalog/MMM1-album-tote.shtml> (accessed Mar. 21, 2007).
 International Search Report, PCT/US2007/085339, Mailed Mar. 14, 2008.
 International Search Opinon, PCT/US2007/085339, Mailed Mar. 14, 2008.
 European Search Report, 07845129.1-1258/2124666, Mailed Mar. 25, 2010.
 European Search Report, 09014069.0-1258/2163169, Mailed May 3, 2010.
 International Search Opinion, PCT/US2009/054896, Mailed Oct. 30, 2009.
 Office Action Mailed Oct. 27, 2009, U.S. Appl. No. 29/320,888.
 Office Action Mailed Mar. 9, 2010, U.S. Appl. No. 11/945,174.
 Office Action Mailed Jun. 23, 2010, U.S. Appl. No. 11/945,174.

* cited by examiner

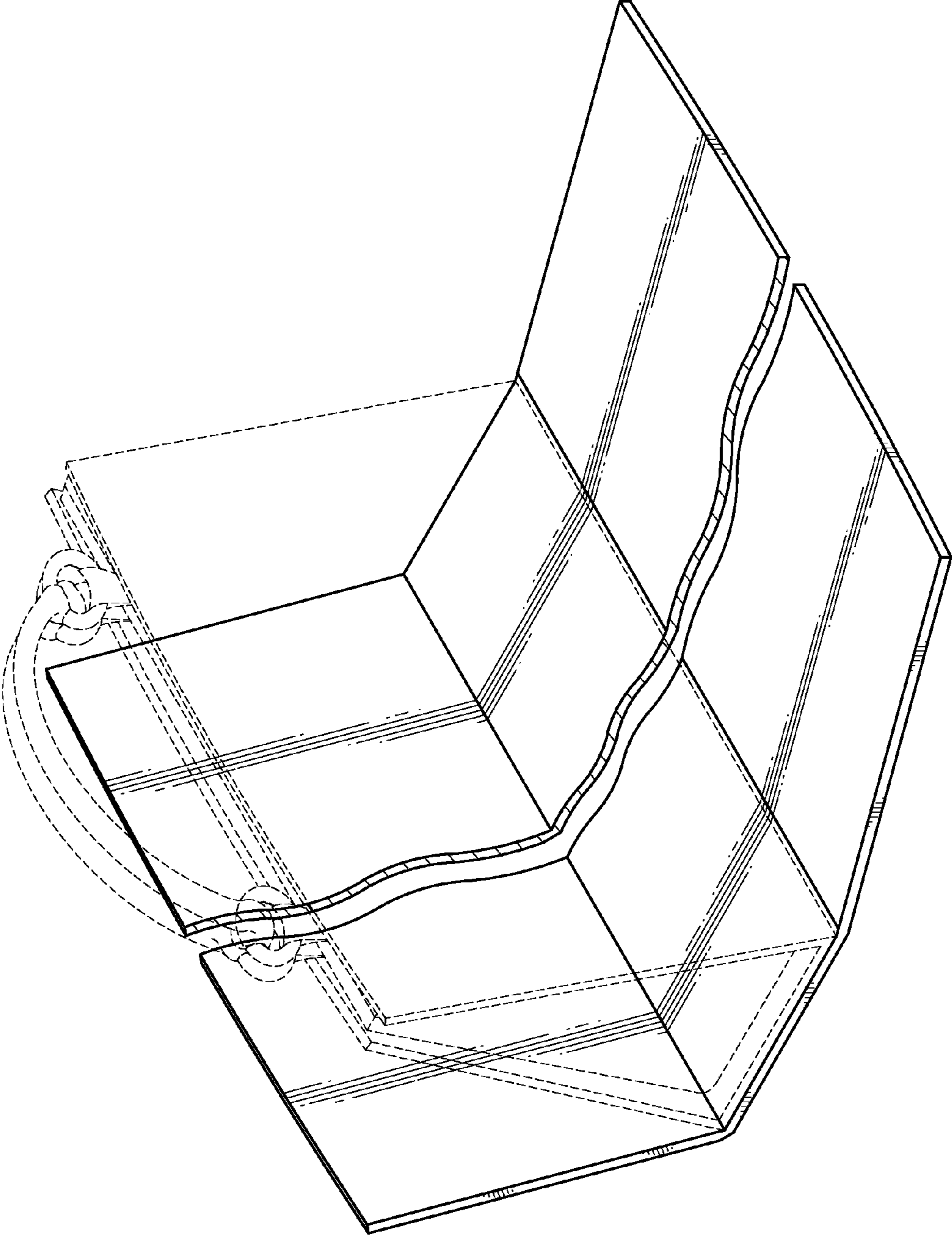


Fig. 1

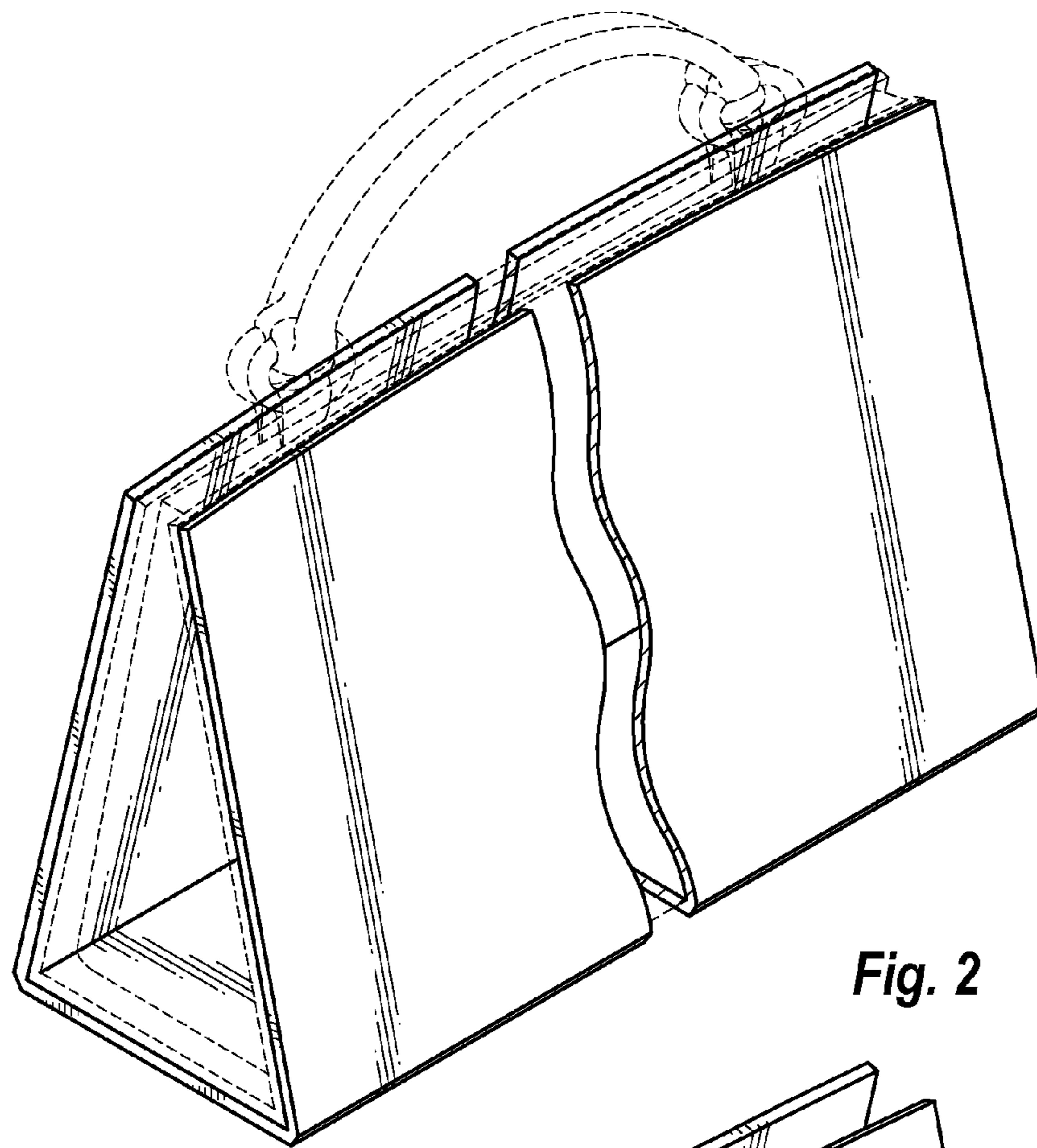


Fig. 2

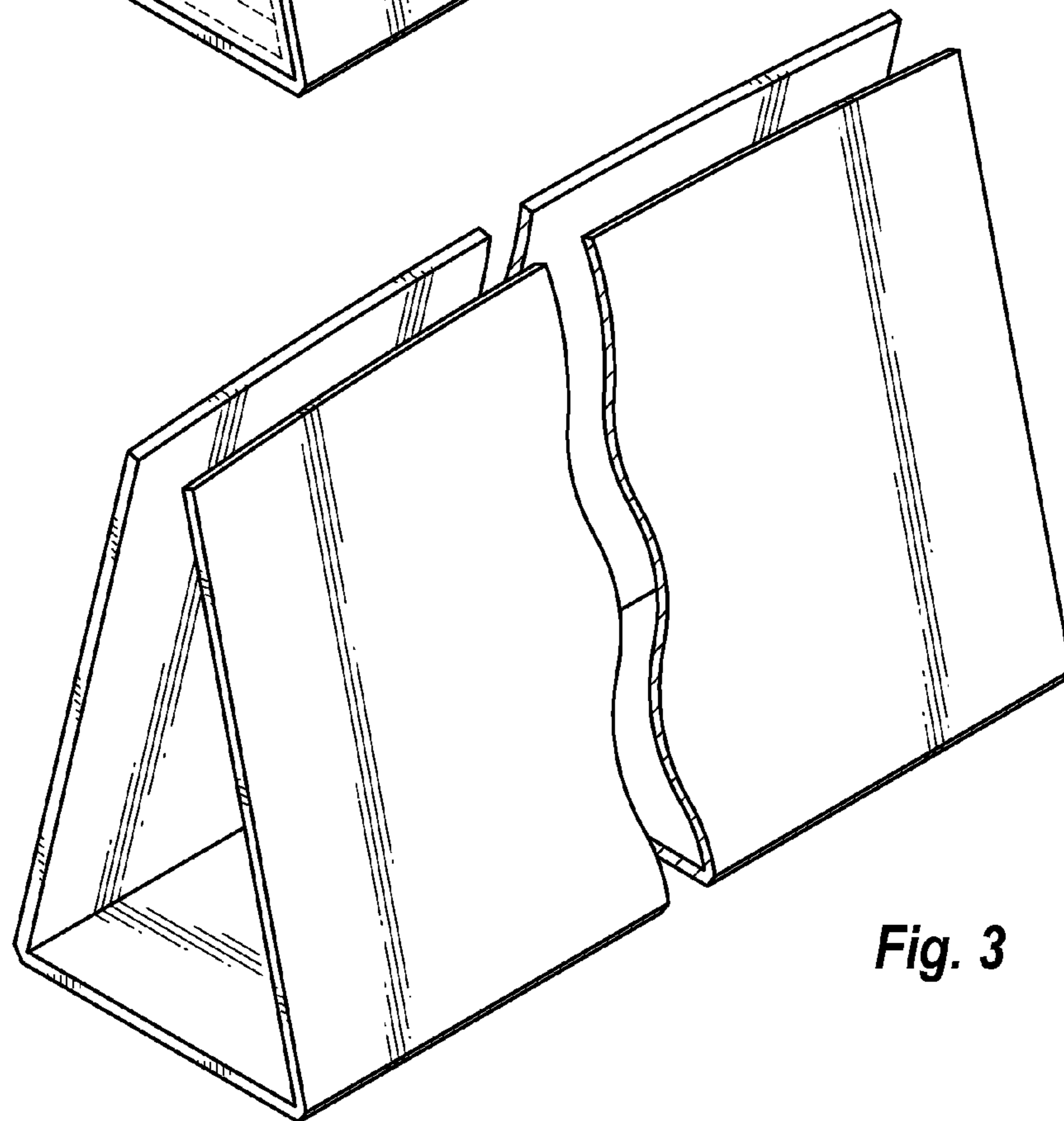


Fig. 3

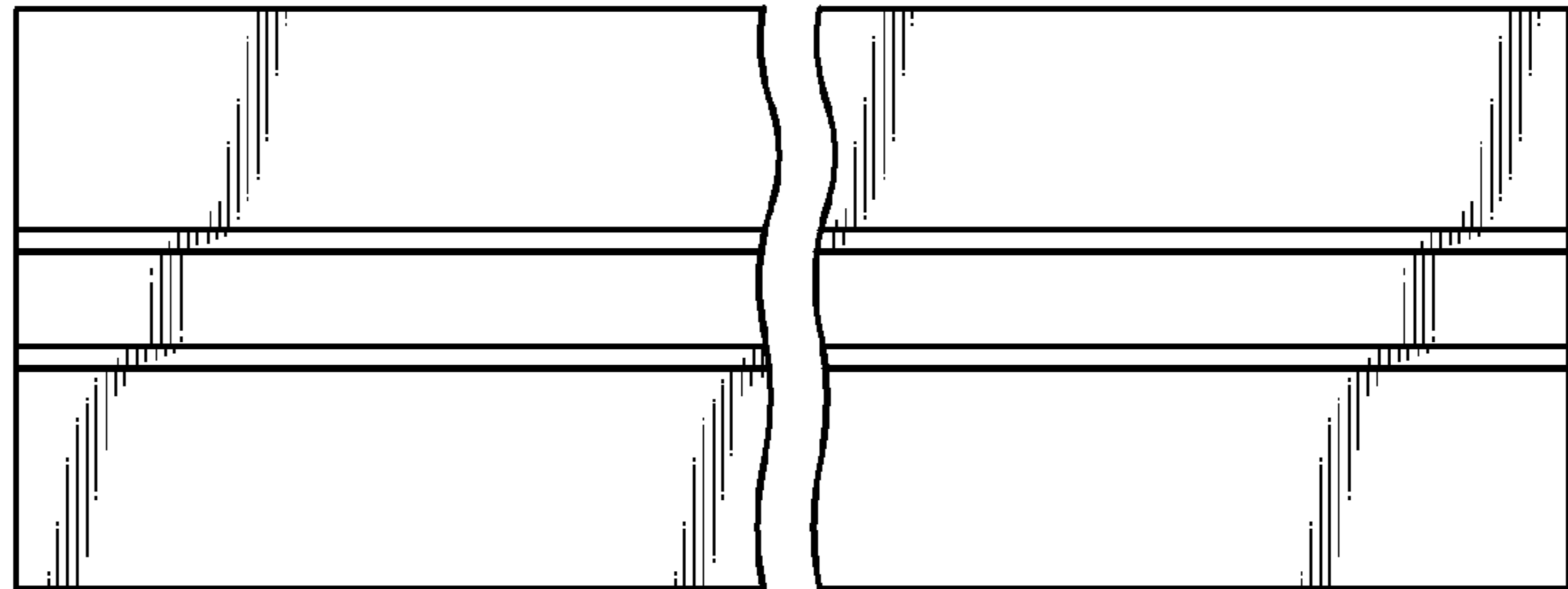


Fig. 5

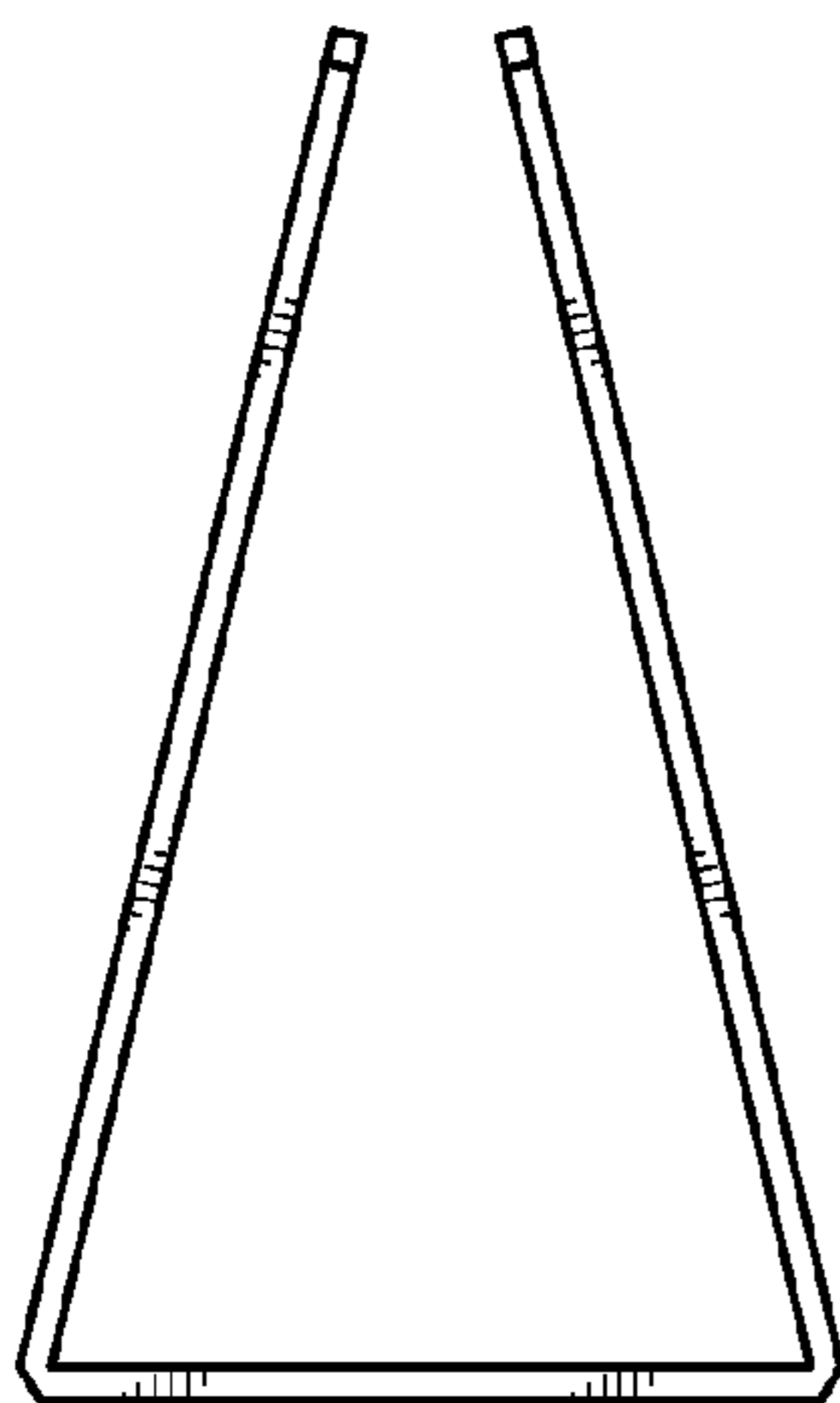


Fig. 6

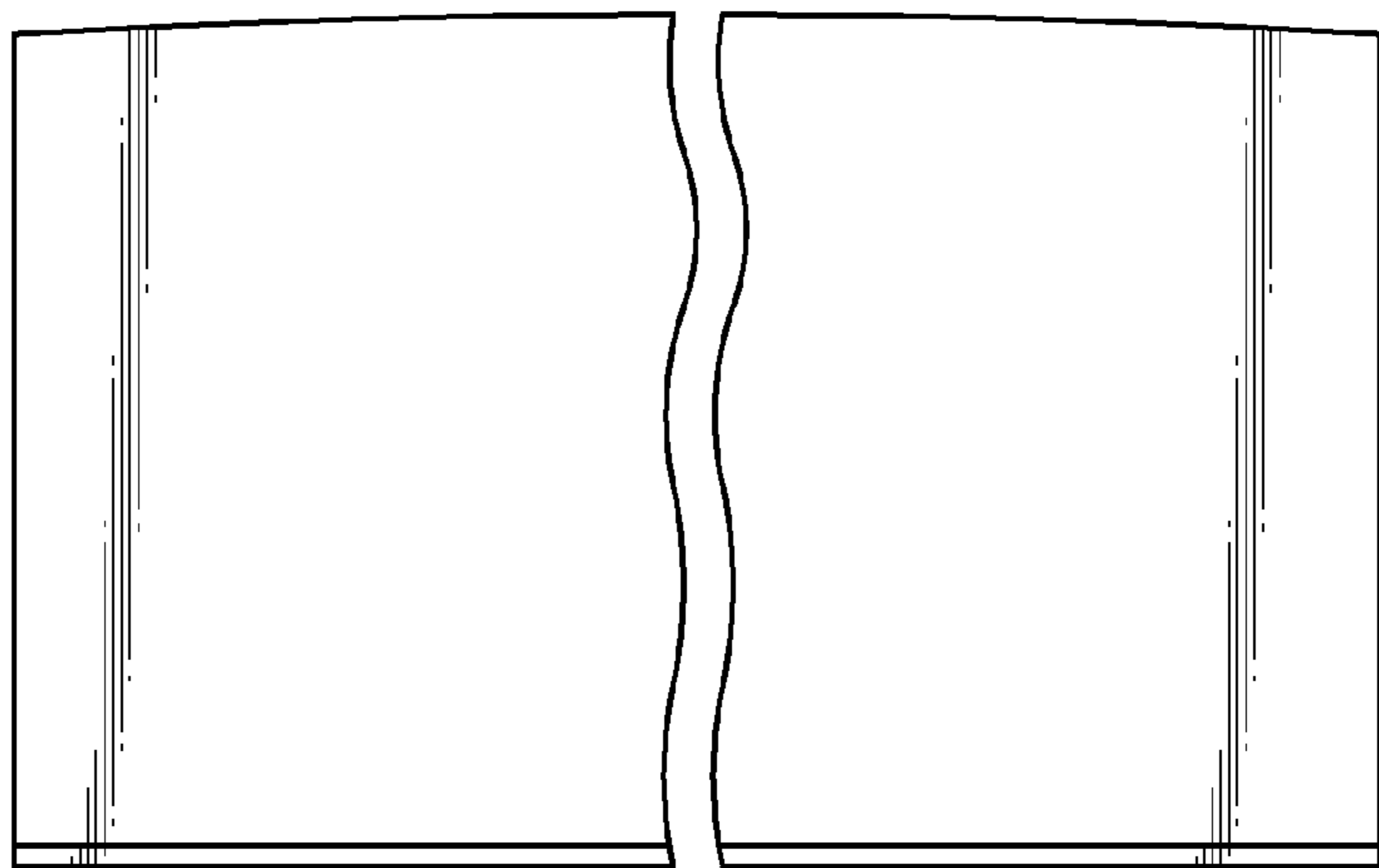


Fig. 4

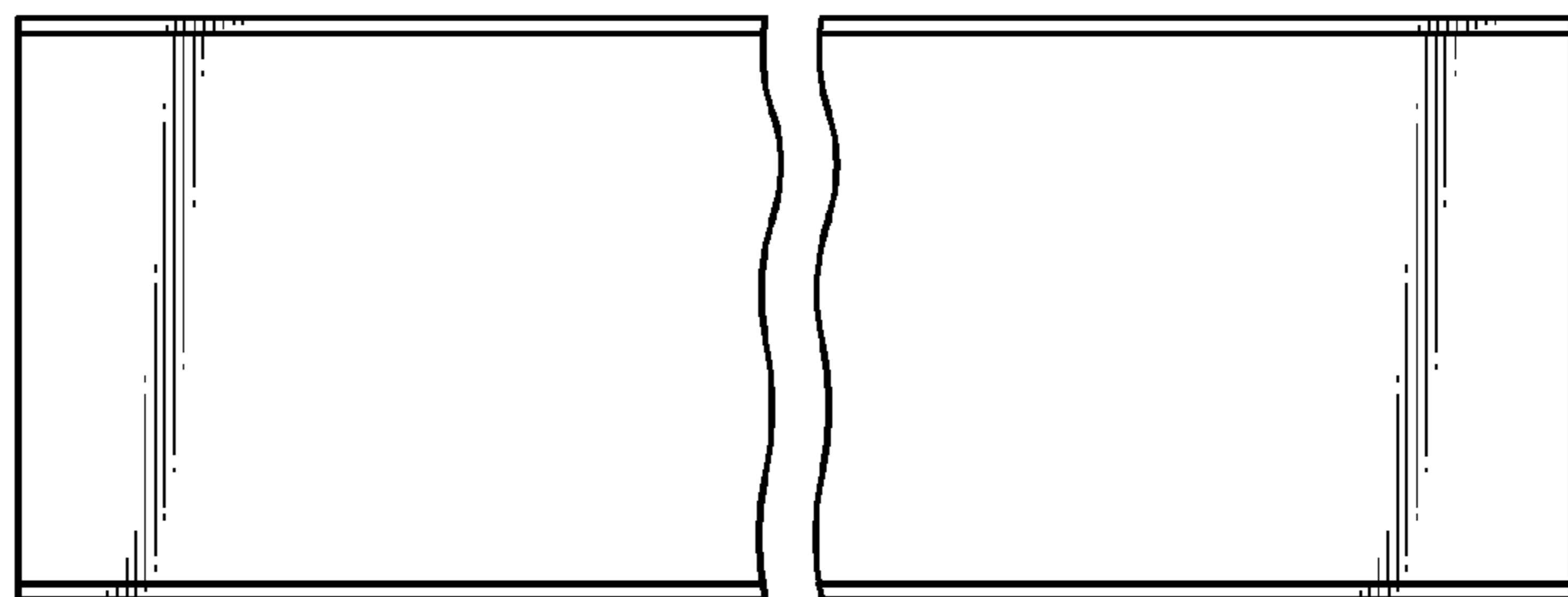


Fig. 7



Fig. 10

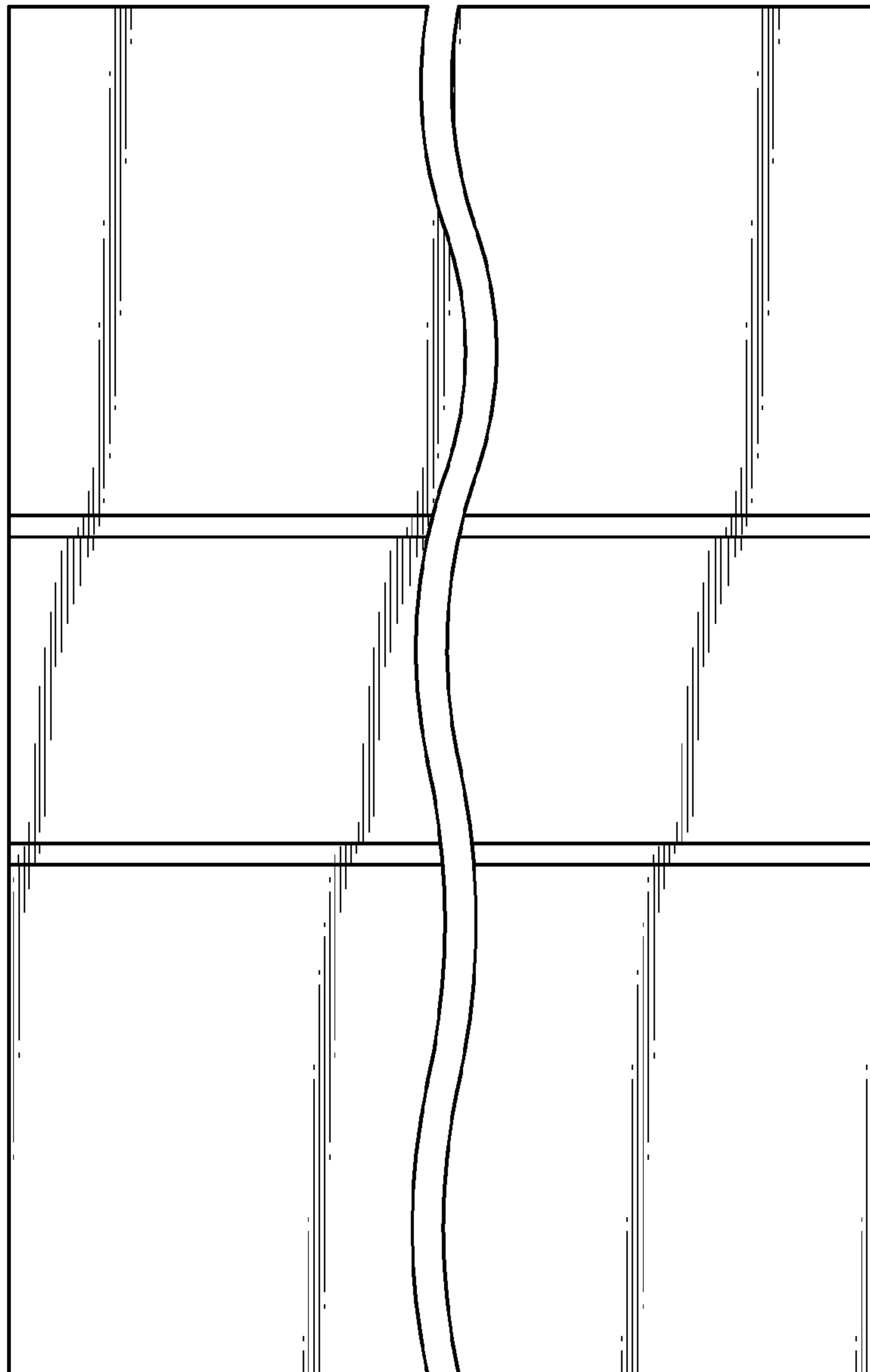


Fig. 8



Fig. 9