



US00D638626S

(12) **United States Design Patent**  
**Vilkomirski et al.**

(10) **Patent No.:** **US D638,626 S**

(45) **Date of Patent:** **\*\* May 31, 2011**

(54) **CONTAINER**

(75) Inventors: **Gil Vilkomirski**, Petach-Tiqwa (IL);  
**Iftach Galler**, Kfar-Hess (IL)

(73) Assignee: **The Stanley Works Isreal Ltd.**, Rosh  
Ha' Ayin (IL)

(\*\*) Term: **14 Years**

(21) Appl. No.: **29/352,549**

(22) Filed: **Dec. 22, 2009**

(51) **LOC (9) Cl.** ..... **03-01**

(52) **U.S. Cl.** ..... **D3/318**

(58) **Field of Classification Search** ..... D3/272-273,  
D3/279, 281-282, 294, 318; 206/223, 307,  
206/308.2, 569-570, 574, 494

See application file for complete search history.

(56) **References Cited**

**U.S. PATENT DOCUMENTS**

D331,836 S \* 12/1992 Newby, Sr. .... D12/423  
D335,220 S \* 5/1993 Ward et al. .... D3/302  
D349,214 S \* 8/1994 Wedi ..... D7/605  
D450,921 S \* 11/2001 Kirkland ..... D3/206

D462,168 S \* 9/2002 Klemmensen et al. .... D3/279  
D491,358 S \* 6/2004 Hofman et al. .... D3/273  
D579,201 S \* 10/2008 Galli ..... D3/273

\* cited by examiner

*Primary Examiner* — Holly H Baynham

(74) *Attorney, Agent, or Firm* — Pillsbury Winthrop Shaw  
Pittman LLP

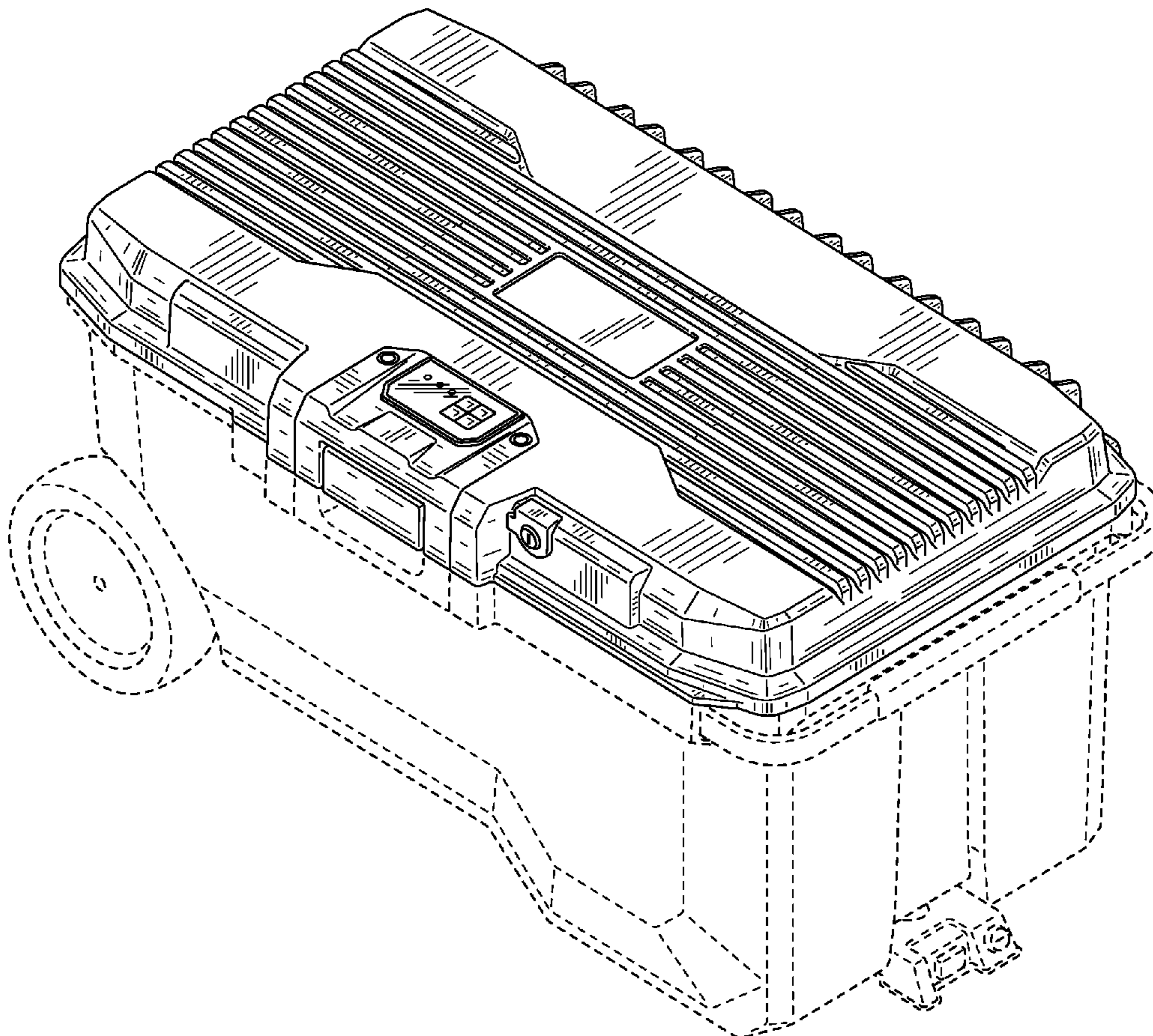
(57) **CLAIM**

The ornamental design for a container, as shown and  
described.

**DESCRIPTION**

FIG. 1 is an isometric view according to our design;  
FIG. 2 is a top plan view of the design of FIG. 1;  
FIG. 3 is a front plan view of the design of FIG. 1;  
FIG. 4 is a rear plan view of the design of FIG. 1;  
FIG. 5 is a right plan view of the design of FIG. 1;  
FIG. 6 is a left plan view of the design of FIG. 1; and,  
FIG. 7 is a bottom plan view of the design of FIG. 1.  
The broken line showing of a container is included for the  
purpose of illustrating environment and forms no part of the  
claimed design.

**1 Claim, 6 Drawing Sheets**



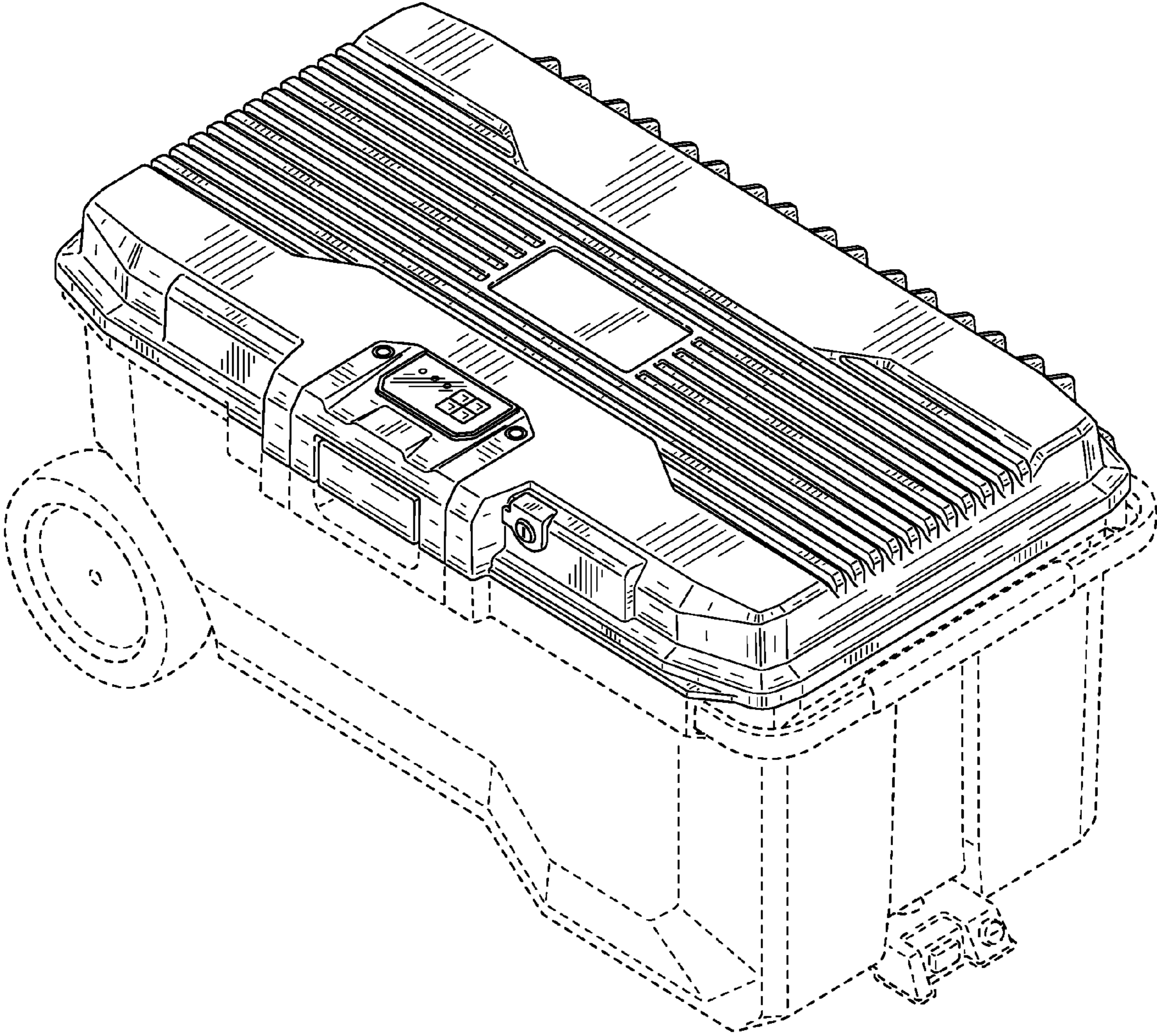


FIG. 1

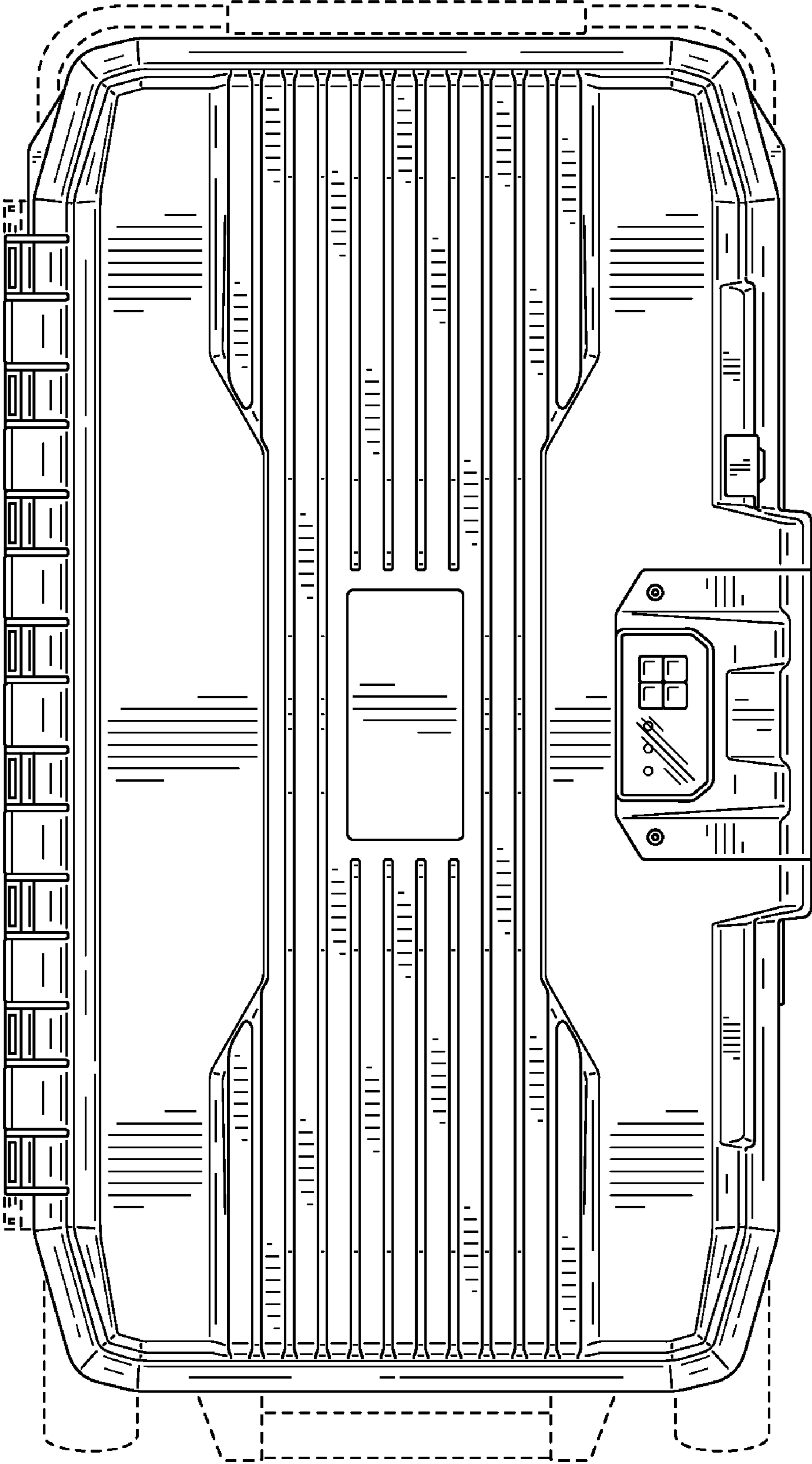


FIG. 2

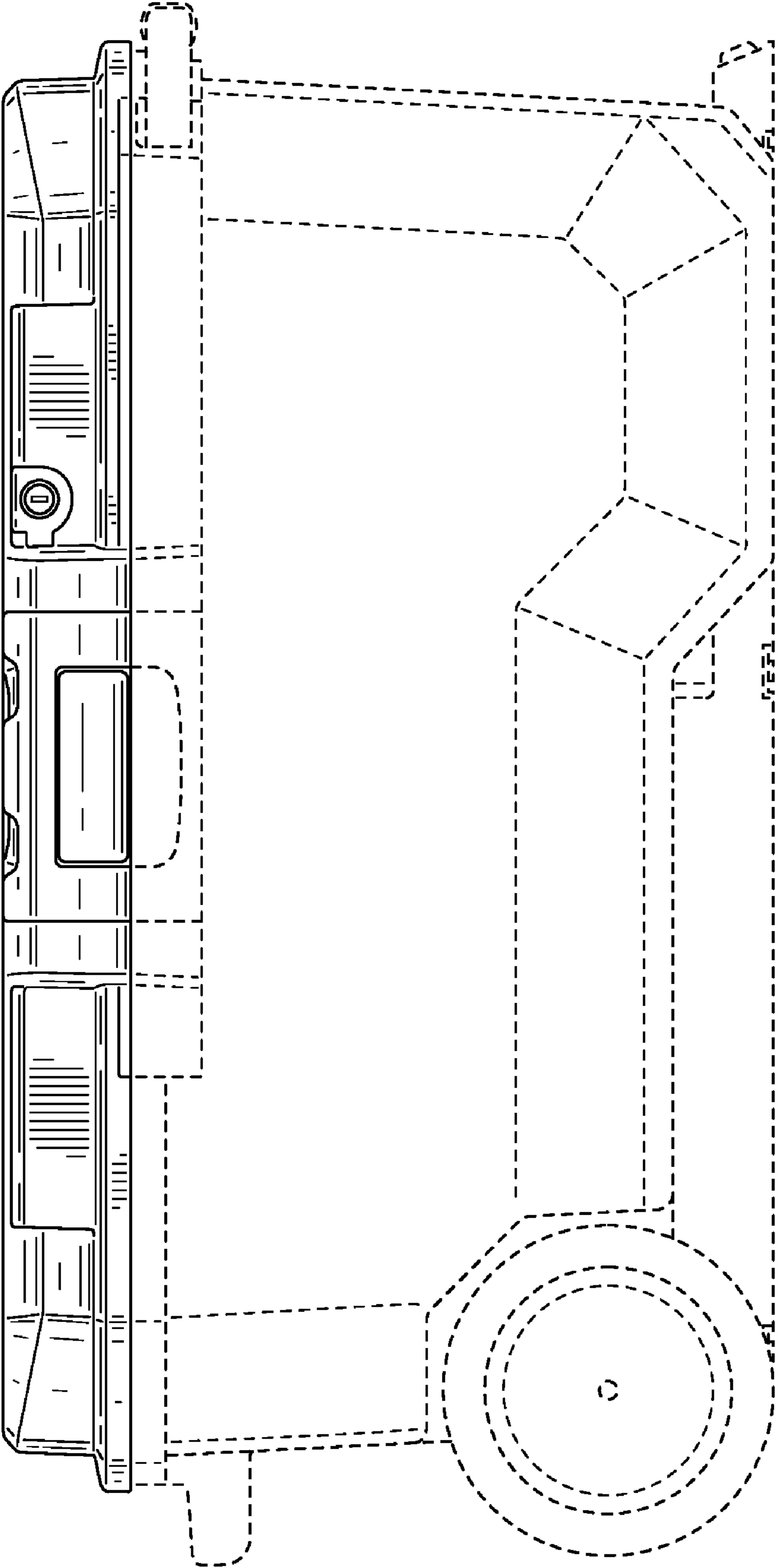


FIG. 3

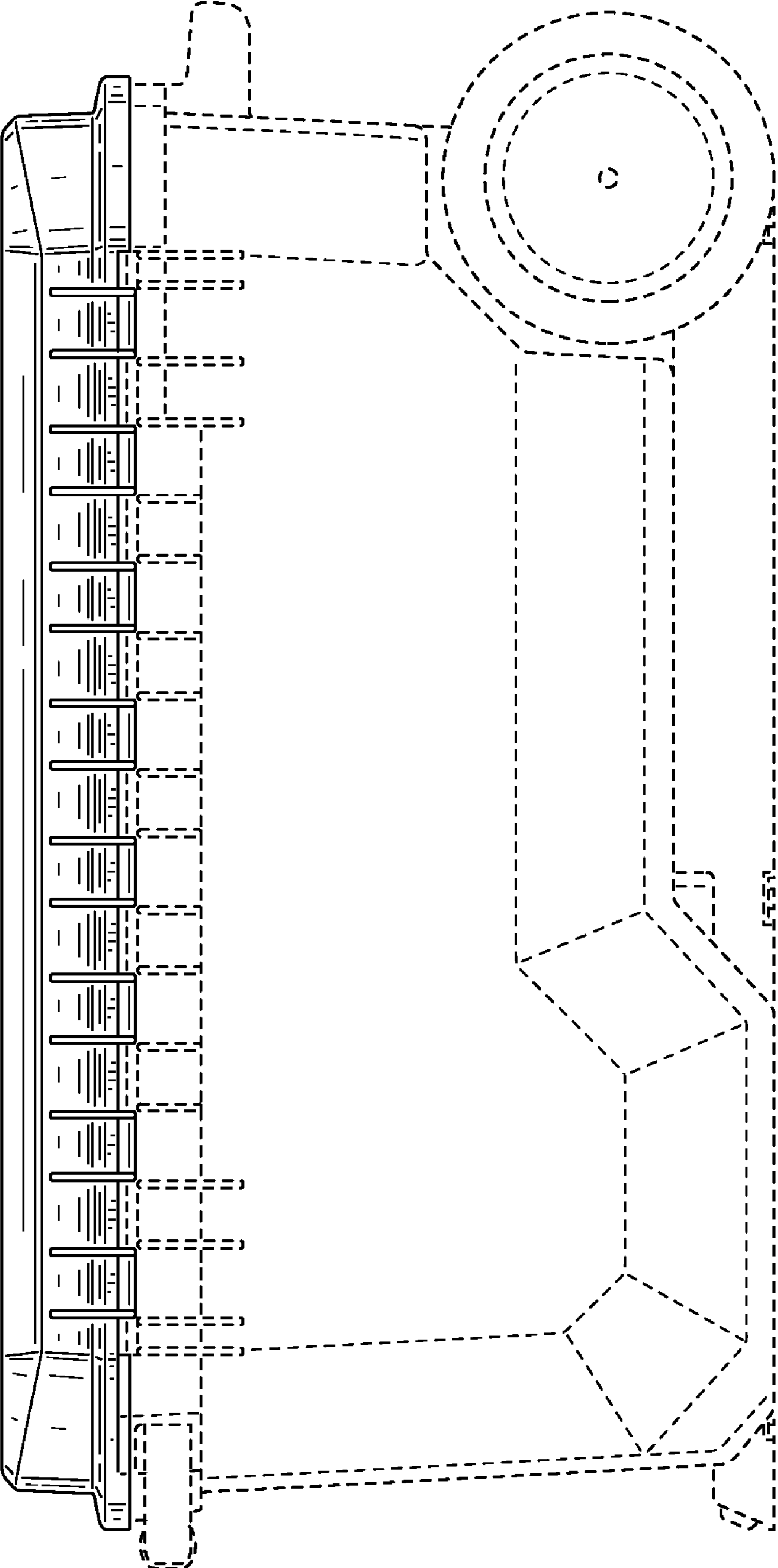


FIG. 4

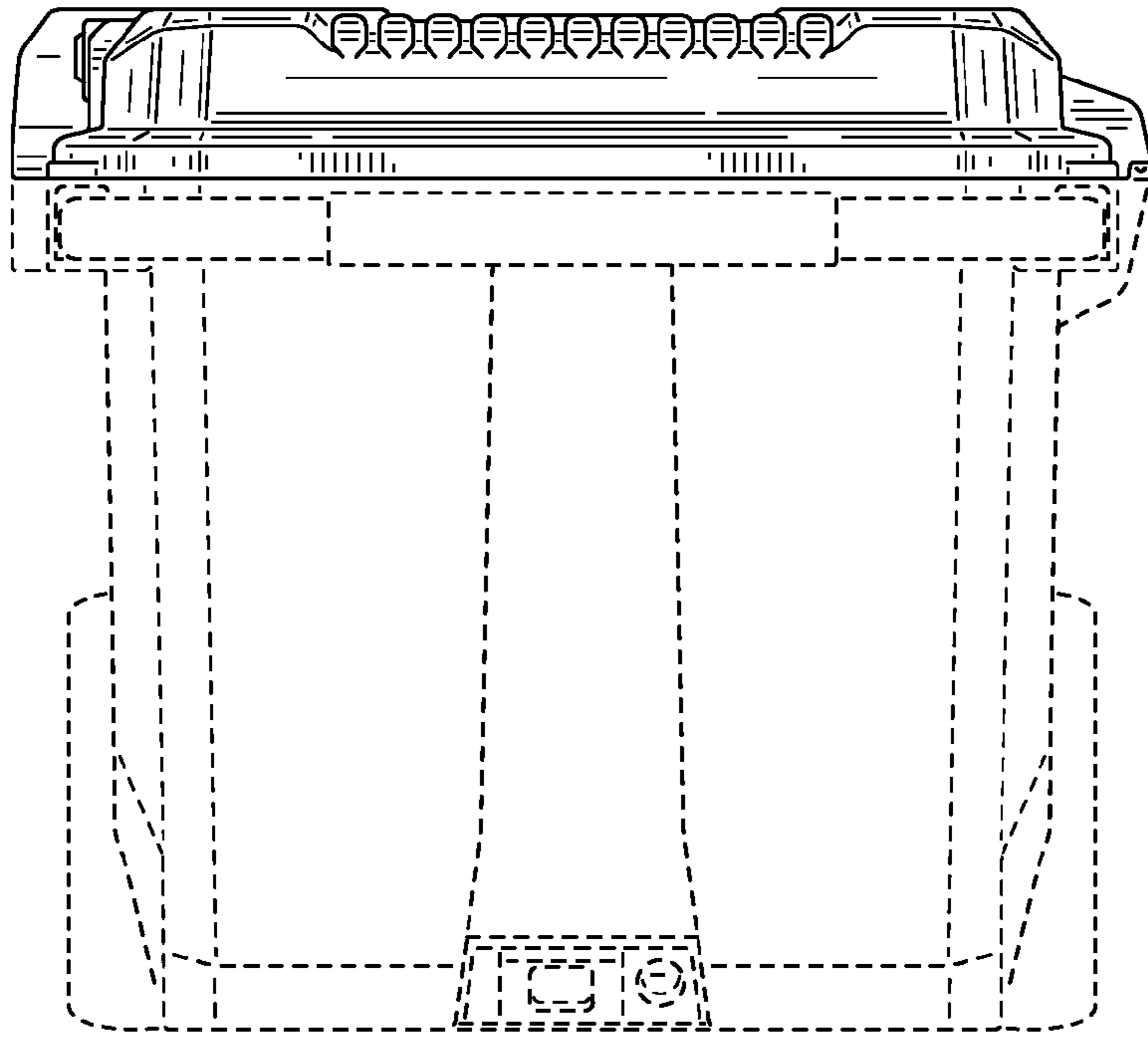


FIG. 5

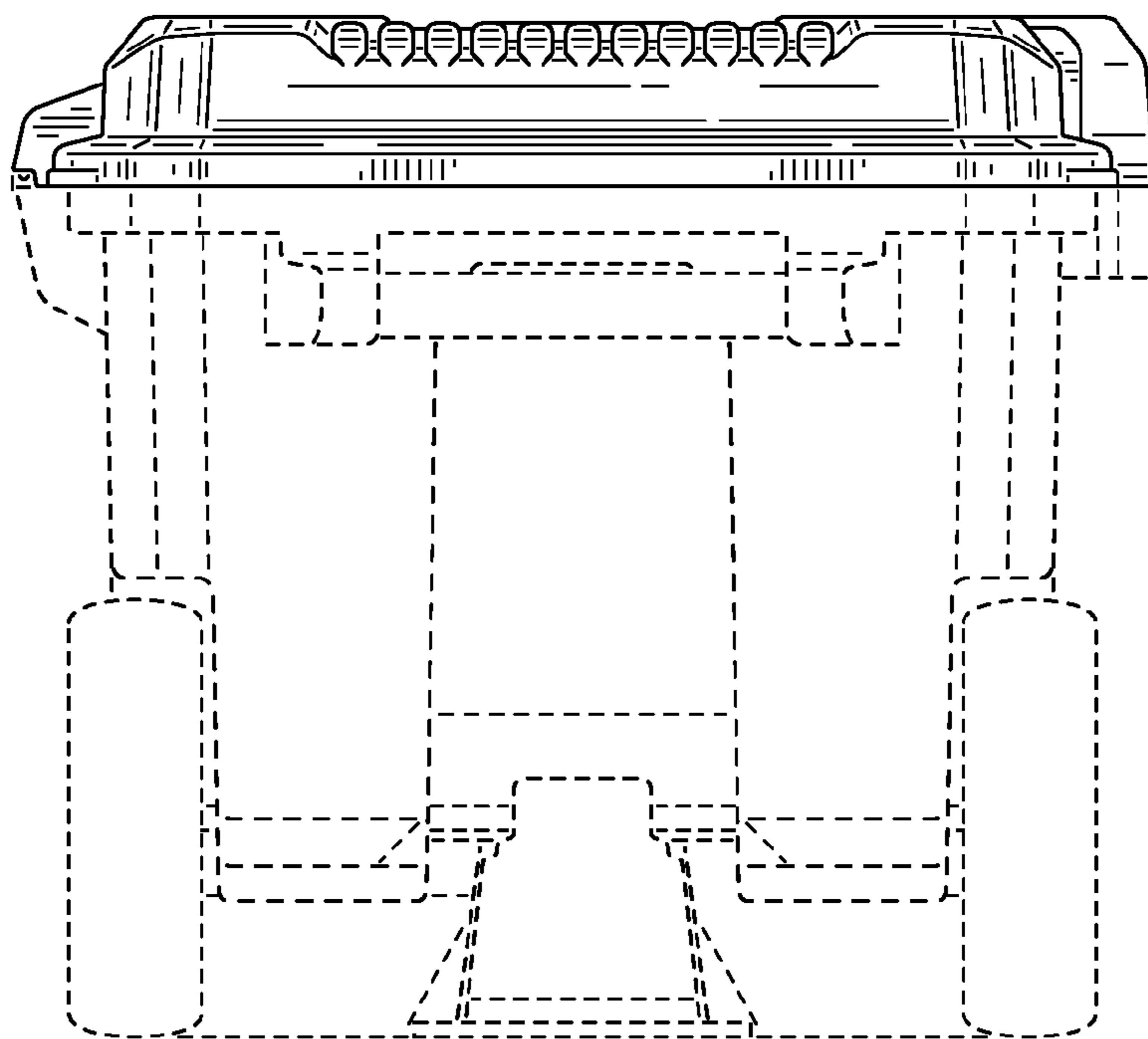


FIG. 6

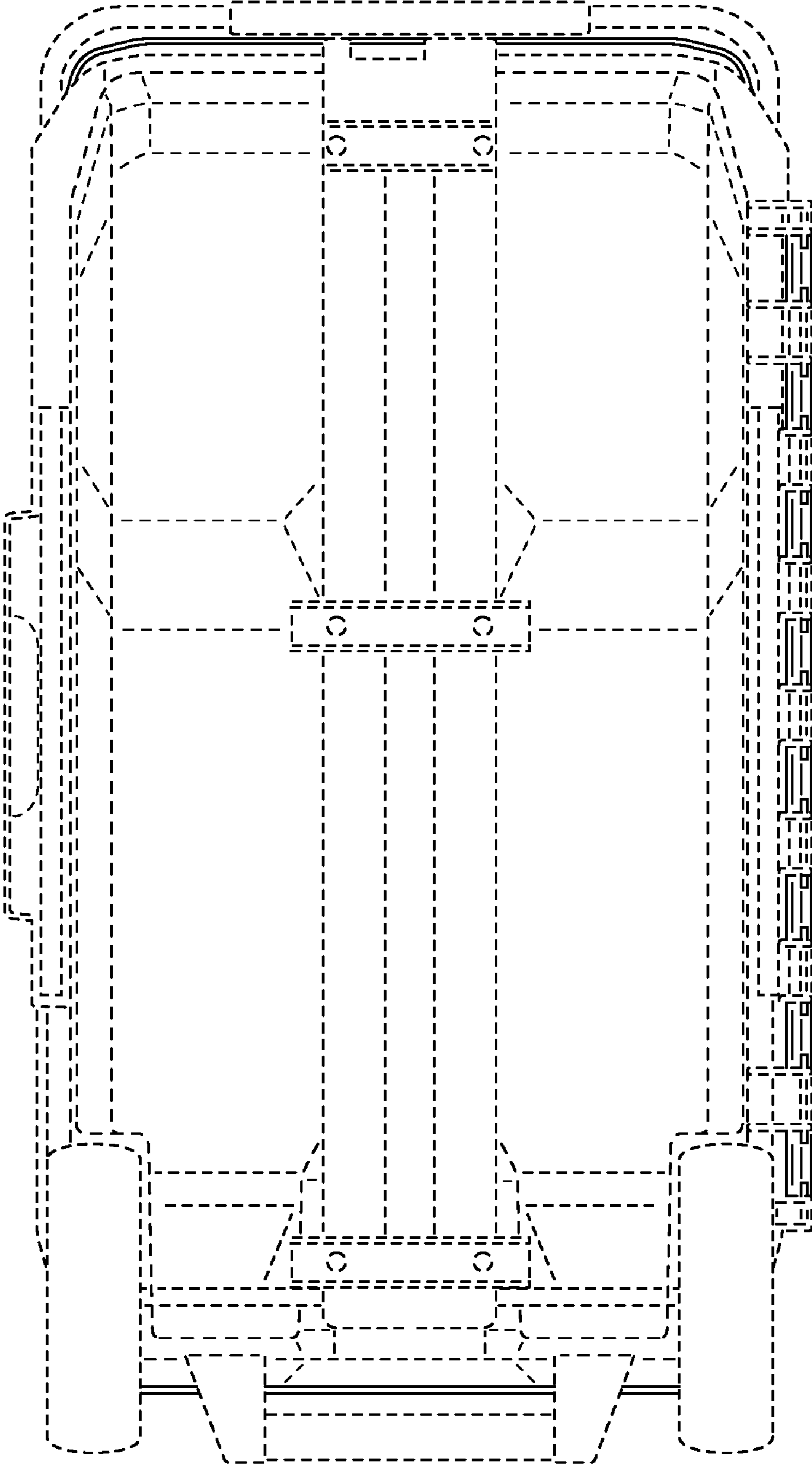


FIG. 7