



US00D638623S

(12) **United States Design Patent**
Chen

(10) **Patent No.:** **US D638,623 S**

(45) **Date of Patent:** **** May 31, 2011**

(54) **MUSICAL INSTRUMENT CASE**

(76) Inventor: **Min-Wei Chen**, Houli Township,
Taichung County (TW)

(**) Term: **14 Years**

(21) Appl. No.: **29/351,114**

(22) Filed: **Nov. 30, 2009**

(51) **LOC (9) Cl.** **03-01**

(52) **U.S. Cl.** **D3/204; D3/217**

(58) **Field of Classification Search** D3/204,
D3/214–217, 221; 224/910; 206/14, 314;
29/416; D7/628; 190/111

See application file for complete search history.

(56) **References Cited**

U.S. PATENT DOCUMENTS

D394,552 S *	5/1998	Melk	D3/287
D423,779 S *	5/2000	Goatcher	D3/283
D487,189 S *	3/2004	Ukitsu et al.	D3/217
D543,021 S *	5/2007	Lee et al.	D3/217
D605,397 S *	12/2009	Shor et al.	D3/217

D607,199 S * 1/2010 Boyd et al. D3/218

* cited by examiner

Primary Examiner — T. Chase Nelson

Assistant Examiner — Michael Pratt

(74) *Attorney, Agent, or Firm* — Jackson IPG PLLC;
Demian K. Jackson

(57) **CLAIM**

The ornamental design for an musical instrument case, as shown and described.

DESCRIPTION

FIG. 1 is a perspective view of a musical instrument case showing my new design.

FIG. 2 is a front elevational view thereof;

FIG. 3 is a rear elevational view thereof;

FIG. 4 is a left side view thereof;

FIG. 5 is a right side view thereof;

FIG. 6 is a top plan view thereof; and,

FIG. 7 is a bottom plan view thereof.

1 Claim, 7 Drawing Sheets





F I G . 1

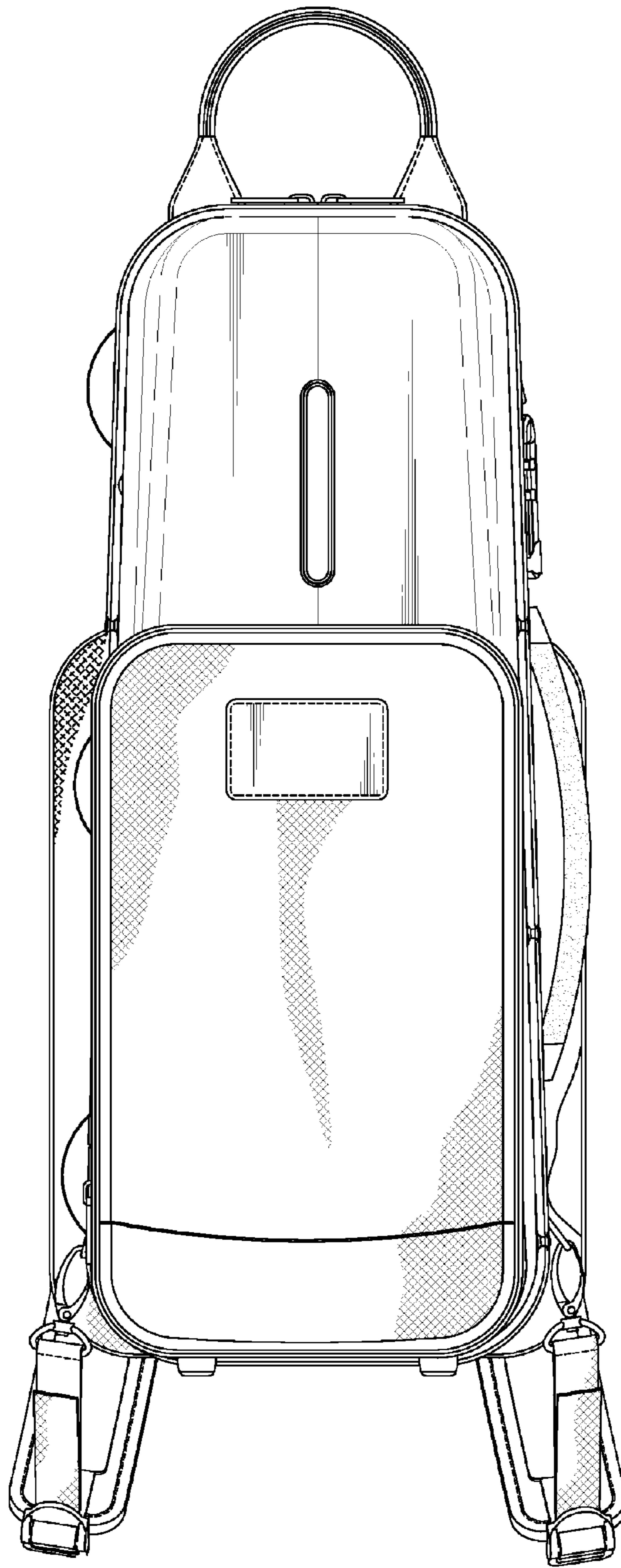
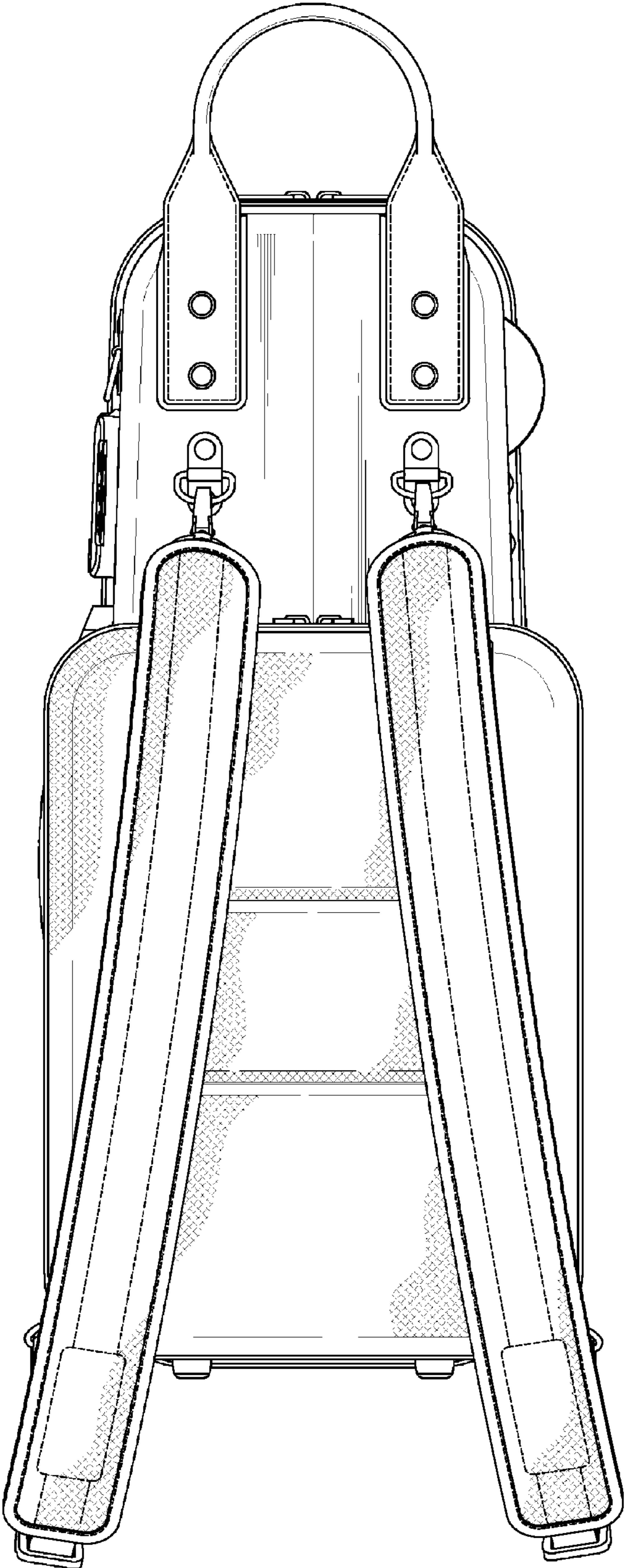
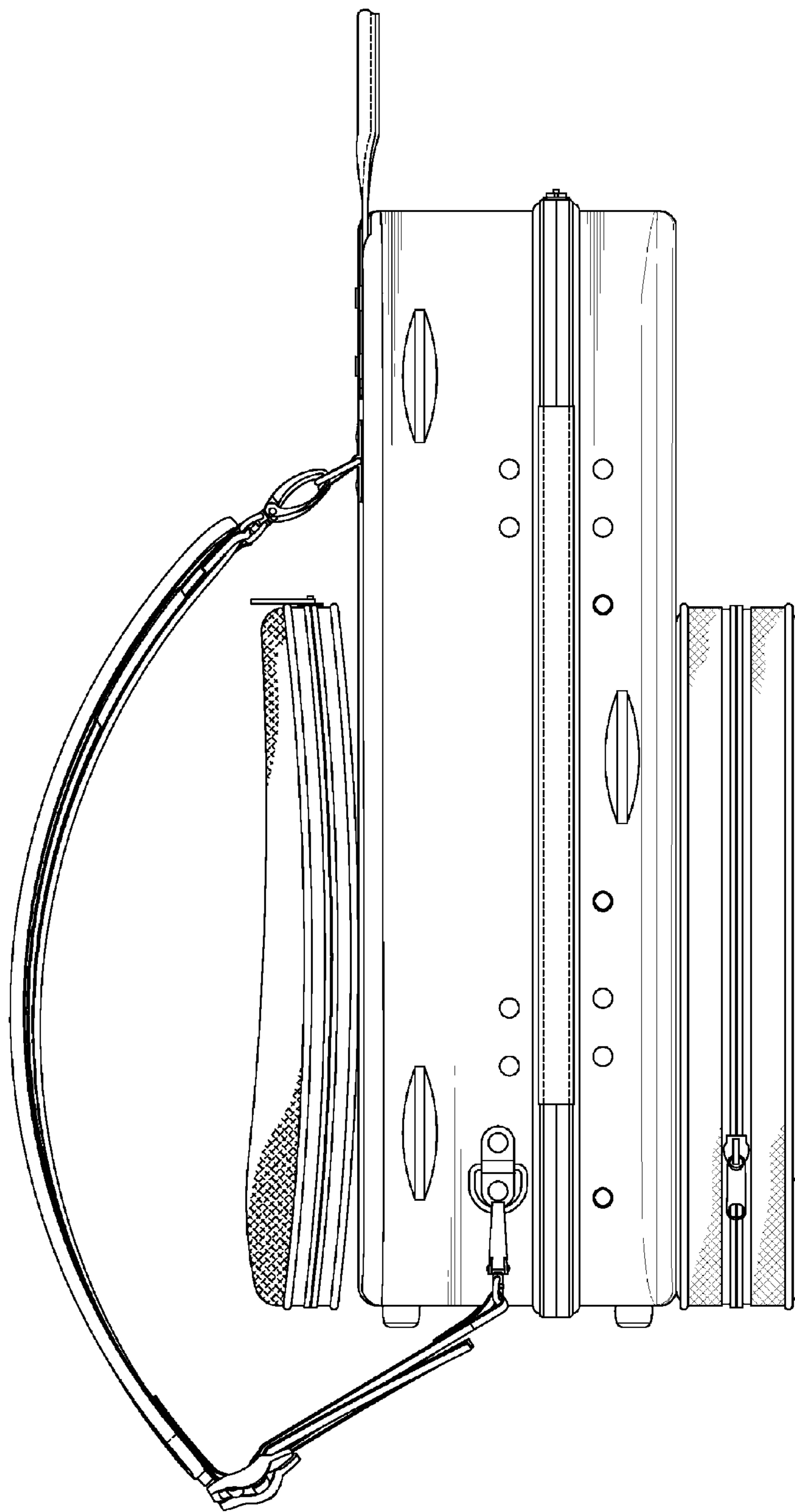


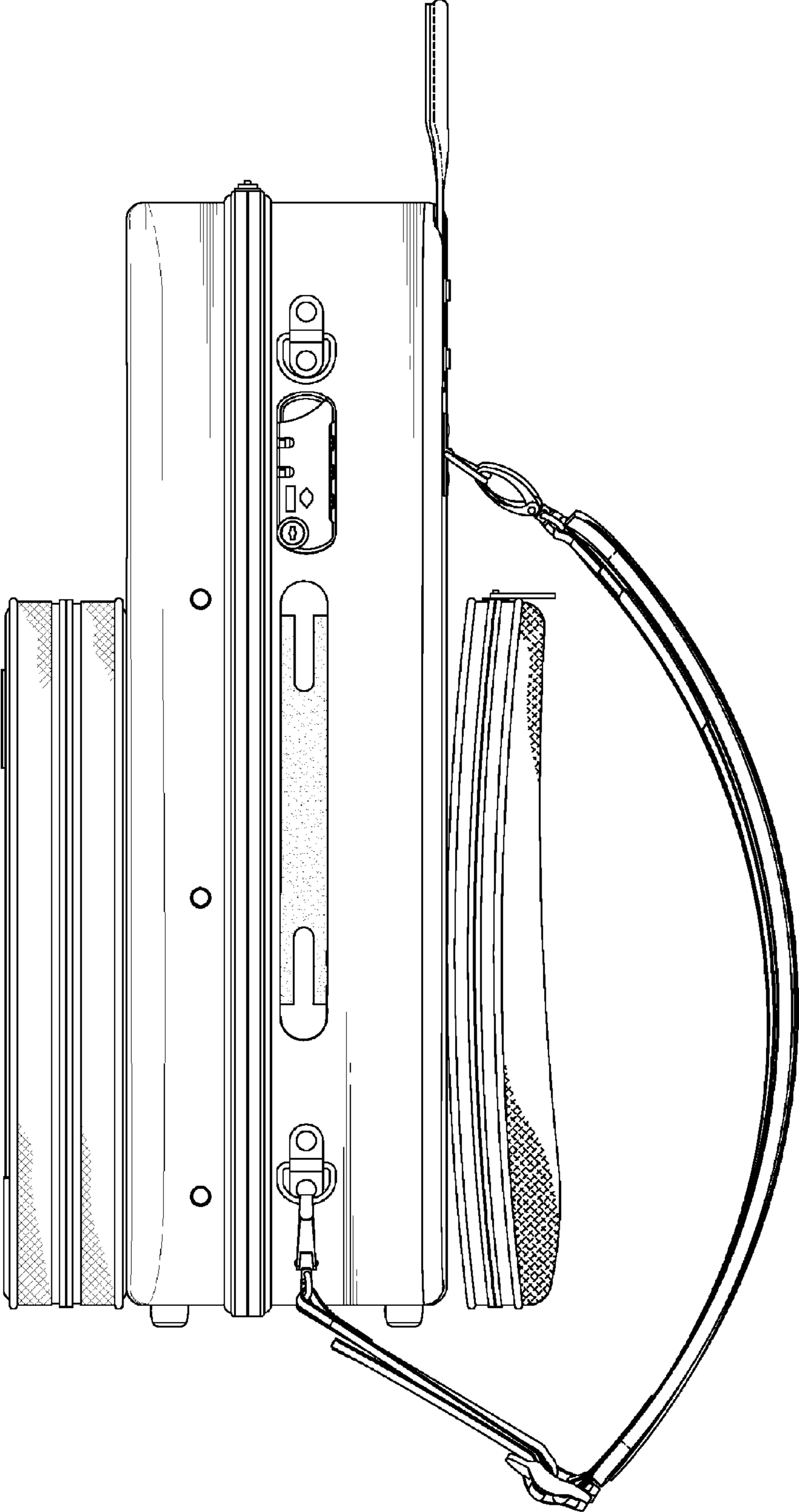
FIG. 2



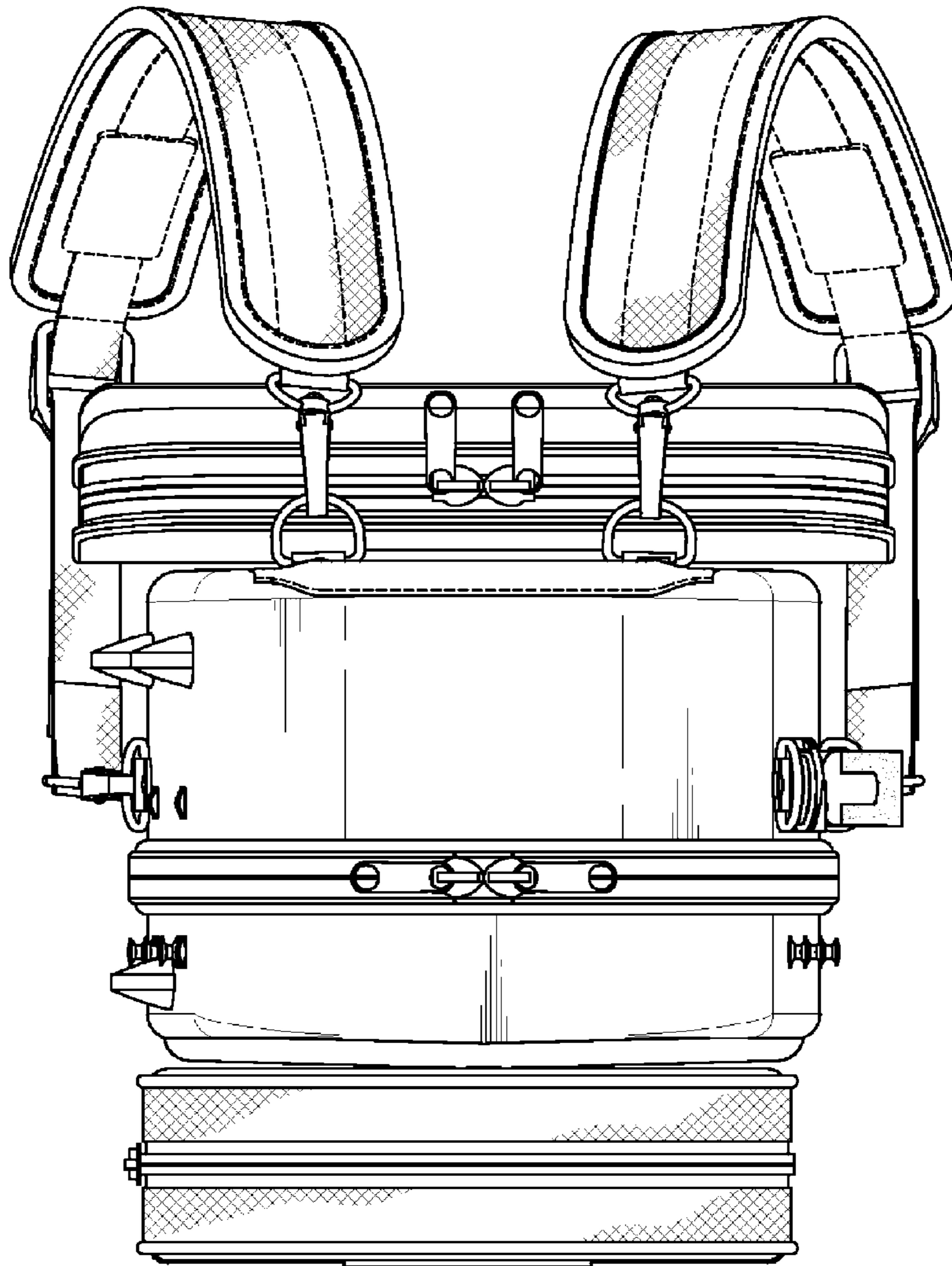
F I G . 3



F I G . 4



F I G . 5



F I G . 6

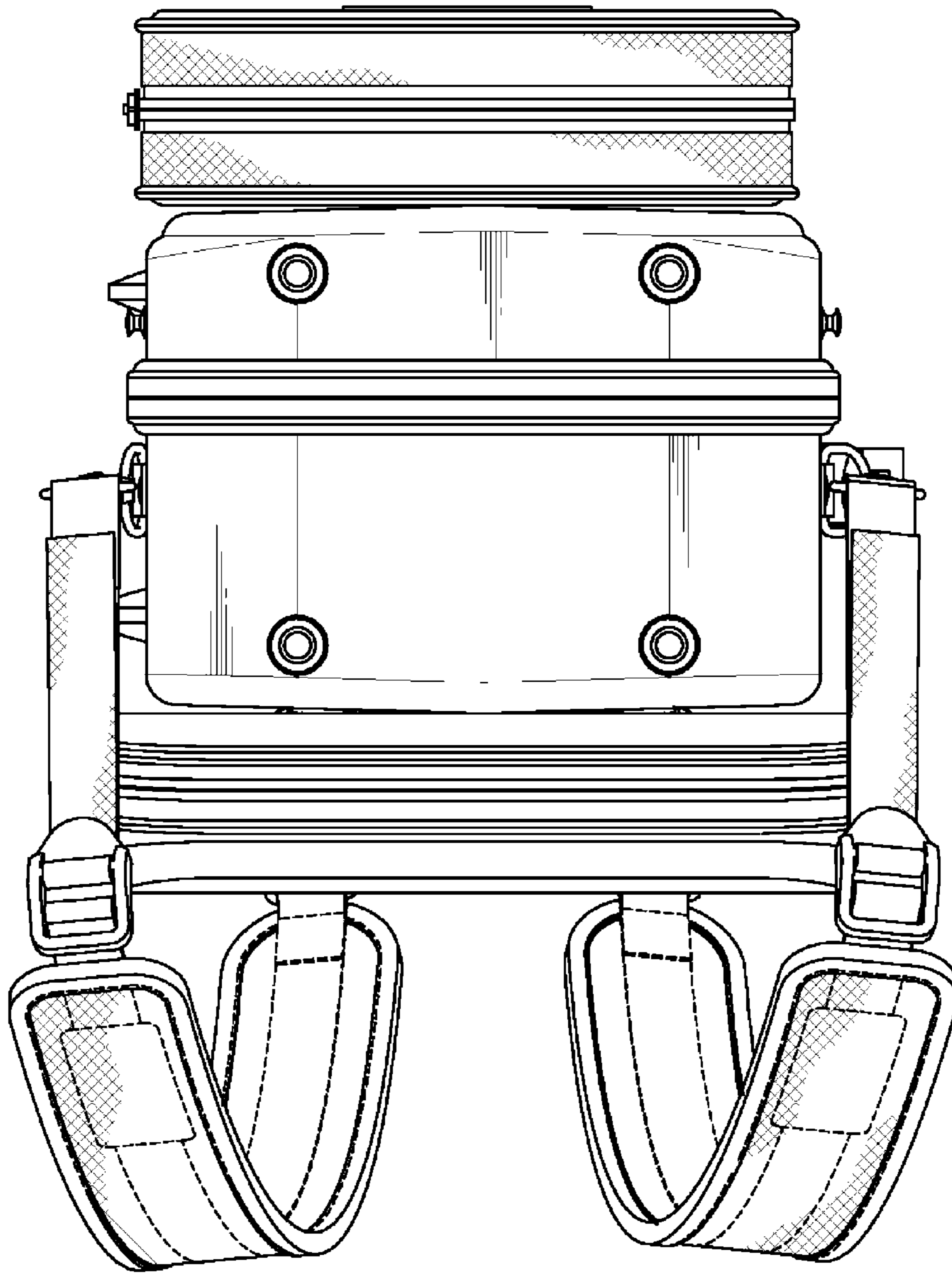


FIG. 7