



US00D638622S

(12) **United States Design Patent**  
**He**

(10) **Patent No.:** **US D638,622 S**

(45) **Date of Patent:** **\*\* \*May 31, 2011**

(54) **UMBRELLA**

(75) Inventor: **Jianfeng He**, Zhejiang (CN)

(73) Assignee: **Zhejiang Zhengte Group Co., Ltd.**,  
Zhejiang (CN)

(\*) Notice: This patent is subject to a terminal disclaimer.

(\*\*) Term: **14 Years**

(21) Appl. No.: **29/334,147**

(22) Filed: **Mar. 20, 2009**

(30) **Foreign Application Priority Data**

Sep. 23, 2008 (CN) ..... 2008 3 0240615

(51) **LOC (9) Cl.** ..... **03-03**

(52) **U.S. Cl.** ..... **D3/5**

(58) **Field of Classification Search** ..... D3/5, 10,  
D3/12, 13, 16, 17; 135/15.1, 23, 20.1, 20.3,  
135/25.31, 33.7, 39, 40, 25.01, 21, 16, 44

See application file for complete search history.

(56) **References Cited**

U.S. PATENT DOCUMENTS

5,116,258	A *	5/1992	Vennik	135/20.3
D371,901	S *	7/1996	Perls	D3/5
D478,416	S *	8/2003	Clarke	D3/5
D609,453	S *	2/2010	Liu	D3/5
2005/0028852	A1 *	2/2005	Reese	135/20.1
2006/0070644	A1 *	4/2006	Schneller	135/20.1
2006/0081277	A1 *	4/2006	Liu	135/20.1

\* cited by examiner

*Primary Examiner* — Doris Clark

(74) *Attorney, Agent, or Firm* — Finnegan, Henderson, Farabow, Garrett & Dunner LLP

(57) **CLAIM**

I claim the ornamental design for an umbrella, as shown and described.

**DESCRIPTION**

FIG. 1 is a perspective view of an umbrella showing my new design;

FIG. 2 is a front view thereof;

FIG. 3 is a top view thereof;

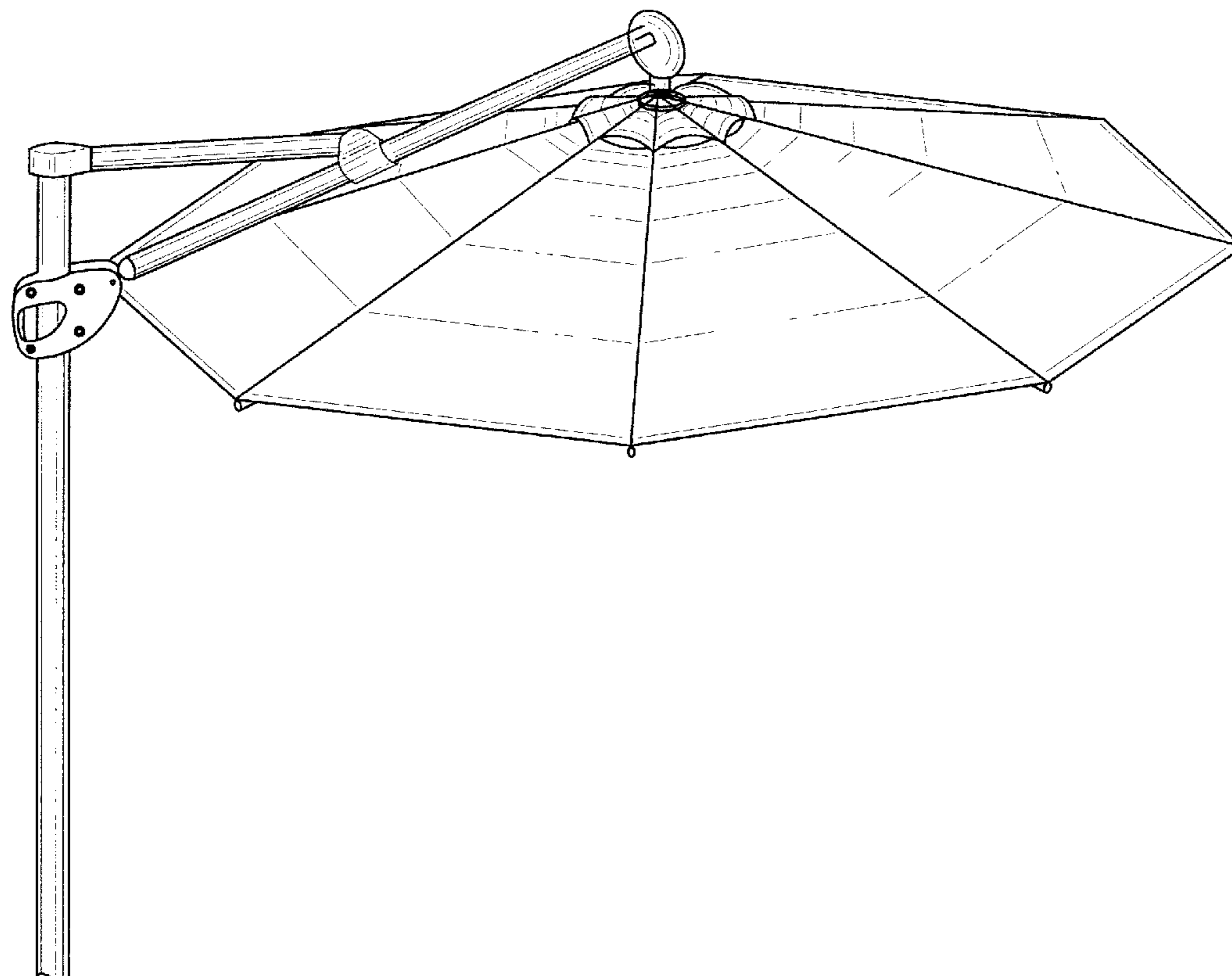
FIG. 4 is a bottom view thereof;

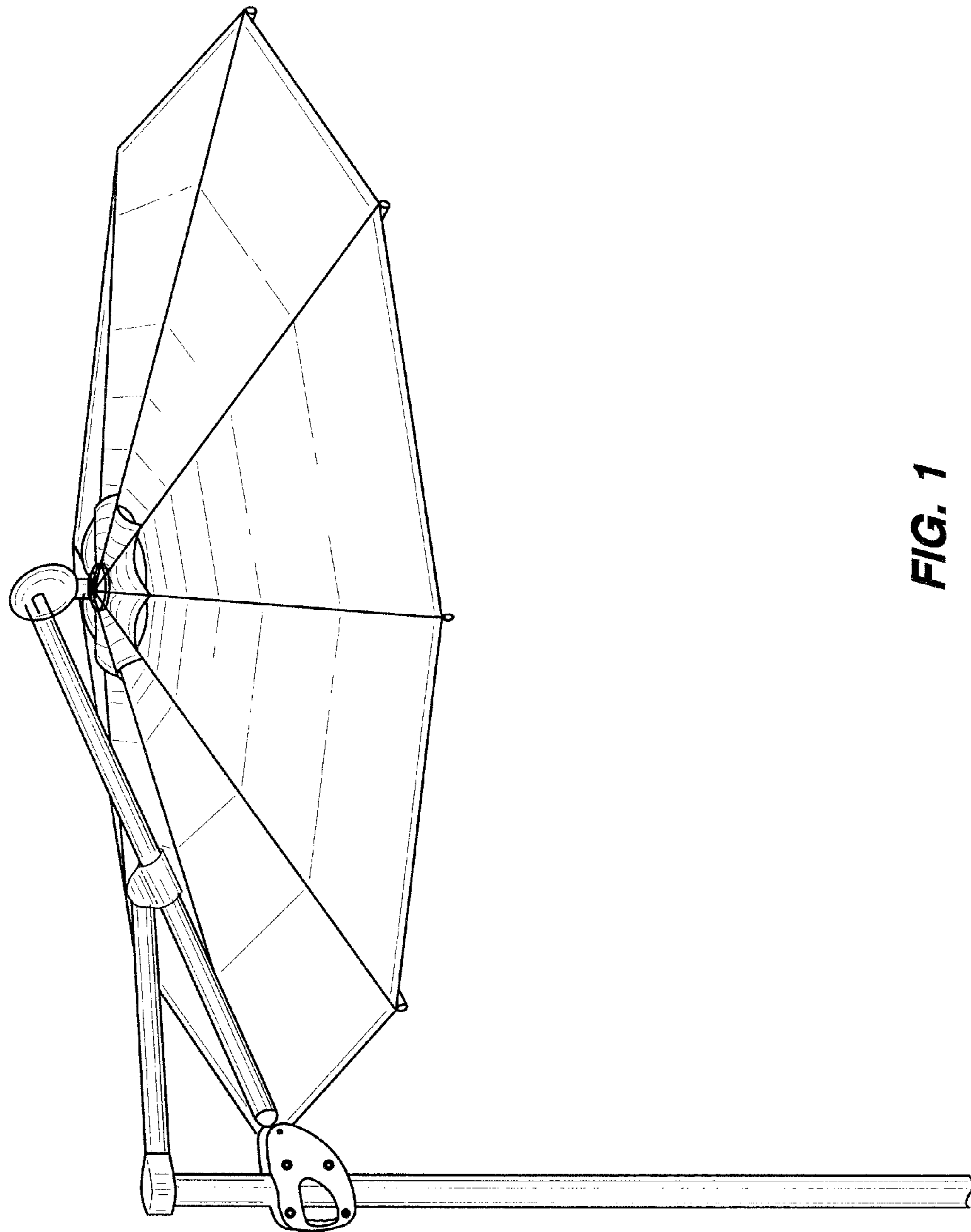
FIG. 5 is a right-side view thereof; and,

FIG. 6 is a left-side view thereof.

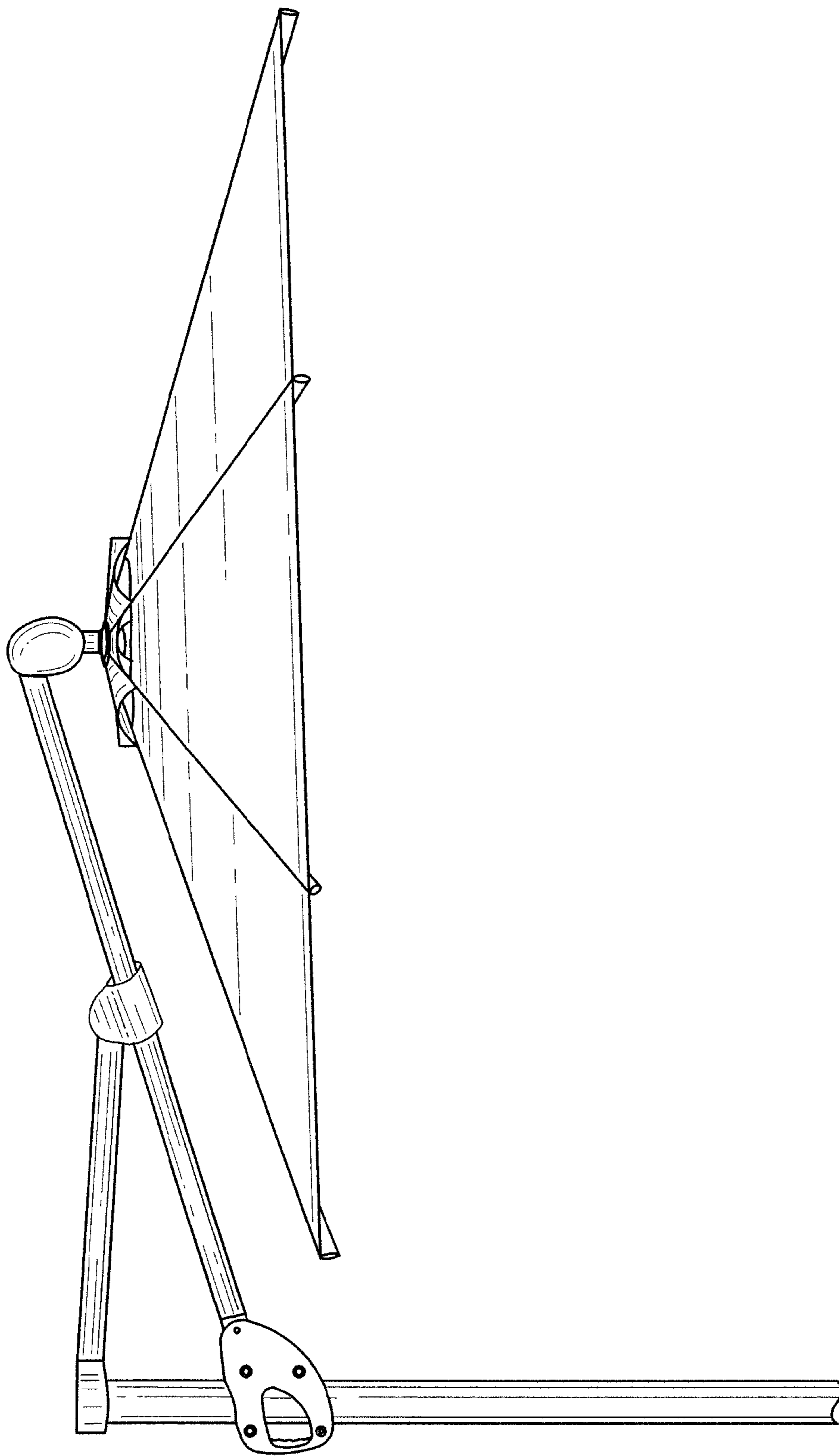
The support post on the umbrella is shown fragmented on the lower end for ease of illustration.

**1 Claim, 6 Drawing Sheets**

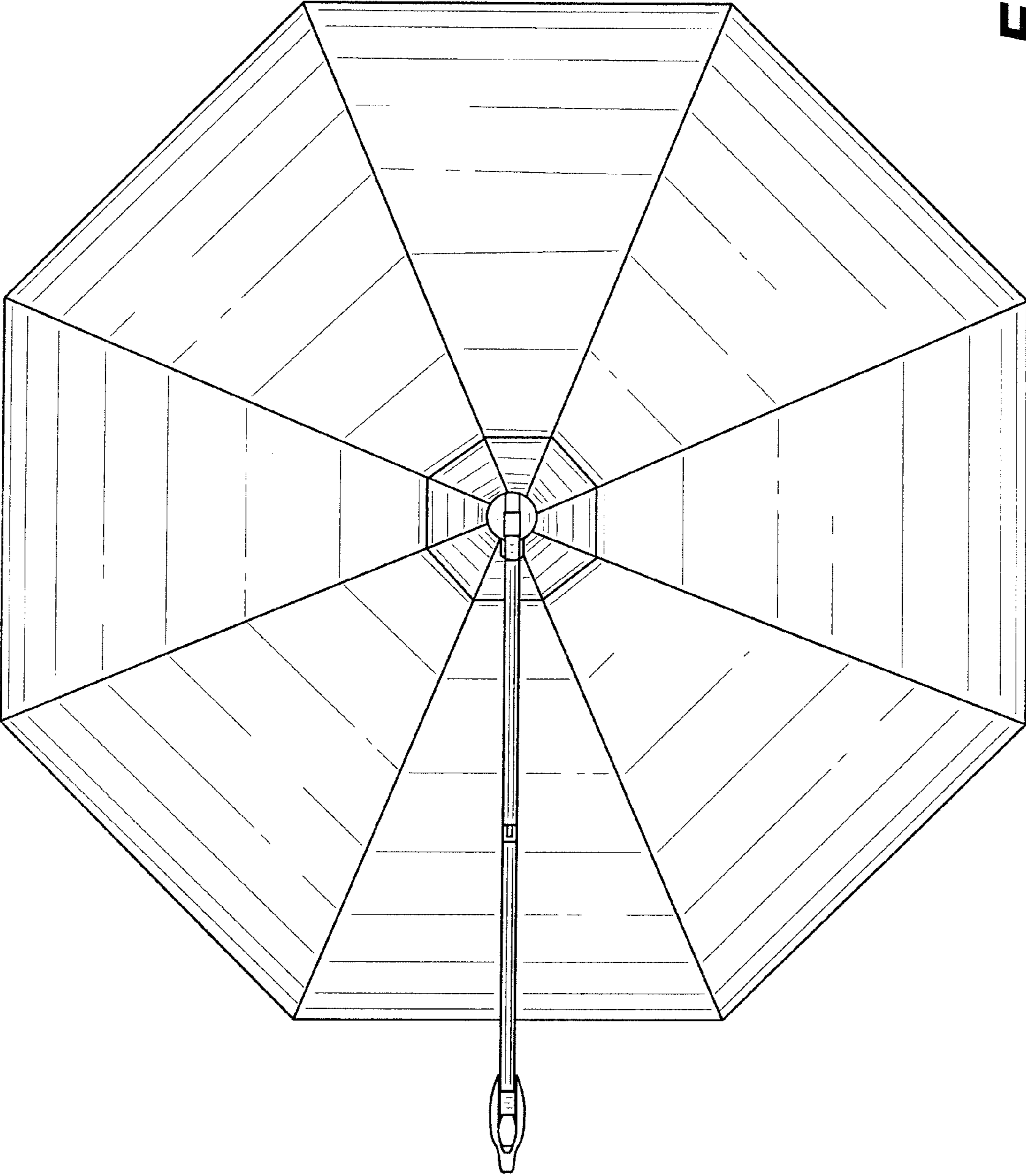




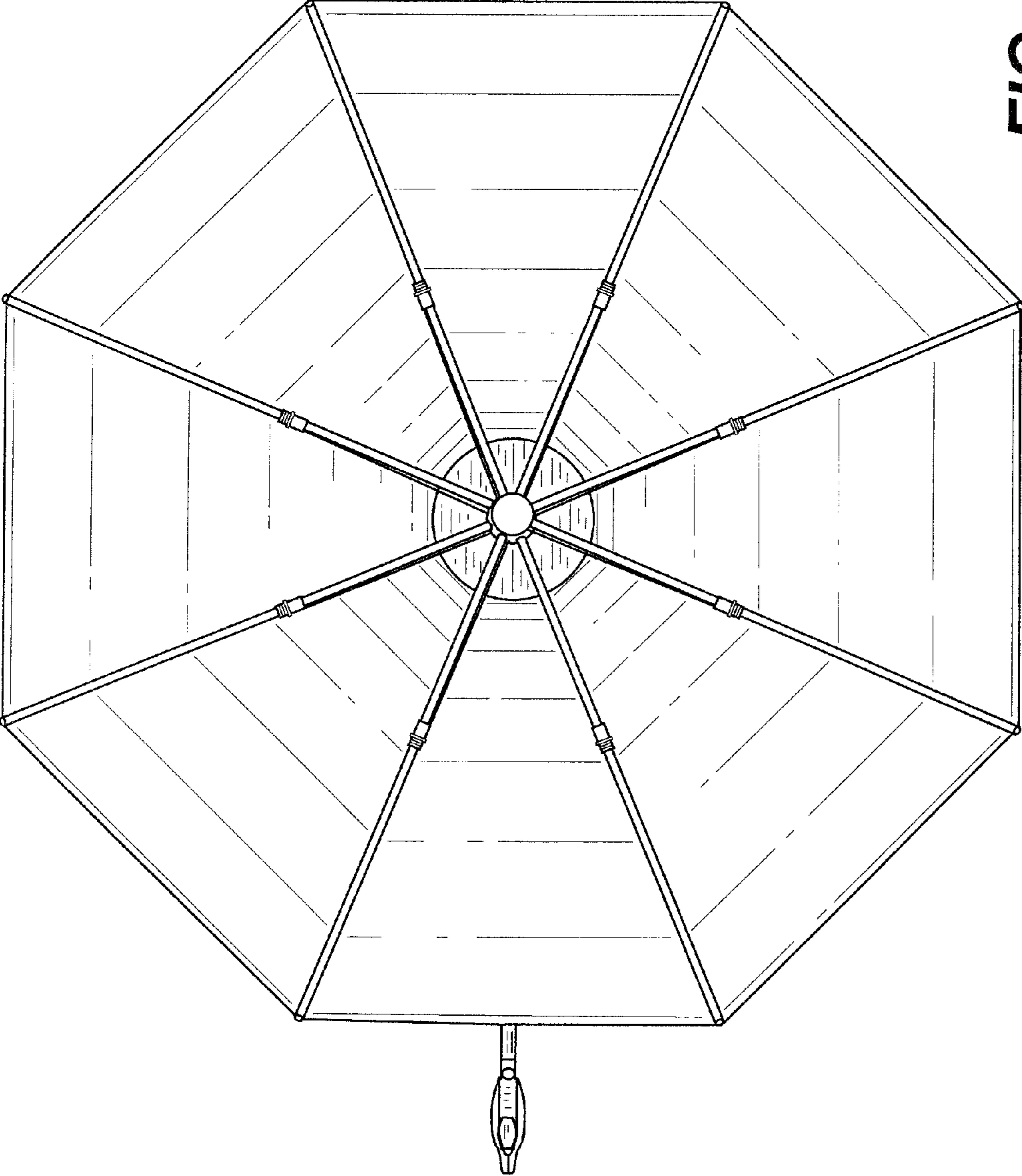
**FIG. 1**



**FIG. 2**

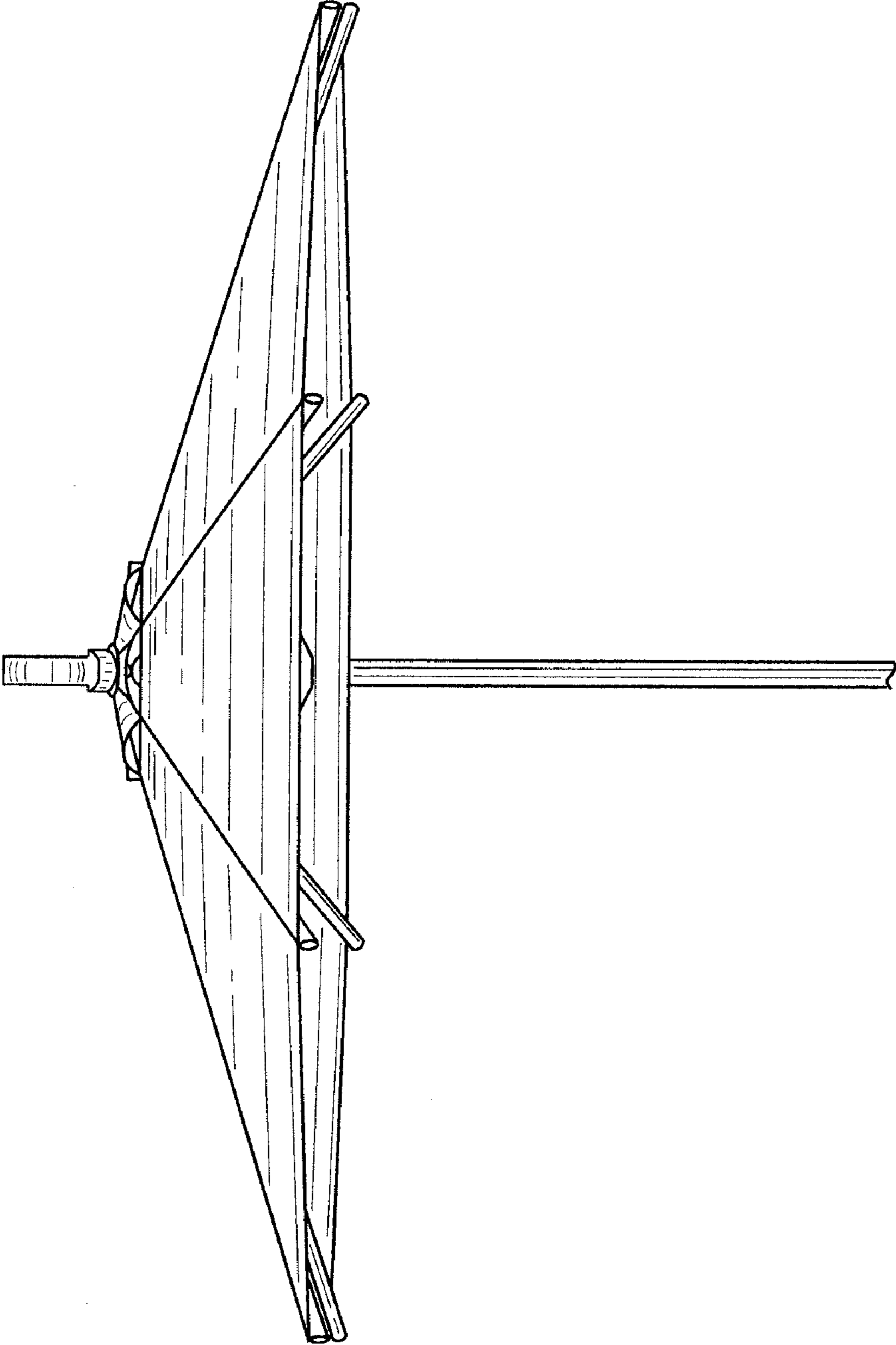


**FIG. 3**

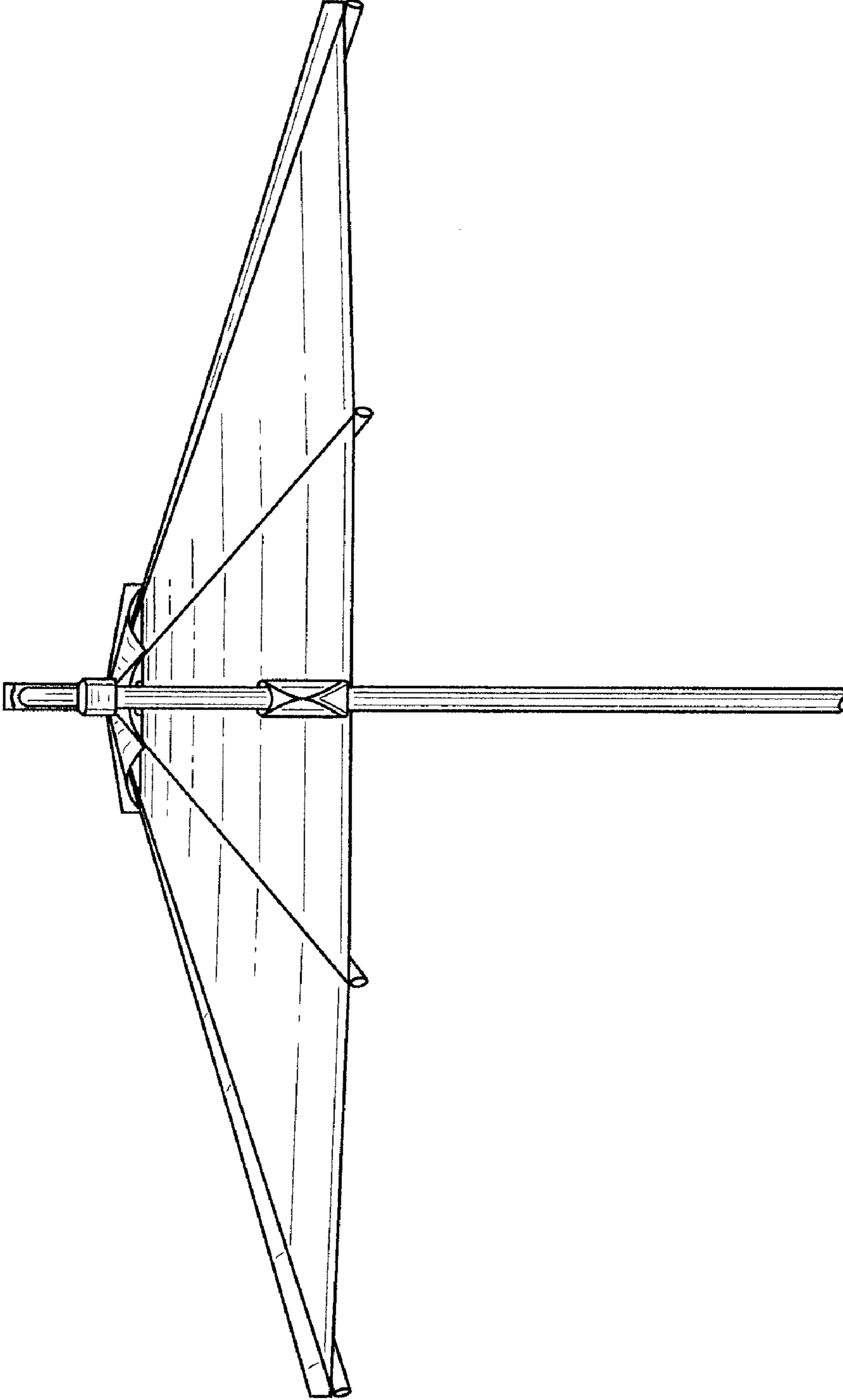


**FIG. 4**





**FIG. 5**



**FIG. 6**