



US00D638606S

(12) **United States Design Patent**
Freije

(10) **Patent No.:** **US D638,606 S**

(45) **Date of Patent:** **** May 31, 2011**

(54) **DOG CHEW**

(75) Inventor: **Janjaap Freije**, Zuidlaarderveen (NL)

(73) Assignee: **Paragon Products, B.V.**, Veendam (NL)

(**) Term: **14 Years**

(21) Appl. No.: **29/309,404**

(22) Filed: **Aug. 11, 2008**

(30) **Foreign Application Priority Data**

Feb. 12, 2008 (EM) 876917-0003
Jun. 6, 2008 (EM) 947361-0001
Jun. 6, 2008 (EM) 947361-0002

(51) **LOC (9) Cl.** **01-01**

(52) **U.S. Cl.** **D1/106; D1/199; D4/104; D4/136**

(58) **Field of Classification Search** D1/100,
D1/101, 106, 120, 121, 125, 127-128, 199,
D1/104; D30/160, 158; D24/102, 103, 211-212;
426/2, 104, 635, 805; 119/706-711, 702;
D21/386, 707; D4/104-112, 136; 15/167.1,
15/167.2, 110, 188
See application file for complete search history.

(56) **References Cited**

U.S. PATENT DOCUMENTS

2,408,735 A 10/1946 Claffin
D170,603 S * 10/1953 Pennington D4/116
D231,872 S * 6/1974 Spaulding D4/104
6,273,719 B1 * 8/2001 Whitman 433/141
D475,816 S 6/2003 Adamson
6,602,013 B2 * 8/2003 Clark 401/282
D487,351 S * 3/2004 Frazell D4/104
D499,226 S * 12/2004 Axelrod D1/106
D515,817 S * 2/2006 Siemer D4/108
D523,592 S * 6/2006 Wang D30/160
D529,668 S * 10/2006 Wang D30/160

D542,506 S * 5/2007 Springer D1/106
D572,426 S * 7/2008 McCollum et al. D1/106
D584,476 S * 1/2009 Caudill et al. D1/125
D584,477 S * 1/2009 Caudill et al. D1/125
7,497,189 B2 3/2009 Torney et al.
D590,127 S * 4/2009 Caudill et al. D1/125
D601,805 S * 10/2009 Kayser D4/104
2005/0039696 A1 2/2005 Springer
2006/0037160 A1 * 2/2006 Kayser 15/167.1
2007/0044730 A1 3/2007 Axelrod et al.
2007/0098841 A1 * 5/2007 Keehn et al. 426/2
2007/0101946 A1 5/2007 Penny
2007/0224131 A1 * 9/2007 McCollum et al. 424/49
2009/0025649 A1 * 1/2009 Gamble et al. 119/709
2010/0003393 A1 * 1/2010 Torney et al. 426/576

OTHER PUBLICATIONS

www.paragondogchews.com. Captured Mar. 18, 2010. Items indicated by arrows. No date available.*

* cited by examiner

Primary Examiner — Cathron C Brooks

Assistant Examiner — Barbara Fox

(74) *Attorney, Agent, or Firm* — Banner & Witcoff, Ltd.

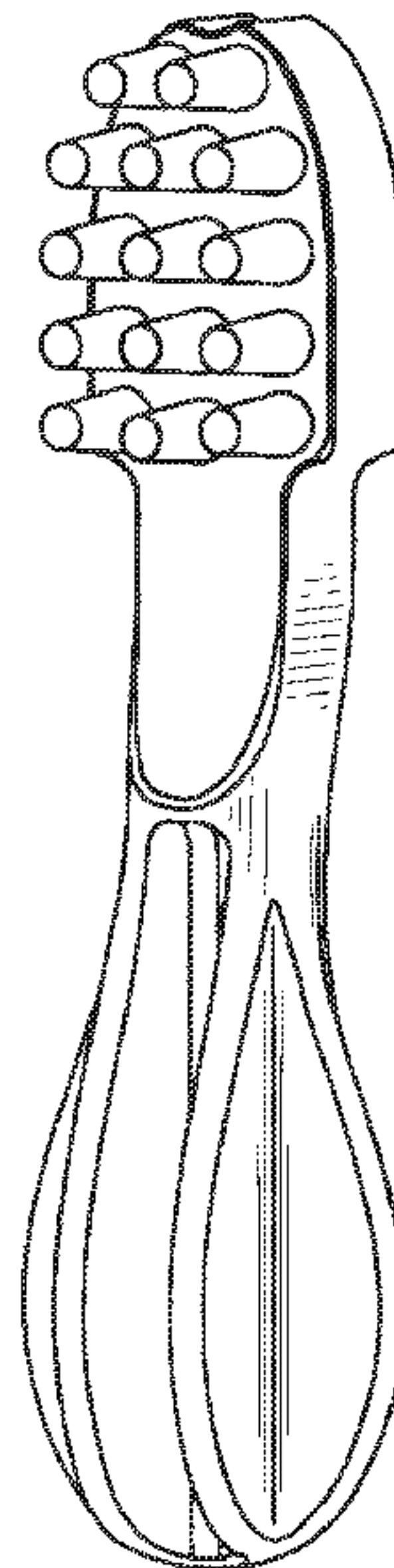
(57) **CLAIM**

The ornamental design for a dog chew, as shown and described.

DESCRIPTION

FIG. 1 is a top view of a dog chew showing my new design; FIG. 2 is a front view thereof; FIG. 3 is a right side view thereof; FIG. 4 is a rear side view thereof; FIG. 5 is a bottom view thereof; and, FIG. 6 is a perspective view thereof. The broken lines shown in the drawings represent unclaimed portions of the dog chew and form no part of the claimed design.

1 Claim, 1 Drawing Sheet



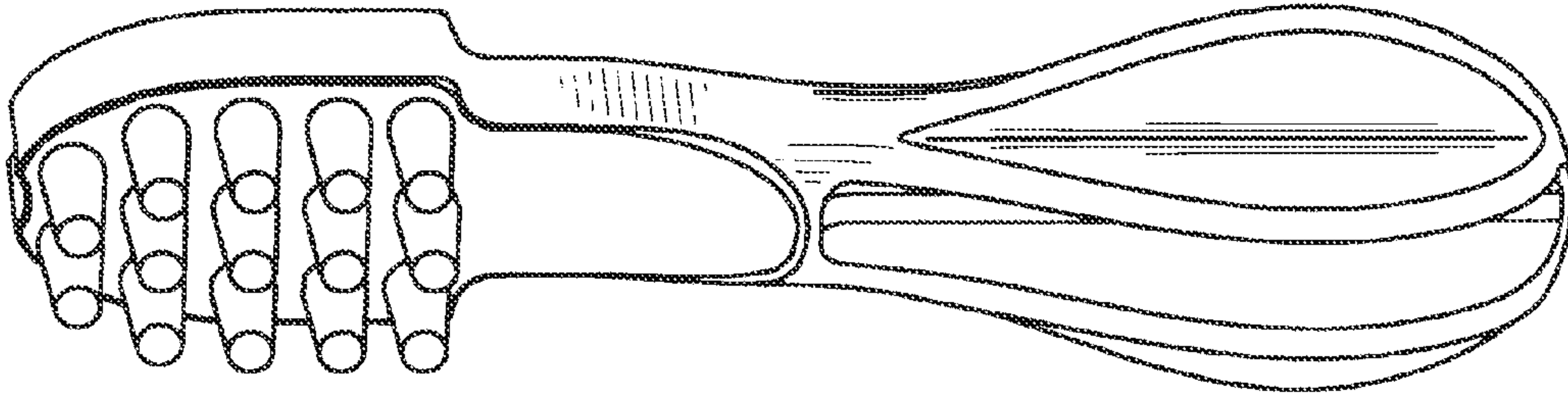


FIG. 6

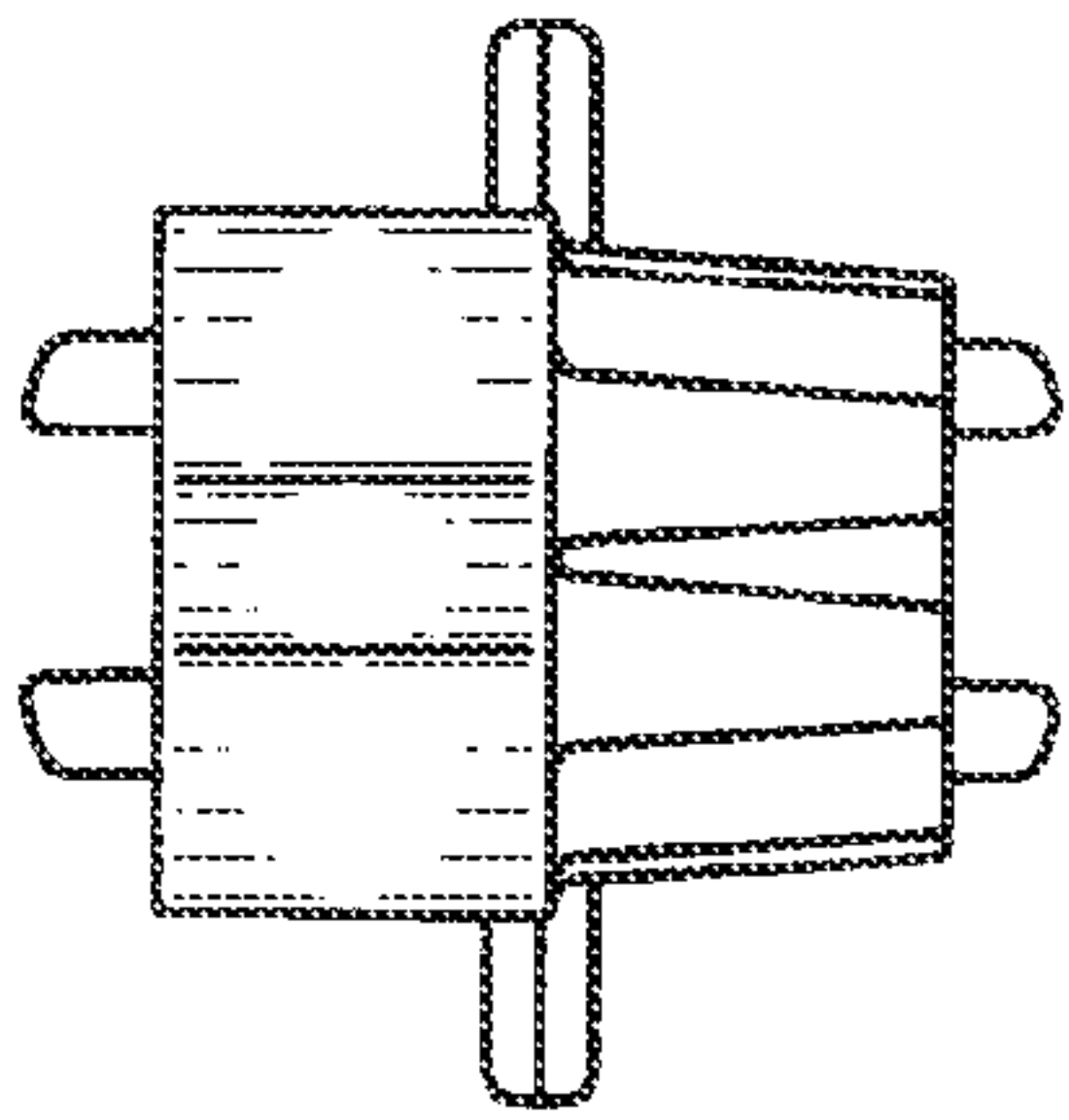


FIG. 1

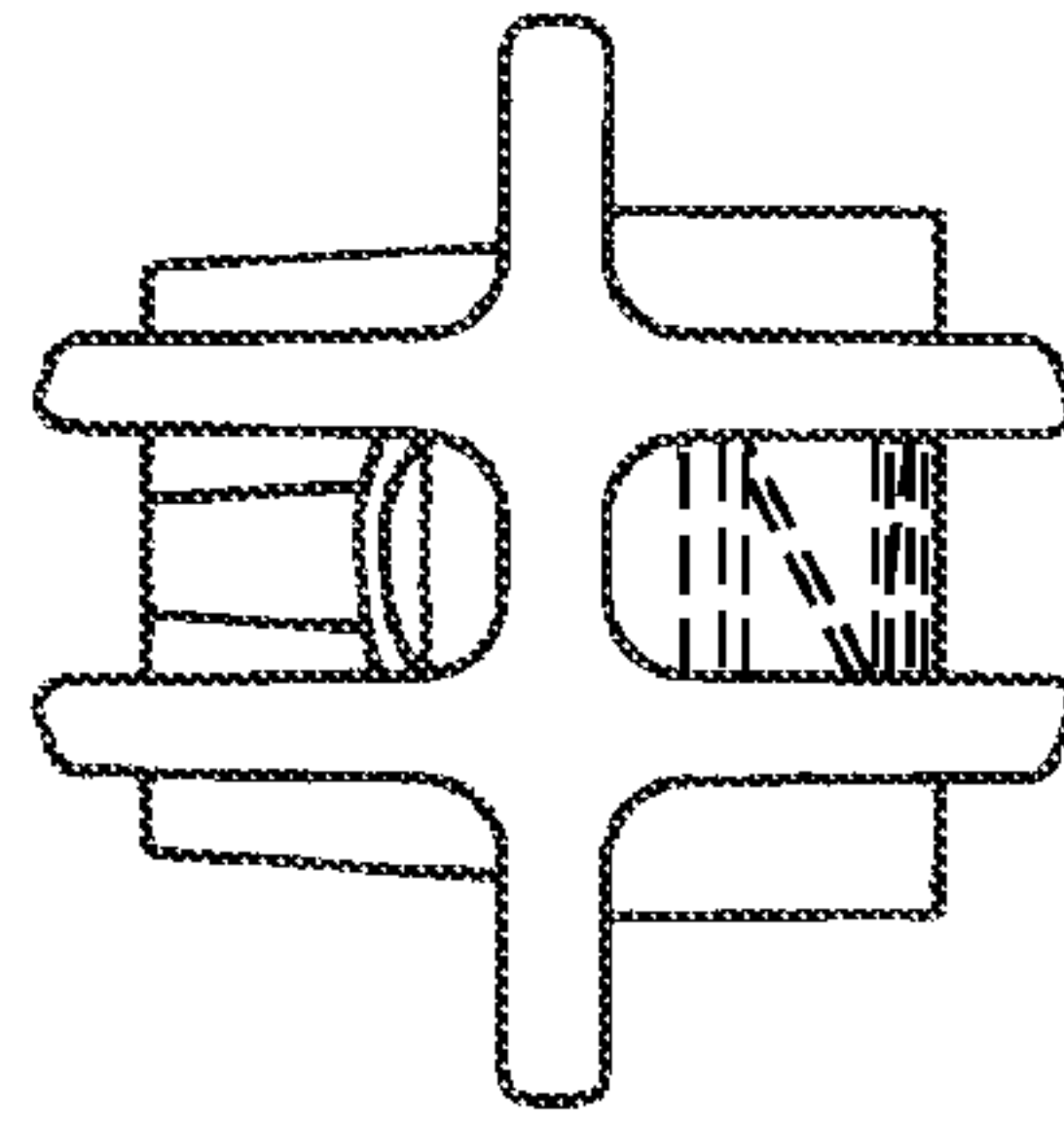


FIG. 5

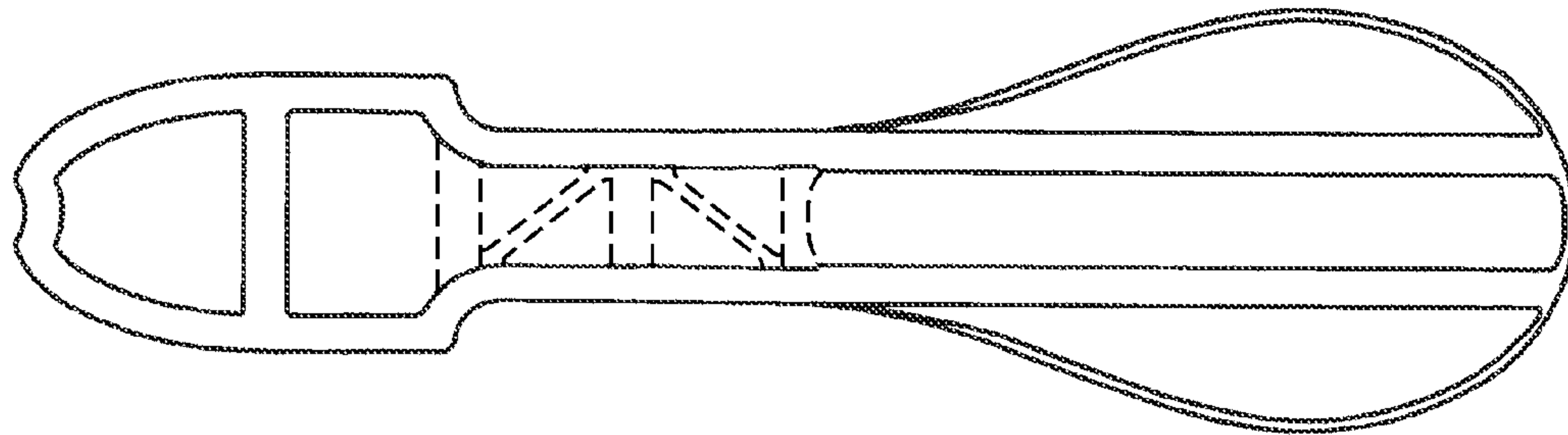


FIG. 4

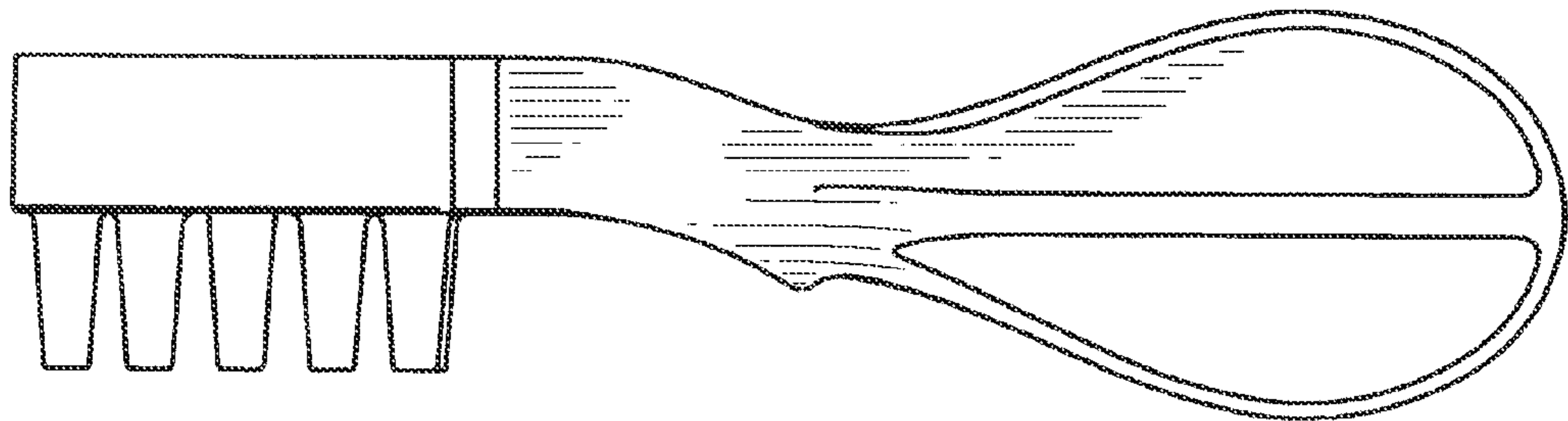


FIG. 3

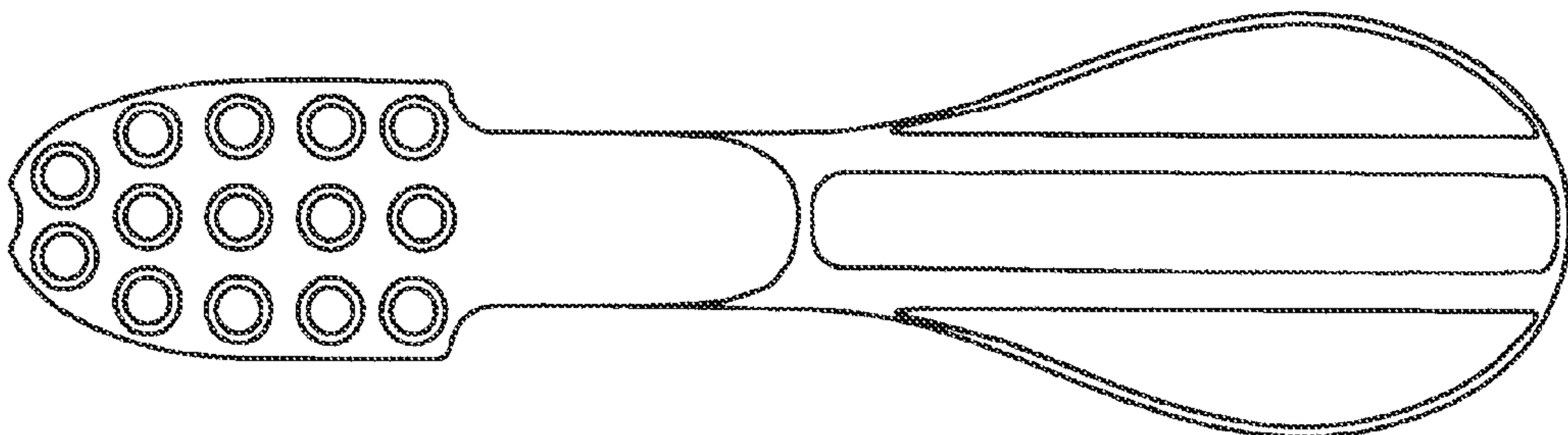


FIG. 2