



US00D638605S

(12) **United States Design Patent**
Schmitcke et al.

(10) **Patent No.:** **US D638,605 S**

(45) **Date of Patent:** **** May 24, 2011**

(54) **MASONRY CROSS**

(76) Inventors: **Barbara Schmitcke**, Bismarck, ND
(US); **Dale Schmitcke**, Bismarck, ND
(US)

(**) Term: **14 Years**

(21) Appl. No.: **29/365,913**

(22) Filed: **Jul. 16, 2010**

(51) **LOC (9) Cl.** **25-03**

(52) **U.S. Cl.** **D99/27; D99/18**

(58) **Field of Classification Search** D99/17,
D99/18, 23, 25, 27; D11/81, 96, 122, 125,
D11/157; 27/1; 52/38, 103, 104; D21/839,
D21/840; 428/3, 23; 24/303

See application file for complete search history.

(56) **References Cited**

U.S. PATENT DOCUMENTS

1,258,147	A *	3/1918	Sargent	403/346
2,143,869	A *	1/1939	Donald	206/19
D126,597	S *	4/1941	Brennan	D99/27
2,246,122	A *	6/1941	Brennan	428/3
2,469,552	A *	5/1949	Goudreau	206/19
D156,025	S *	11/1949	Mulholland	D26/10
2,519,819	A *	8/1950	Brennan	206/19
2,712,191	A *	7/1955	Hillenbrand	428/3
D189,687	S *	1/1961	McAllister	D99/27
3,113,664	A *	12/1963	Tracey	206/19
3,811,909	A *	5/1974	Bertsch	427/270
4,525,821	A *	6/1985	Garcia	369/30.02
D385,672	S *	10/1997	Noris	D99/27
D443,970	S *	6/2001	Stucker	D99/27
D505,529	S *	5/2005	Mitchell	D99/27

* cited by examiner

Primary Examiner — Paula Greene

(74) *Attorney, Agent, or Firm* — Italia IP; James A. Italia

(57) **CLAIM**

The ornamental design for a masonry cross, as shown and described.

DESCRIPTION

FIG. 1 is a perspective view of a masonry cross, showing our new design;

FIG. 2 is a front elevational view of the invention;

FIG. 3 is a rear elevational view of the invention;

FIG. 4 is a left-side elevational view of the invention;

FIG. 5 is a right-side elevational view of the invention;

FIG. 6 is a top plan view of the invention;

FIG. 7 is a bottom plan view of the invention;

FIG. 8 is a perspective view of a second embodiment of a masonry cross showing our new design, the opposite perspective view is a mirror image, the only difference being the configuration of the cross;

FIG. 9 is a front elevational view of the design shown in FIG. 8;

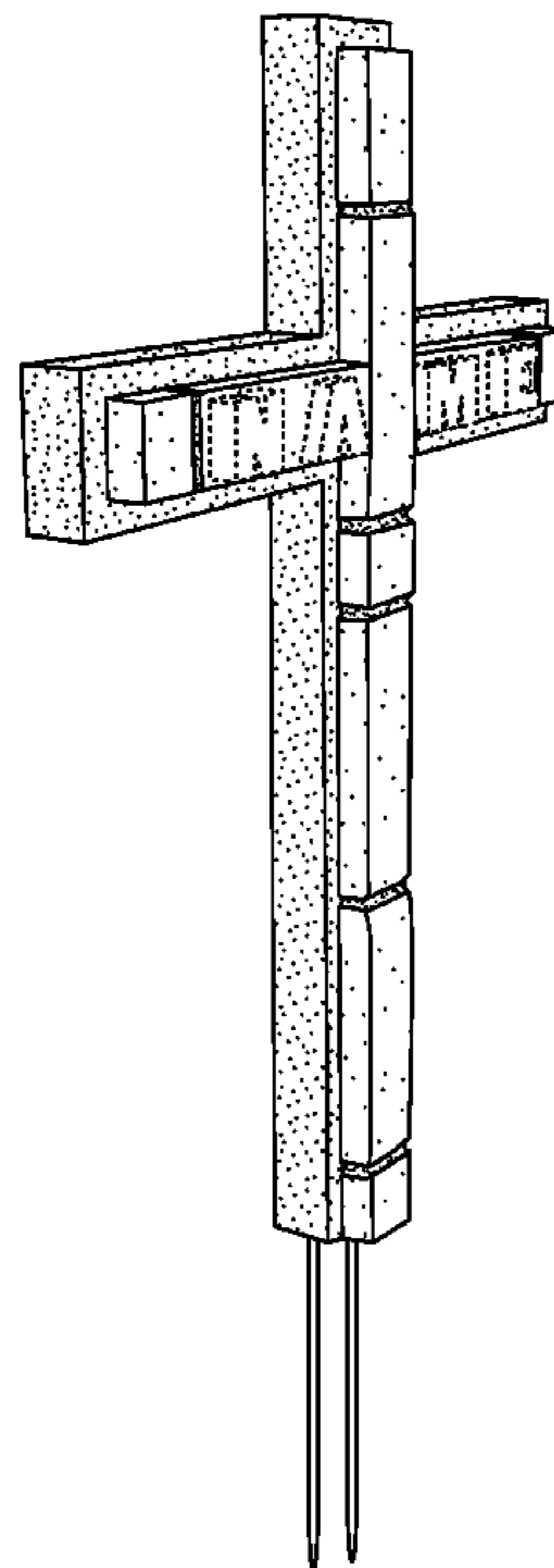
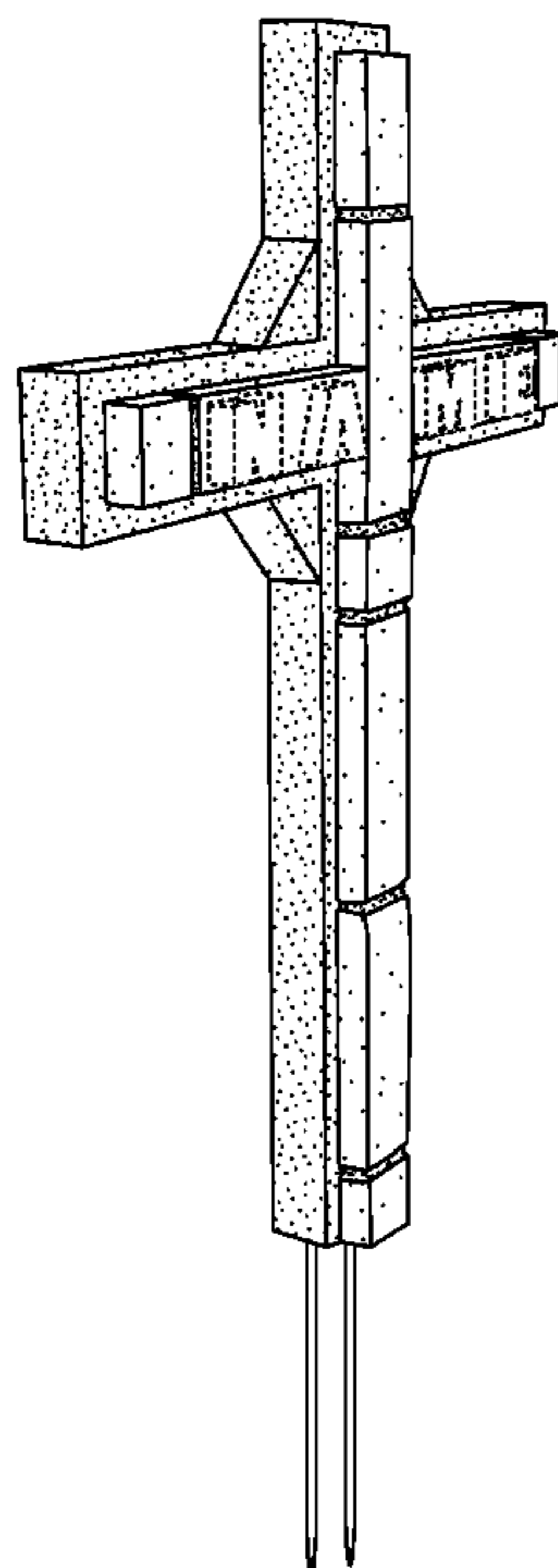
FIG. 10 is a rear elevational view of the design shown in FIG. 8;

FIG. 11 is a left-side elevational view of the design shown in FIG. 8;

FIG. 12 is a right-side elevational view of the design shown in FIG. 8;

FIG. 13 is a top plan view of the design shown in FIG. 8; and, FIG. 14 is a bottom plan view of the design shown in FIG. 8. The broken lines form no part of the claimed design.

1 Claim, 6 Drawing Sheets



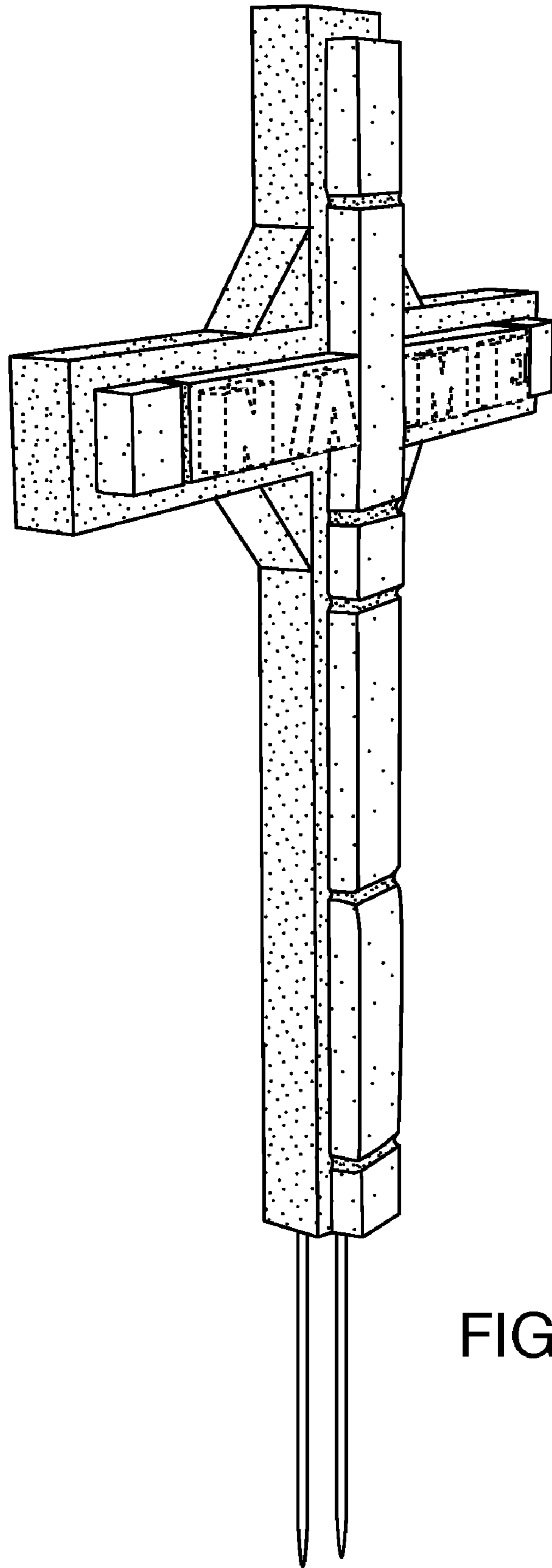


FIG. 1

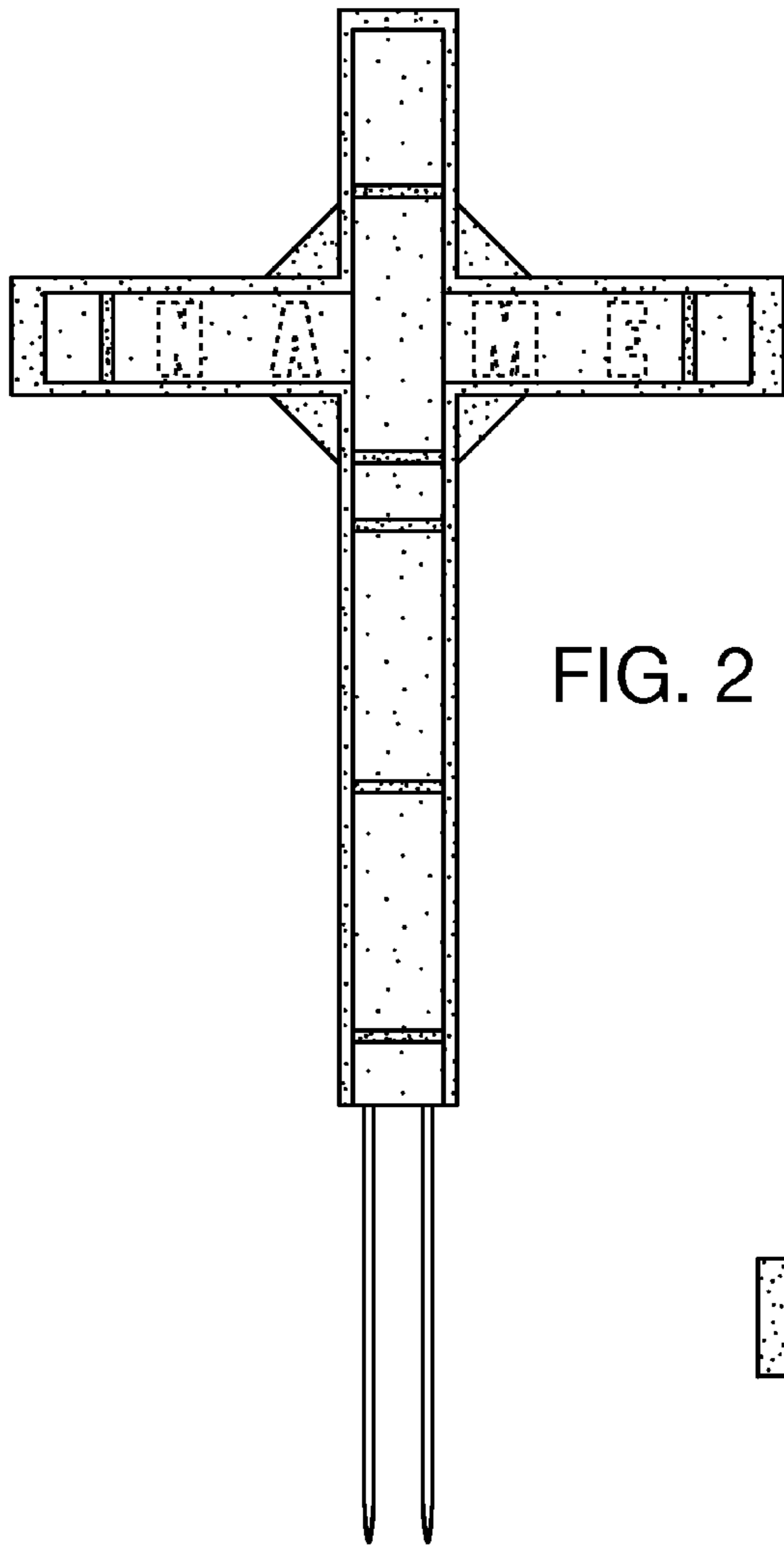


FIG. 2

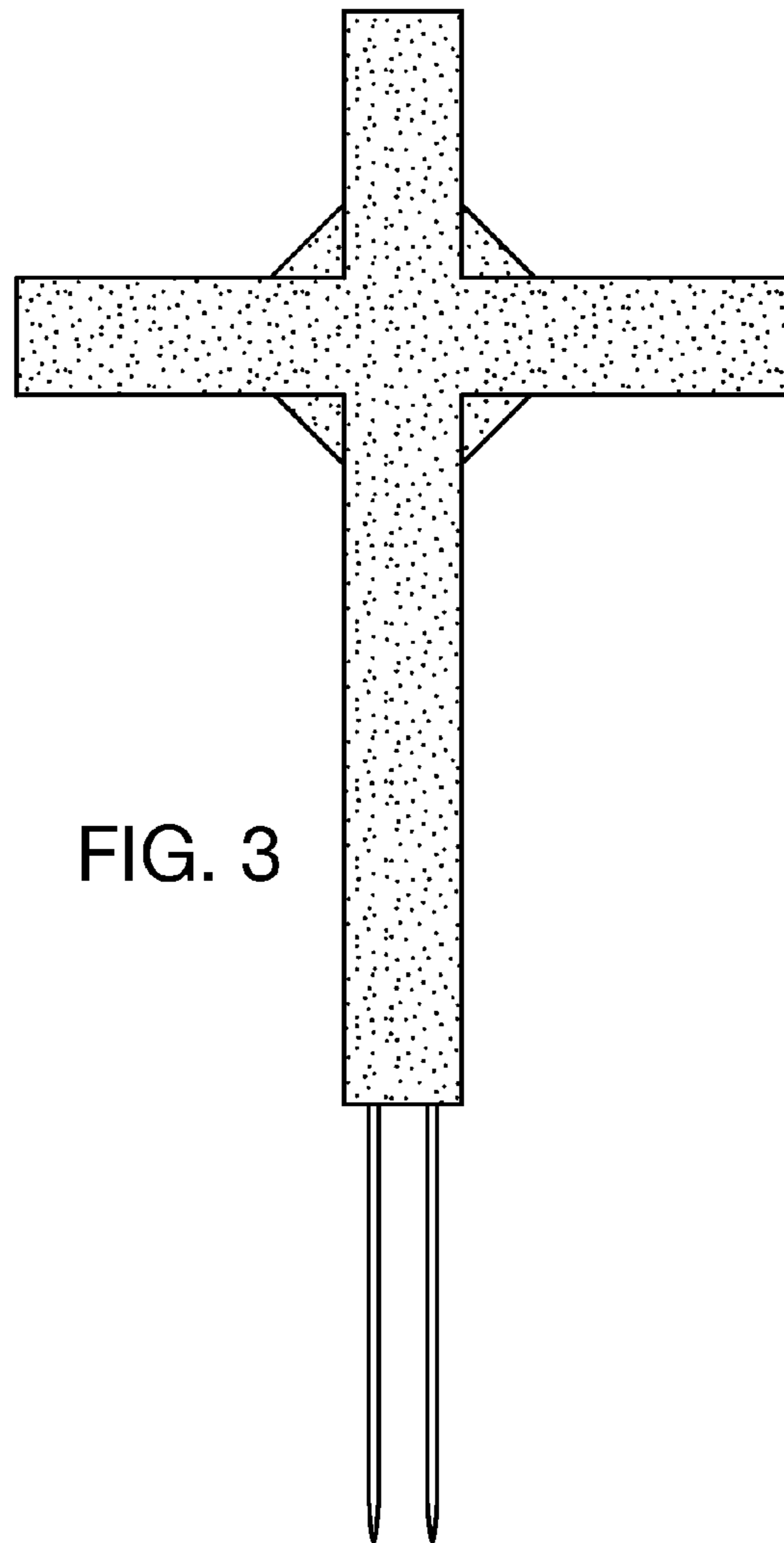


FIG. 3

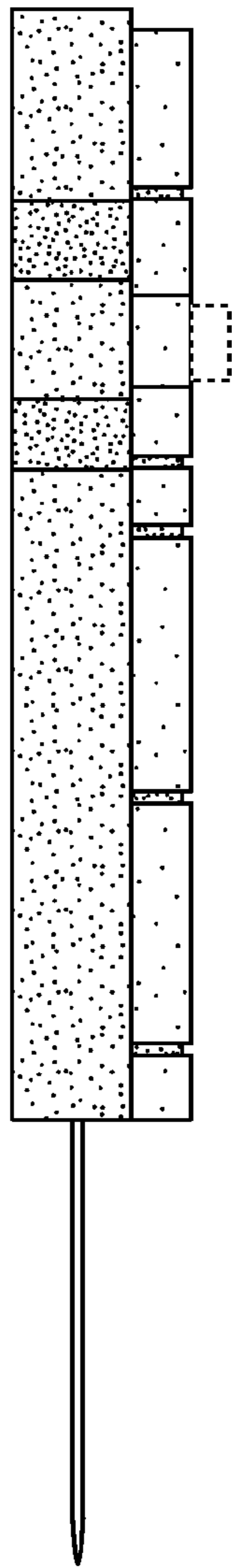


FIG. 4

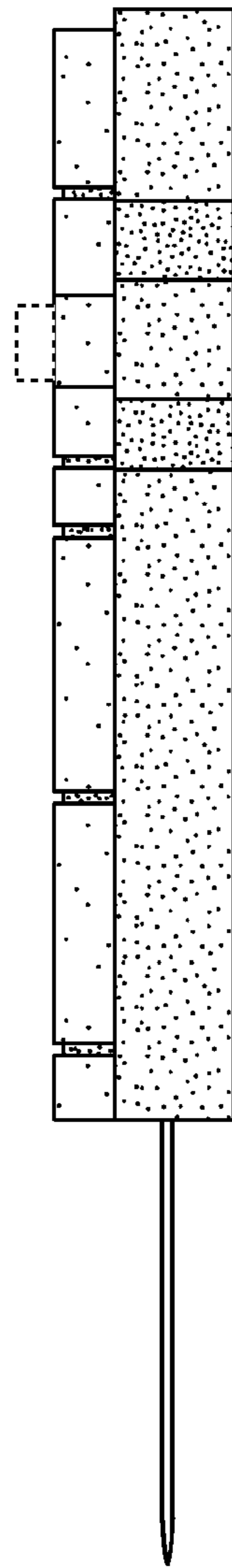


FIG. 5

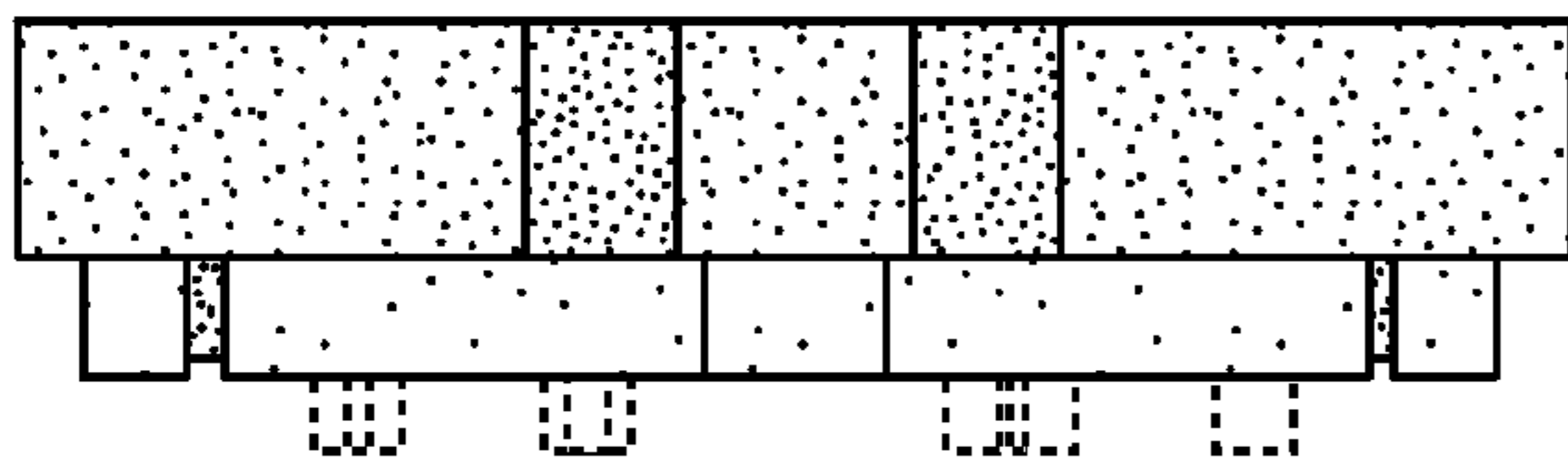


FIG. 6

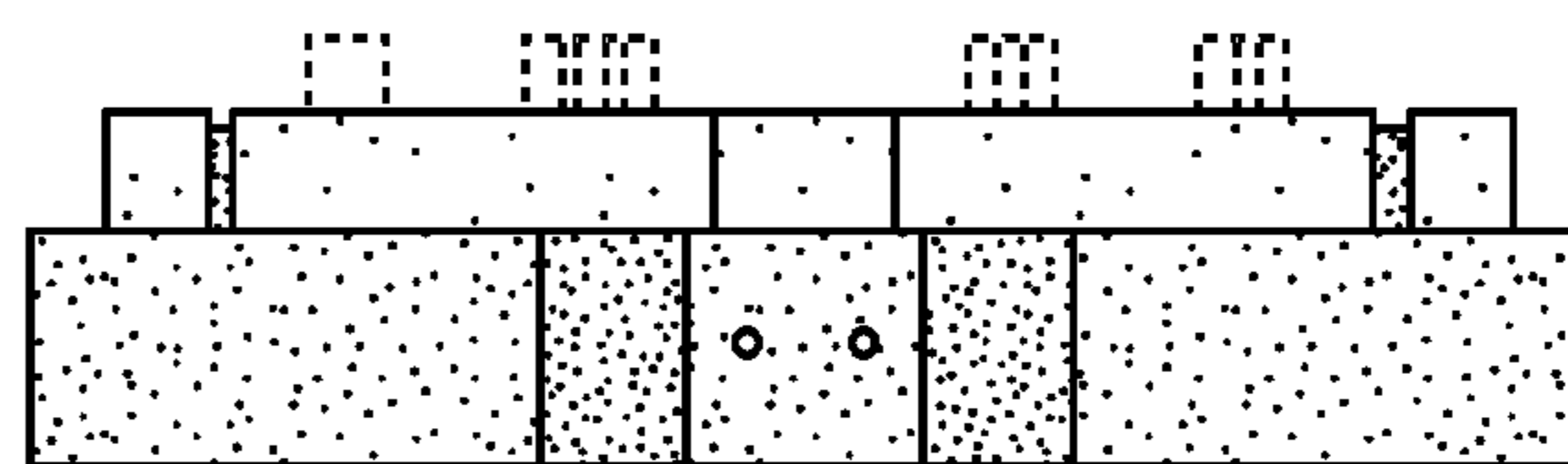


FIG. 7

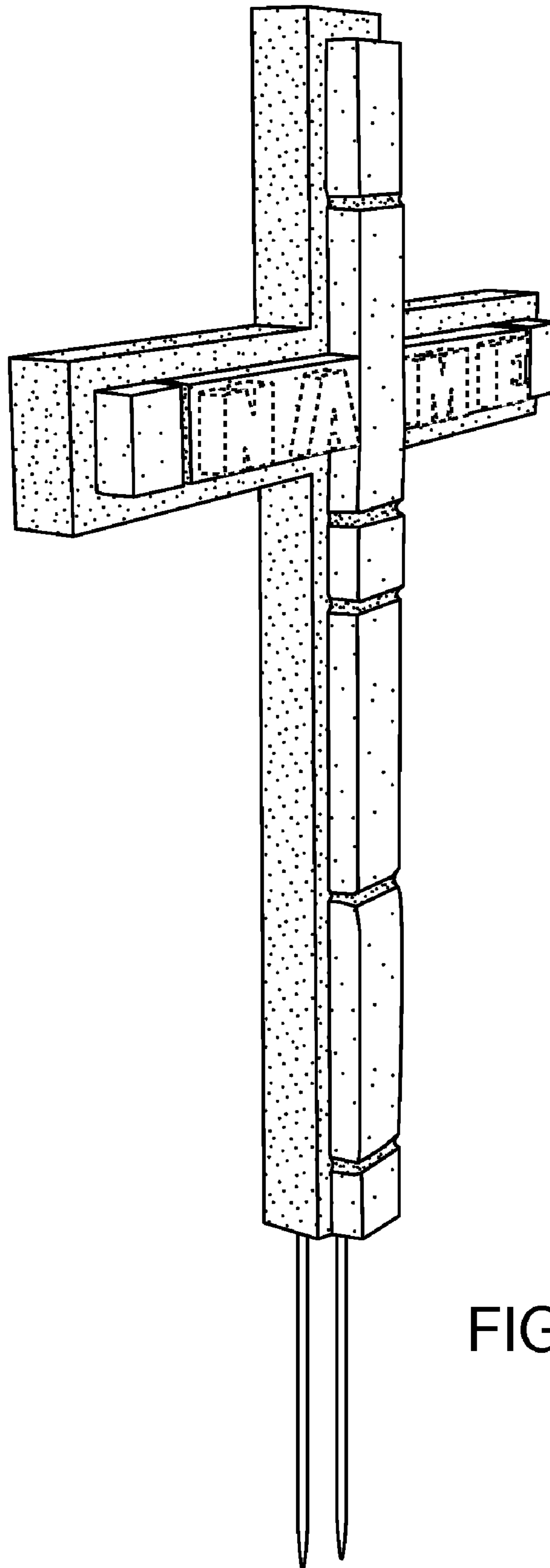


FIG. 8

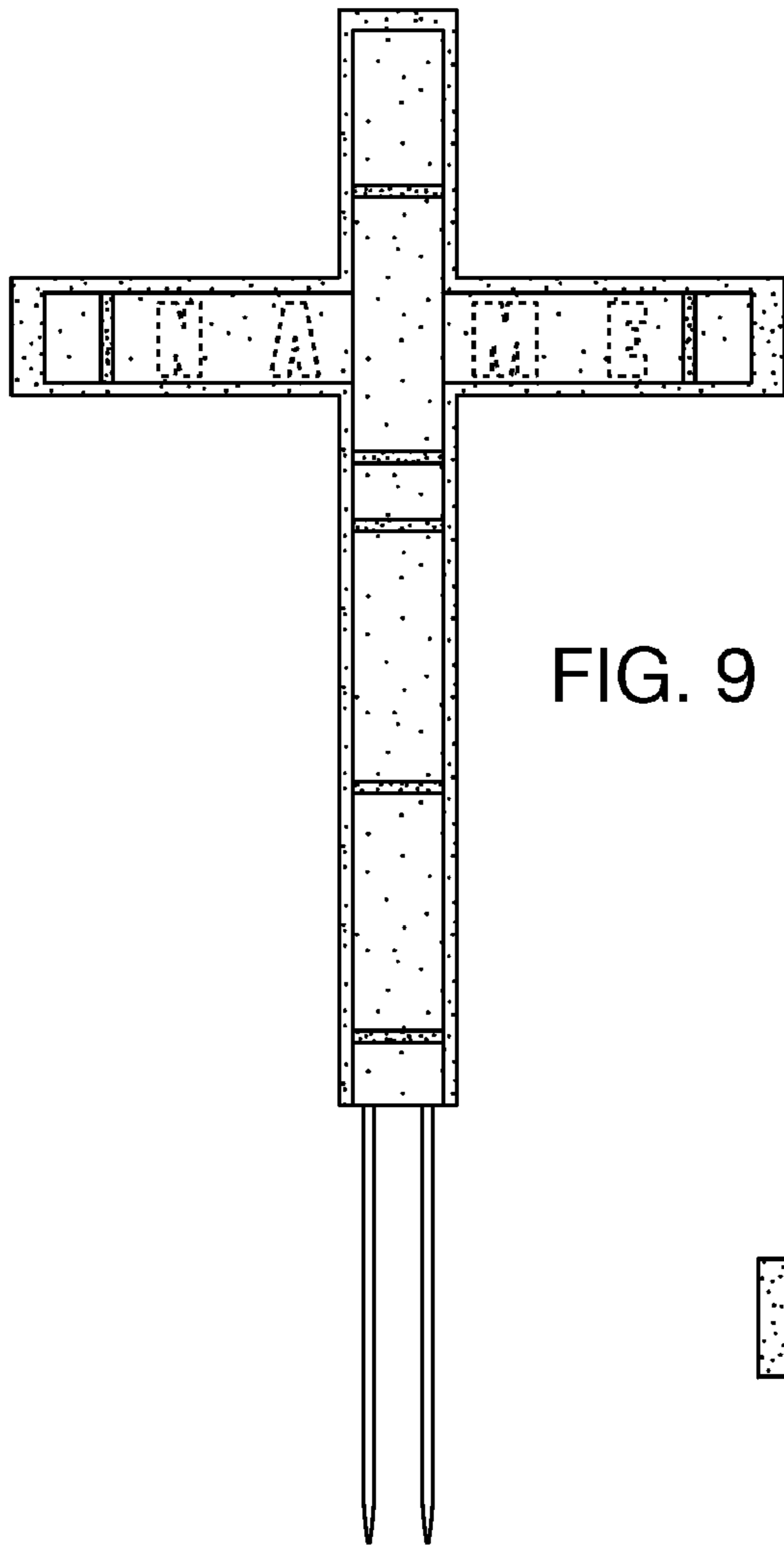


FIG. 9

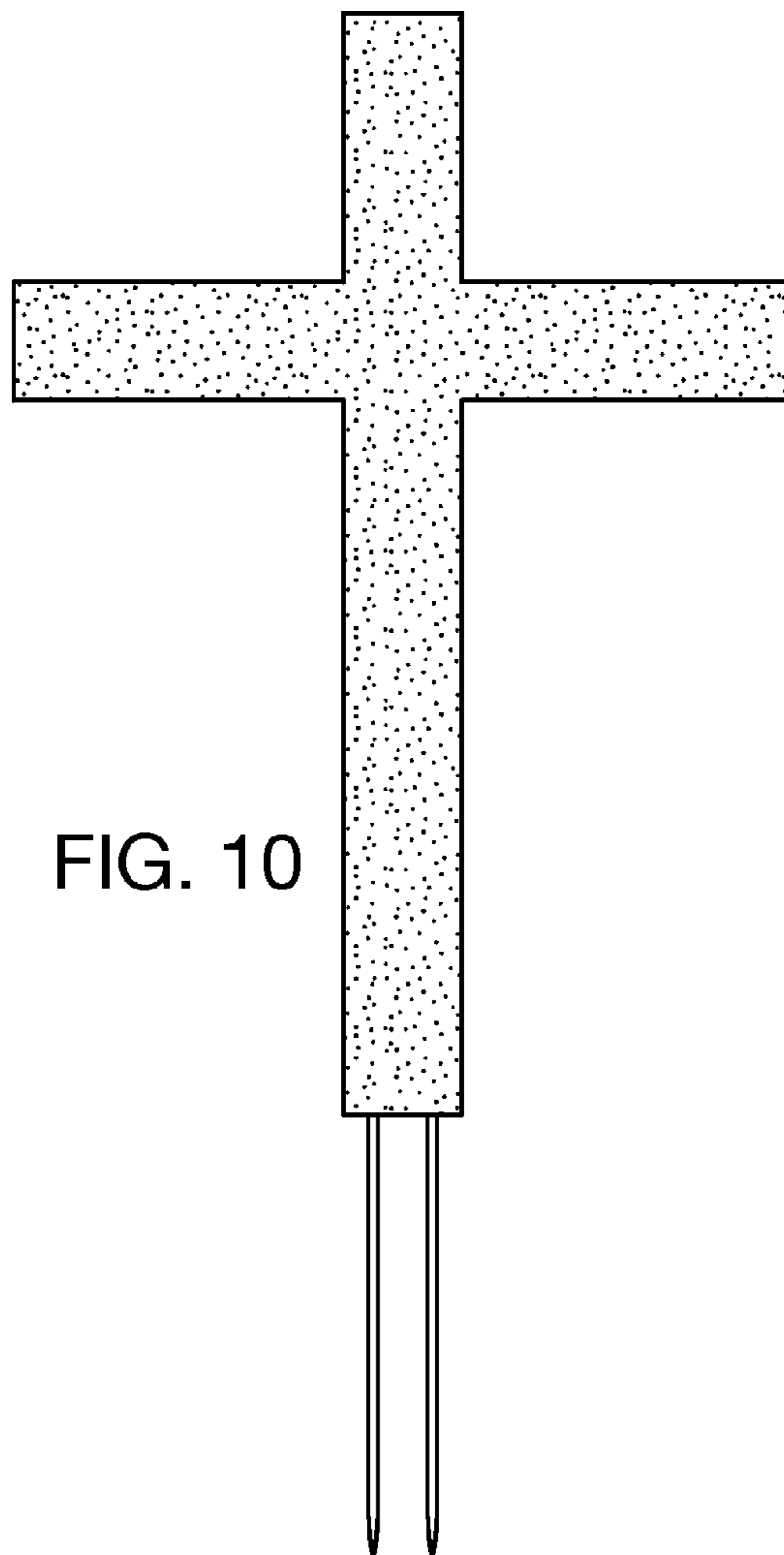


FIG. 10

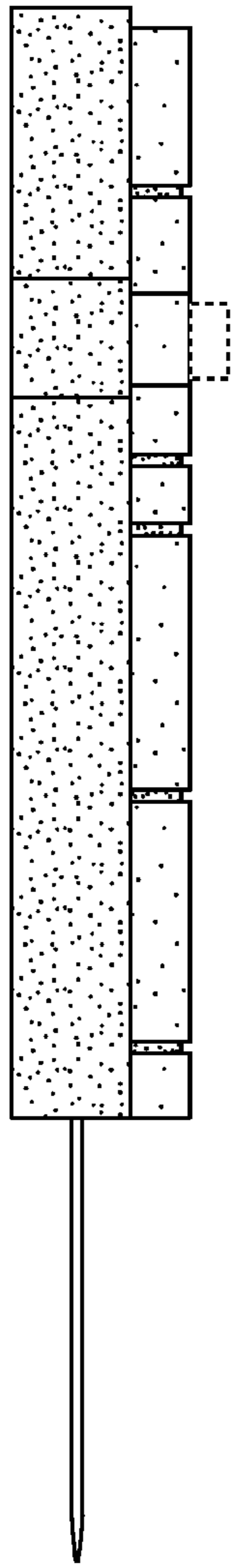


FIG. 11

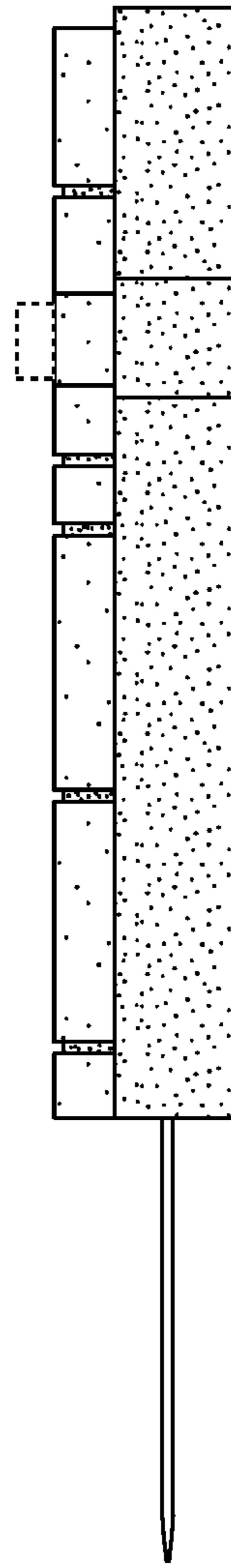


FIG. 12

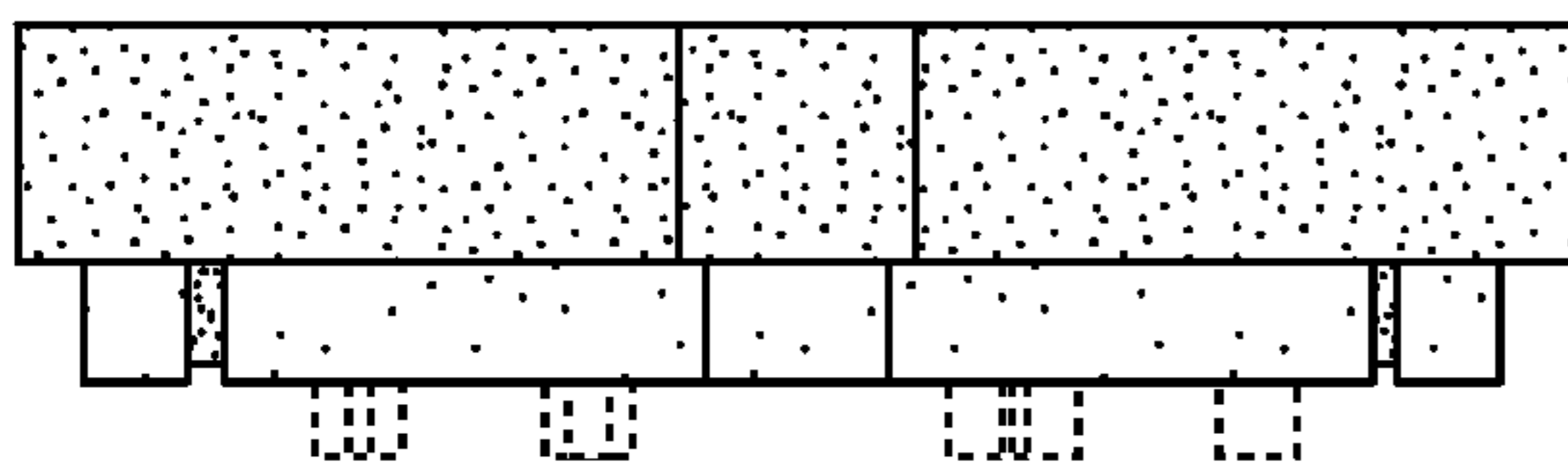


FIG. 13

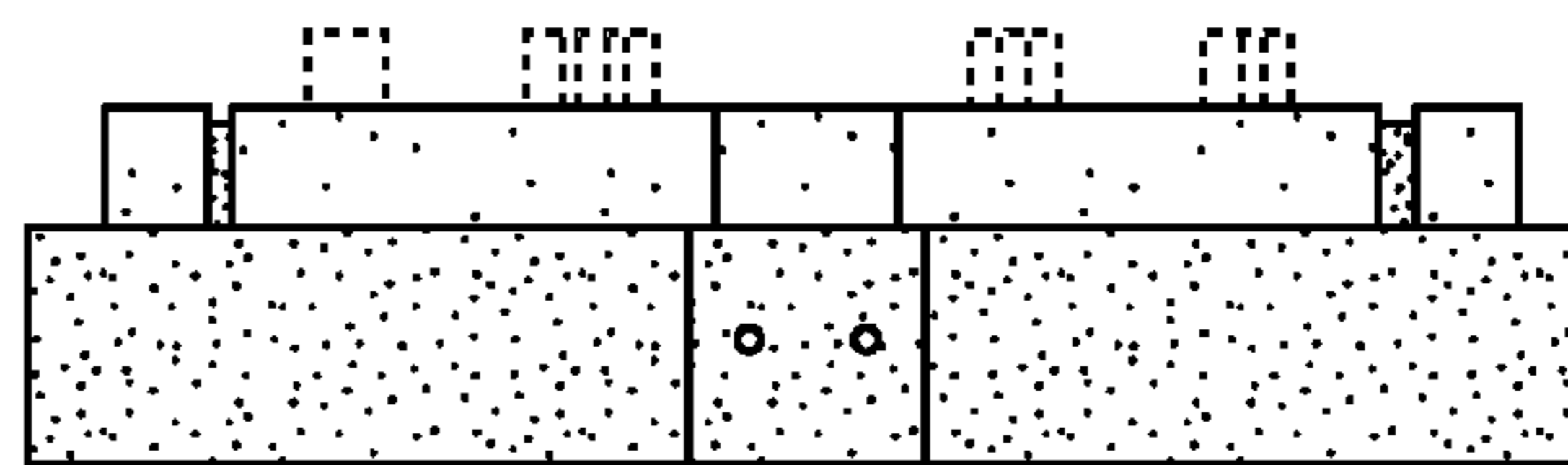


FIG. 14