

US00D638604S

(12) **United States Design Patent**
Keller

(10) **Patent No.:** **US D638,604 S**

(45) **Date of Patent:** **** May 24, 2011**

(54) **ELECTRIC JACK**

(75) Inventor: **Guillaume Keller**, Nanjing (CN)

(73) Assignee: **Chervon Limited**, Wanchai (HK)

(**) Term: **14 Years**

(21) Appl. No.: **29/349,801**

(22) Filed: **May 3, 2010**

(30) **Foreign Application Priority Data**

Nov. 5, 2009 (CN) 2009 3 0298206

(51) **LOC (9) Cl.** **12-05**

(52) **U.S. Cl.** **D34/31**

(58) **Field of Classification Search** D34/31;
254/8 B, 84, 11, 93 H, 2 B, 88, DIG. 3, 45,
254/94

See application file for complete search history.

(56) **References Cited**

U.S. PATENT DOCUMENTS

D216,034 S *	11/1969	Gearder et al.	D34/31
3,758,076 A *	9/1973	Tranhero	254/8 R
D235,751 S *	7/1975	Butorac	D34/31
4,850,568 A *	7/1989	Hung	254/8 B
D431,707 S *	10/2000	Few	D34/31

* cited by examiner

Primary Examiner — Cynthia E Ramirez

(74) *Attorney, Agent, or Firm* — McDermott Will & Emery LLP

(57) **CLAIM**

I claim the ornamental design for an electric jack, as shown and described.

DESCRIPTION

FIG. 1 is a right side elevational view of an electric jack showing my new design.

FIG. 2 is a left side elevational view of the electric jack shown in FIG. 1.

FIG. 3 is a rear elevational view of the electric jack shown in FIG. 1.

FIG. 4 is a front elevational view of the electric jack shown in FIG. 1.

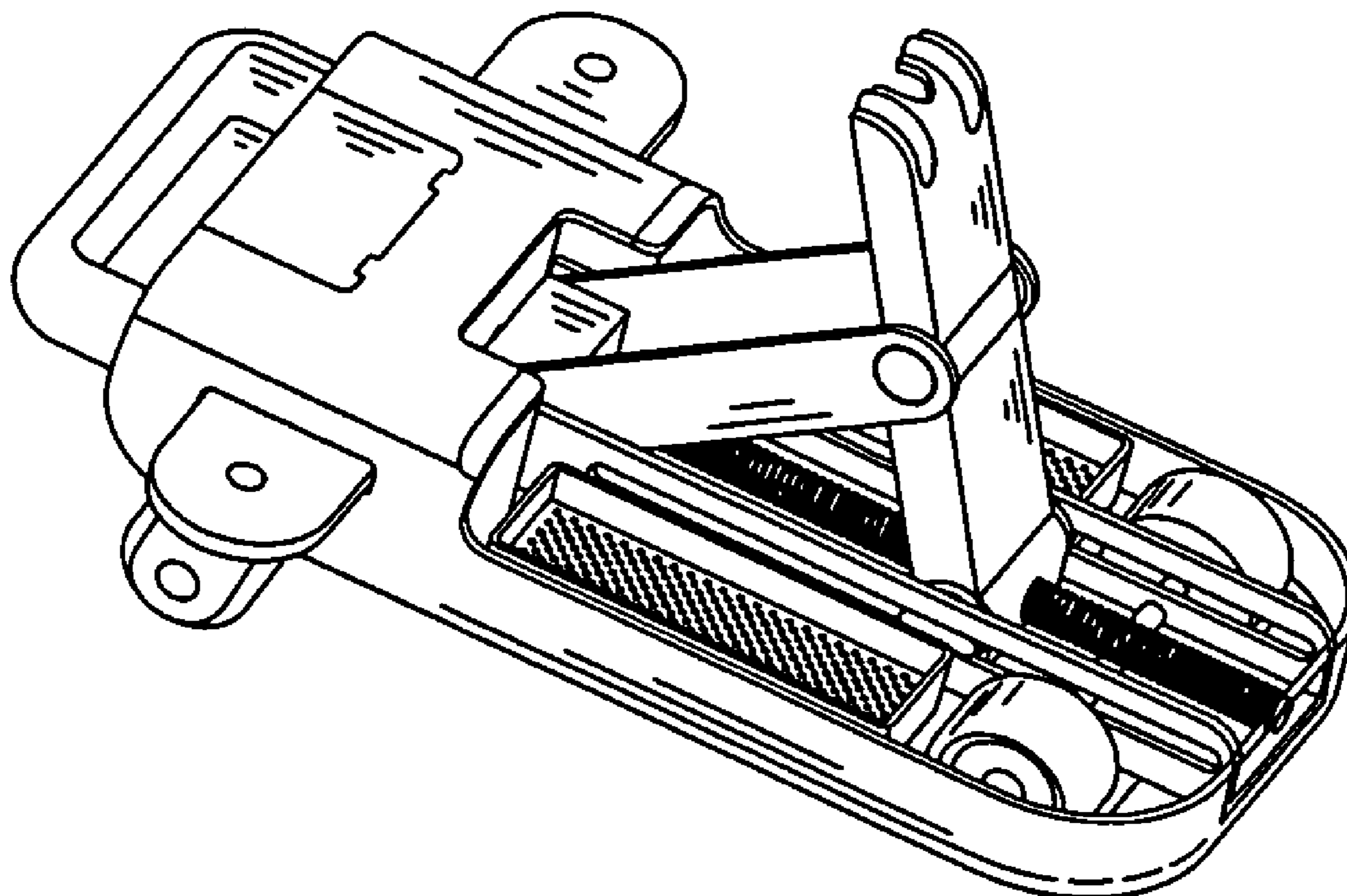
FIG. 5 is a top plan view of the electric jack shown in FIG. 1.

FIG. 6 is a bottom plan view of the electric jack shown in FIG. 1.

FIG. 7 is a perspective view of the electric jack shown in FIG. 1; and,

FIG. 8 is a perspective view of the electric jack shown in FIG. 1.

1 Claim, 4 Drawing Sheets



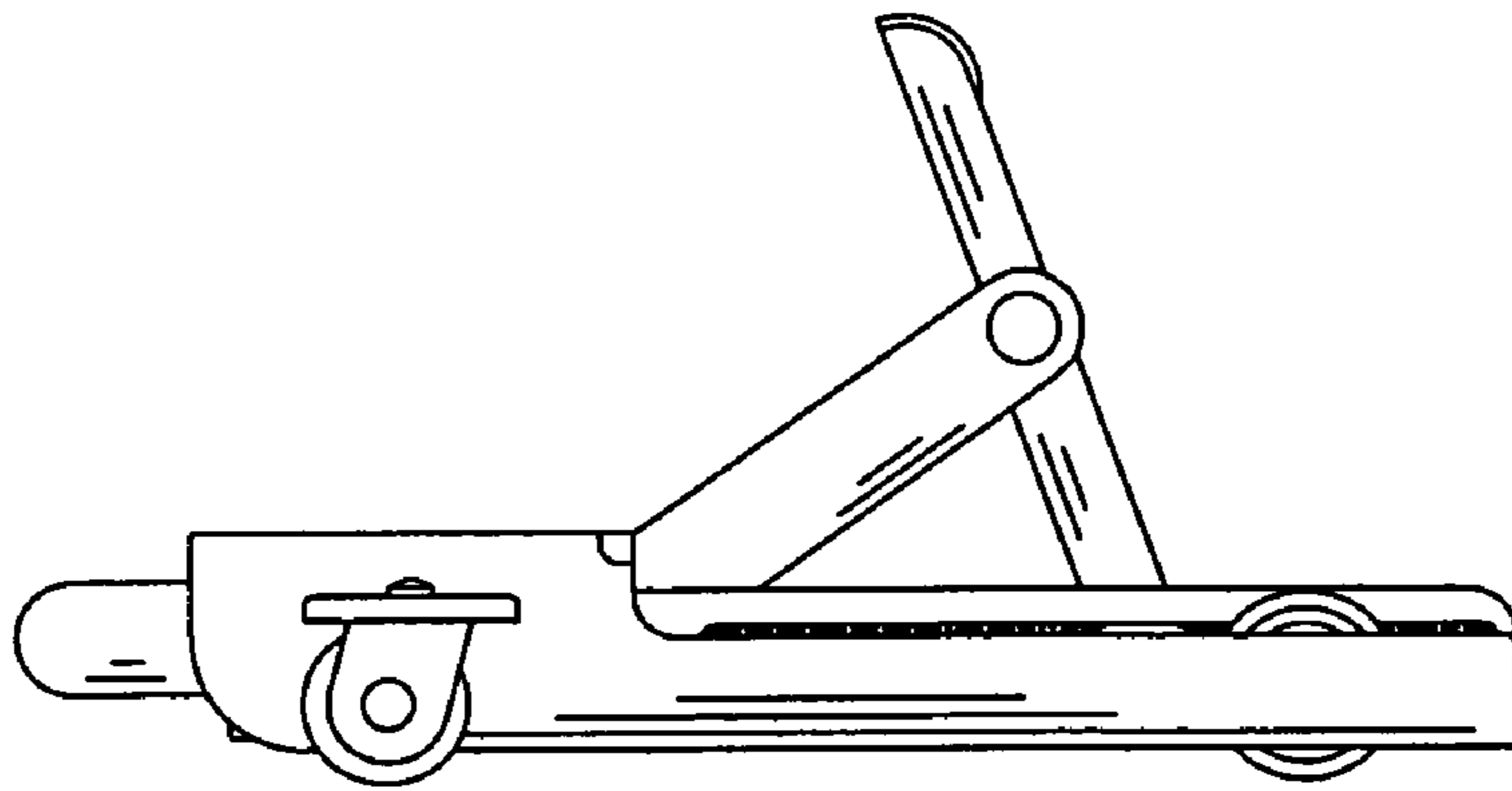


Fig. 1

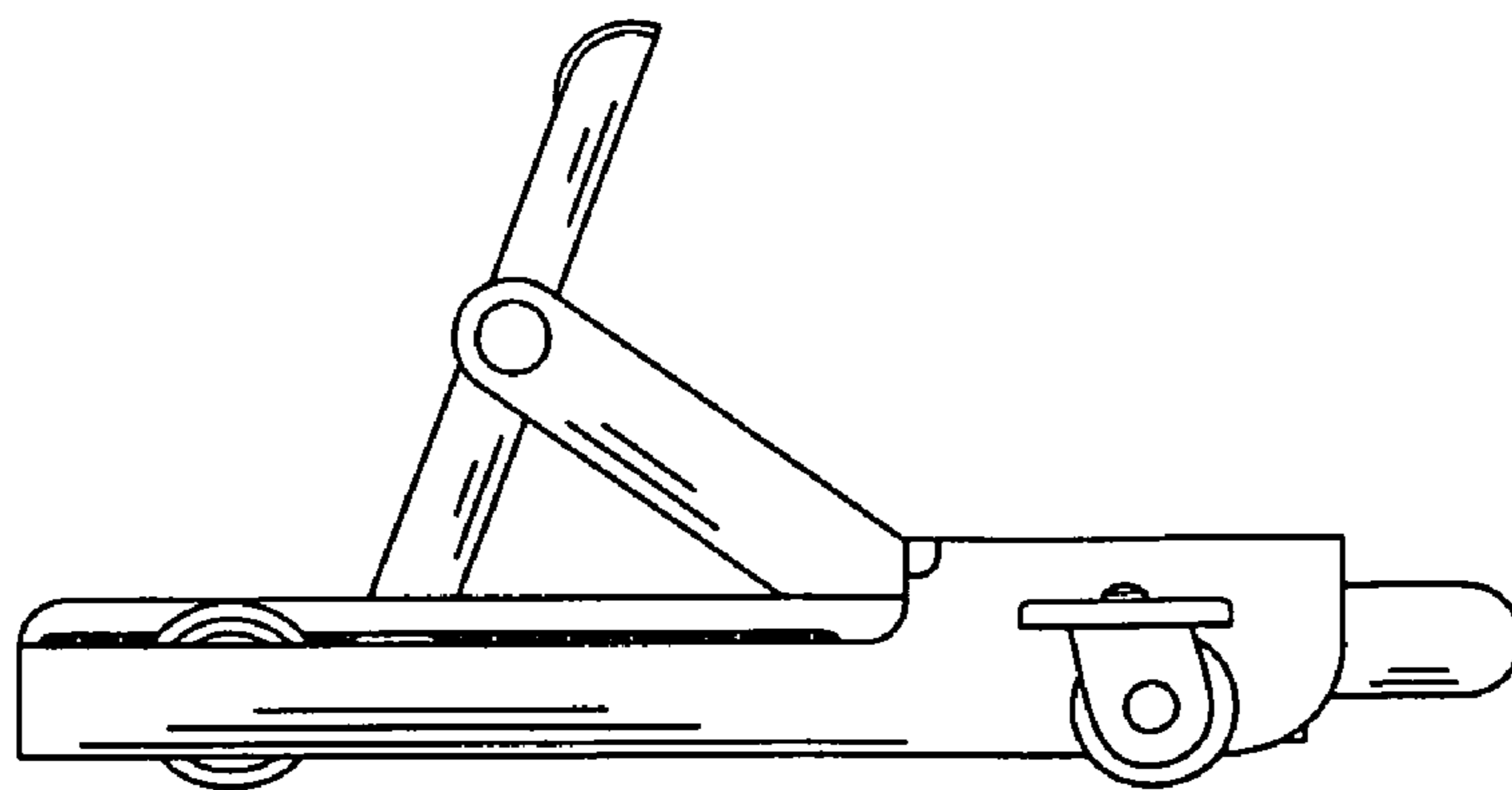


Fig. 2

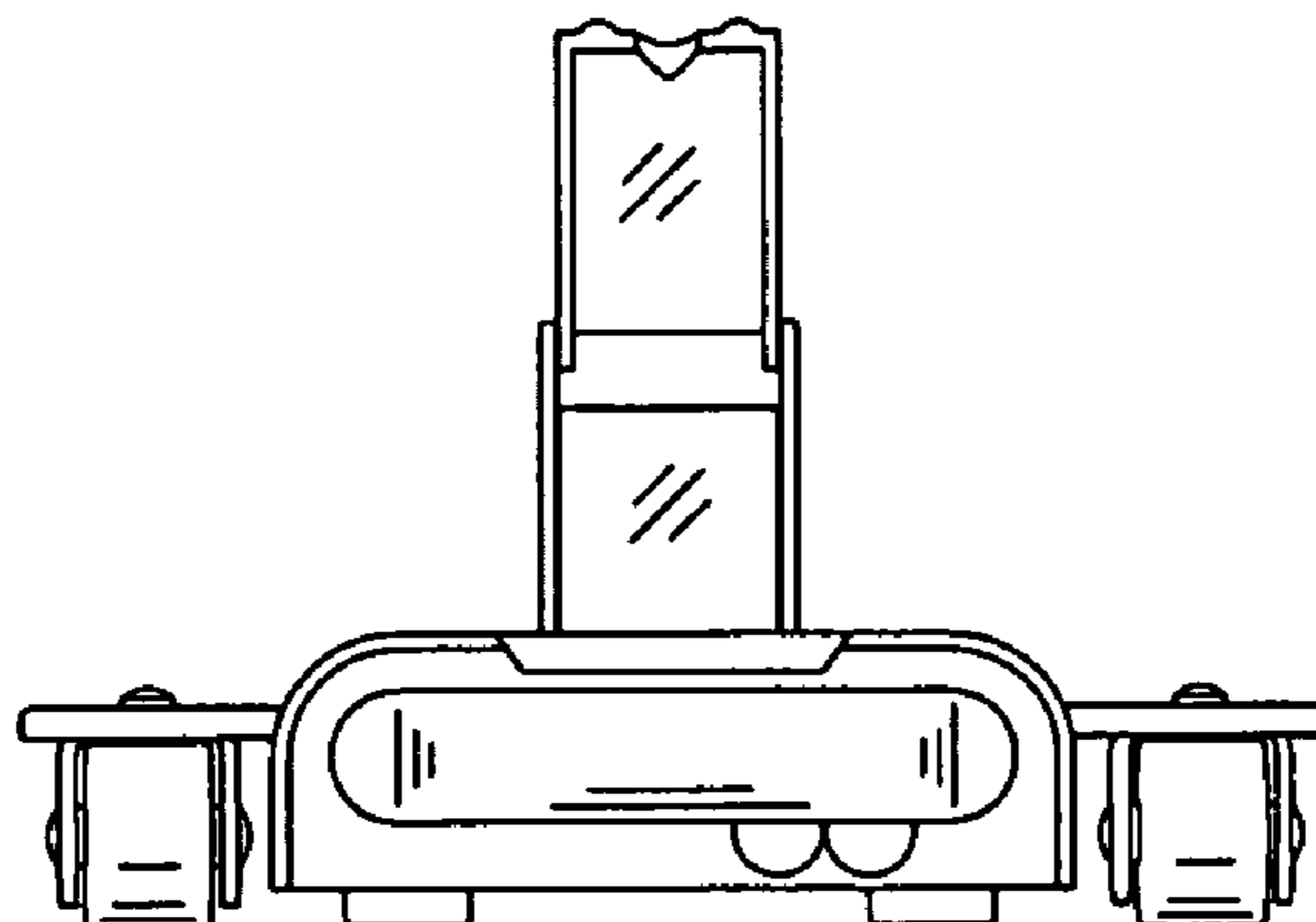


Fig. 3

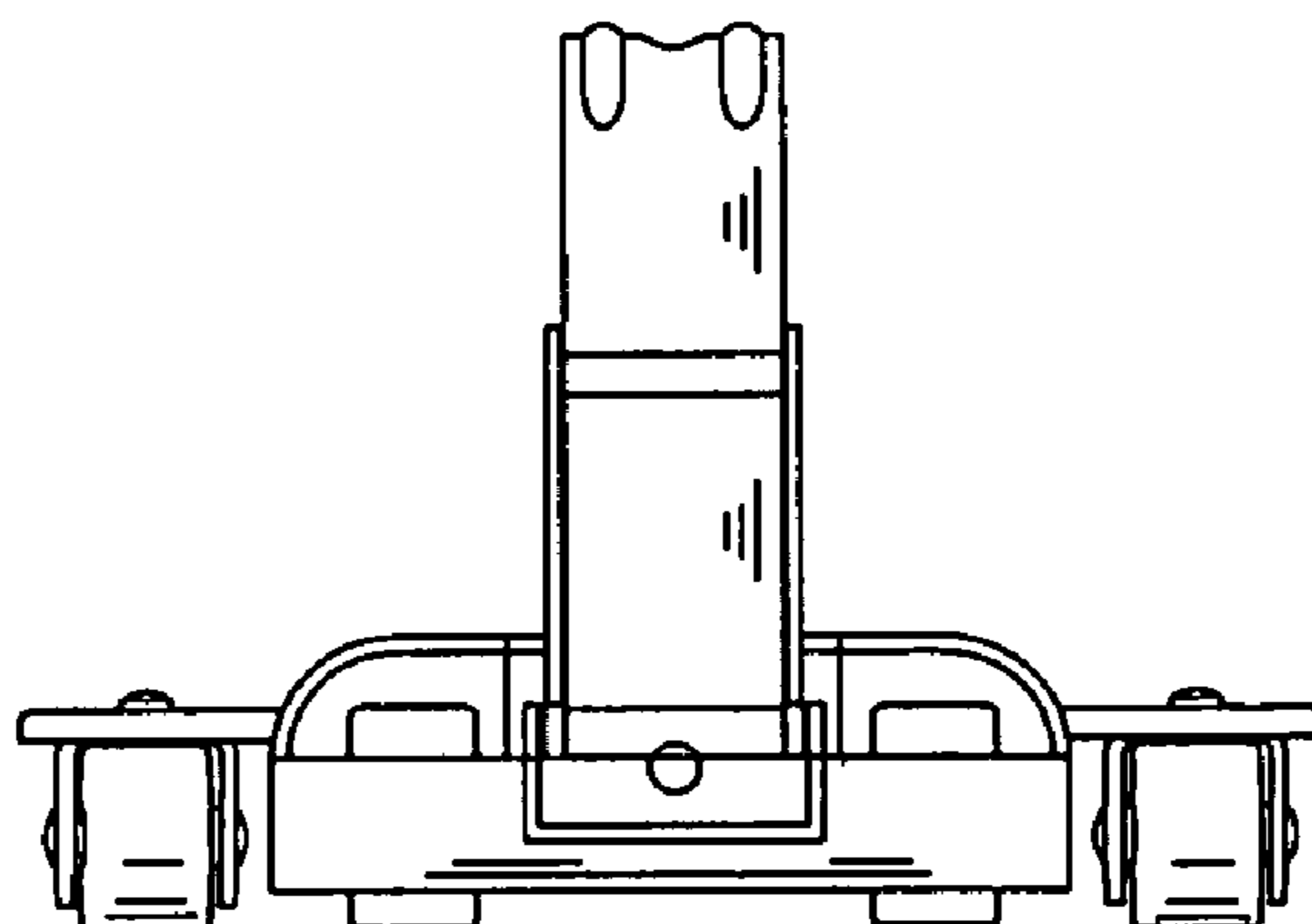


Fig. 4

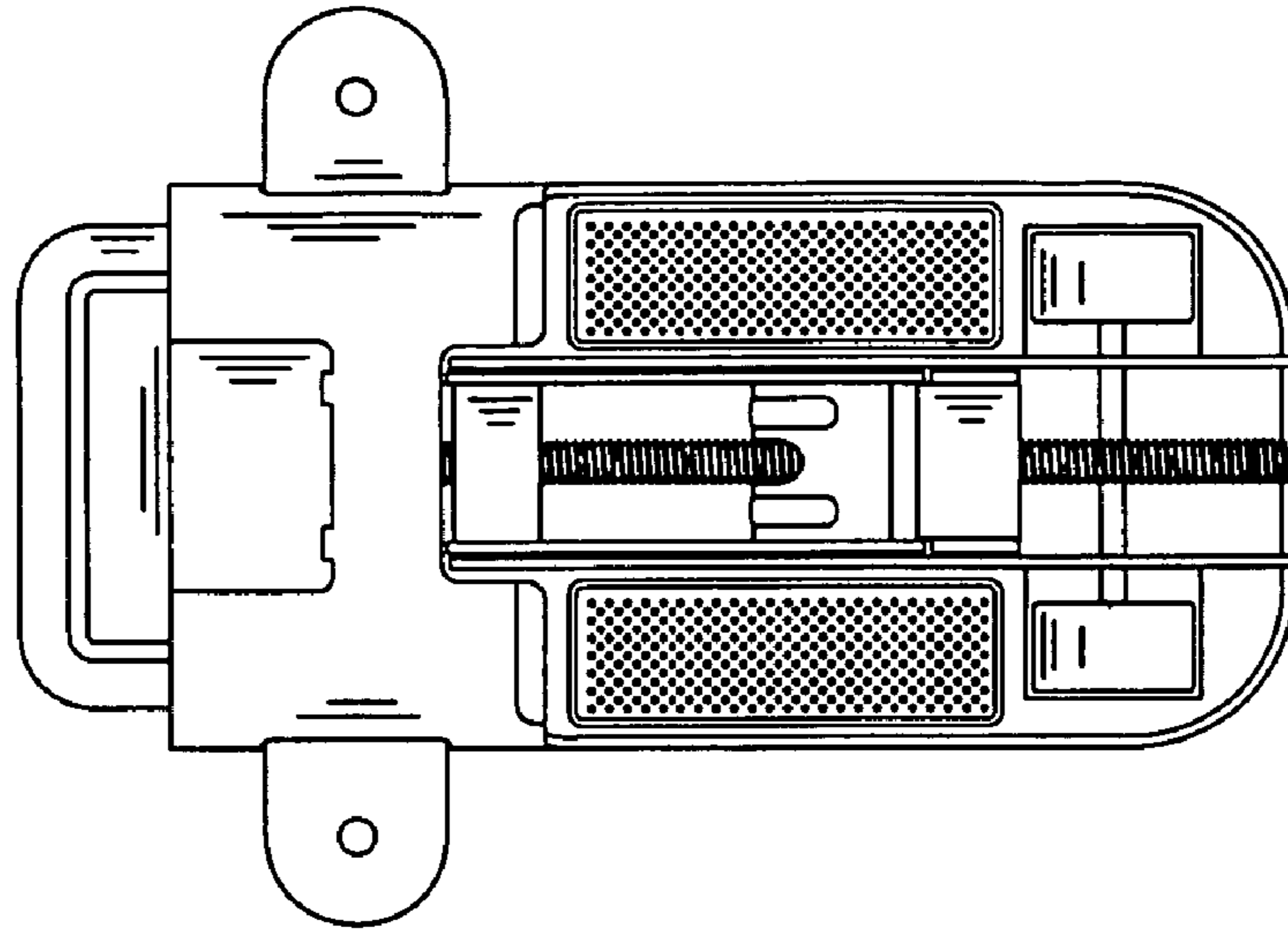


Fig. 5

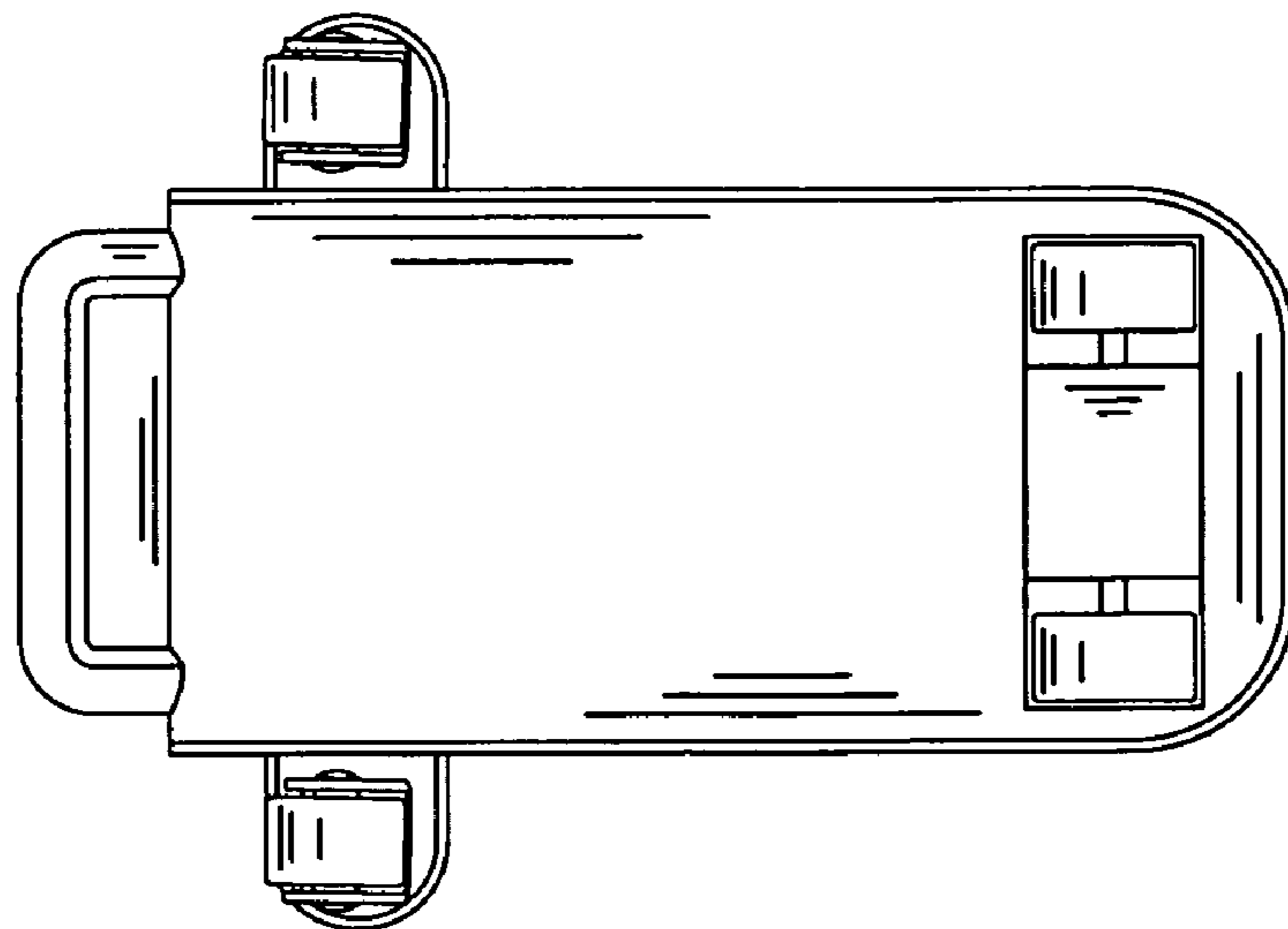


Fig. 6

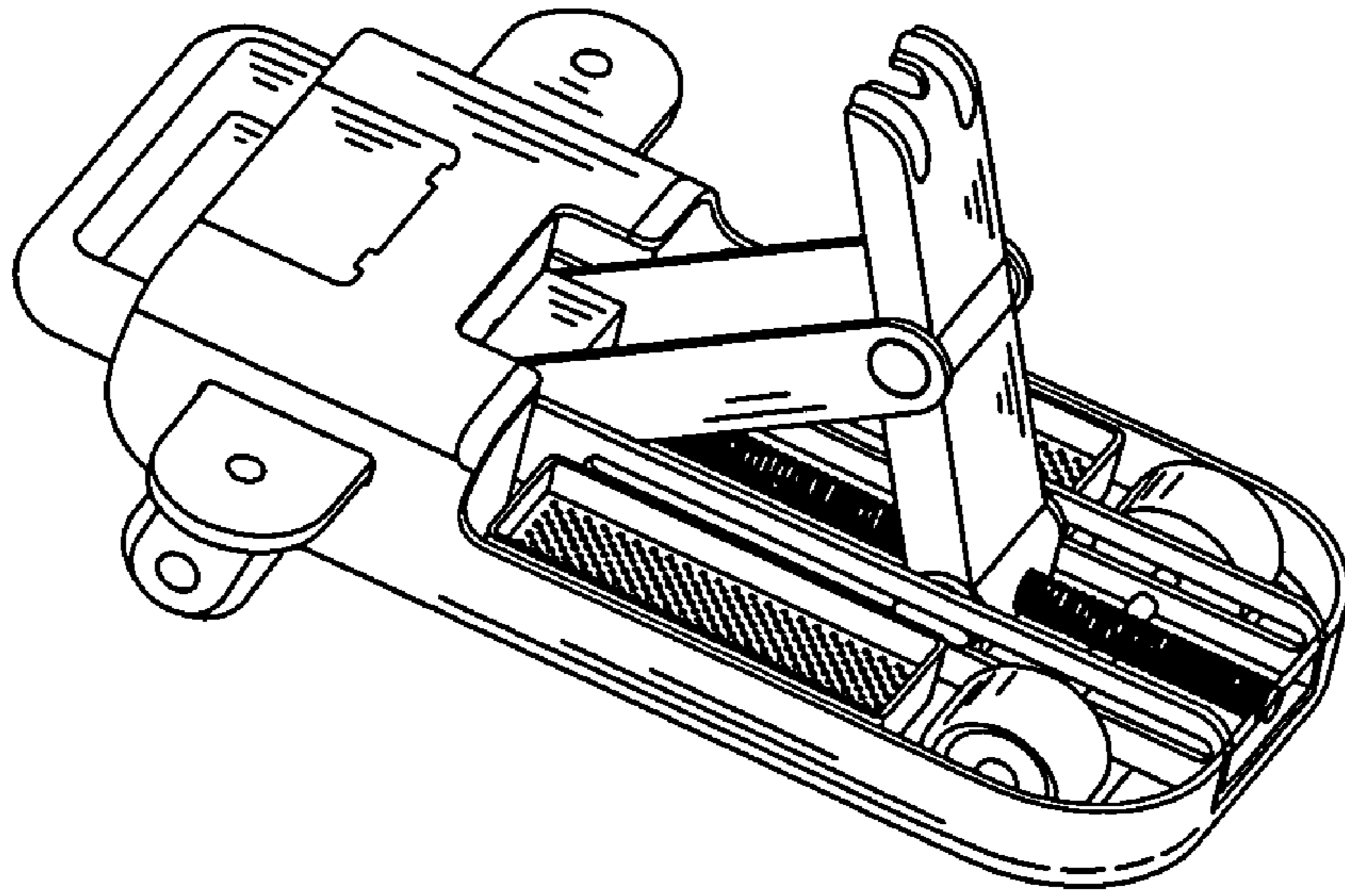


Fig. 7

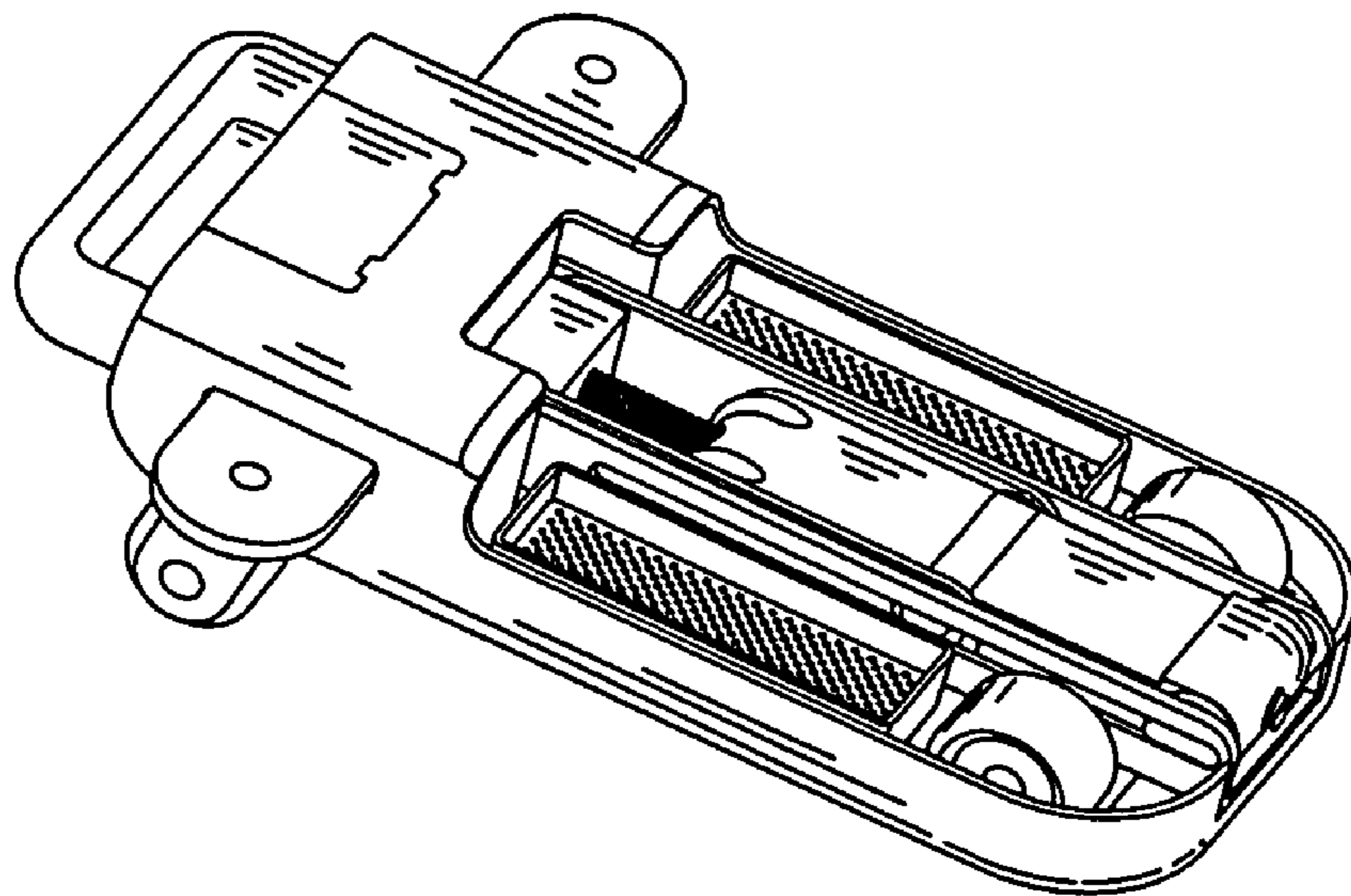


Fig. 8