



US00D638601S

(12) **United States Design Patent**
Lin

(10) **Patent No.:** **US D638,601 S**

(45) **Date of Patent:** **** May 24, 2011**

(54) **GOLF CART**

(76) Inventor: **Wen-Tsan Lin**, Taichung (TW)

(**) Term: **14 Years**

(21) Appl. No.: **29/368,505**

(22) Filed: **Aug. 25, 2010**

(51) **LOC (9) Cl.** **12-13**

(52) **U.S. Cl.** **D34/15**

(58) **Field of Classification Search** D34/12-27;
280/DIG. 5, DIG. 6, 62, 47.19, 47.26, 47.17,
280/47.18, 47.24, 40, 30, 41, 646, 652, 47.22,
280/79.11

See application file for complete search history.

(56) **References Cited**

U.S. PATENT DOCUMENTS

D454,417	S *	3/2002	Wu	D34/15
6,698,789	B2 *	3/2004	Reimers et al.	280/651
6,969,078	B2 *	11/2005	Liao	280/38
7,128,333	B2 *	10/2006	Reimers et al.	280/651
D570,571	S *	6/2008	Liao	D34/15
D599,522	S *	9/2009	Wu	D34/15

D599,973	S *	9/2009	Liao	D34/15
D622,924	S *	8/2010	Liao	D34/15
D632,449	S *	2/2011	Liao	D34/15
2009/0115168	A1 *	5/2009	Liao	280/651

* cited by examiner

Primary Examiner — Cynthia E Ramirez

(74) *Attorney, Agent, or Firm* — Chun-Ming Shih

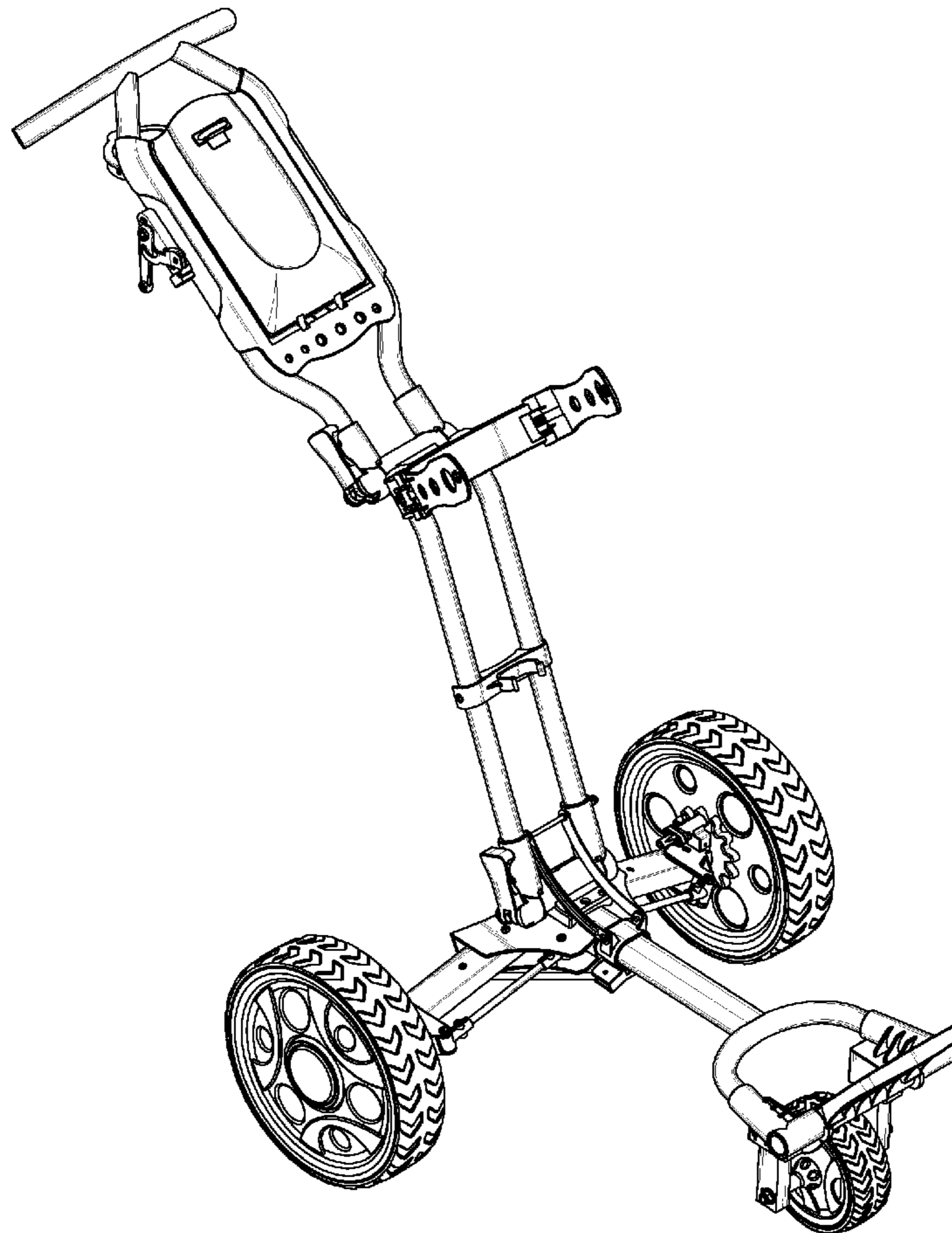
(57) **CLAIM**

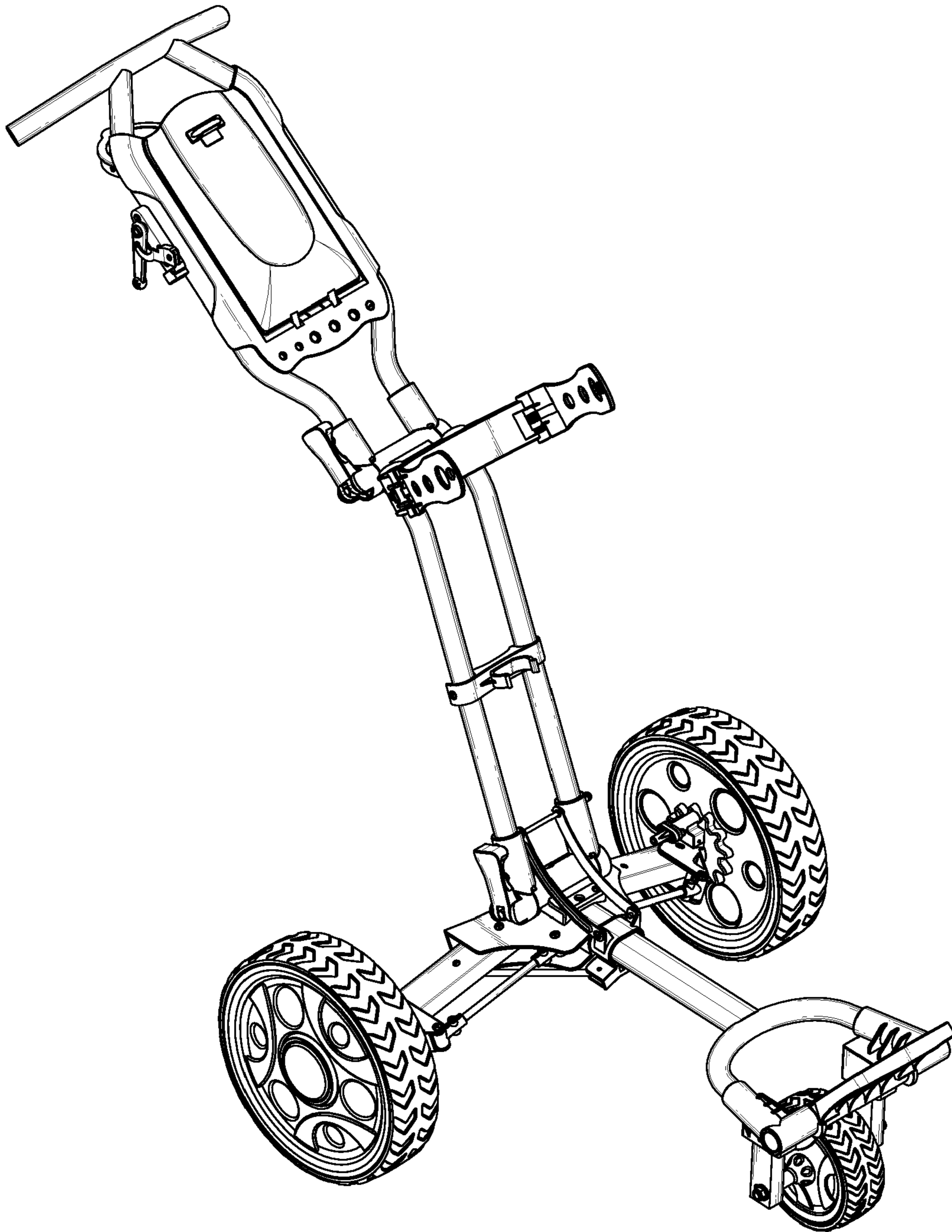
The ornamental design for a golf cart, as shown and described.

DESCRIPTION

FIG. 1 is a perspective view of a golf cart showing my new design;
 FIG. 2 is a front elevation view thereof;
 FIG. 3 is a rear elevation view thereof;
 FIG. 4 is a left side elevation view thereof;
 FIG. 5 is a right side elevation view thereof;
 FIG. 6 is a top plan view thereof;
 FIG. 7 is a bottom plan view thereof; and,
 FIG. 8 is a perspective schematic view illustrating a golf cart showing my design being folded.

1 Claim, 8 Drawing Sheets





F I G . 1

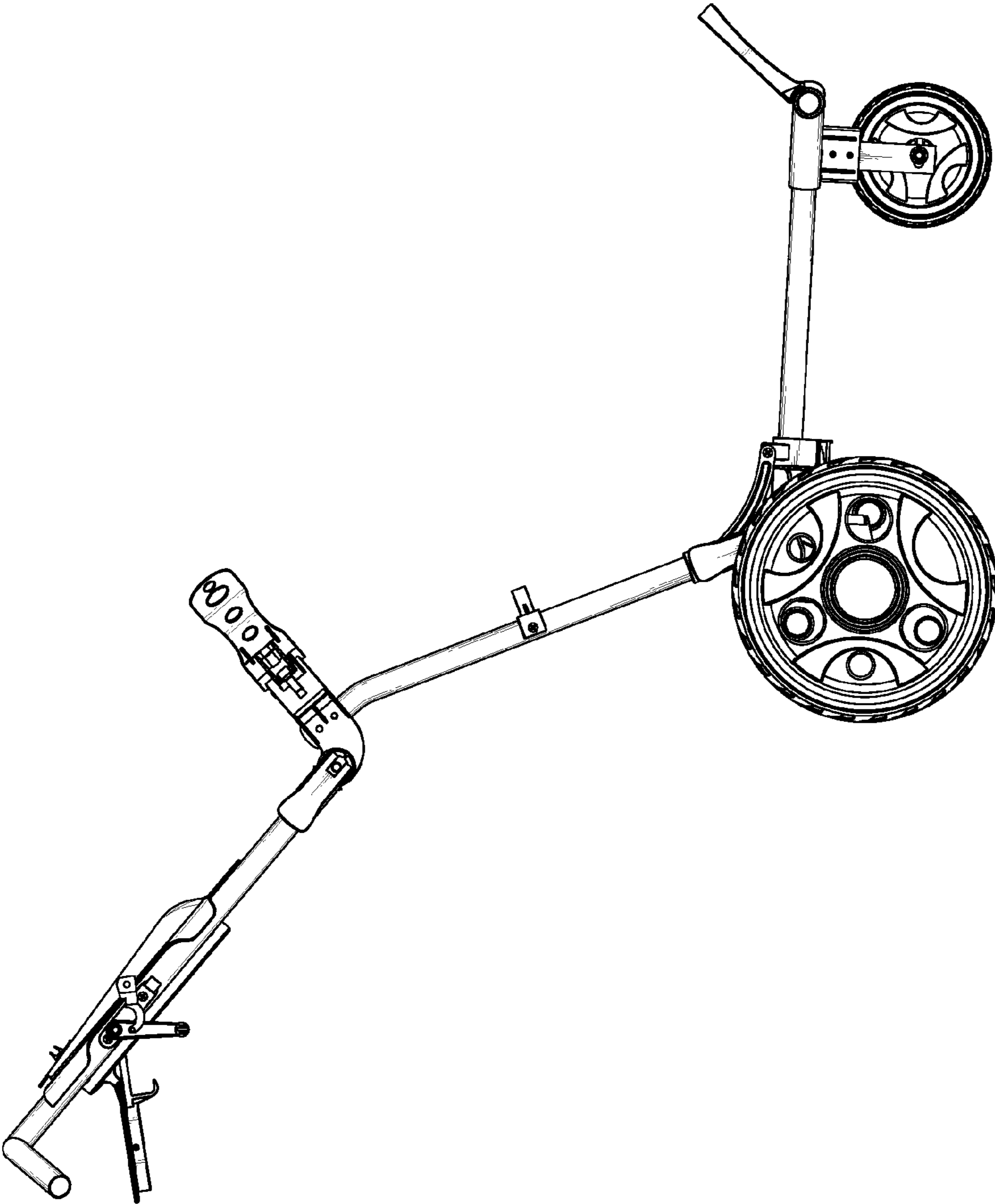


FIG. 2

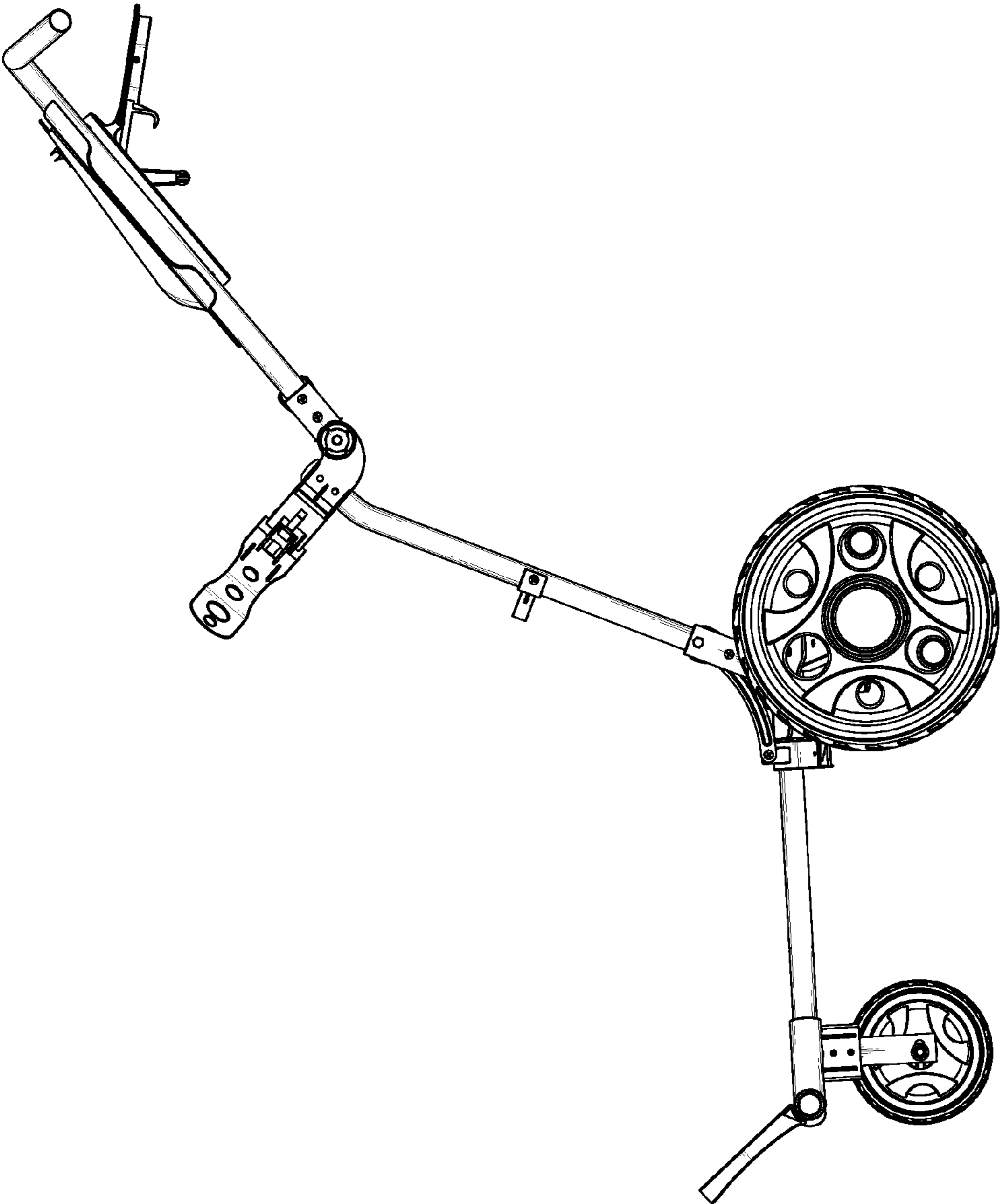


FIG. 3

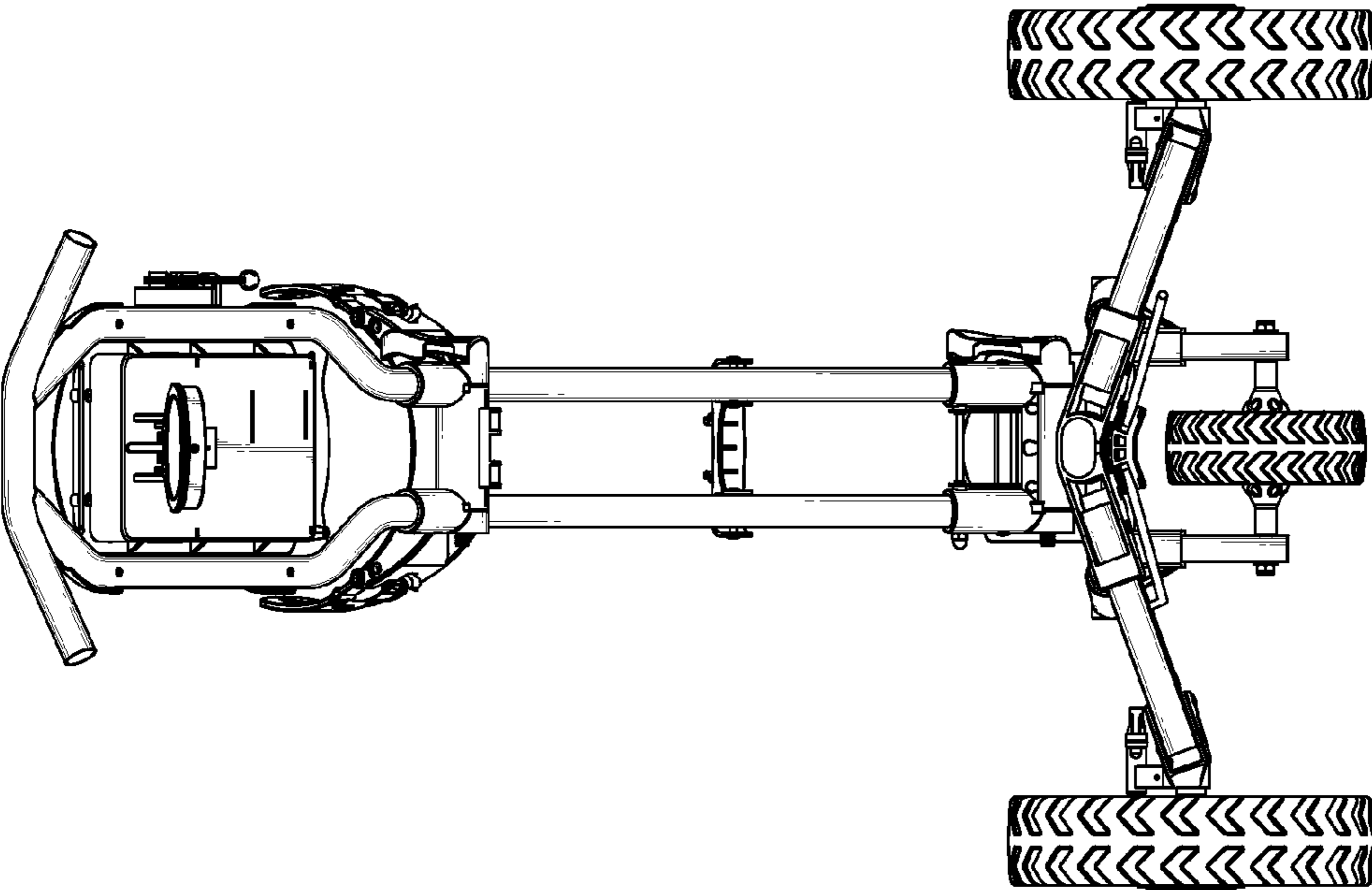


FIG. 4

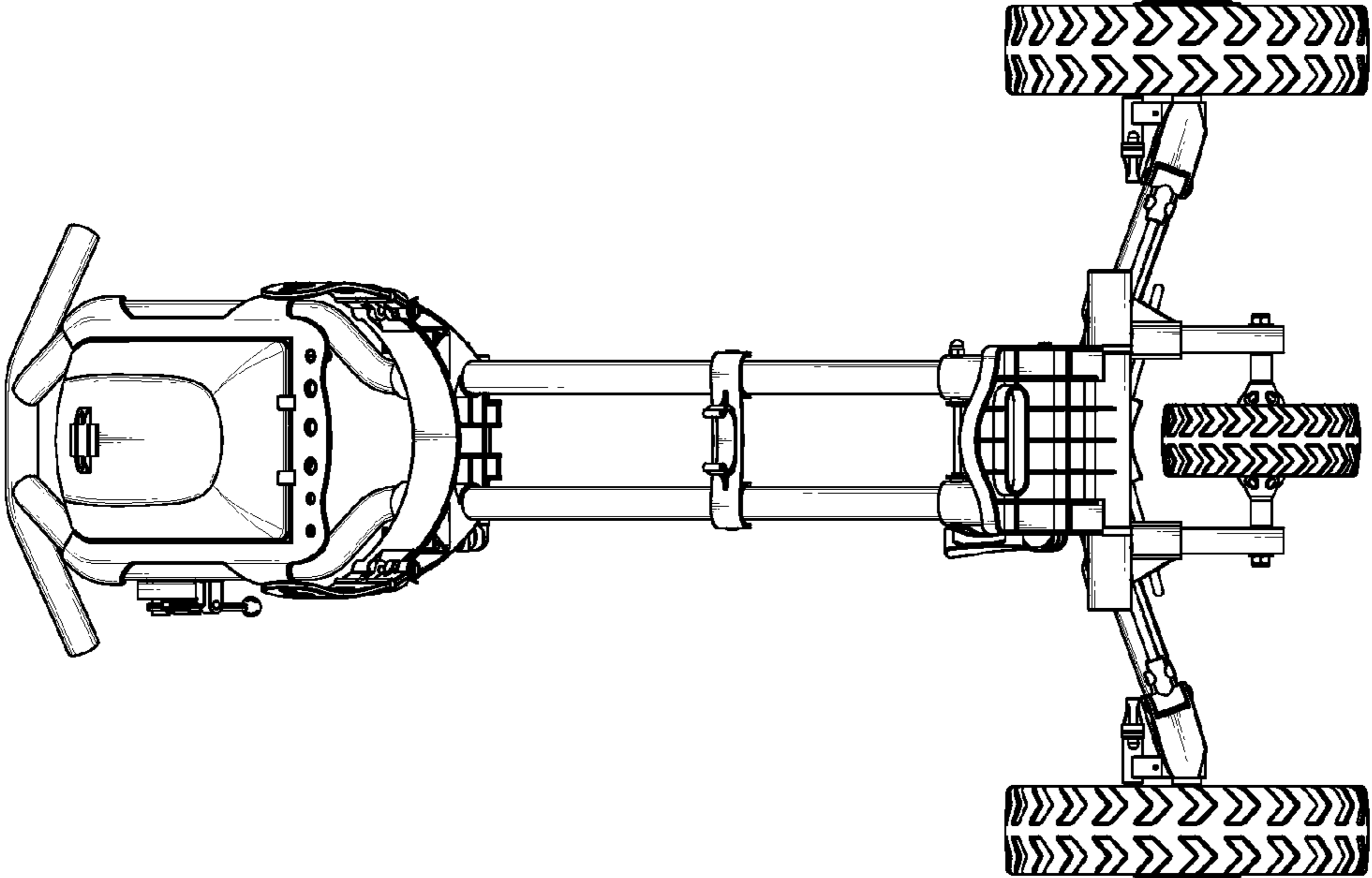


FIG. 5

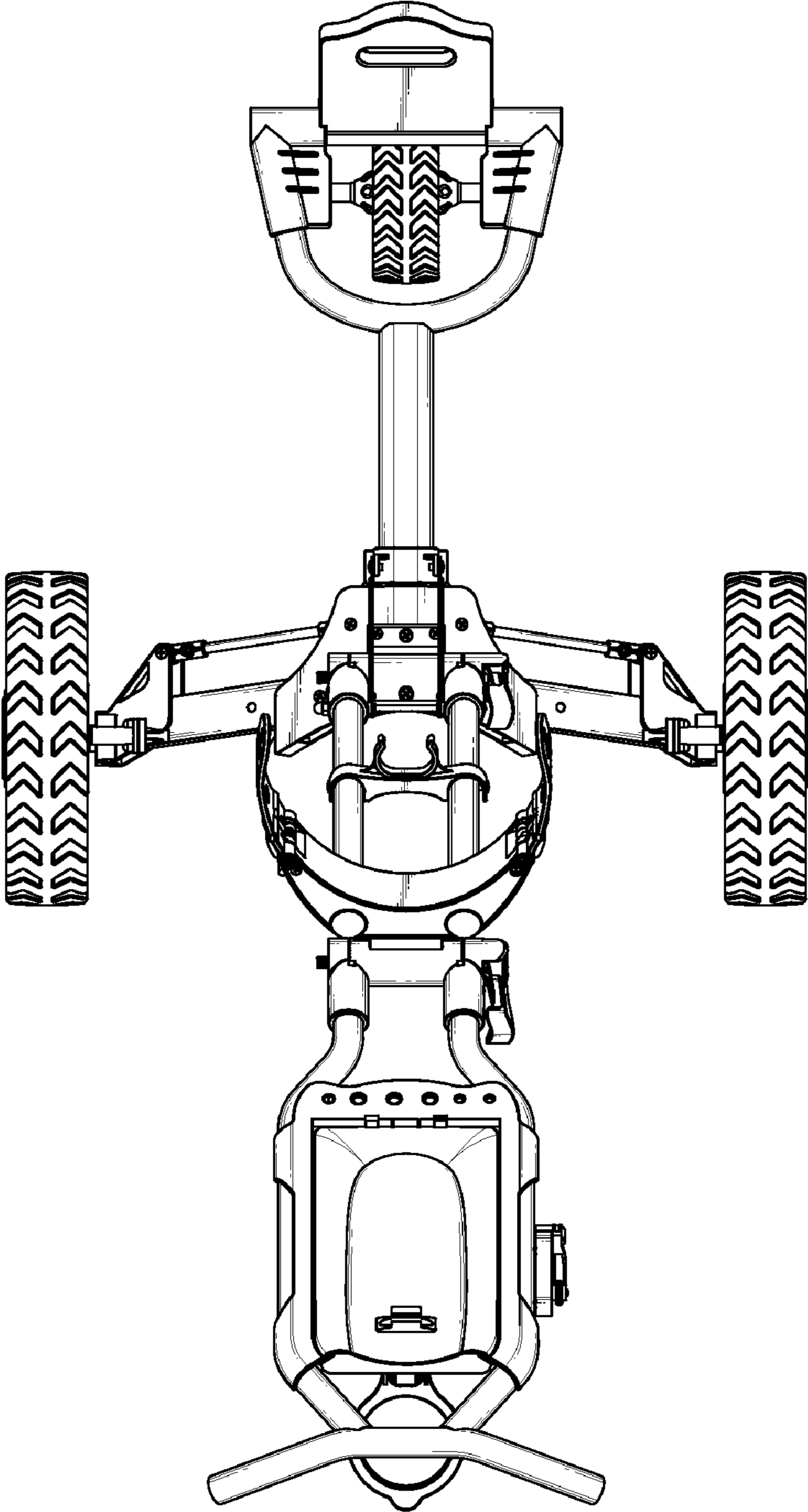


FIG. 6

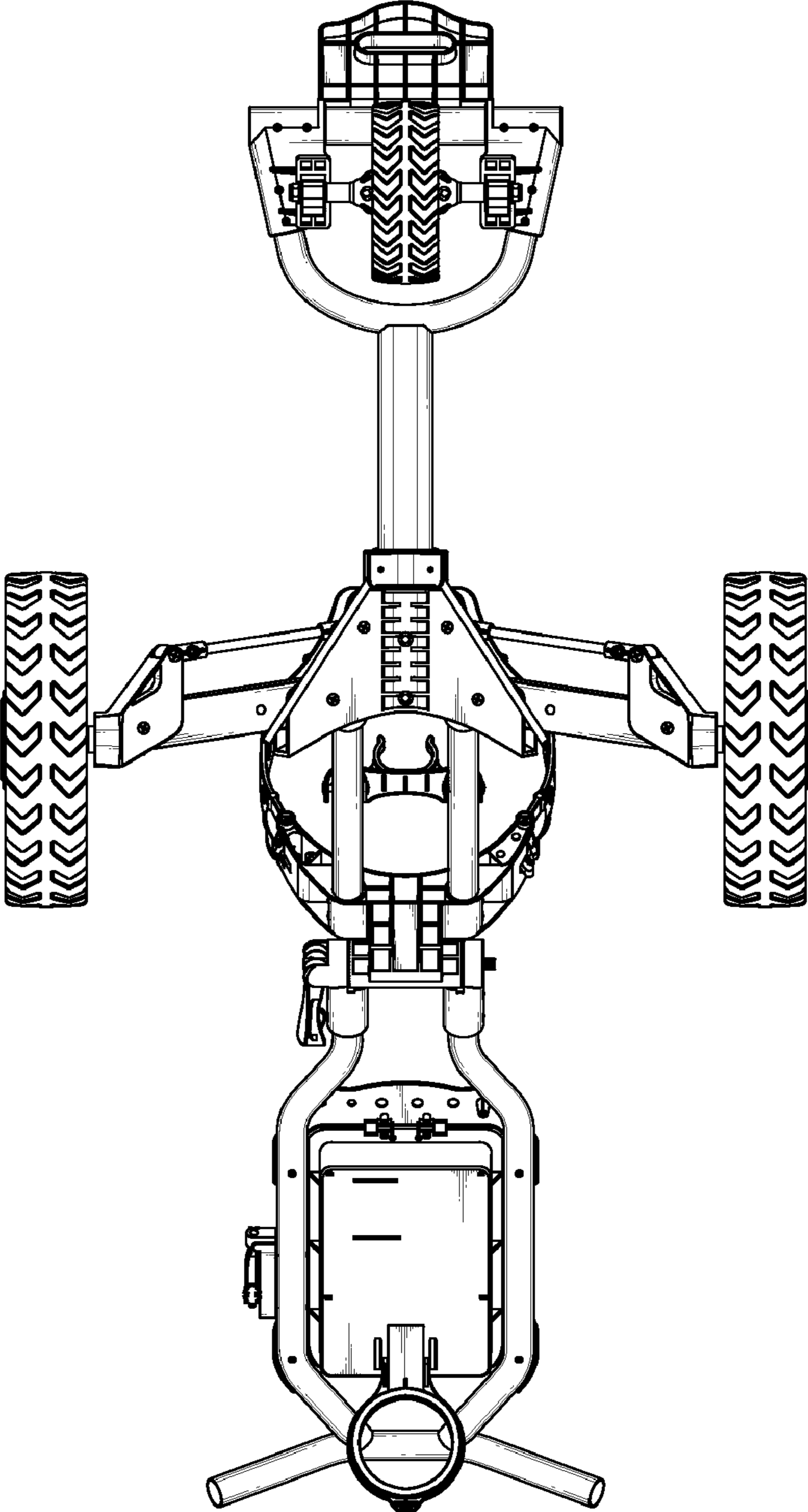


FIG. 7

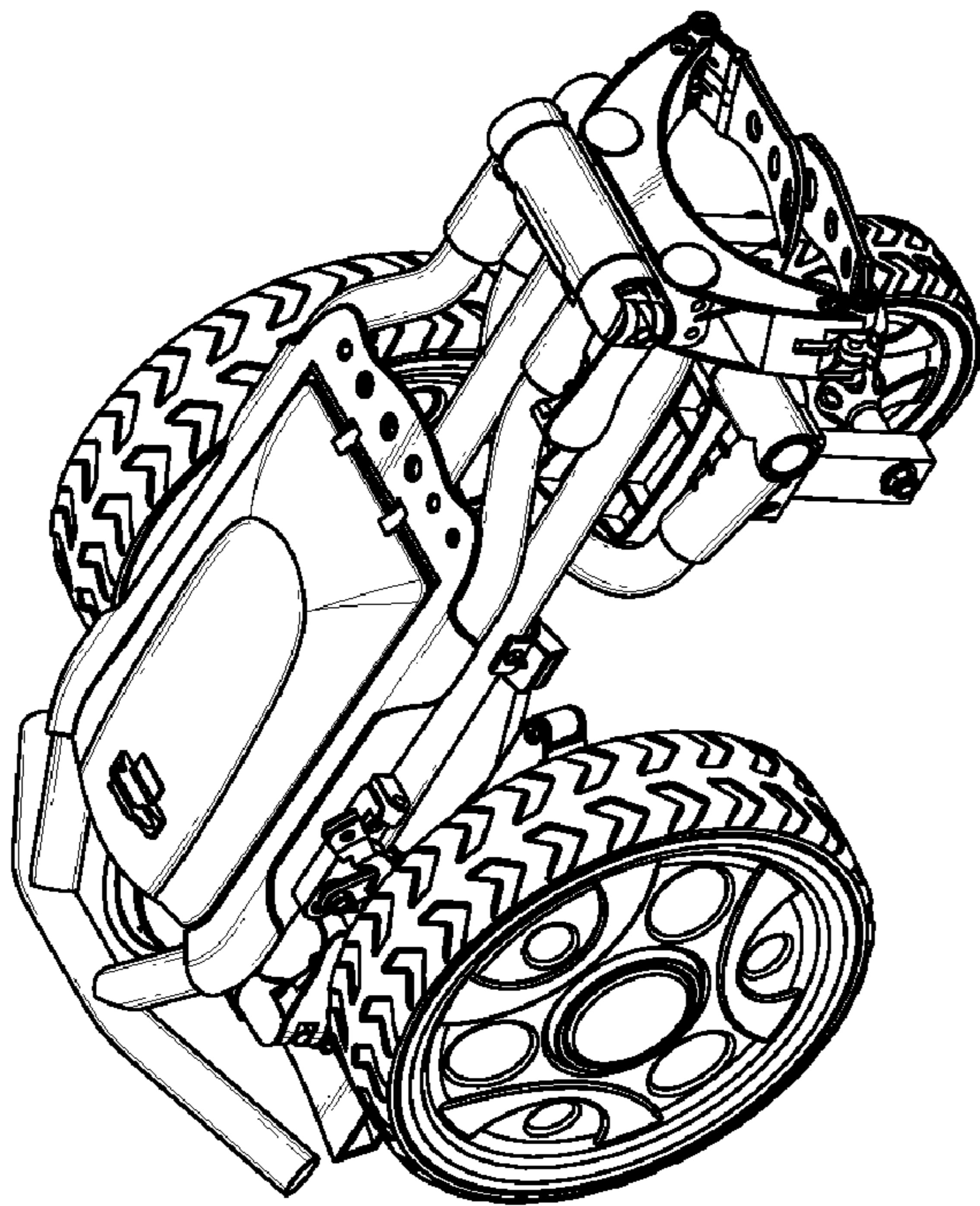


FIG. 8