



US00D638597S

(12) **United States Design Patent**  
**Choi**

(10) **Patent No.:** **US D638,597 S**

(45) **Date of Patent:** **\*\* May 24, 2011**

(54) **STEAM IRON**

(76) Inventor: **Lung Wai Choi**, Hong Kong (HK)

(\*\*) Term: **14 Years**

(21) Appl. No.: **29/366,325**

(22) Filed: **Jul. 22, 2010**

(51) **LOC (9) Cl.** ..... **07-05**

(52) **U.S. Cl.** ..... **D32/70**

(58) **Field of Classification Search** ..... D32/70,  
D32/71, 73, 72, 69, 68, 35; 392/404; 38/97,  
38/96, 93, 88, 77.9, 77.83, 77.82, 77.81,  
38/77.8, 77.7, 77.6, 77.5, 77.3, 77.1; 219/251,  
219/245, 257

See application file for complete search history.

(56) **References Cited**

**U.S. PATENT DOCUMENTS**

D361,184 S *	8/1995	Casuso Fuente	.....	D32/70
D367,138 S *	2/1996	Laborda	.....	D32/70
D370,103 S *	5/1996	Gudefin	.....	D32/70
D389,622 S *	1/1998	Dziersk	.....	D32/70
D393,509 S *	4/1998	Gudefin	.....	D32/70
D401,706 S *	11/1998	Gudefin	.....	D32/70
D419,274 S *	1/2000	Choi	.....	D32/70
D433,551 S *	11/2000	Powell	.....	D32/70
D442,752 S *	5/2001	Choi	.....	D32/70
D455,533 S *	4/2002	Choi	.....	D32/70
D455,879 S *	4/2002	Choi	.....	D32/70
D463,891 S *	10/2002	Choi	.....	D32/70

D470,635 S *	2/2003	Choi	.....	D32/70
D472,354 S *	3/2003	Figur et al.	.....	D32/70
D481,503 S *	10/2003	Choi	.....	D32/70
D484,289 S *	12/2003	Berthier	.....	D32/70
D511,033 S *	10/2005	Berthier	.....	D32/70
D535,074 S *	1/2007	Bas et al.	.....	D32/70
D547,916 S *	7/2007	Lebot et al.	.....	D32/70
D550,916 S *	9/2007	Poon	.....	D32/70
D551,413 S *	9/2007	Poon	.....	D32/70
D555,315 S *	11/2007	Poon	.....	D32/70
D565,820 S *	4/2008	Poon	.....	D32/70
D568,020 S *	4/2008	Poon	.....	D32/70
D587,419 S *	2/2009	Garman et al.	.....	D32/69
D620,663 S *	7/2010	Zabala	.....	D32/70

\* cited by examiner

*Primary Examiner* — Austin Murphy

(57) **CLAIM**

The ornamental design for a steam iron, as shown.

**DESCRIPTION**

FIG. 1 is a front elevational view of a steam iron showing my new design;

FIG. 2 is a rear elevational view thereof;

FIG. 3 is a left side elevational view thereof;

FIG. 4 is a right side elevational view thereof;

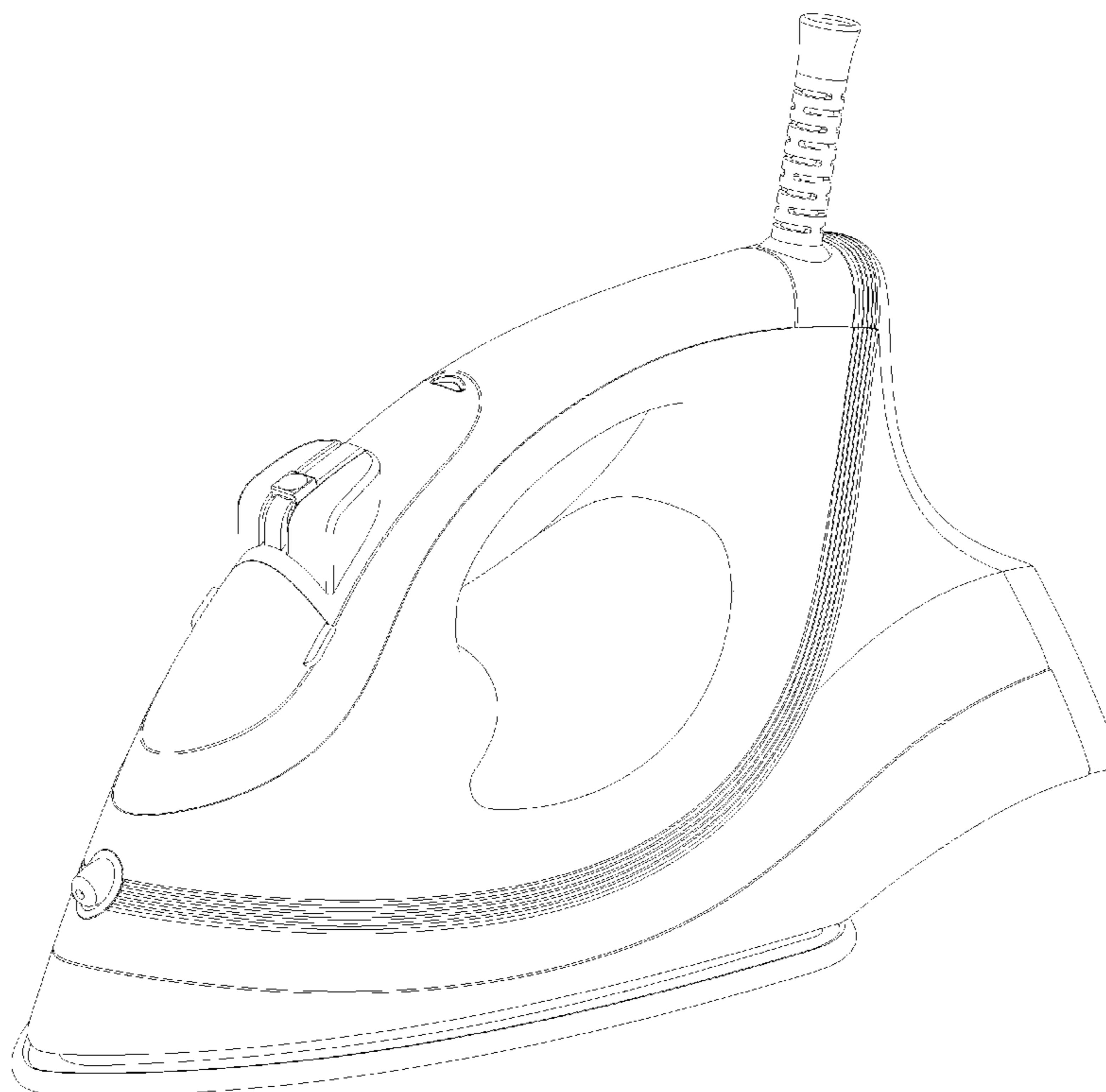
FIG. 5 is a top plan view thereof;

FIG. 6 is a bottom plan view thereof; and,

FIG. 7 is a perspective view thereof.

The broken lines in the drawings illustrate the portions of the design that form no part of the claim.

**1 Claim, 7 Drawing Sheets**



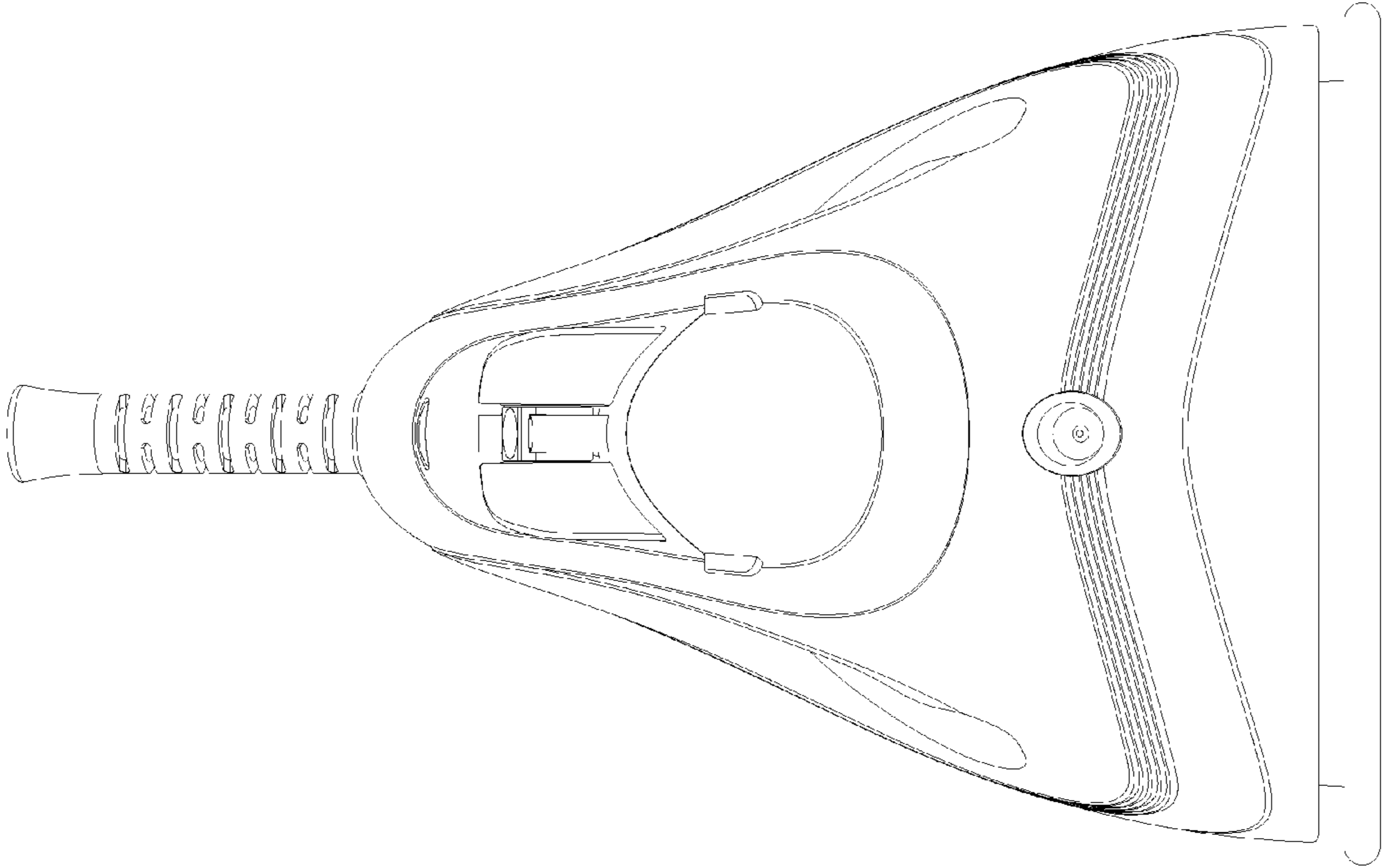


FIG. 1

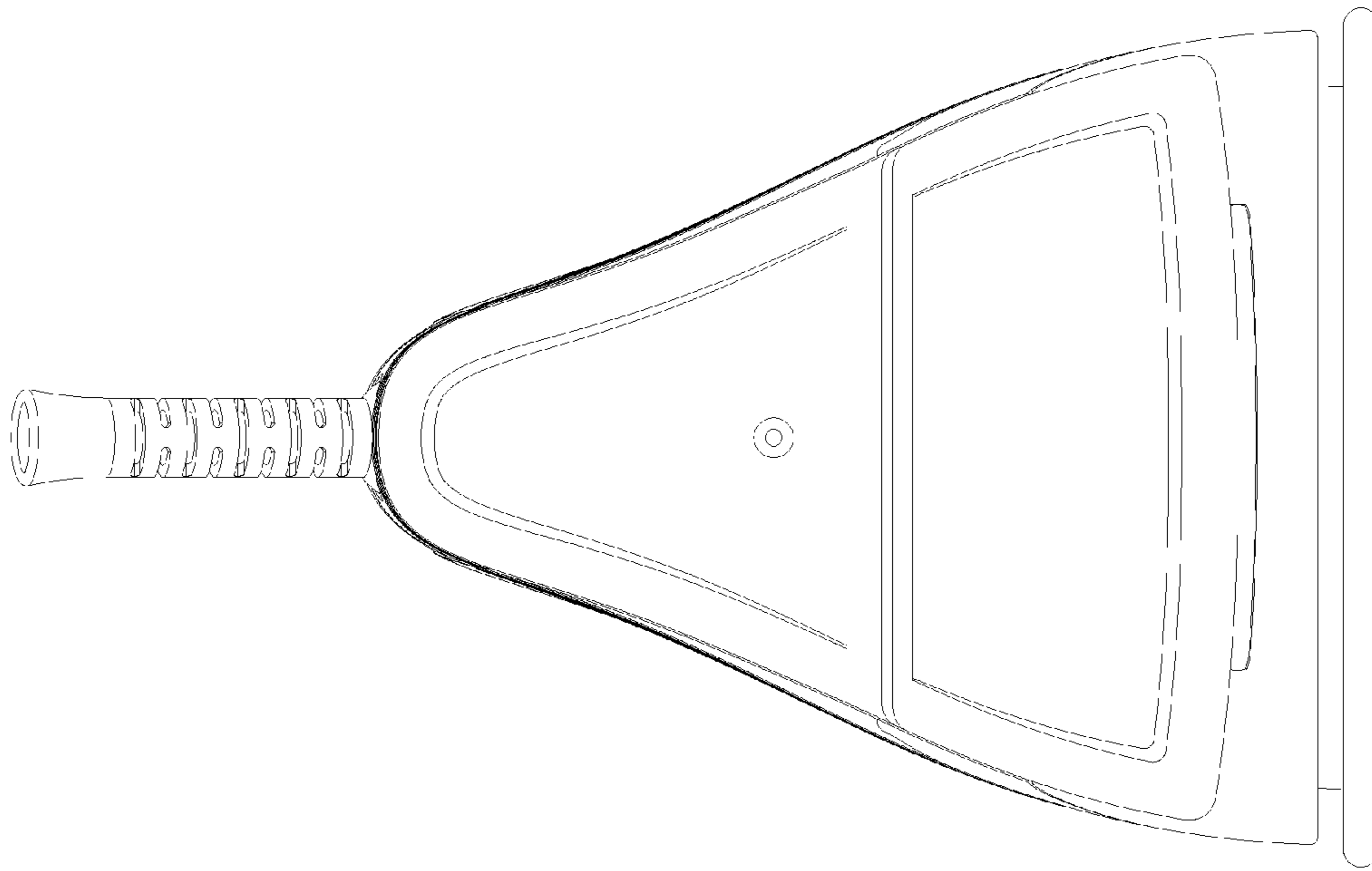


FIG. 2

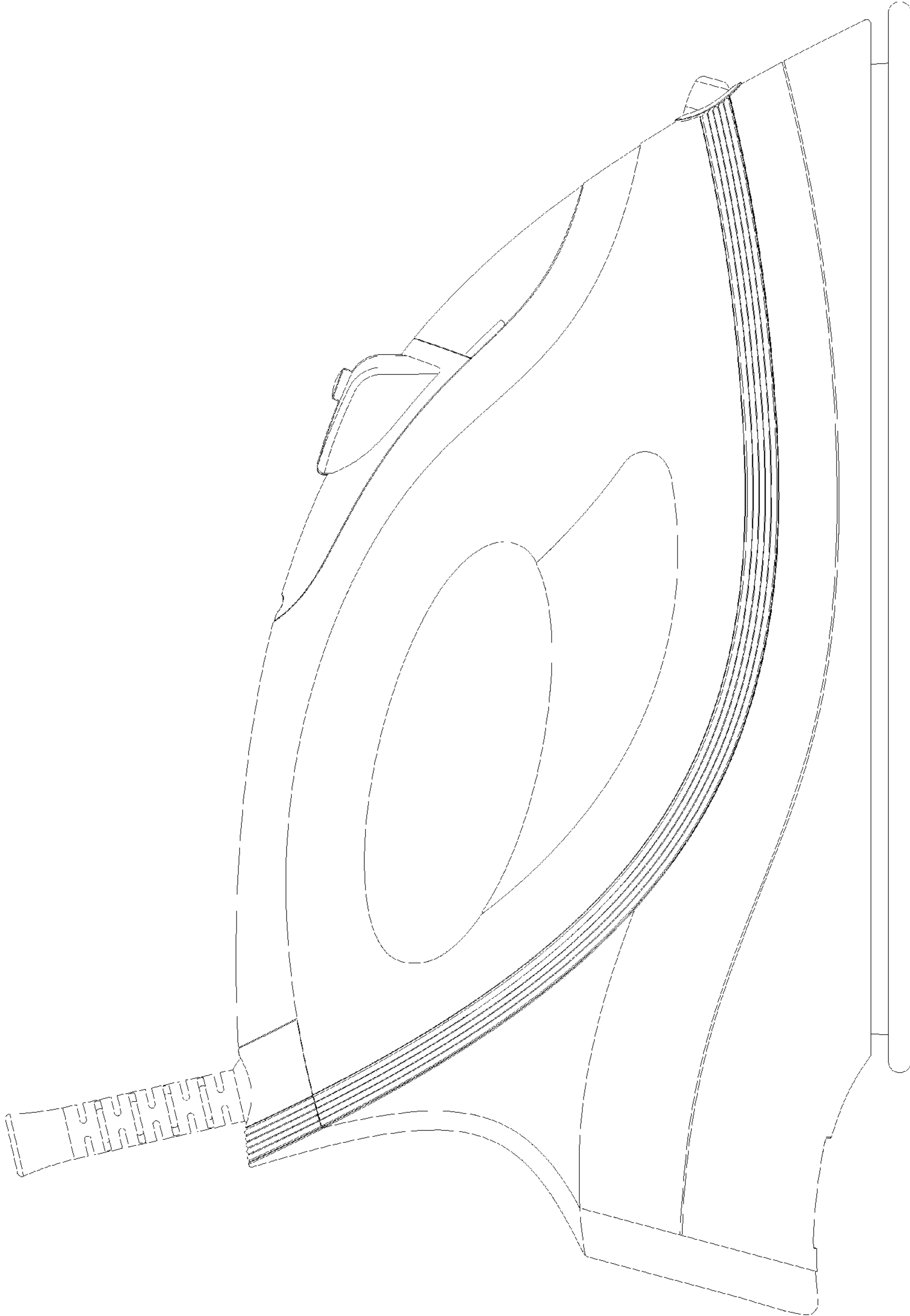


FIG. 3

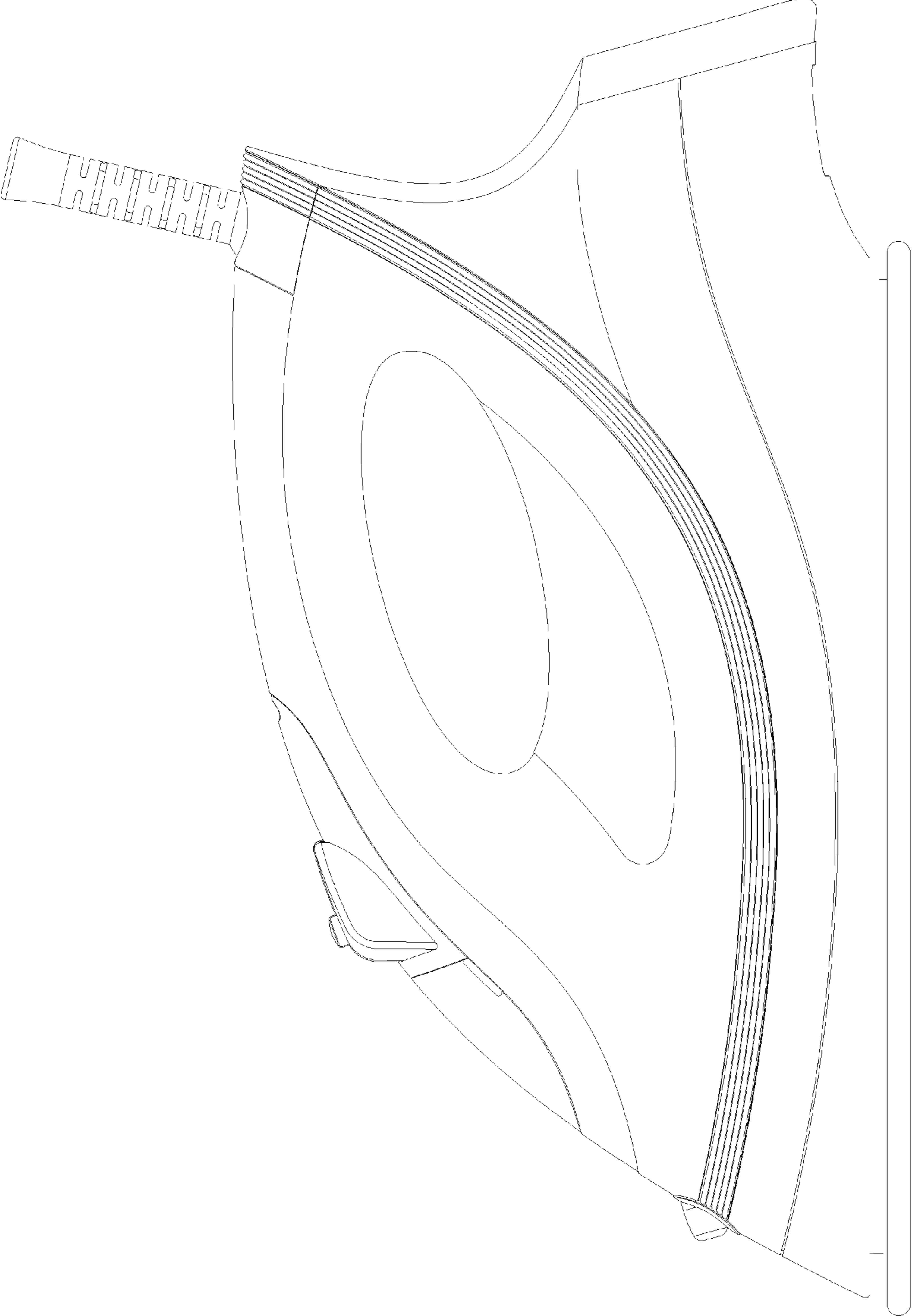


FIG. 4

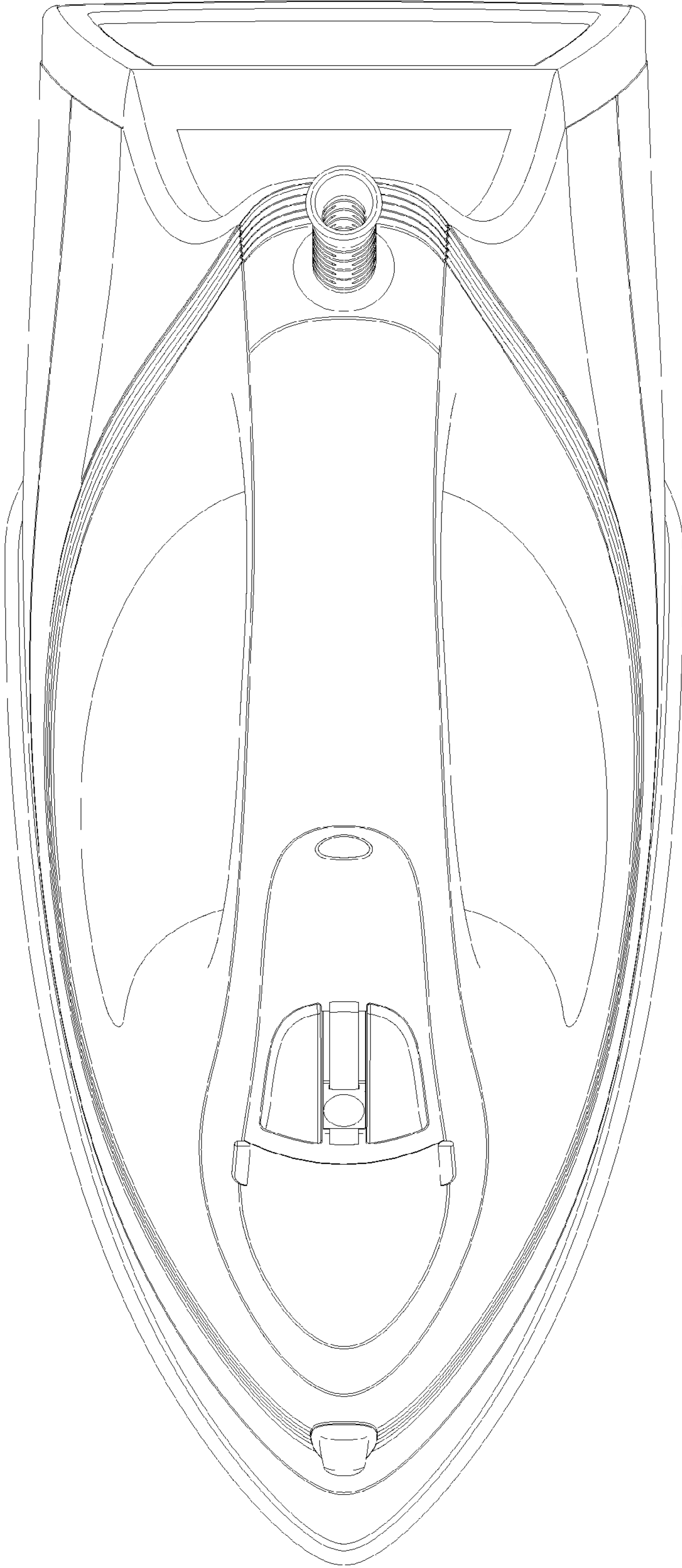


FIG. 5

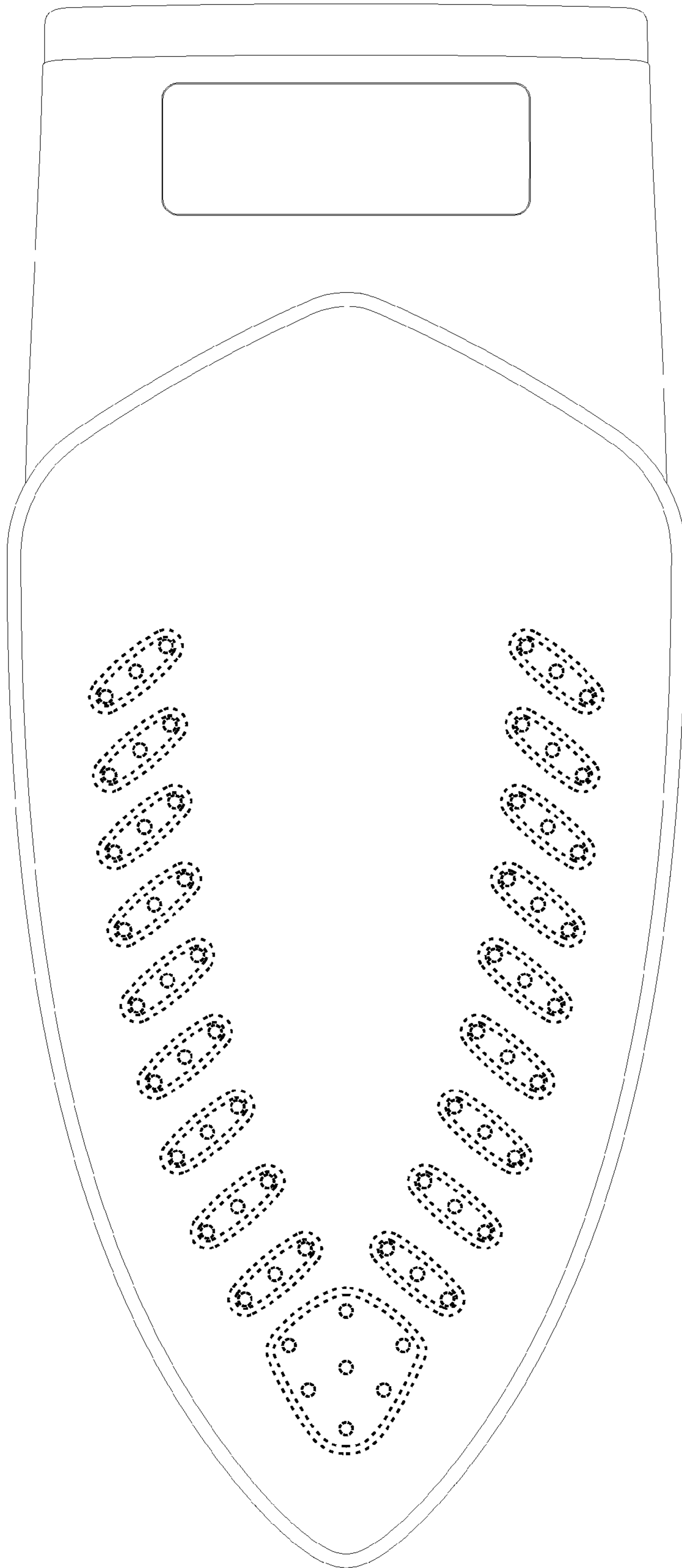


FIG. 6

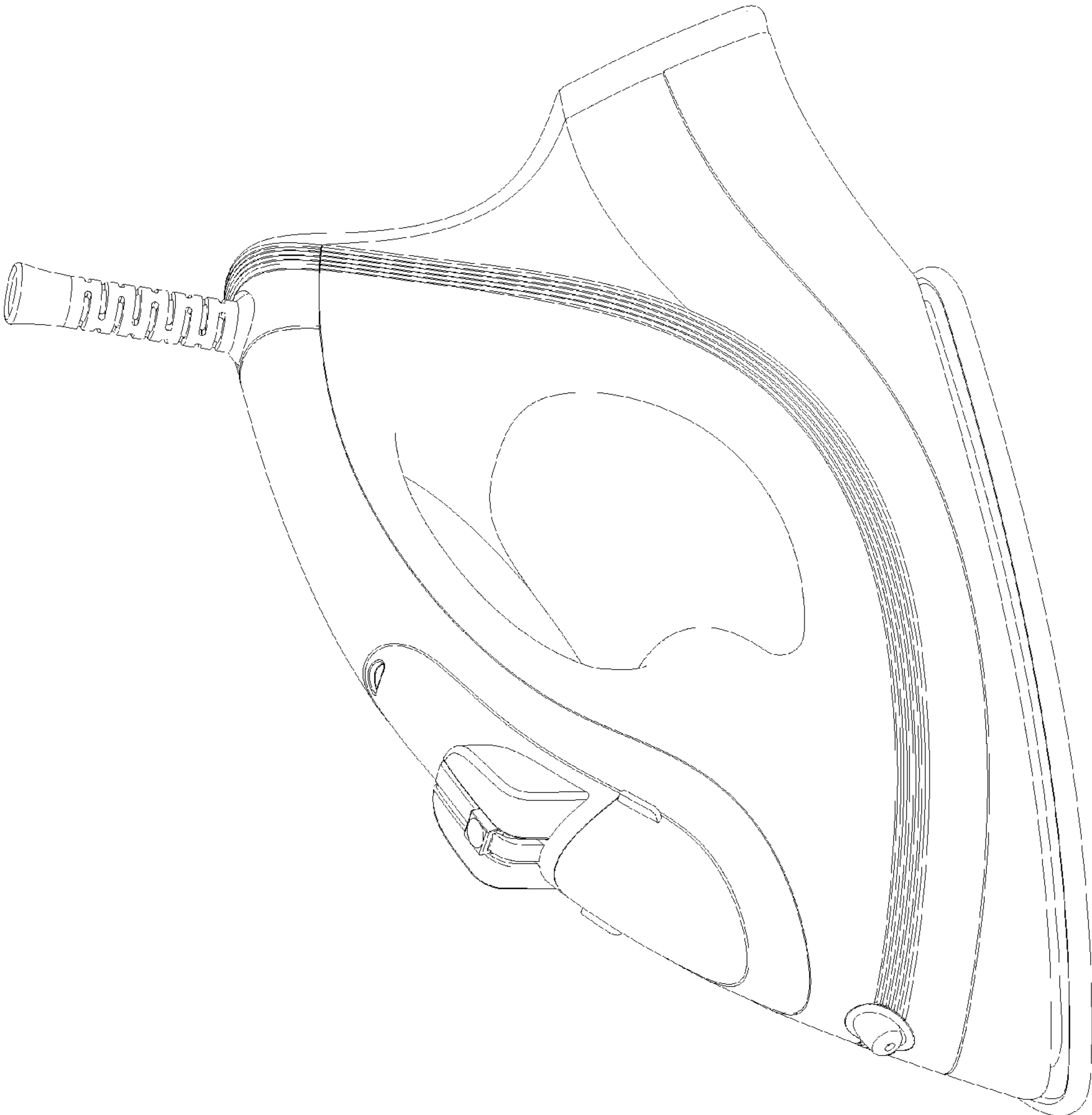


FIG. 7