



US00D638596S

(12) **United States Design Patent**
Vasilakes et al.

(10) **Patent No.:** **US D638,596 S**

(45) **Date of Patent:** **** May 24, 2011**

(54) **FLAT MOP**

(75) Inventors: **Lloyd S. Vasilakes**, Stillwater, MN (US);
Robert J. Maki, Hudson, WI (US);
Christian M. Eisenegger, Zurich (CH);
Marco Picco, Vimercate (IT);
Aleksandar Tatic, Milan (IT)

(73) Assignee: **3M Innovative Properties Company**,
St. Paul, MN (US)

(**) Term: **14 Years**

(21) Appl. No.: **29/365,028**

(22) Filed: **Jul. 1, 2010**

(51) **LOC (9) Cl.** **04-01**

(52) **U.S. Cl.** **D32/50**

(58) **Field of Classification Search** D32/50,
D32/51, 39-45; 15/116.1, 116.2, 119.2,
15/147.1, 147.2, 150, 208, 209.1, 210.1,
15/228; 401/137-140; D8/90; D4/114,
D4/199; 239/525

See application file for complete search history.

(56) **References Cited**

U.S. PATENT DOCUMENTS

4,885,876 A * 12/1989 Henke 15/228
D369,080 S * 4/1996 Tollis D8/90
D389,625 S * 1/1998 Feldman et al. D32/44
D423,157 S * 4/2000 Hodges D32/40

D455,878 S * 4/2002 Debreczeni D32/50
D497,721 S * 11/2004 Angeletta D4/114
6,889,917 B2 * 5/2005 Fahy et al. 239/525
D544,668 S * 6/2007 Harper et al. D32/51
D549,465 S * 8/2007 Hay et al. D4/199
D585,615 S * 1/2009 Senyuva D32/50
D609,920 S * 2/2010 Lee D32/51
D620,214 S * 7/2010 Clemen D32/50
2001/0046407 A1 * 11/2001 Kunkler et al. 401/140

* cited by examiner

Primary Examiner — David G Muller

(74) *Attorney, Agent, or Firm* — Trisha D. Adamson

(57) **CLAIM**

The ornamental design for a flat mop, as shown and described.

DESCRIPTION

FIG. 1 is a perspective view of a flat mop showing the new design;

FIG. 2 is a top view thereof;

FIG. 3 is a bottom view thereof;

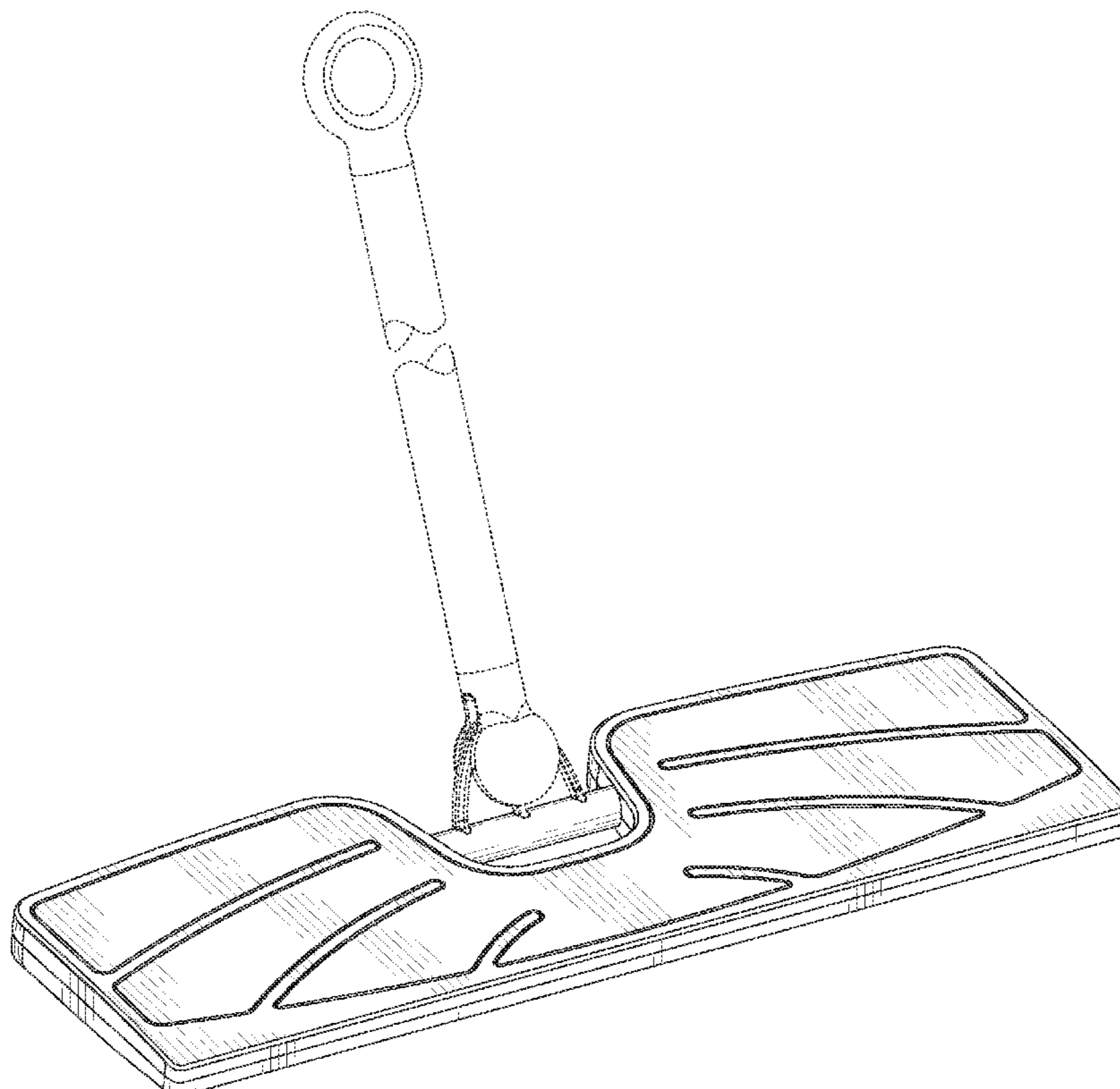
FIG. 4 is an end view thereof;

FIG. 5 is another end view thereof; and,

FIG. 6 is a side view thereof.

The broken line showing of a mop handle is included for the purpose of illustrating environmental structure and forms no part of the claimed design.

1 Claim, 4 Drawing Sheets



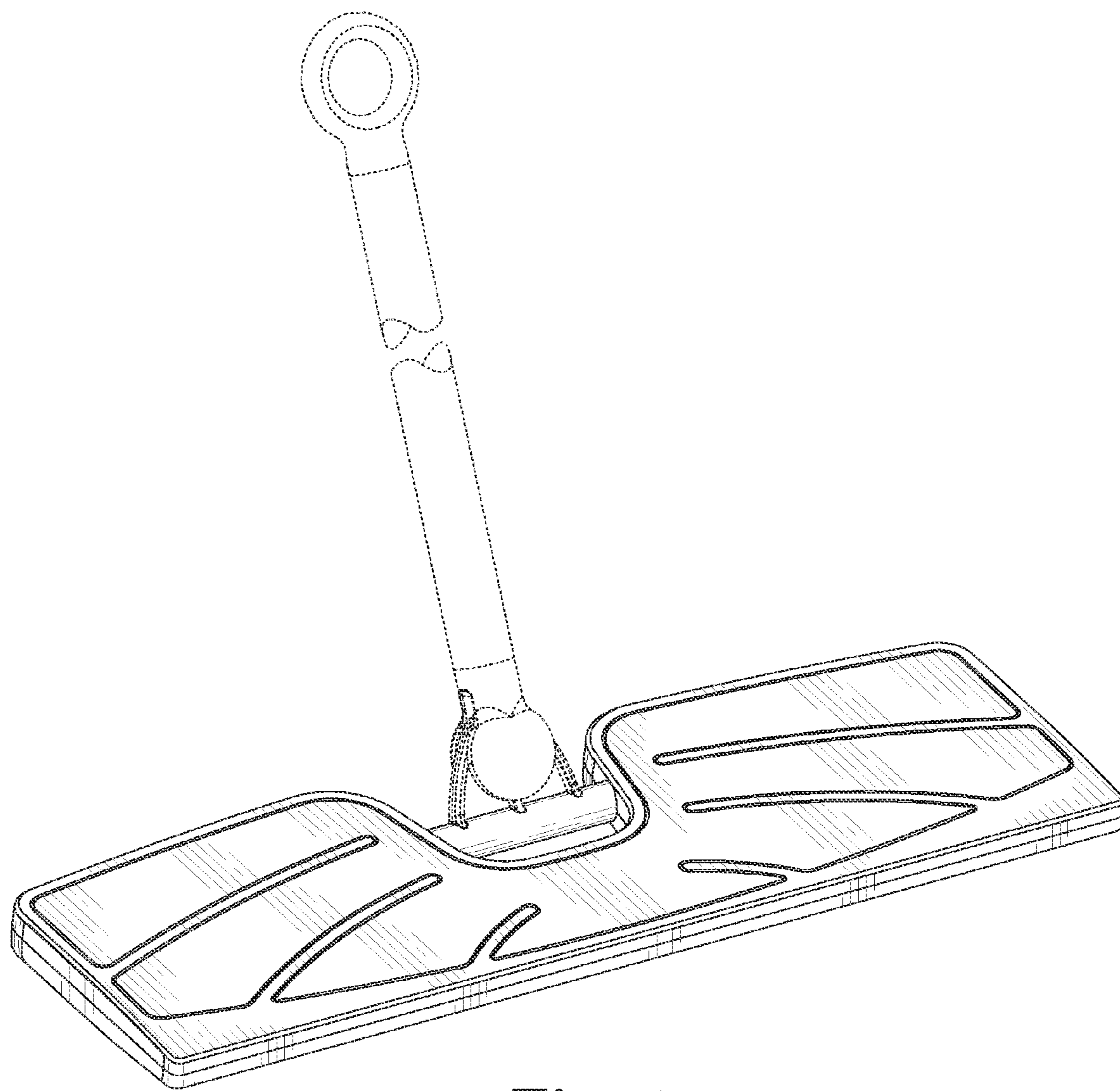


Fig. 1

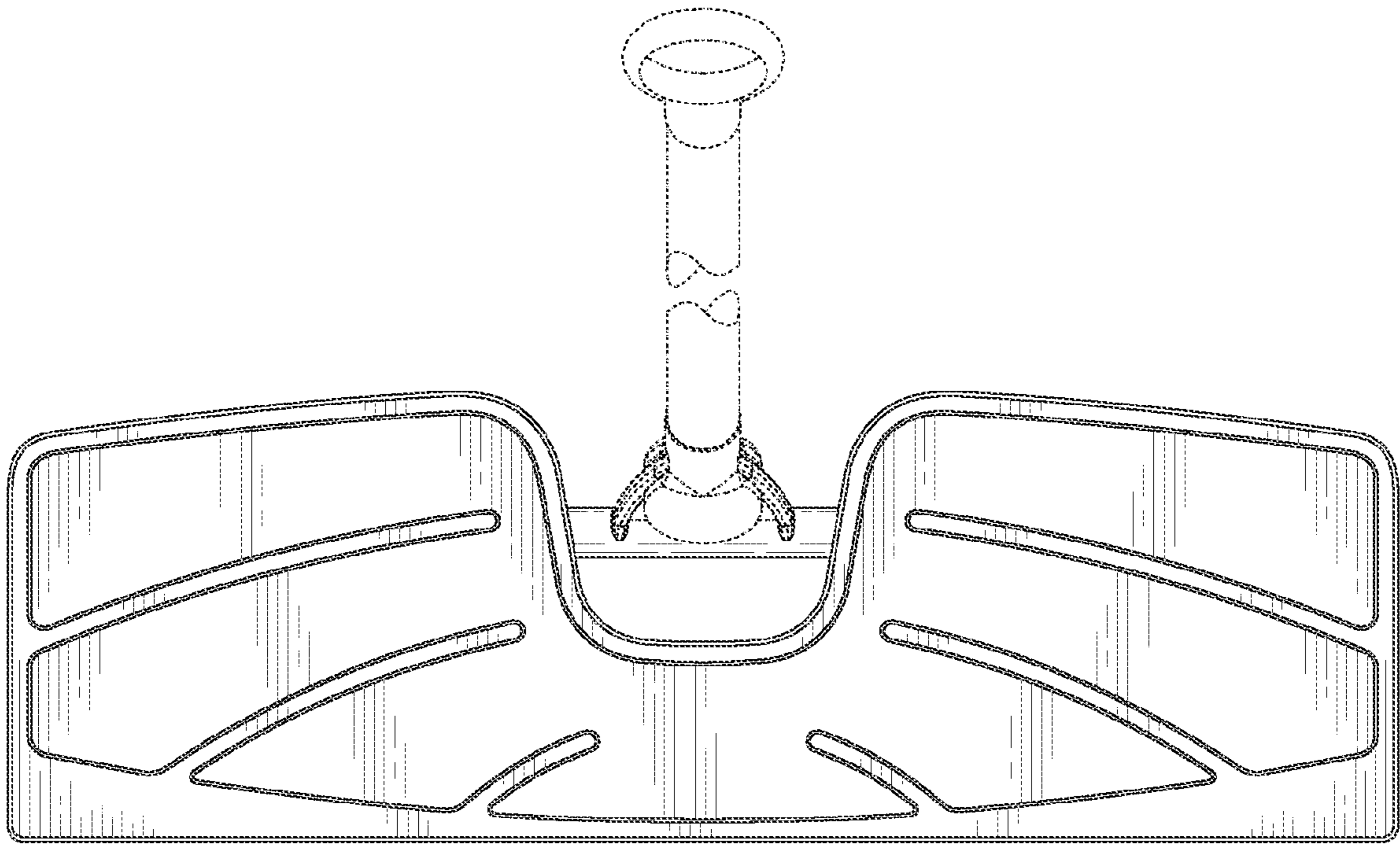


Fig. 2

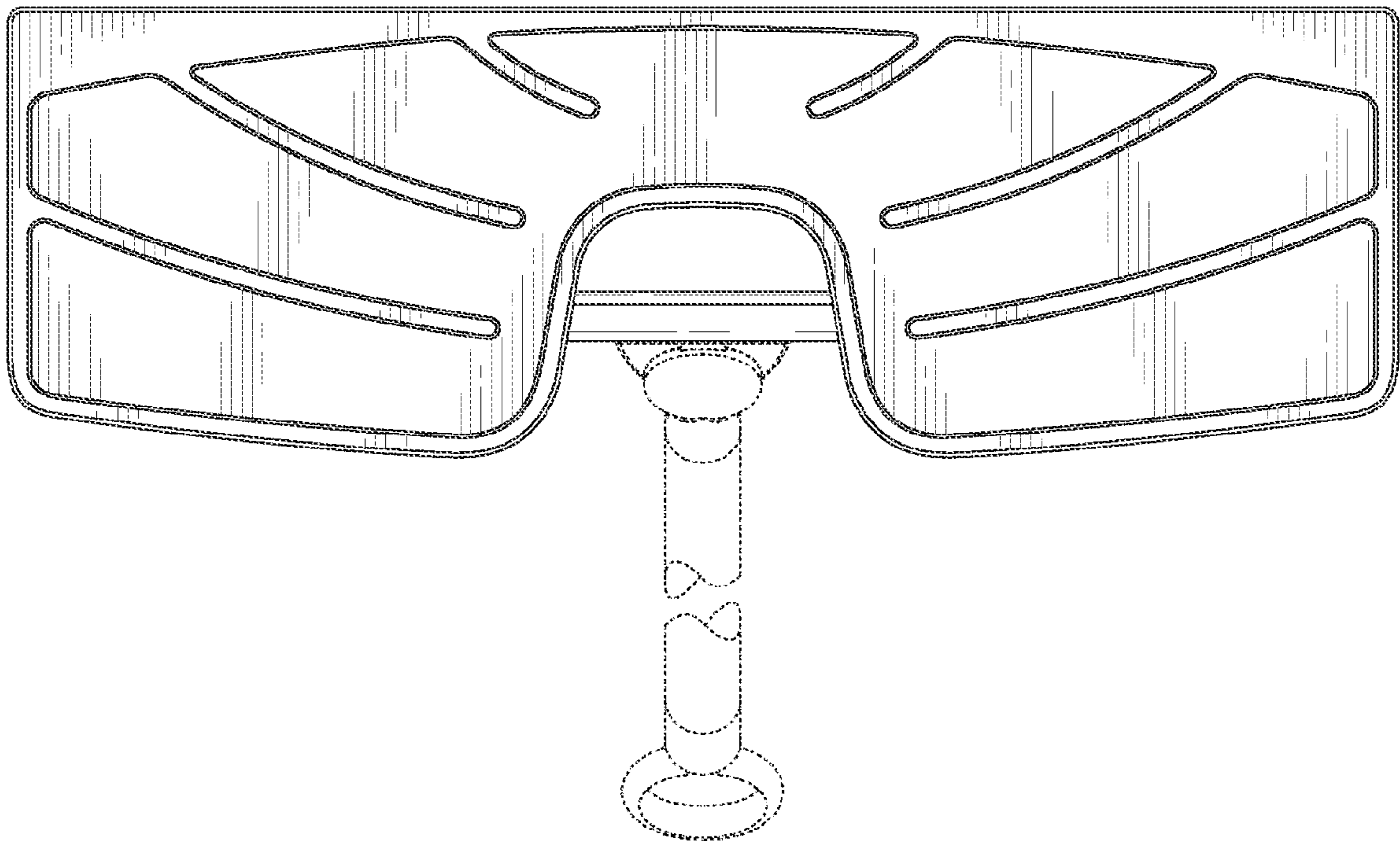


Fig. 3

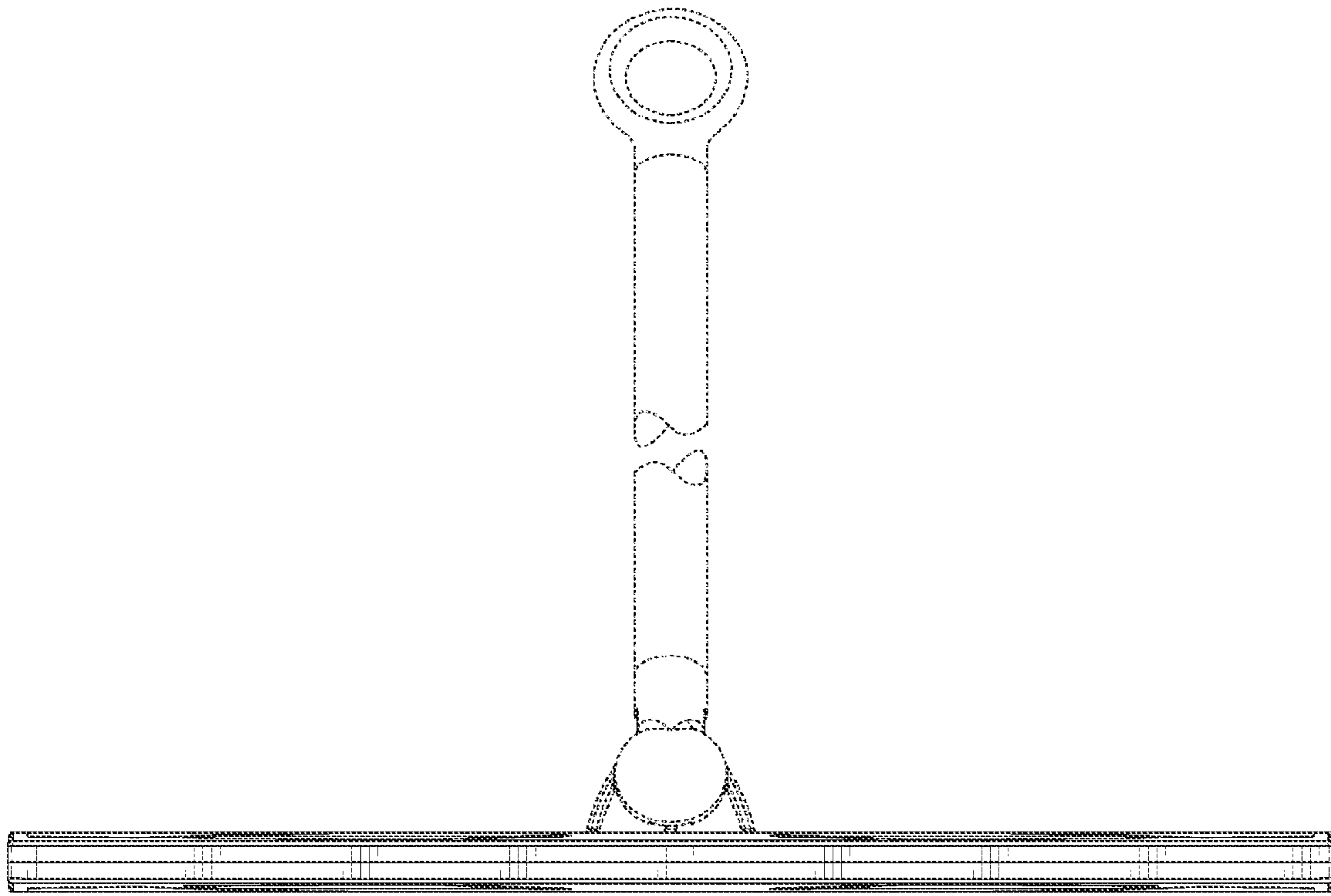


Fig. 4

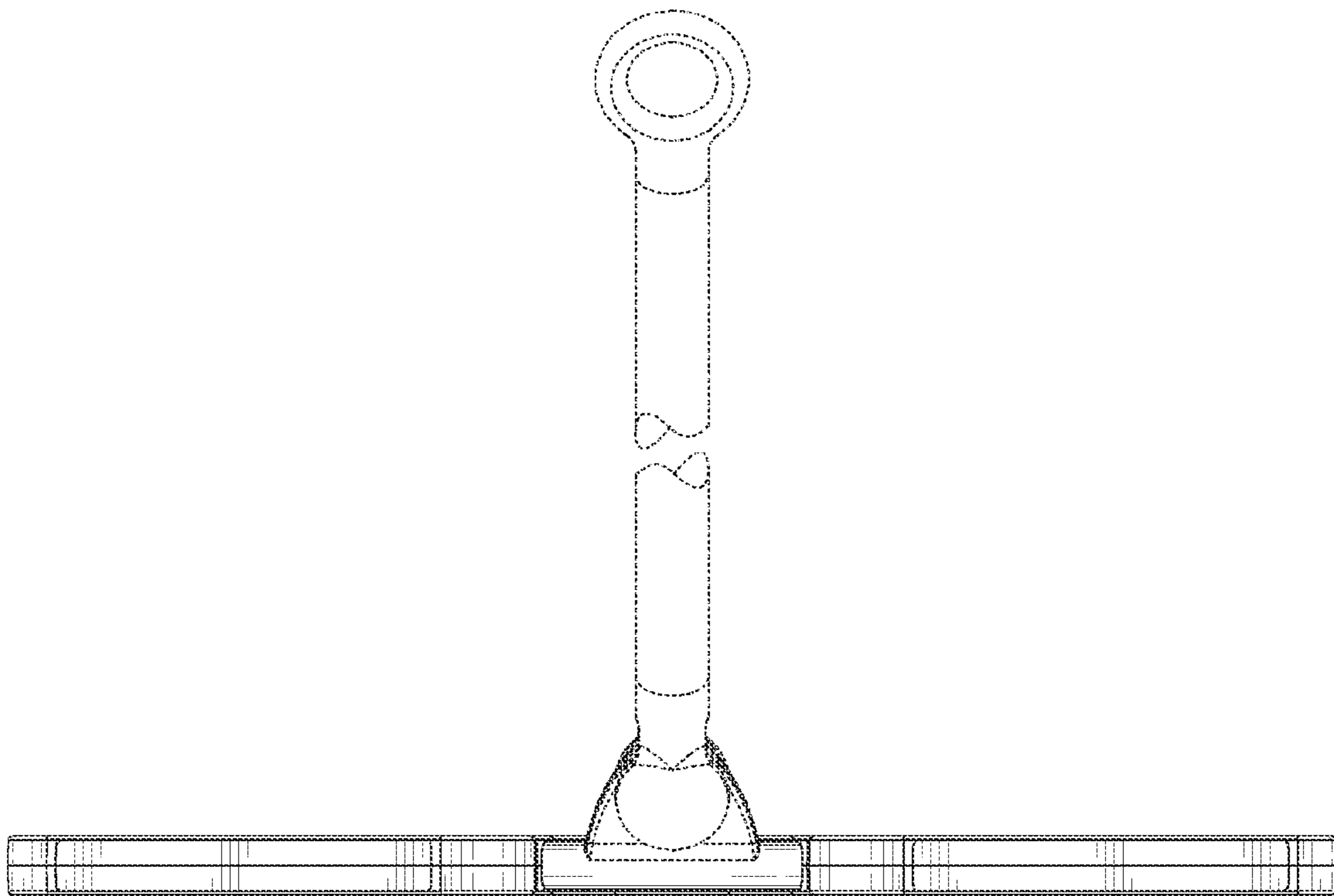


Fig. 5

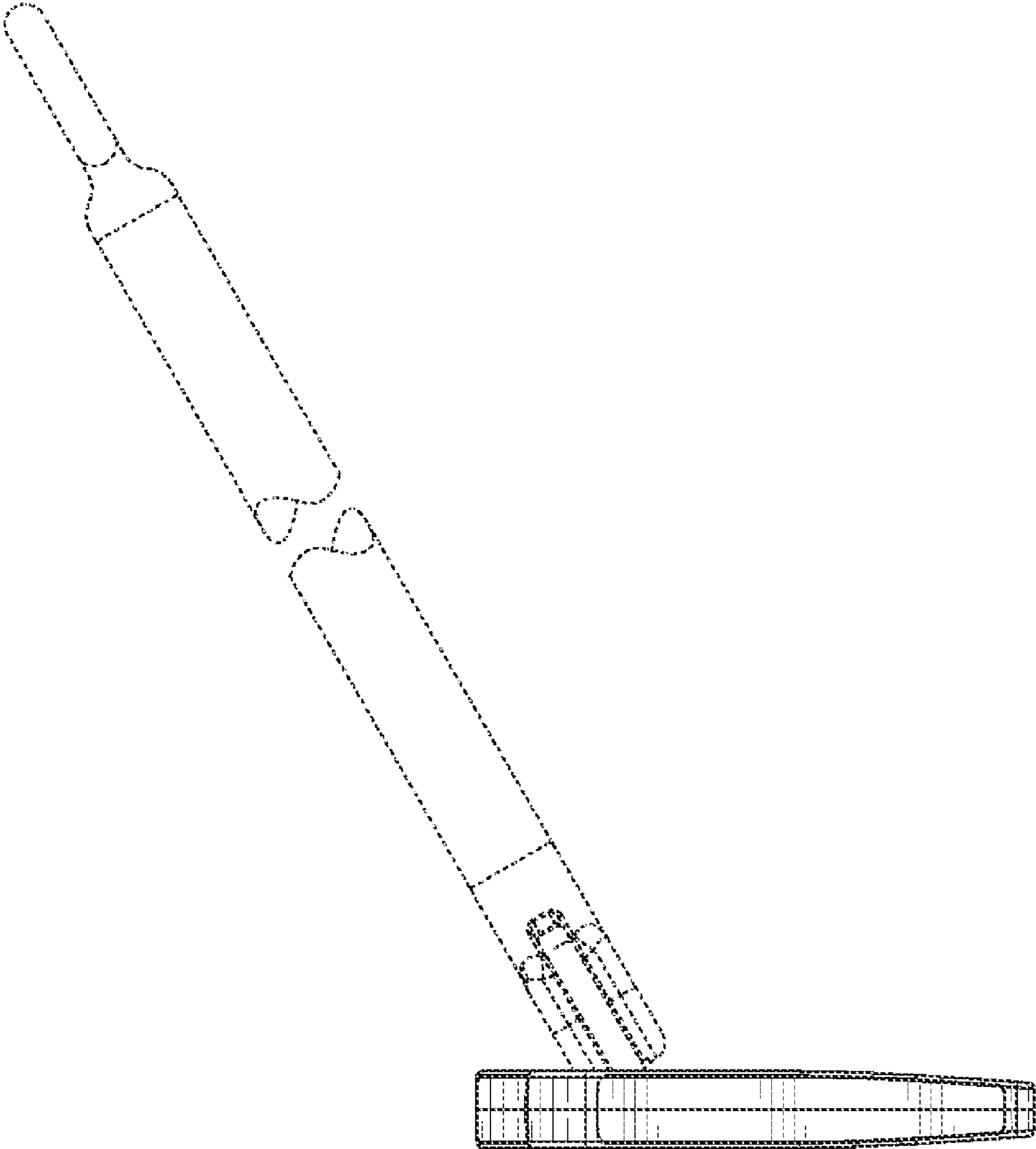


Fig. 6