



US00D638591S

(12) **United States Design Patent**  
**Spurgeon**

(10) **Patent No.:** **US D638,591 S**

(45) **Date of Patent:** **\*\* May 24, 2011**

(54) **BONE SHAPE ABSORBENT PAD**

(76) Inventor: **Donna Spurgeon**, Ojai, CA (US)

(\*\*) Term: **14 Years**

(21) Appl. No.: **29/349,347**

(22) Filed: **Mar. 24, 2010**

(51) **LOC (9) Cl.** ..... **30-99**

(52) **U.S. Cl.** ..... **D30/161**

(58) **Field of Classification Search** ..... D30/158,  
D30/161; D11/81-83, 126, 133-134, 136,  
D11/157-158, 160, 125, 127; D6/612-615,  
D6/617, 597-598, 609, 608; D29/119; D19/6-7,  
D19/9, 4; 119/161, 163-170

See application file for complete search history.

(56) **References Cited**

**U.S. PATENT DOCUMENTS**

D277,918 S *	3/1985	Berns et al. ....	D30/158
D300,068 S *	2/1989	Pritikin et al. ....	D30/129
D316,464 S *	4/1991	Kelley ..... ..	D30/118
5,178,426 A *	1/1993	David et al. ....	119/161
5,474,033 A *	12/1995	Mitchell, Jr. ....	119/860
D417,998 S *	12/1999	Kology et al. ....	D6/608
D422,761 S *	4/2000	Zalevsky ..... ..	D30/160
D442,714 S *	5/2001	Warden ..... ..	D26/38

D468,574 S *	1/2003	Moore ..... ..	D6/613
D479,564 S *	9/2003	Carr ..... ..	D21/376
D487,823 S *	3/2004	Wang ..... ..	D30/118
D523,591 S *	6/2006	Kreamer ..... ..	D30/160
D553,675 S *	10/2007	Hogg ..... ..	D19/9
D571,060 S *	6/2008	Addeo ..... ..	D30/158
D612,555 S *	3/2010	Kim ..... ..	D30/161
D616,021 S *	5/2010	Halbur ..... ..	D19/9
2008/0236504 A1 *	10/2008	Silverman ..... ..	119/169

\* cited by examiner

*Primary Examiner* — Cathy A MacCormac

(74) *Attorney, Agent, or Firm* — Henry Bissell, IV

(57) **CLAIM**

The ornamental design for a bone shape absorbent pad, as shown as described.

**DESCRIPTION**

FIG. 1 is a perspective view of a bone shape absorbent pad in accordance with my new design;

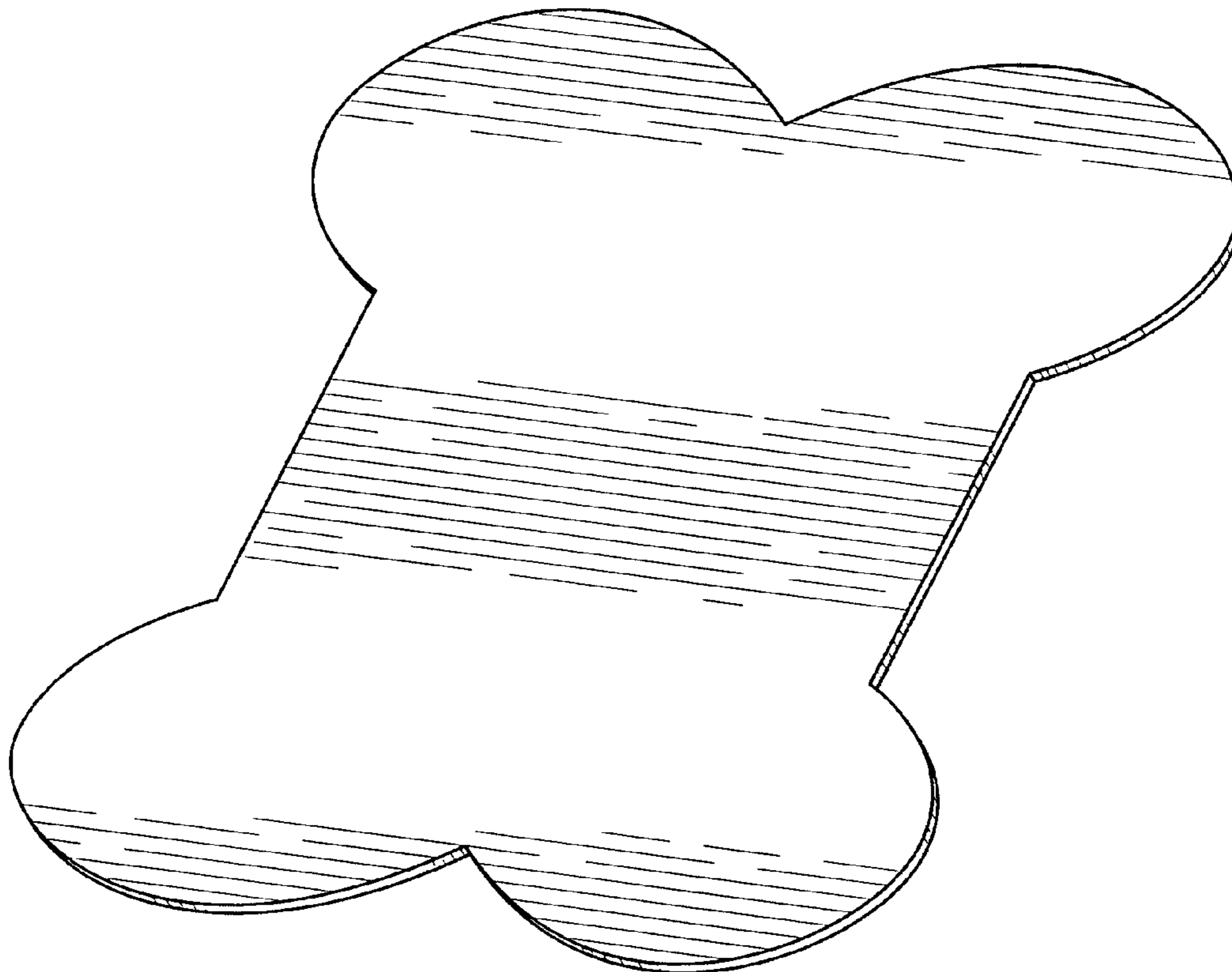
FIG. 2 is a top plan view thereof;

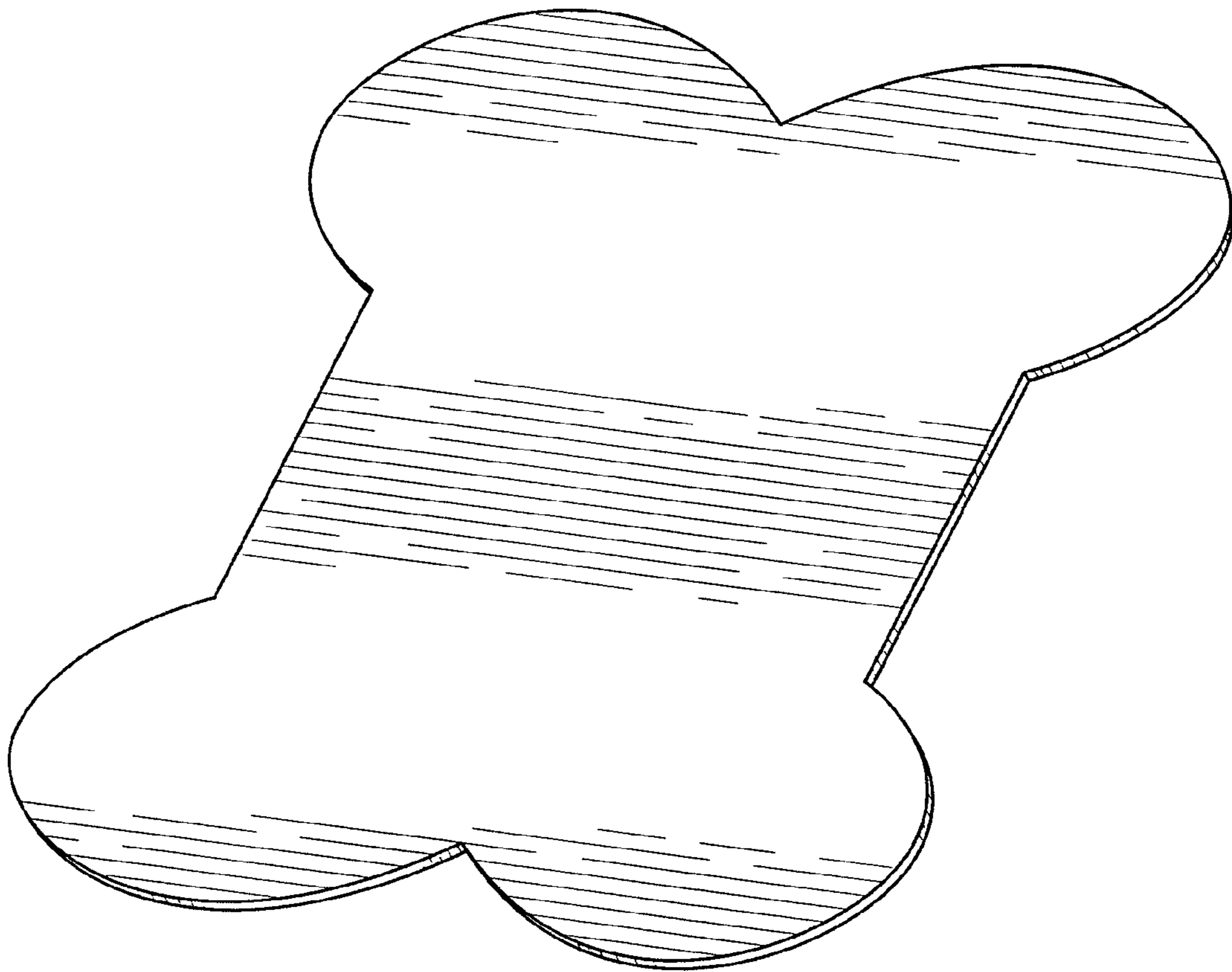
FIG. 3 is a bottom plan view thereof;

FIG. 4 is a front elevational view thereof, the rear being a mirror image; and,

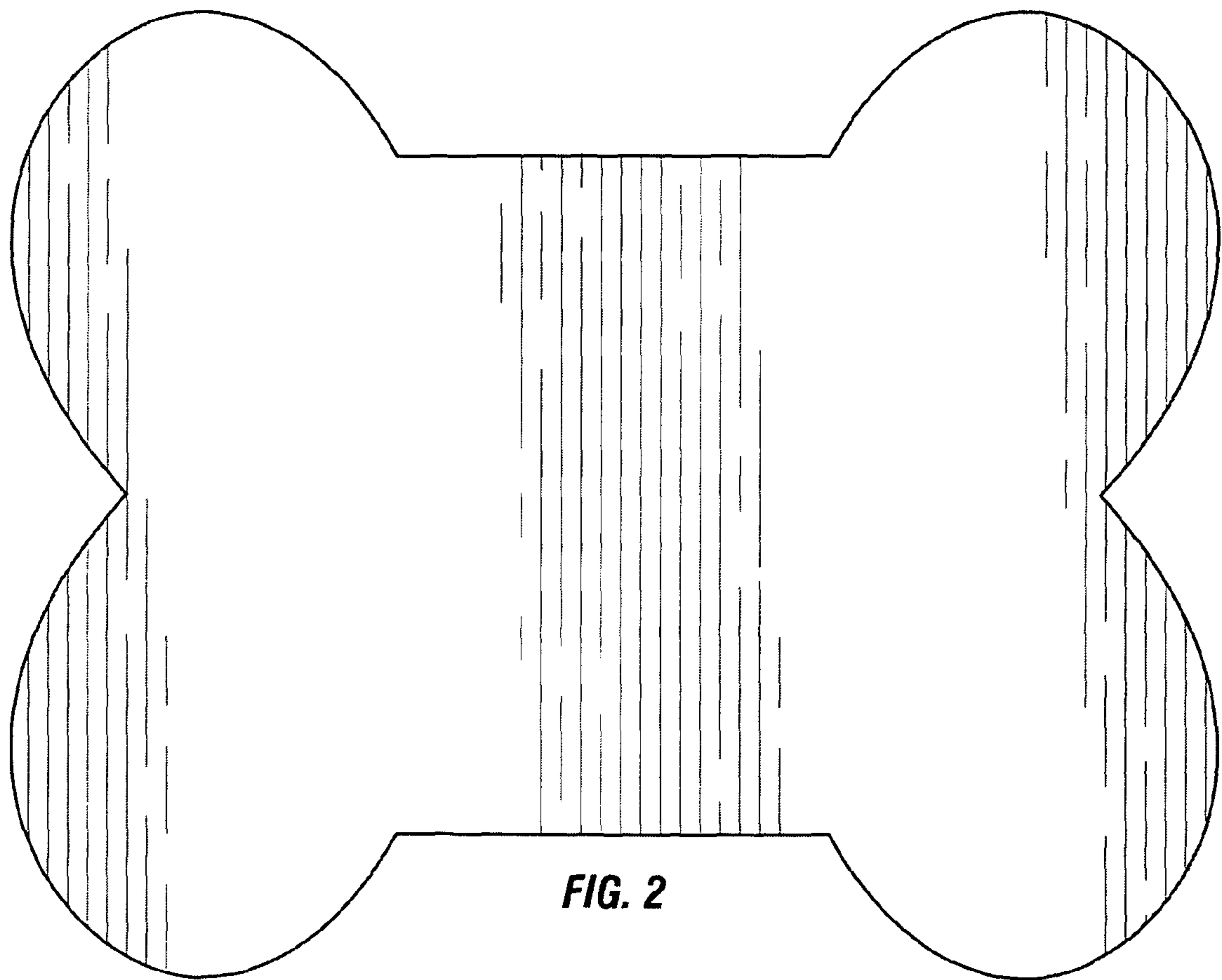
FIG. 5 is a left side elevational view thereof, the right side being a mirror image.

**1 Claim, 3 Drawing Sheets**

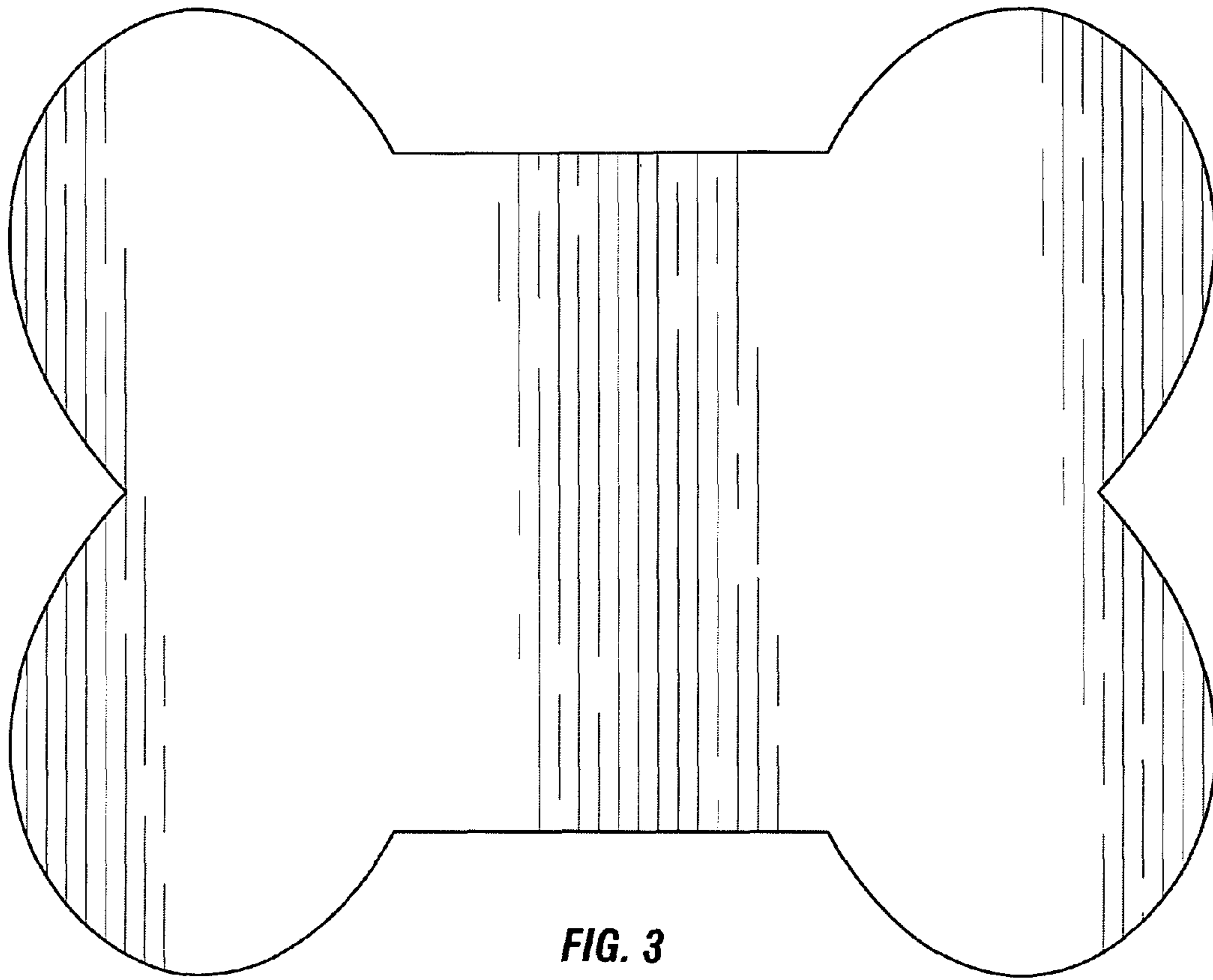




**FIG. 1**



**FIG. 2**



**FIG. 3**



**FIG. 4**



**FIG. 5**