



US00D638587S

(12) **United States Design Patent**  
**Petek**

(10) **Patent No.:** **US D638,587 S**

(45) **Date of Patent:** **\*\* May 24, 2011**

(54) **STACKABLE EXTENSION**

(76) Inventor: **Richard C. Petek**, Medina, OH (US)

(\*\*) Term: **14 Years**

(21) Appl. No.: **29/377,982**

(22) Filed: **Oct. 28, 2010**

(51) **LOC (9) Cl.** ..... **29-02**

(52) **U.S. Cl.** ..... **D29/124**

(58) **Field of Classification Search** ..... D29/124,  
D29/125, 126, 127, 128, 129, 130; D2/264,  
D2/265, 276, 277, 914; D7/709; D9/500-504,  
D9/516, 517; D21/766-770, 771-774; 220/4.02,  
220/4.26, 23.6; 36/110, 113-122, 132  
See application file for complete search history.

(56) **References Cited**

U.S. PATENT DOCUMENTS

4,978,023	A *	12/1990	Behlmann et al.	.....	220/23.6
D340,123	S *	10/1993	Howey, Jr.	.....	D2/914
5,259,523	A *	11/1993	Scherb	.....	220/4.26
5,706,965	A *	1/1998	Honma et al.	.....	220/4.02
D410,984	S *	6/1999	Lee	.....	D21/771

D529,566	S *	10/2006	Stryjak et al.	.....	D21/771
D582,280	S *	12/2008	Liden et al.	.....	D9/517
D583,200	S *	12/2008	Moran	.....	D7/709

\* cited by examiner

*Primary Examiner* — Susan Bennett Hattan

*Assistant Examiner* — Barbara B Lohr

(74) *Attorney, Agent, or Firm* — Renner, Otto, Boisselle & Sklar, LLP

(57) **CLAIM**

The ornamental design for a stackable extension, as shown and described.

**DESCRIPTION**

FIG. 1 is a right rear perspective view of a stackable extension showing my design.

FIG. 2 is a left front perspective view thereof.

FIG. 3 is a front view thereof.

FIG. 4 is a rear view thereof.

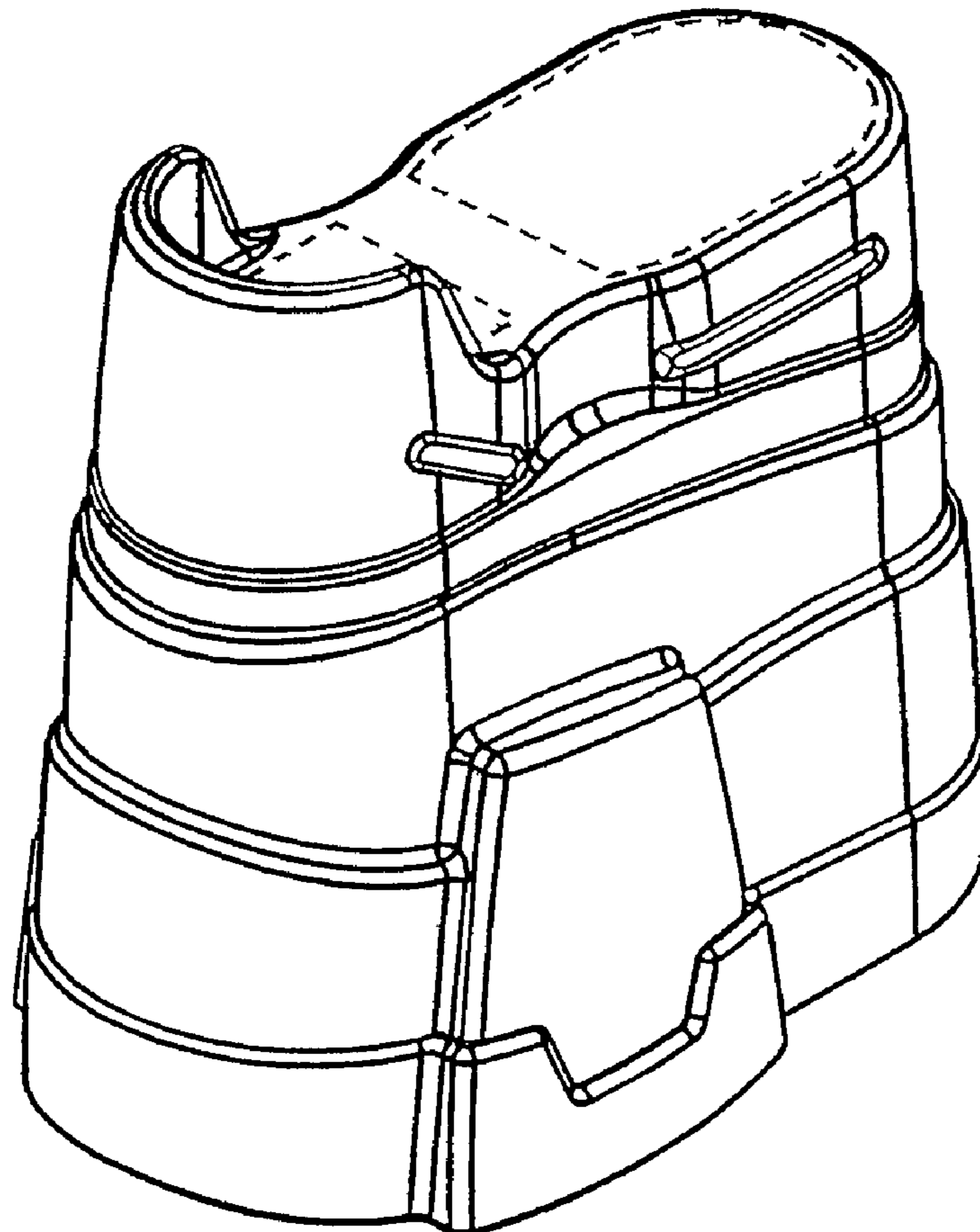
FIG. 5 is a right side view thereof, the left side view being a mirror image thereof.

FIG. 6 is a top view thereof; and,

FIG. 7 is a bottom view thereof.

The broken lines shown herein are for illustrative purposes only and form no part of the claimed design.

**1 Claim, 3 Drawing Sheets**



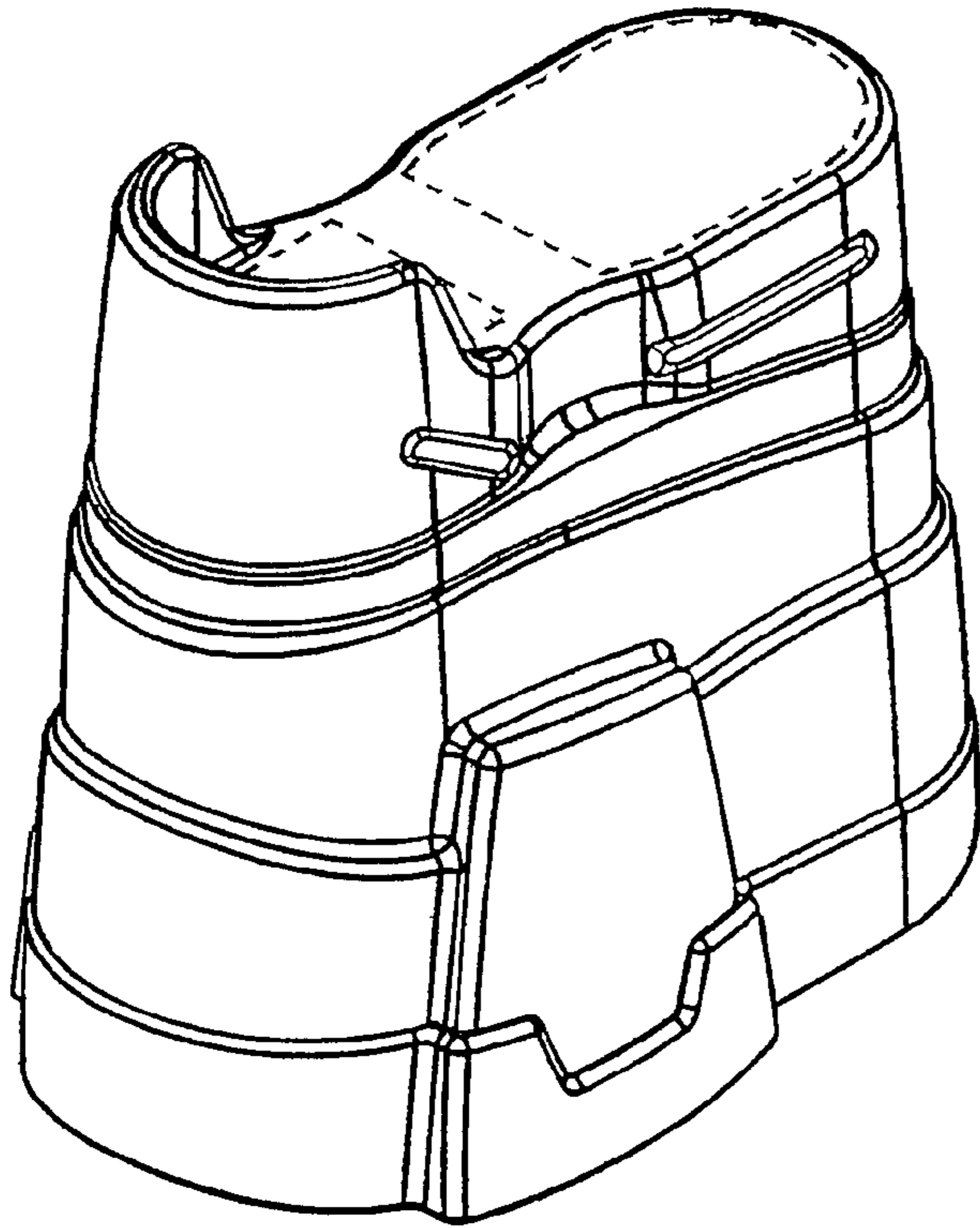


FIG. 1

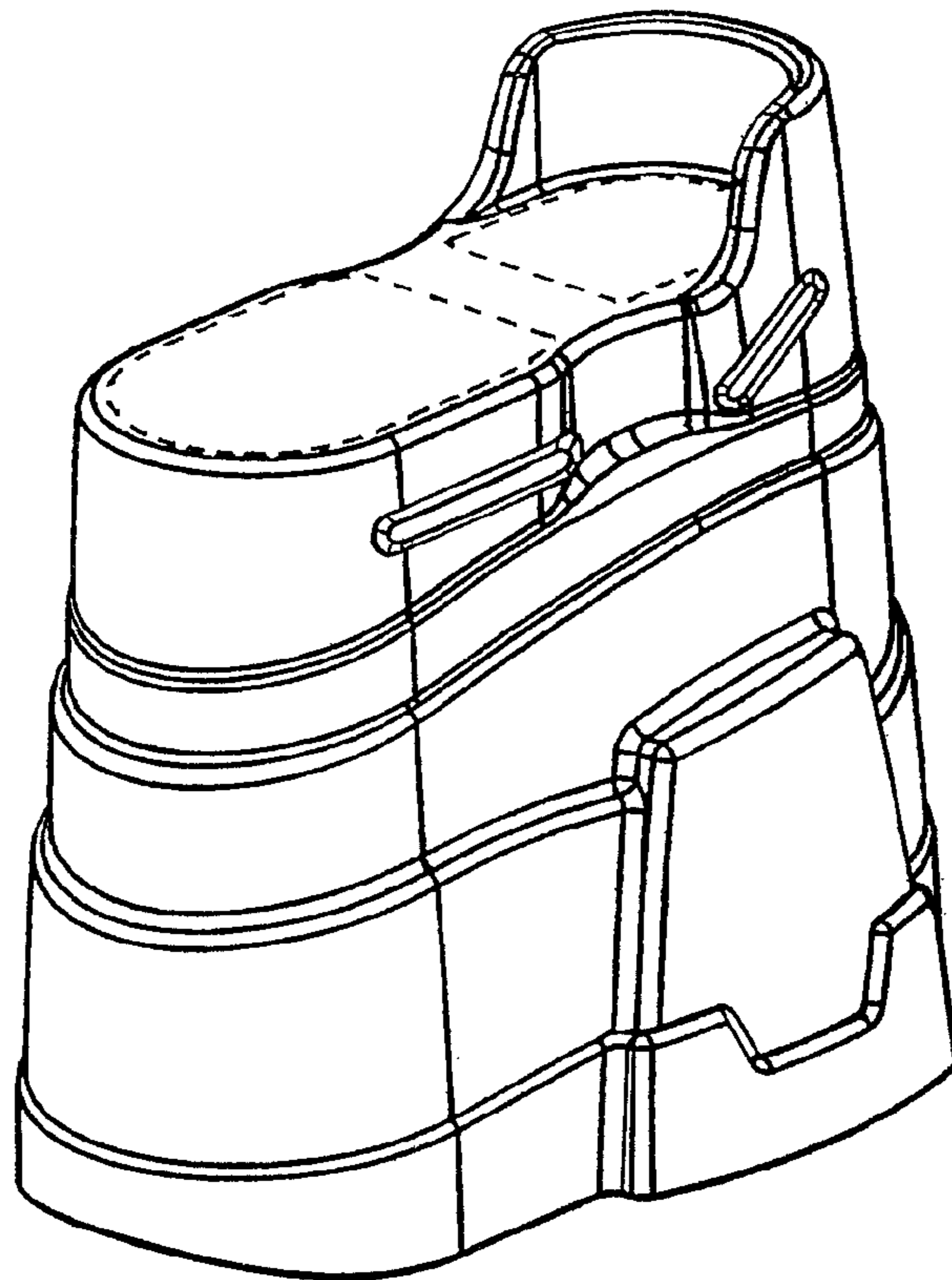


FIG. 2

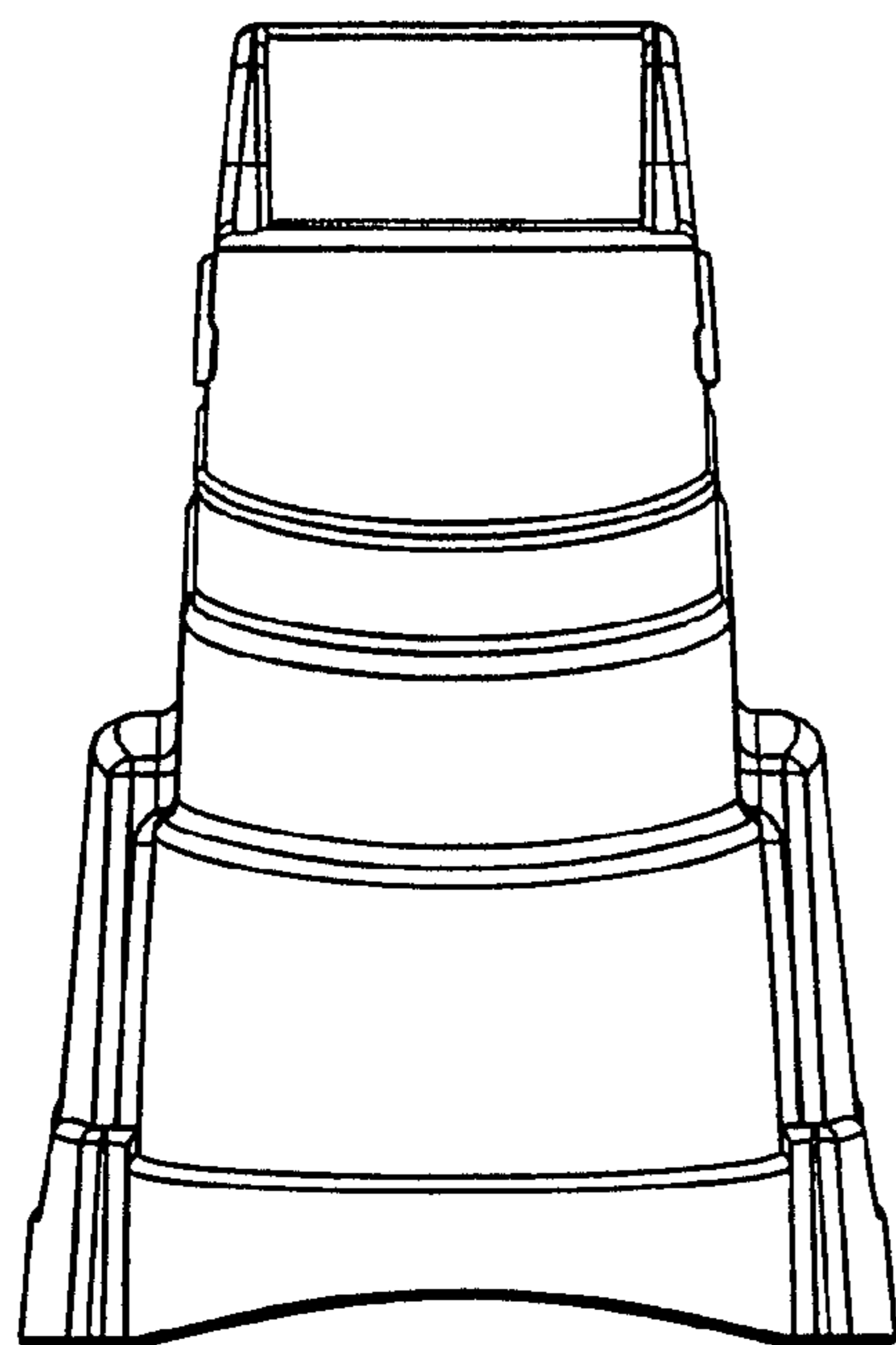


FIG. 3

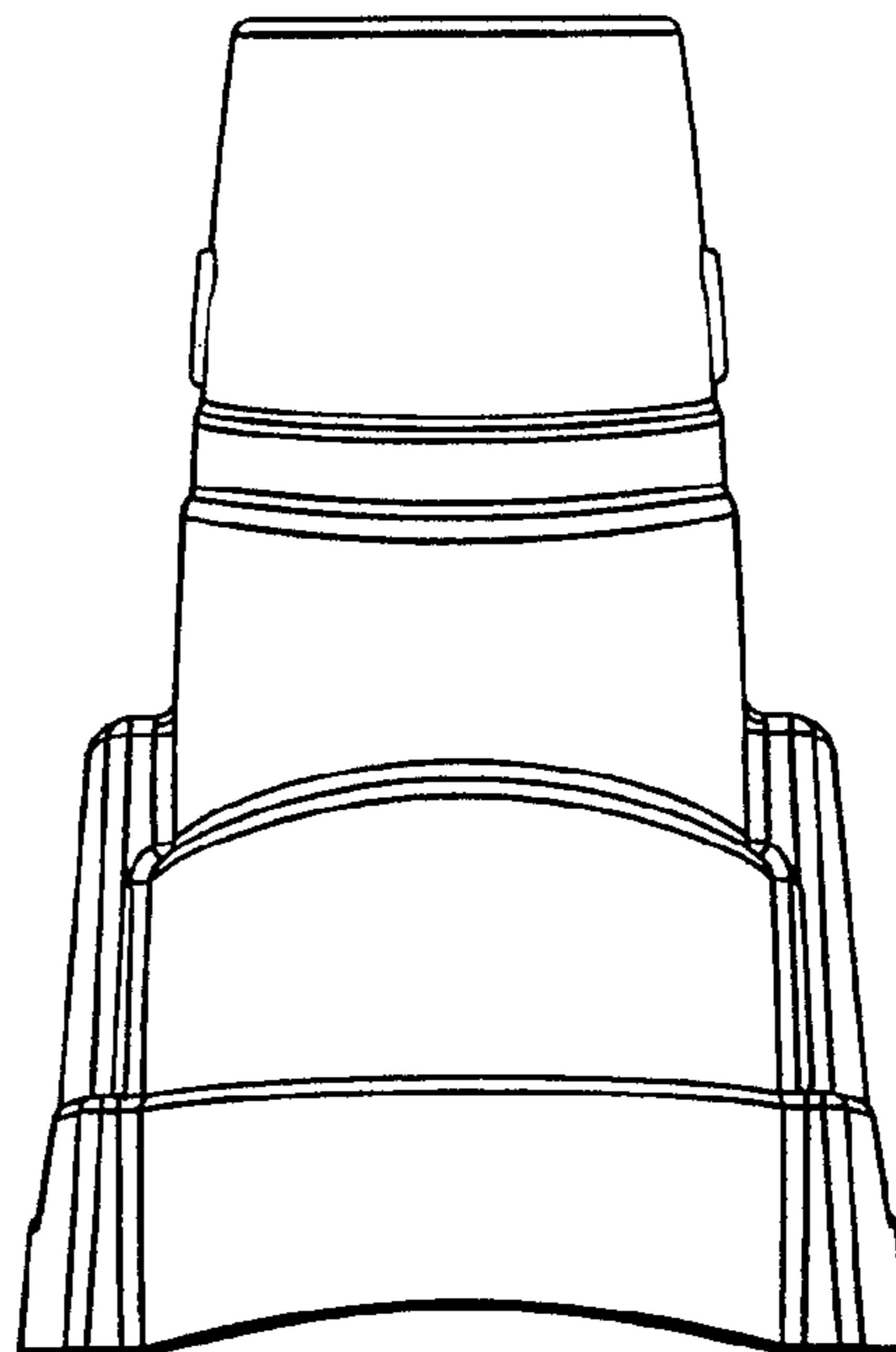


FIG. 4

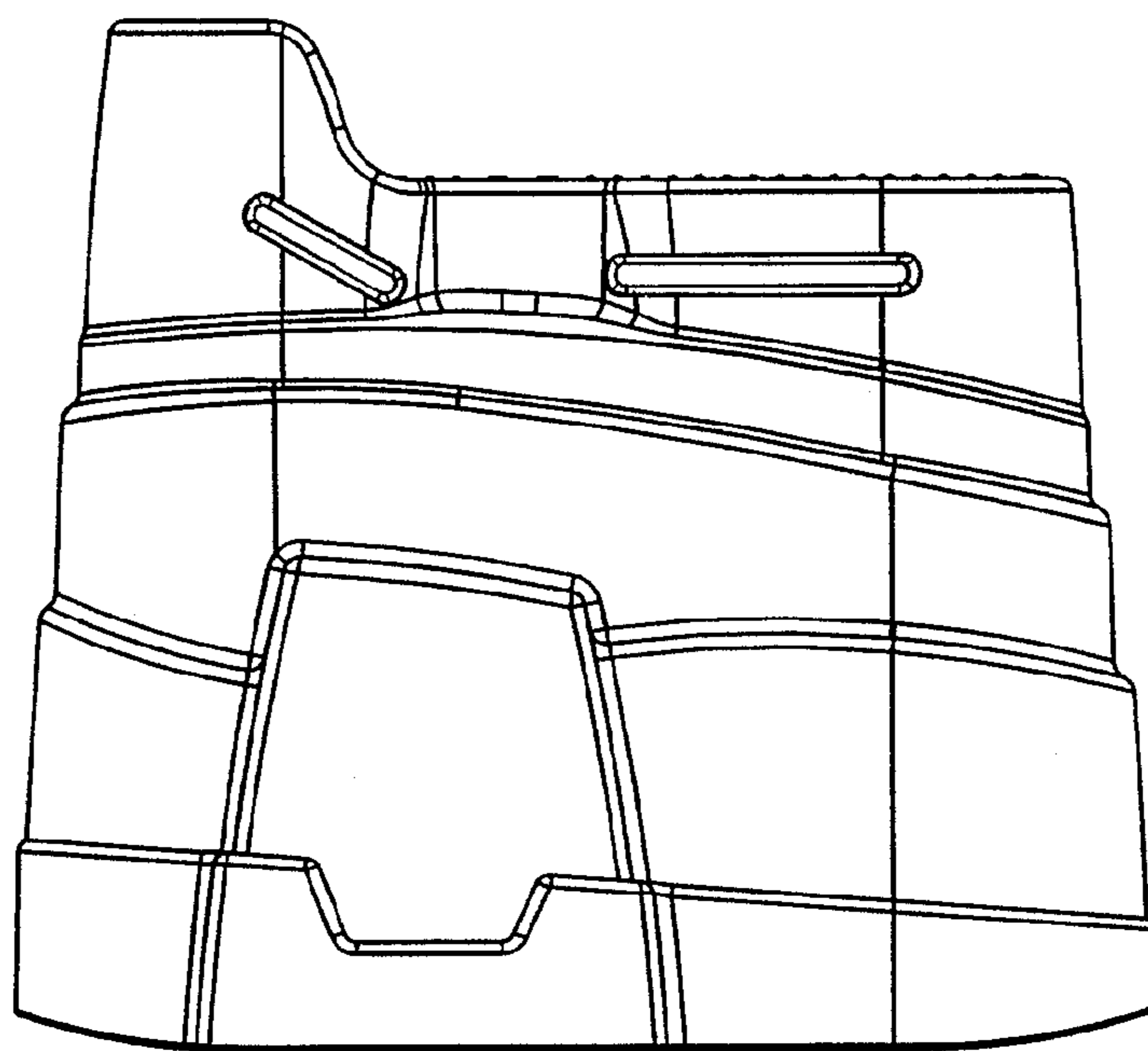


FIG. 5

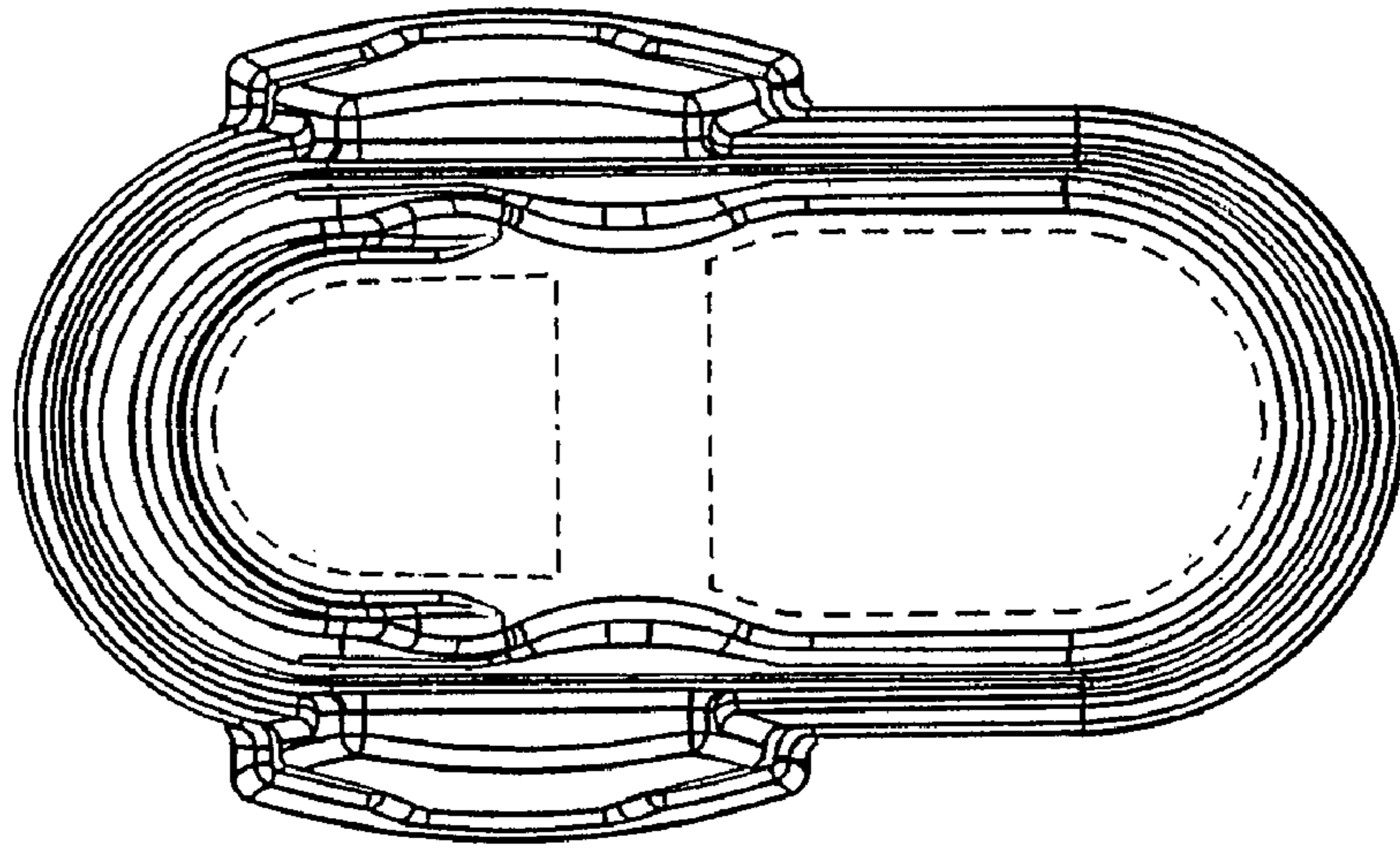


FIG. 6

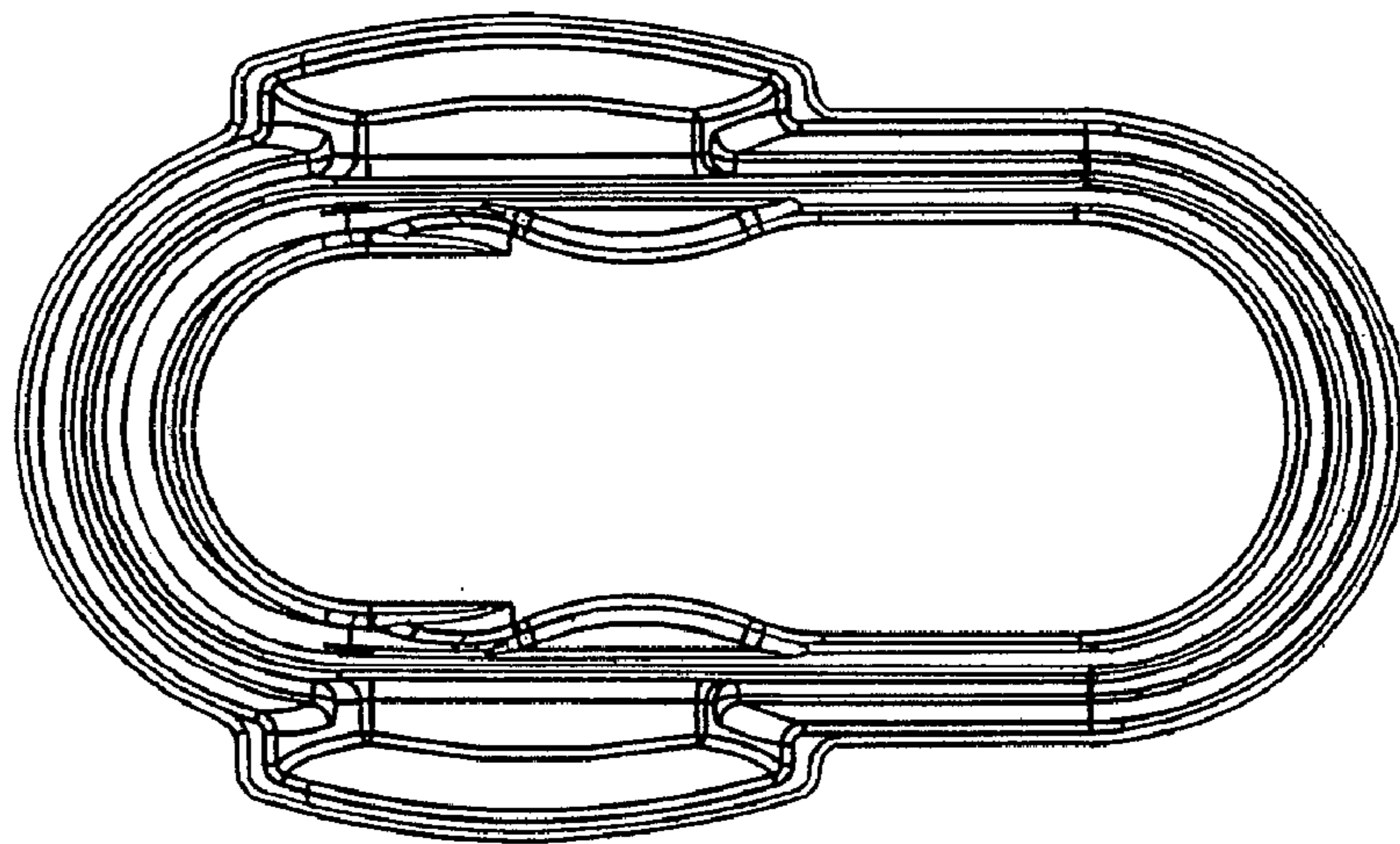


FIG. 7