



US00D638578S

(12) **United States Design Patent**
Mühlhausen et al.

(10) **Patent No.:** **US D638,578 S**

(45) **Date of Patent:** **** May 24, 2011**

(54) **HAIR COSMETIC CUP**

(75) Inventors: **Hans-Georg Mühlhausen**, Düsseldorf (DE); **Matthias Reimann**, Düsseldorf (DE); **Gerardo Rocha Blumenkron**, Düsseldorf (DE)

(73) Assignee: **Henkel AG & Co. KGaA**, Duesseldorf (DE)

(**) Term: **14 Years**

(21) Appl. No.: **29/356,601**

(22) Filed: **Mar. 1, 2010**

(30) **Foreign Application Priority Data**

Aug. 28, 2009 (EM) 001605213

(51) **LOC (9) Cl.** **28-03**

(52) **U.S. Cl.** **D28/10; D28/73**

(58) **Field of Classification Search** 206/503, 206/219, 581, 823; 132/208, 313; D7/509-511, D7/538, 540; D9/519; D28/9, 10, 73, 76

See application file for complete search history.

(56) **References Cited**

U.S. PATENT DOCUMENTS

D49,555	S	*	8/1916	Vivaudou	D9/504
2,981,431	A	*	4/1961	Schluttig	D9/454
D391,163	S	*	2/1998	Hanna	D9/519
D465,733	S	*	11/2002	Hill	D9/519
D545,680	S	*	7/2007	Cha et al.	D9/519
D553,996	S	*	10/2007	Healy et al.	D9/519
D554,798	S	*	11/2007	Ryan	D28/7
D564,900	S	*	3/2008	Green et al.	D9/519
D572,535	S	*	7/2008	El-Ghouyel et al.	D7/538
D604,562	S	*	11/2009	Lopez	D7/510

* cited by examiner

Primary Examiner — Jennifer Rivard

(74) *Attorney, Agent, or Firm* — David P. LeCroy

(57) **CLAIM**

The ornamental design for a hair cosmetic cup, as shown and described.

DESCRIPTION

FIG. 1 is a front perspective view of the hair cosmetic cup according to the new design;

FIG. 2 is a front elevational view thereof;

FIG. 3 is a side elevational view thereof;

FIG. 4 is a top plan view thereof; and,

FIG. 5 is a bottom plan view thereof.

1 Claim, 5 Drawing Sheets

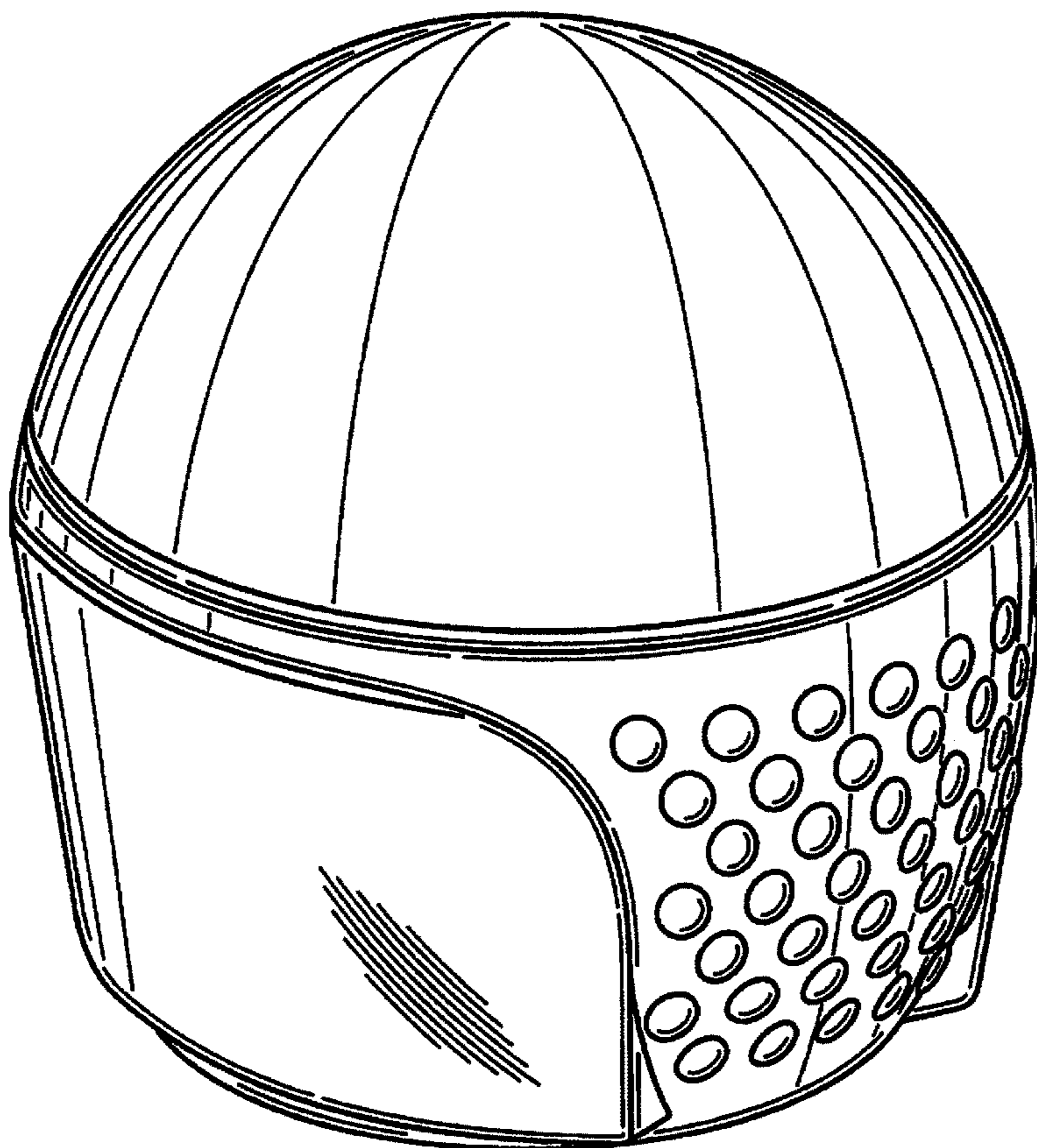


Figure 1

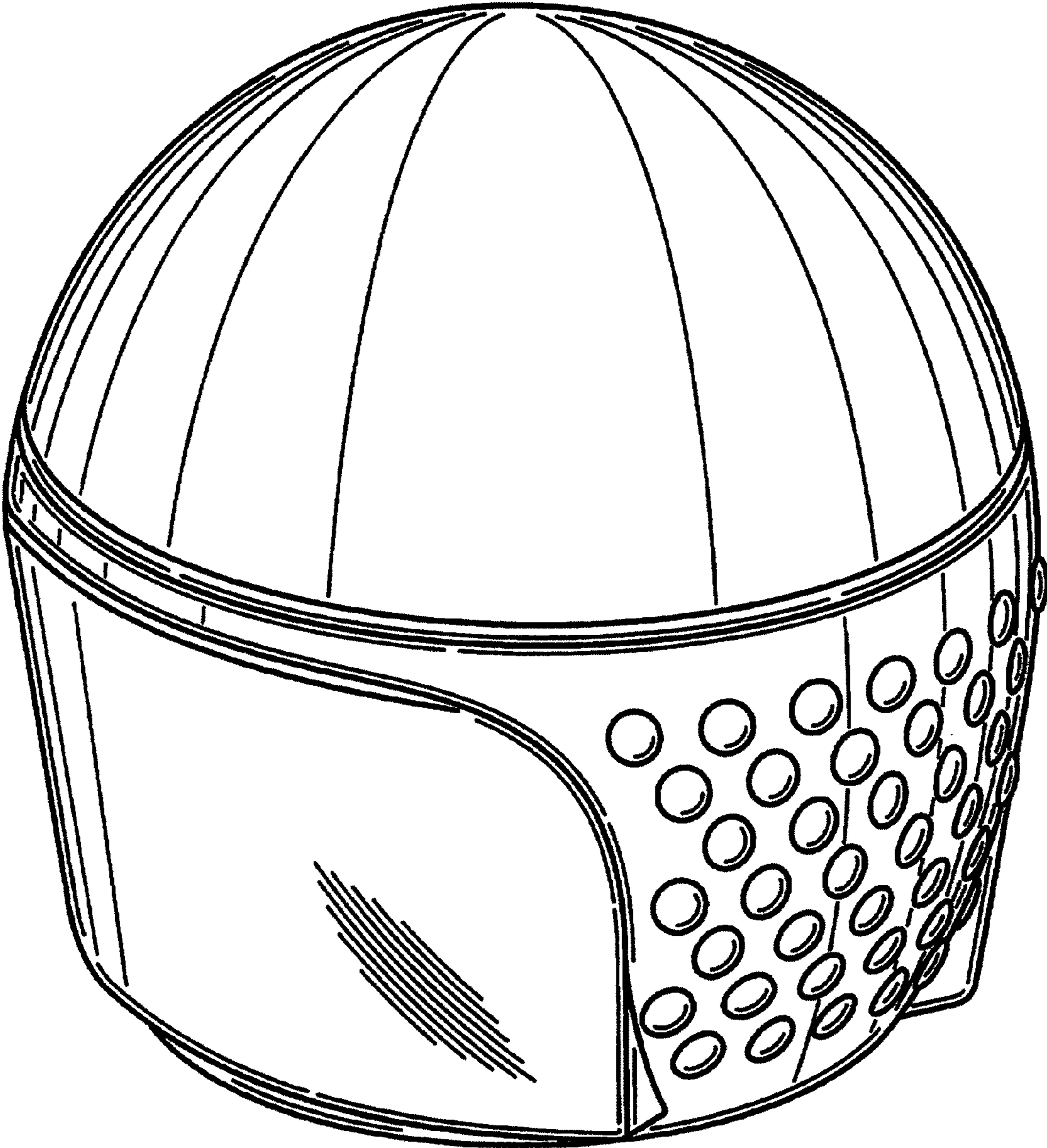


Figure 2

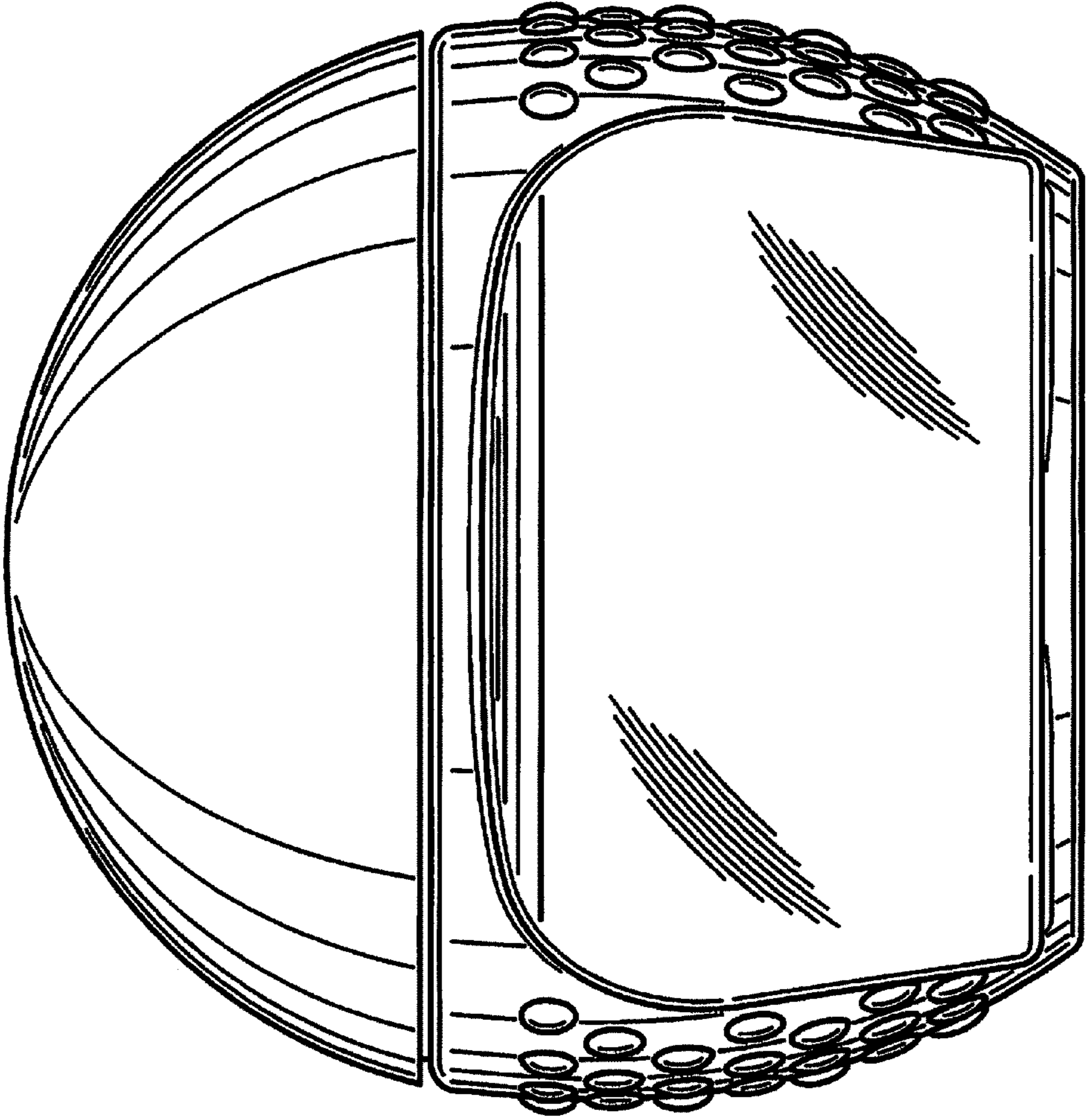


Figure 3

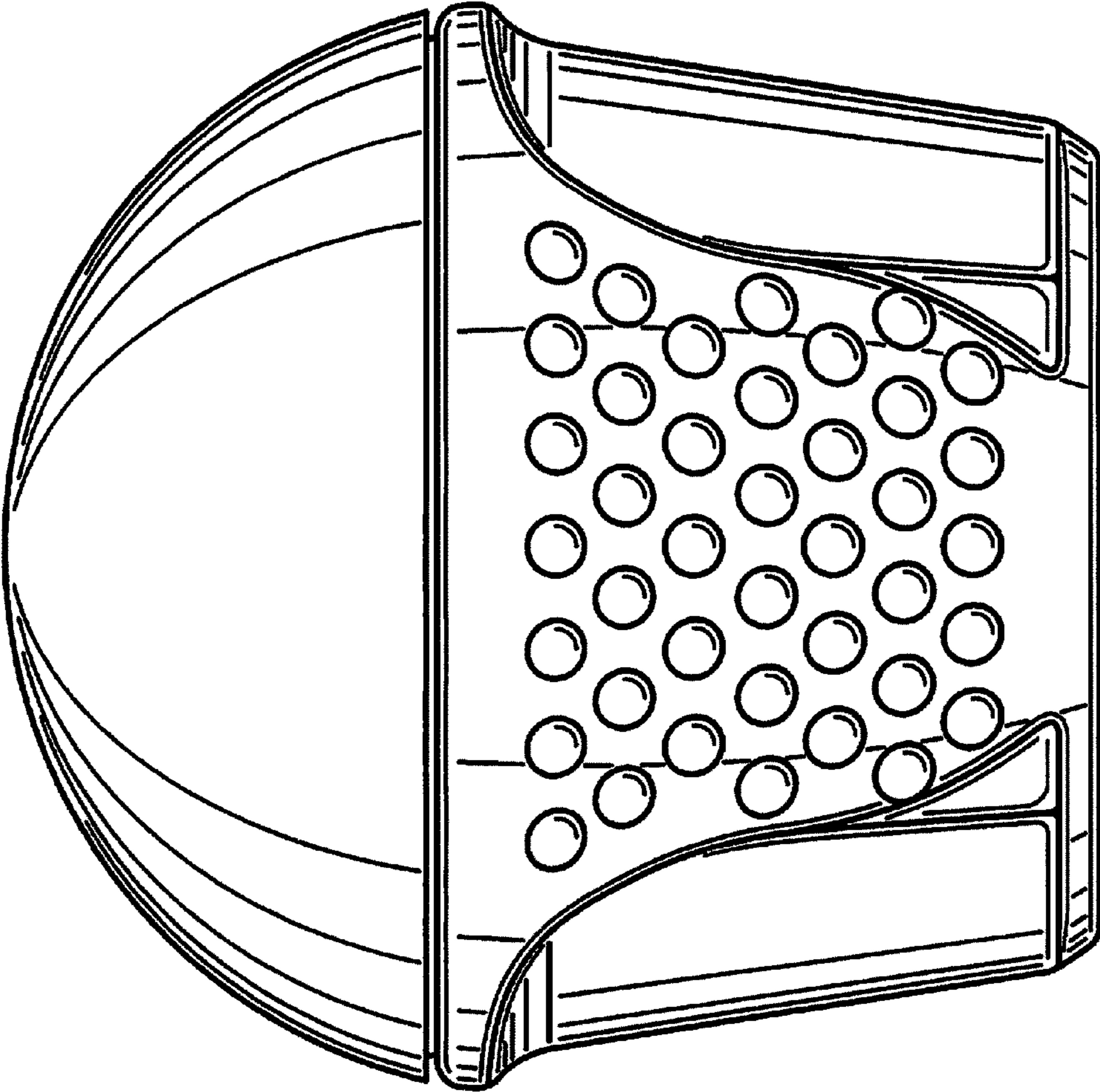


Figure 4

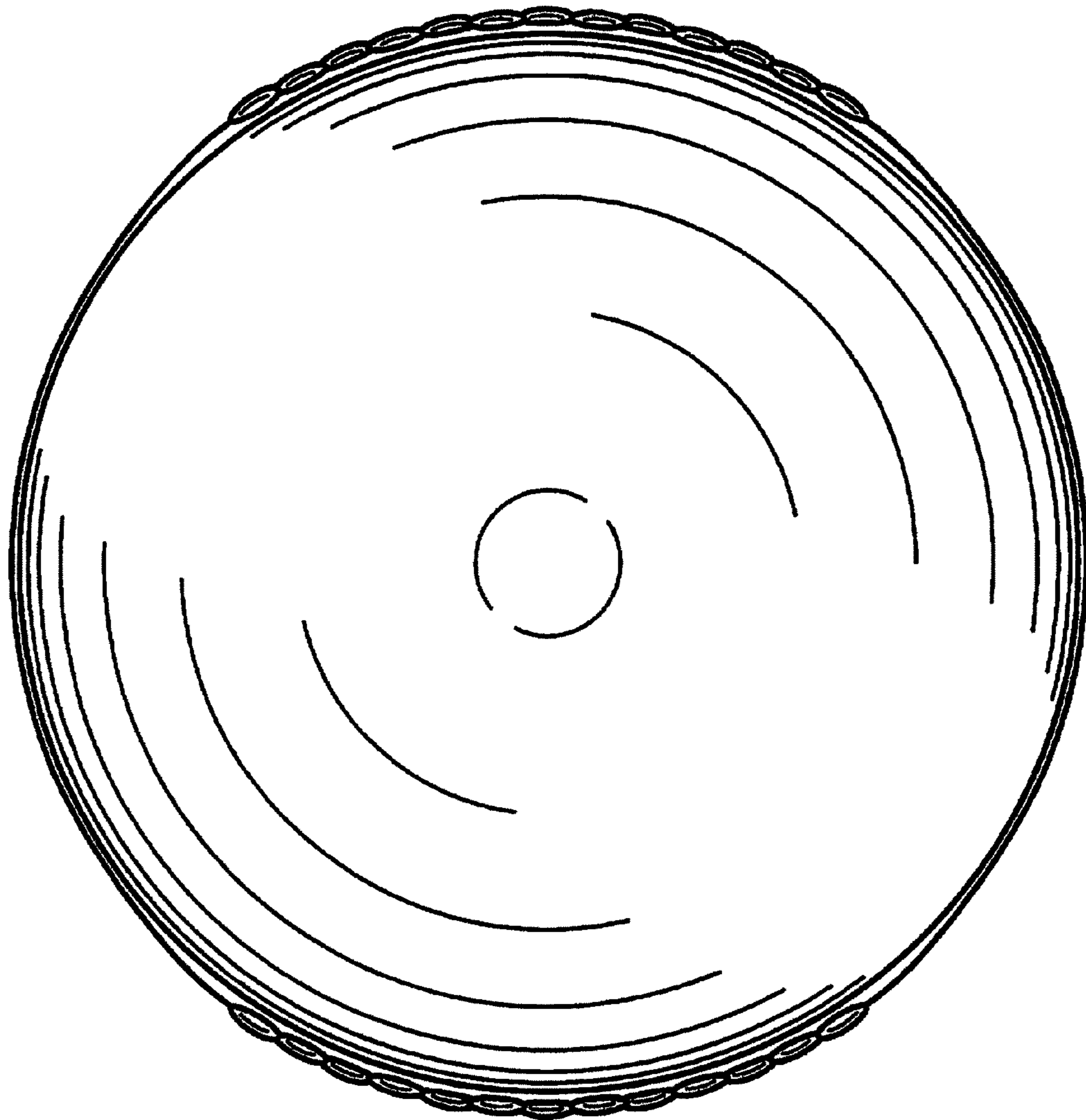


Figure 5

