



US00D638577S

(12) **United States Design Patent**
Wain

(10) **Patent No.:** **US D638,577 S**

(45) **Date of Patent:** **** May 24, 2011**

(54) **LIQUID DISPENSING HAIR REMOVAL APPLICATOR**

(75) **Inventor:** **Kevin James Wain**, Reading (GB)

(73) **Assignee:** **The Gillette Company**, Boston, MA (US)

(**) **Term:** **14 Years**

(21) **Appl. No.:** **29/377,942**

(22) **Filed:** **Oct. 28, 2010**

(51) **LOC (9) Cl.** **28-02**

(52) **U.S. Cl.** **D28/7**

(58) **Field of Classification Search** D28/7,
D28/8, 20–22, 30–31, 76, 85, 99; 132/108,
132/202, 208, 317, 320; 401/202–207, 261–267;
D4/132–135; D24/119; D9/723–726
See application file for complete search history.

(56) **References Cited**

U.S. PATENT DOCUMENTS

4,889,441	A	12/1989	Tice	
5,016,351	A	5/1991	Drahus	
D320,490	S *	10/1991	Andrew et al.	D32/45
D342,342	S *	12/1993	Maglione	D28/7
5,353,819	A *	10/1994	Kahn et al.	132/320
5,564,190	A	10/1996	Fleetwood	
5,678,316	A	10/1997	Althaus et al.	
5,761,813	A	6/1998	Frick et al.	
D425,661	S *	5/2000	Fenenga	D28/7
6,183,154	B1	2/2001	Coe	
6,190,073	B1 *	2/2001	Kabigting	401/6
6,210,064	B1	4/2001	White et al.	
6,247,862	B1 *	6/2001	Garza	401/6
6,302,607	B1	10/2001	Burrowes et al.	

6,325,564	B1 *	12/2001	Knowles	401/179
6,629,799	B2	10/2003	Flores, Jr.	
6,641,307	B2	11/2003	Matsuda et al.	
6,754,958	B2	6/2004	Haws et al.	
6,789,321	B2	9/2004	Simms	
D504,540	S *	4/2005	Bailey	D28/7
6,910,274	B1	6/2005	Pennella et al.	
7,043,841	B2	5/2006	Franzini et al.	
7,137,203	B2	11/2006	Bressler et al.	
7,703,361	B2	4/2010	Johnson et al.	
7,752,757	B2	7/2010	Salvatore, Jr.	
2006/0240380	A1	10/2006	Chenvainu et al.	
2009/0183371	A1	7/2009	Mileti et al.	
2009/0318883	A1	12/2009	Sugahara et al.	

* cited by examiner

Primary Examiner — Zenia Bennett

(74) *Attorney, Agent, or Firm* — John M. Lipchitz; Kevin C. Johnson; Steven W. Miller

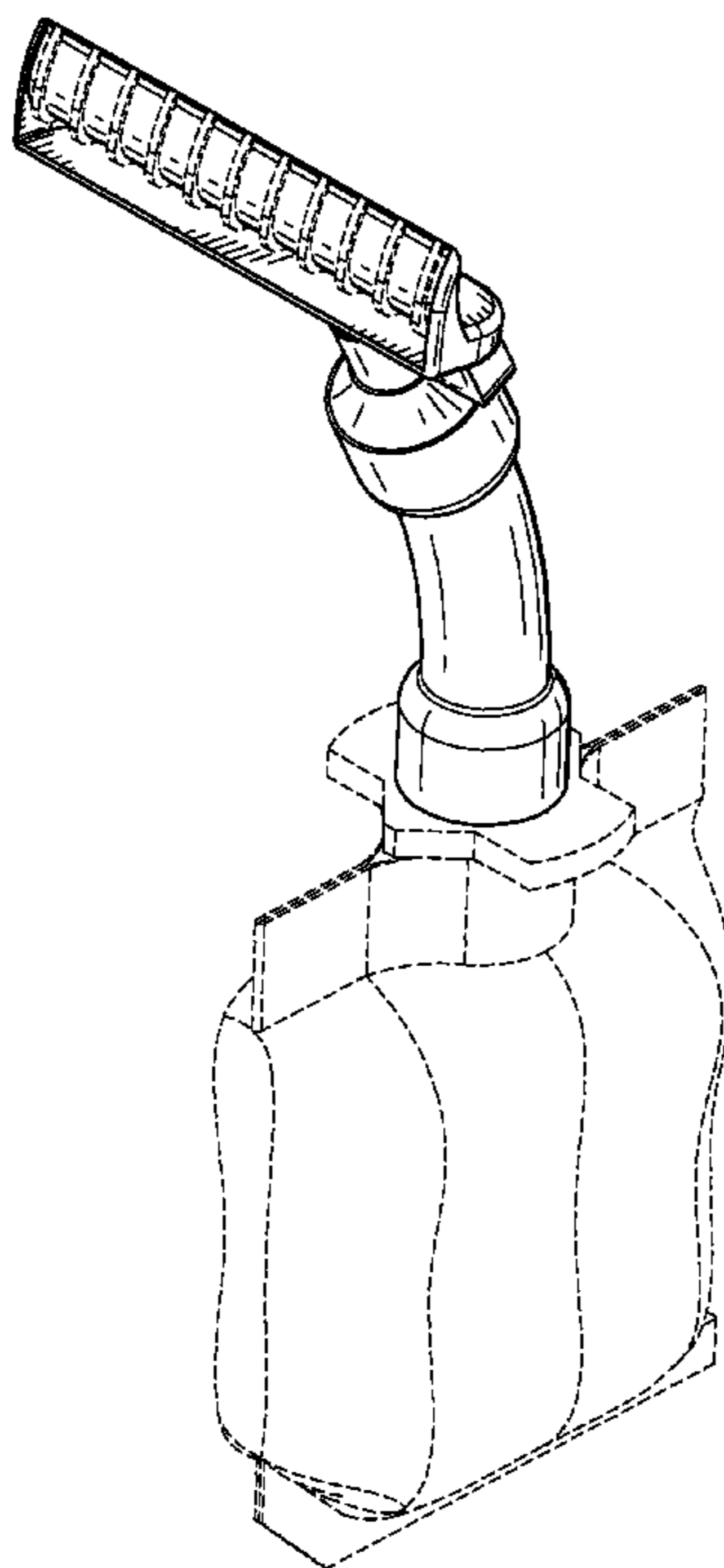
(57) **CLAIM**

The ornamental design for a liquid dispensing hair removal applicator, as shown and described.

DESCRIPTION

FIG. 1 is a perspective view of a liquid dispensing hair removal applicator of the present invention;
FIG. 2 is a front view thereof;
FIG. 3 is a rear view thereof;
FIG. 4 is a right view thereof;
FIG. 5 is a left view thereof;
FIG. 6 is a top view thereof; and,
FIG. 7 is a bottom view thereof.
The broken lines are shown for illustrative purposes only and form no part of the claimed design.

1 Claim, 6 Drawing Sheets



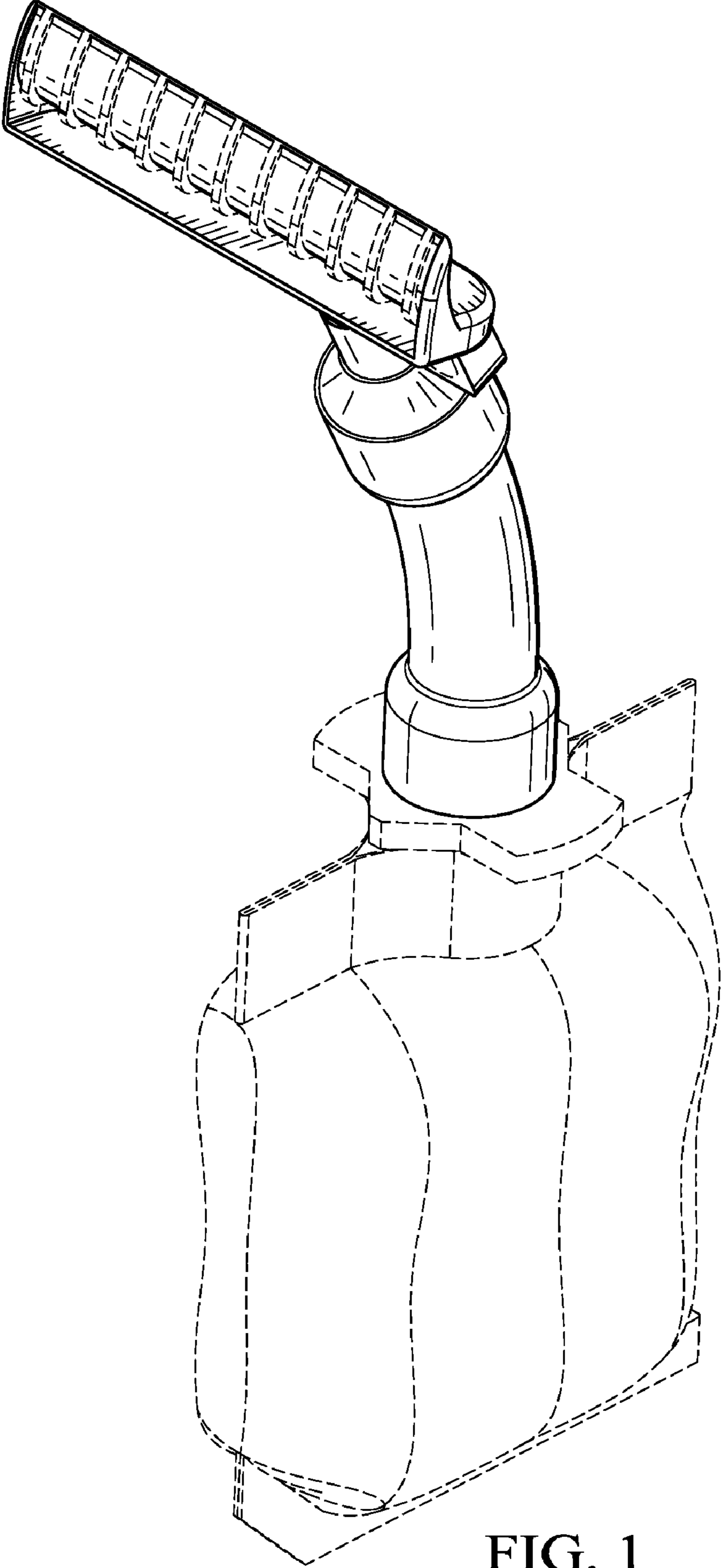


FIG. 1

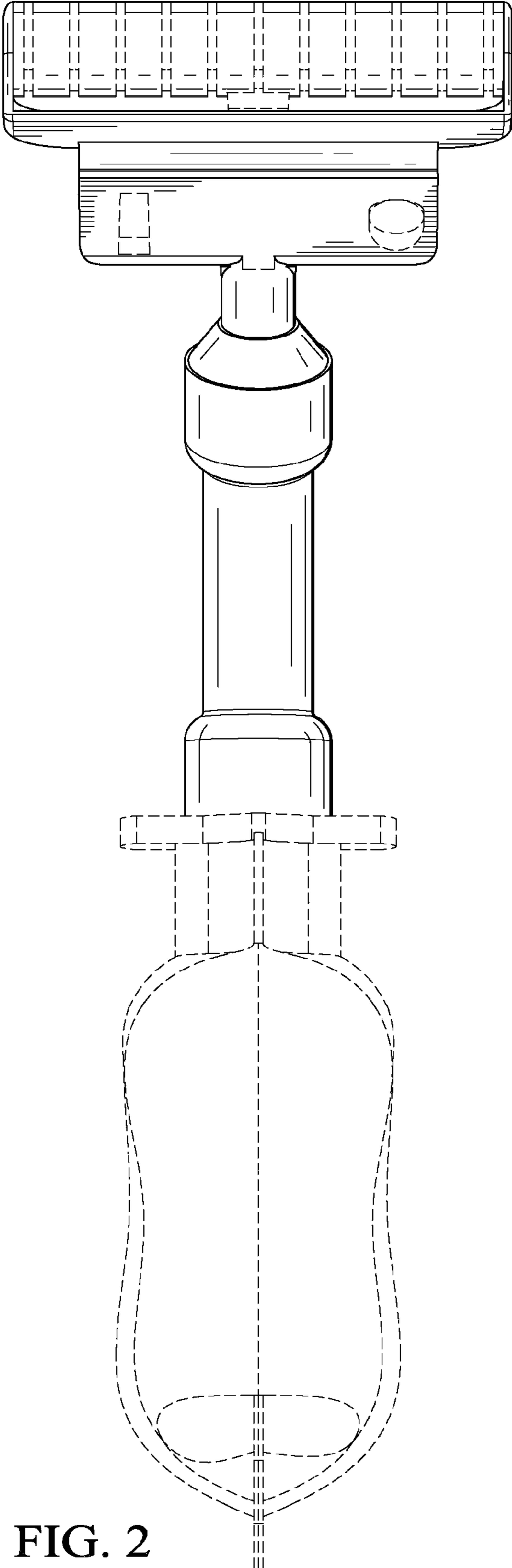


FIG. 2

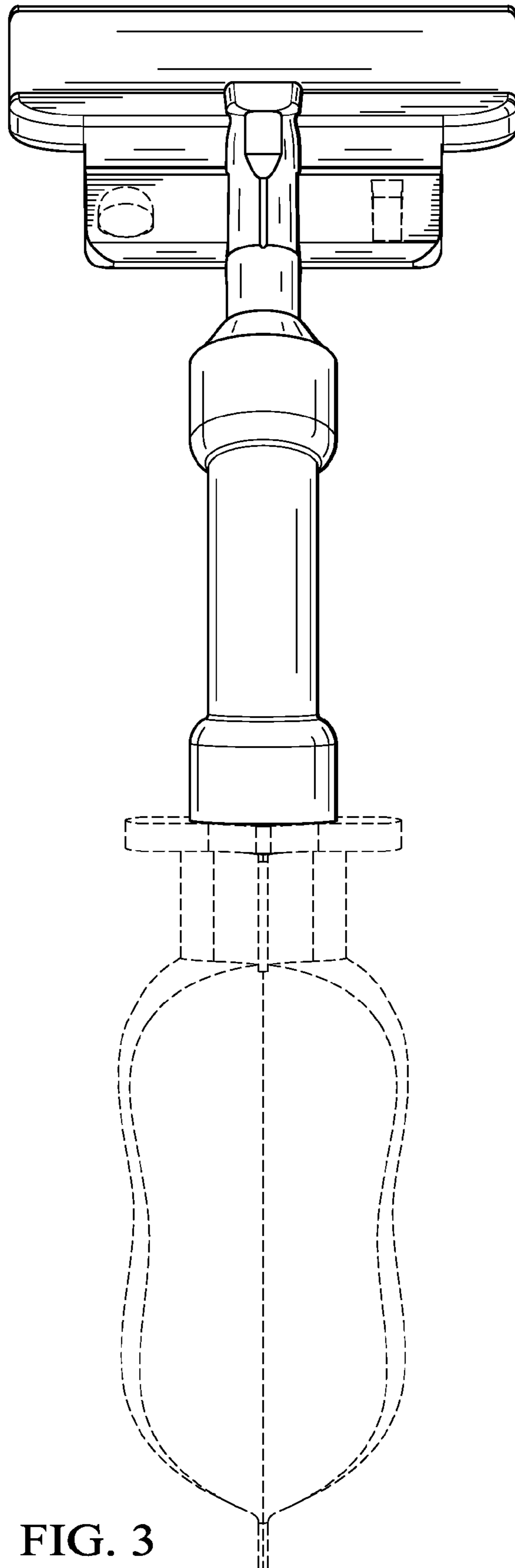


FIG. 3

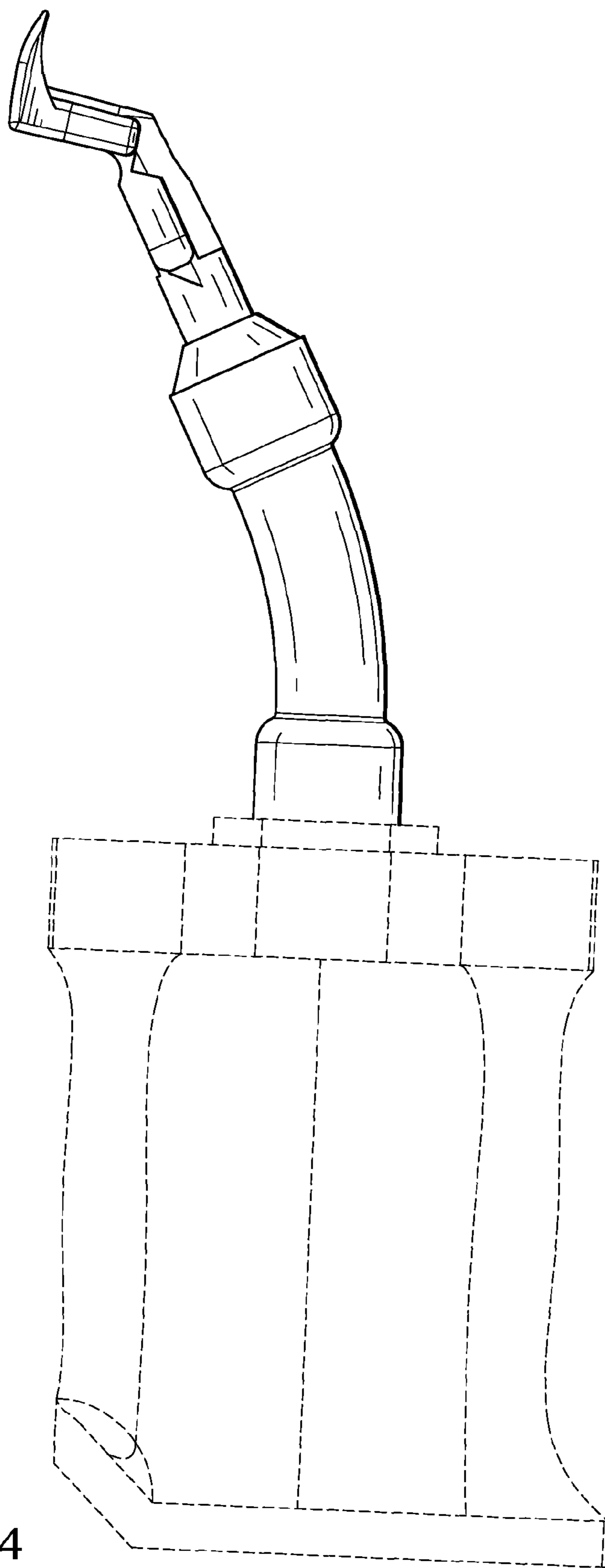


FIG. 4

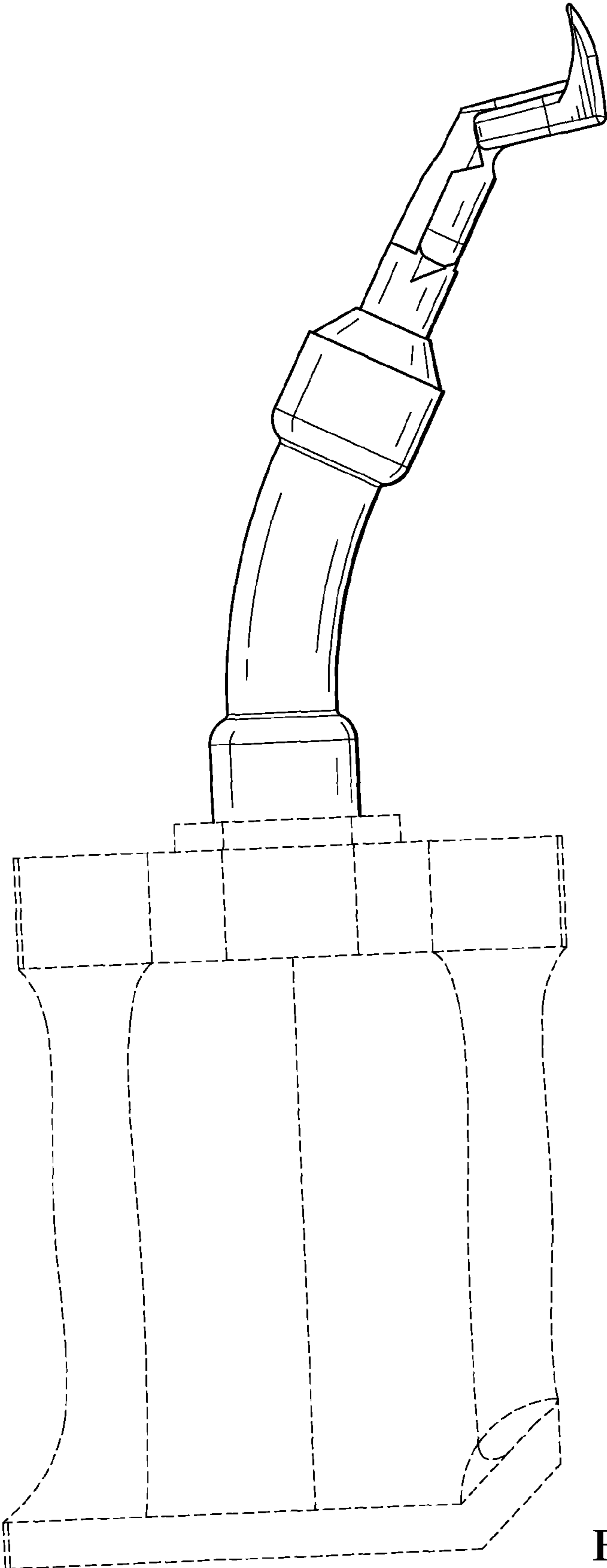


FIG. 5

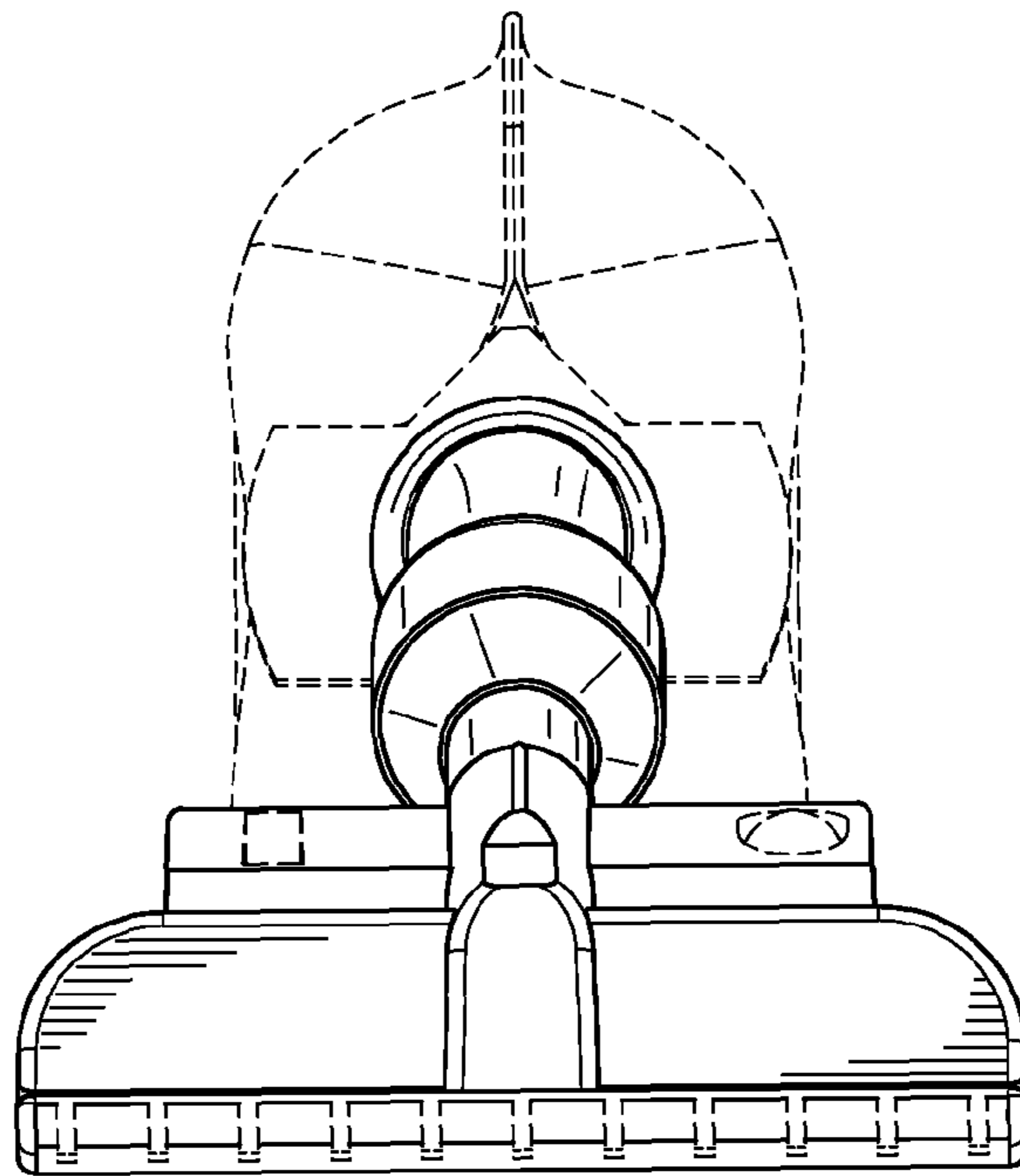


FIG. 6

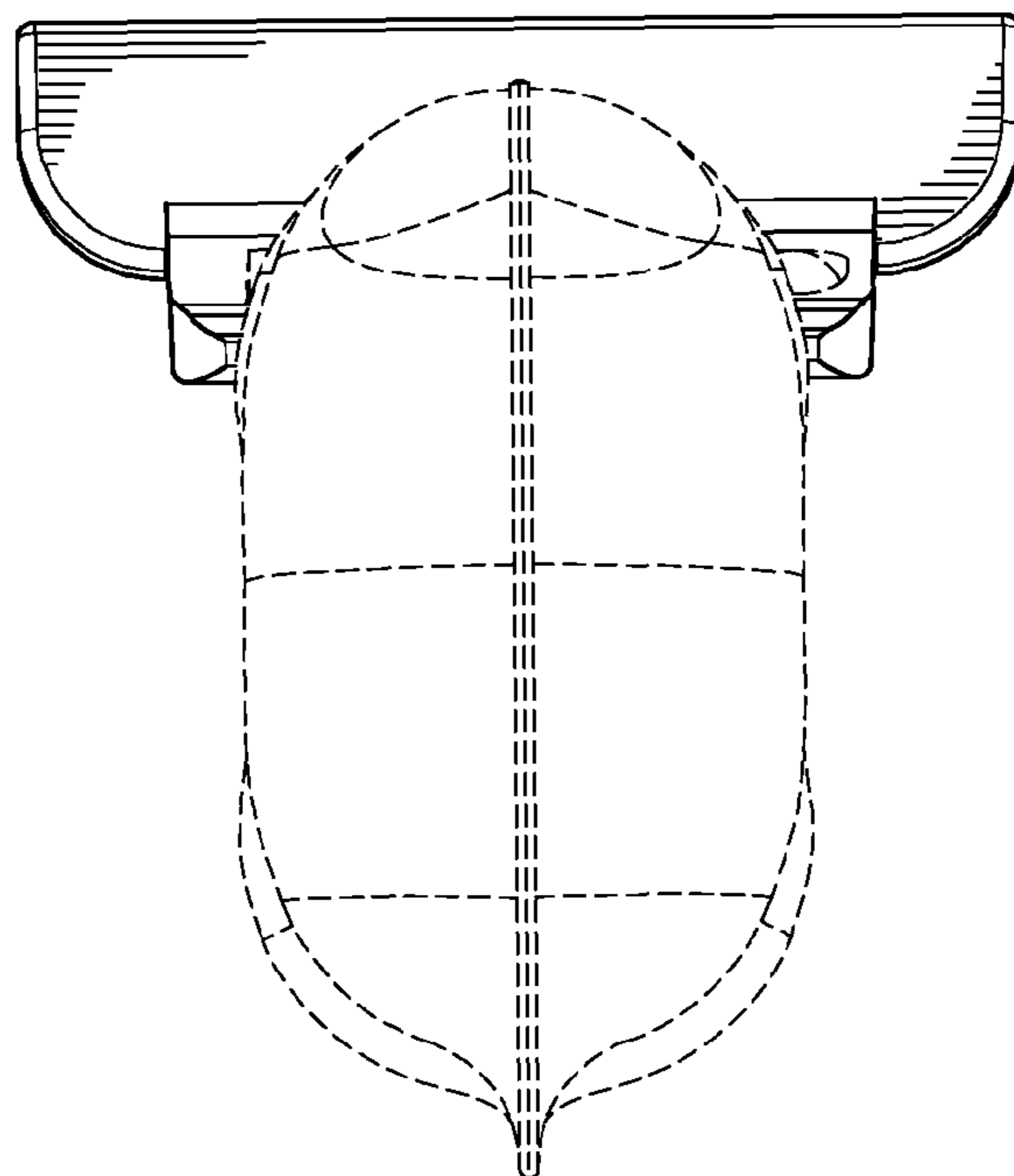


FIG. 7