



US00D638570S

(12) **United States Design Patent**
Verelst

(10) **Patent No.:** **US D638,570 S**

(45) **Date of Patent:** **** May 24, 2011**

(54) **LUMINAIRE**

(75) Inventor: **Dirk Verelst**, Boechout (BE)

(73) Assignee: **Koninklijke Philips Electronics N.V.**,
Eindhoven (NL)

(**) Term: **14 Years**

(21) Appl. No.: **29/369,321**

(22) Filed: **Sep. 7, 2010**

(30) **Foreign Application Priority Data**

Mar. 18, 2010 (EM) 001683038-0002

(51) **LOC (9) Cl.** **26-03**

(52) **U.S. Cl.** **D26/91; D26/90**

(58) **Field of Classification Search** D26/85,
D26/87, 88, 90, 91, 118, 128-130, 137, 144;
362/147, 404-408, 431, 432

See application file for complete search history.

(56) **References Cited**

U.S. PATENT DOCUMENTS

D35,683 S *	2/1902	Mygatt	D26/134
D76,437 S *	9/1928	Genachte	D26/130
D80,182 S *	12/1929	Mathieu	D26/130
D86,300 S *	2/1932	Buschman	D26/2
D87,863 S *	10/1932	Ainsworth	D26/88
D110,173 S *	6/1938	Donchian	D26/130
D176,921 S *	2/1956	Koepke	D26/130
D203,405 S *	1/1966	Crawford	D26/90
D209,751 S *	1/1968	Jeruss	D26/131

D226,216 S *	1/1973	Rice	D26/130
D232,255 S *	7/1974	Tongson	D26/130
D233,907 S *	12/1974	Michaeli	D26/130
D237,003 S *	9/1975	Jahandideh	D26/104
D246,270 S *	11/1977	Baker	D26/129
D257,643 S *	12/1980	Zurcher	D26/85
D260,685 S *	9/1981	Zurcher	D26/91
D268,134 S *	3/1983	Zurcher	D26/91
D278,659 S *	4/1985	Lodrick, Sr.	D26/85
D280,446 S *	9/1985	Ishii	D26/130
5,623,790 A *	4/1997	Lalvani	52/81.2
D384,182 S *	9/1997	Gresack et al.	D26/130
D501,694 S *	2/2005	Cannon	D99/99
D575,894 S *	8/2008	Lissoni	D26/88

OTHER PUBLICATIONS

Pendant shown circled from ModernLightingUniverse.com visited on Jun. 16, 2009. (! page).*

* cited by examiner

Primary Examiner — Clare E Heflin

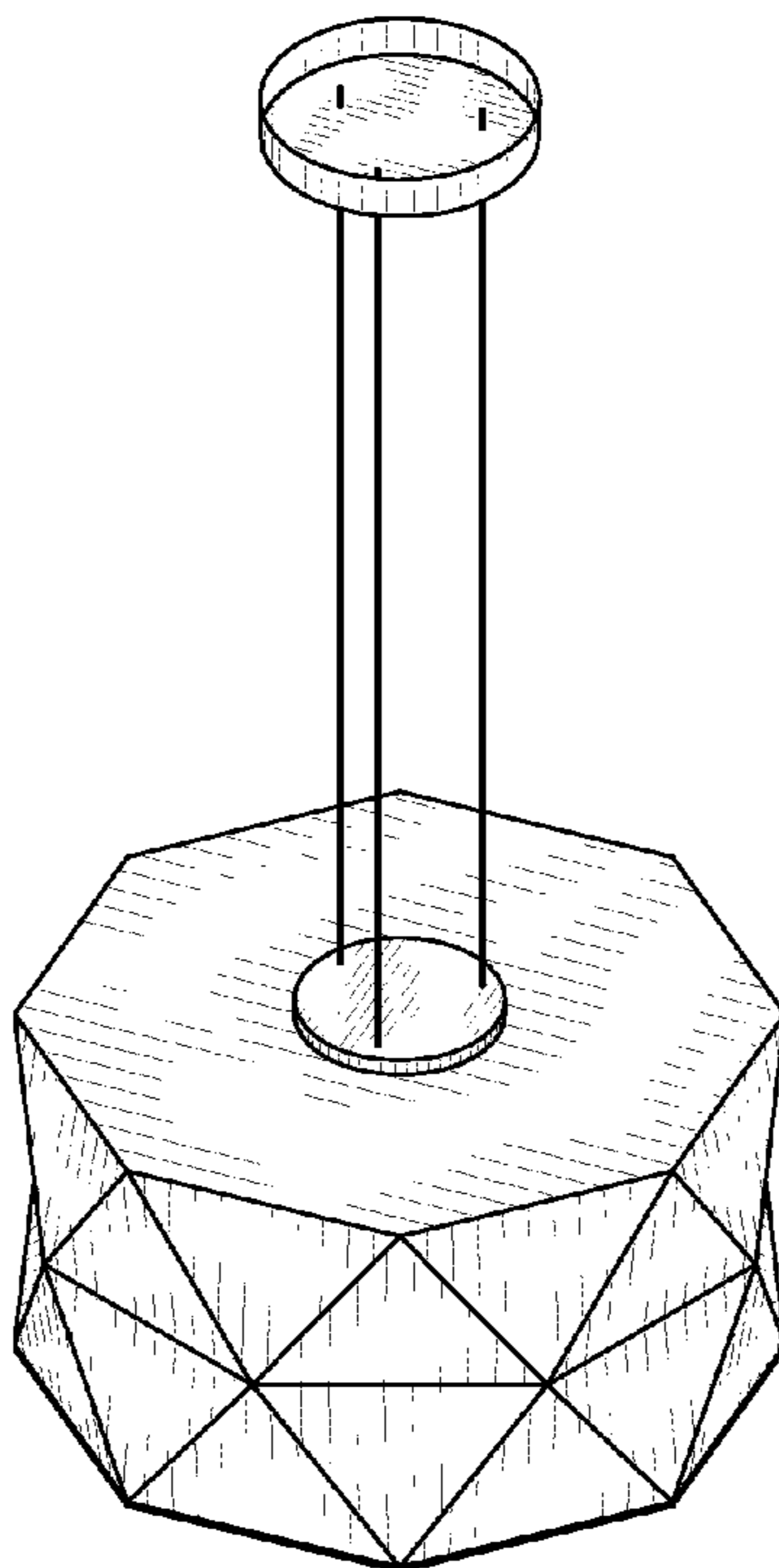
(57) **CLAIM**

The ornamental design for a luminaire, as shown.

DESCRIPTION

FIG. 1 is a perspective view showing my design;
FIG. 2 is a front elevational view thereof;
FIG. 3 is a rear elevational view thereof;
FIG. 4 is a right side elevational view thereof;
FIG. 5 is a left side elevational view thereof;
FIG. 6 is a top plan view thereof; and,
FIG. 7 is a bottom plan view thereof.

1 Claim, 4 Drawing Sheets



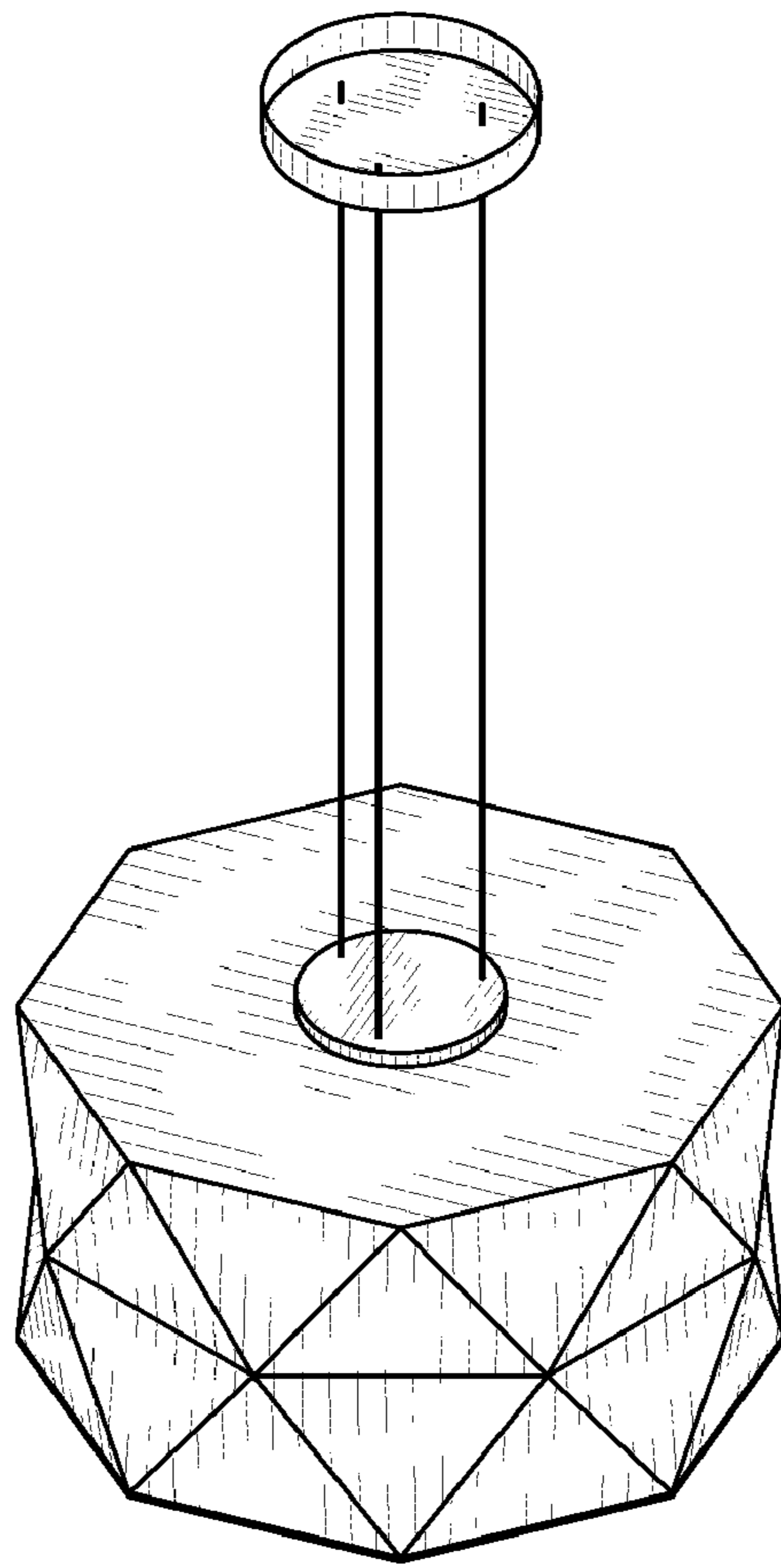


FIG. 1

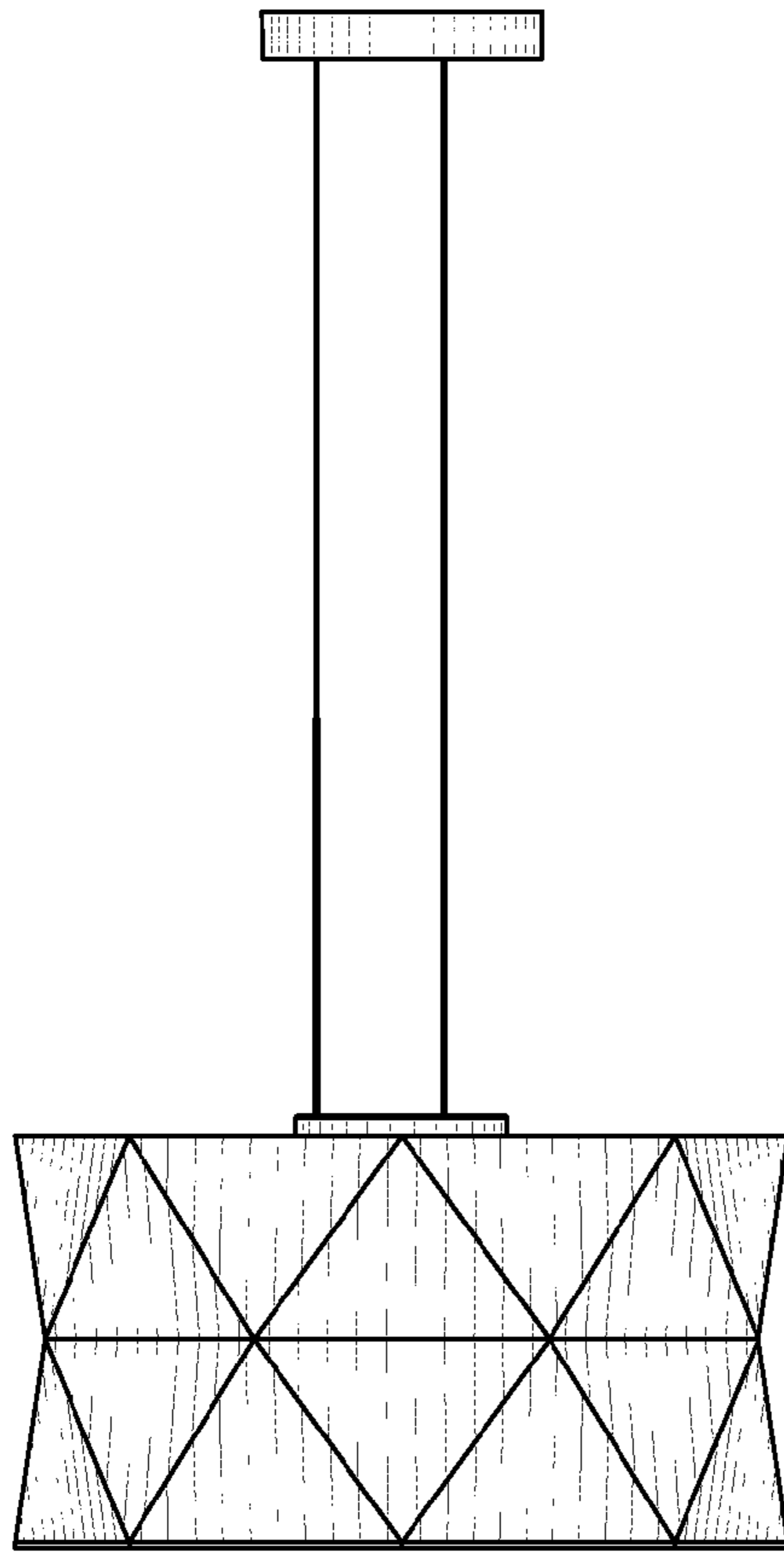


FIG. 2

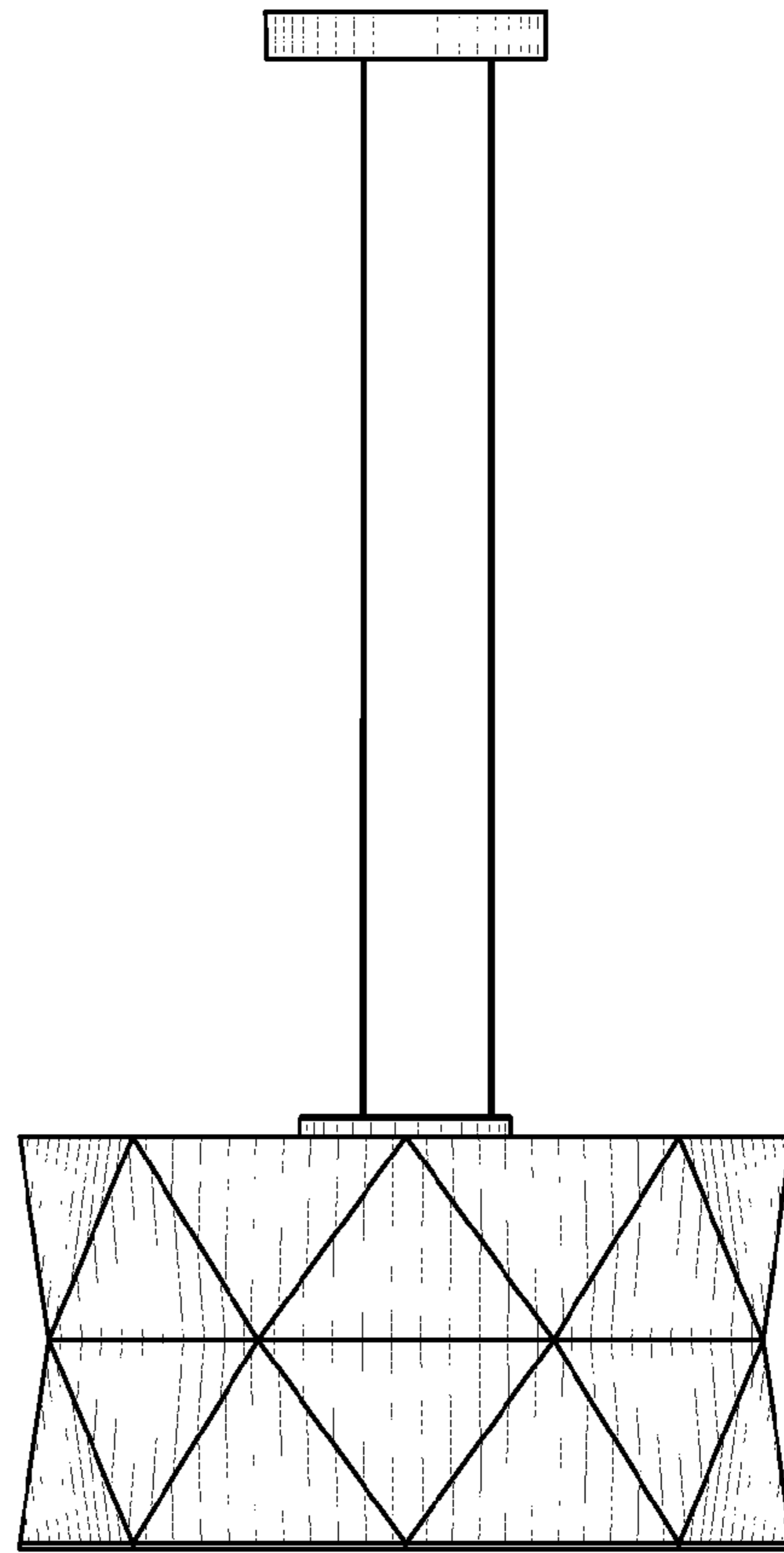


FIG. 3

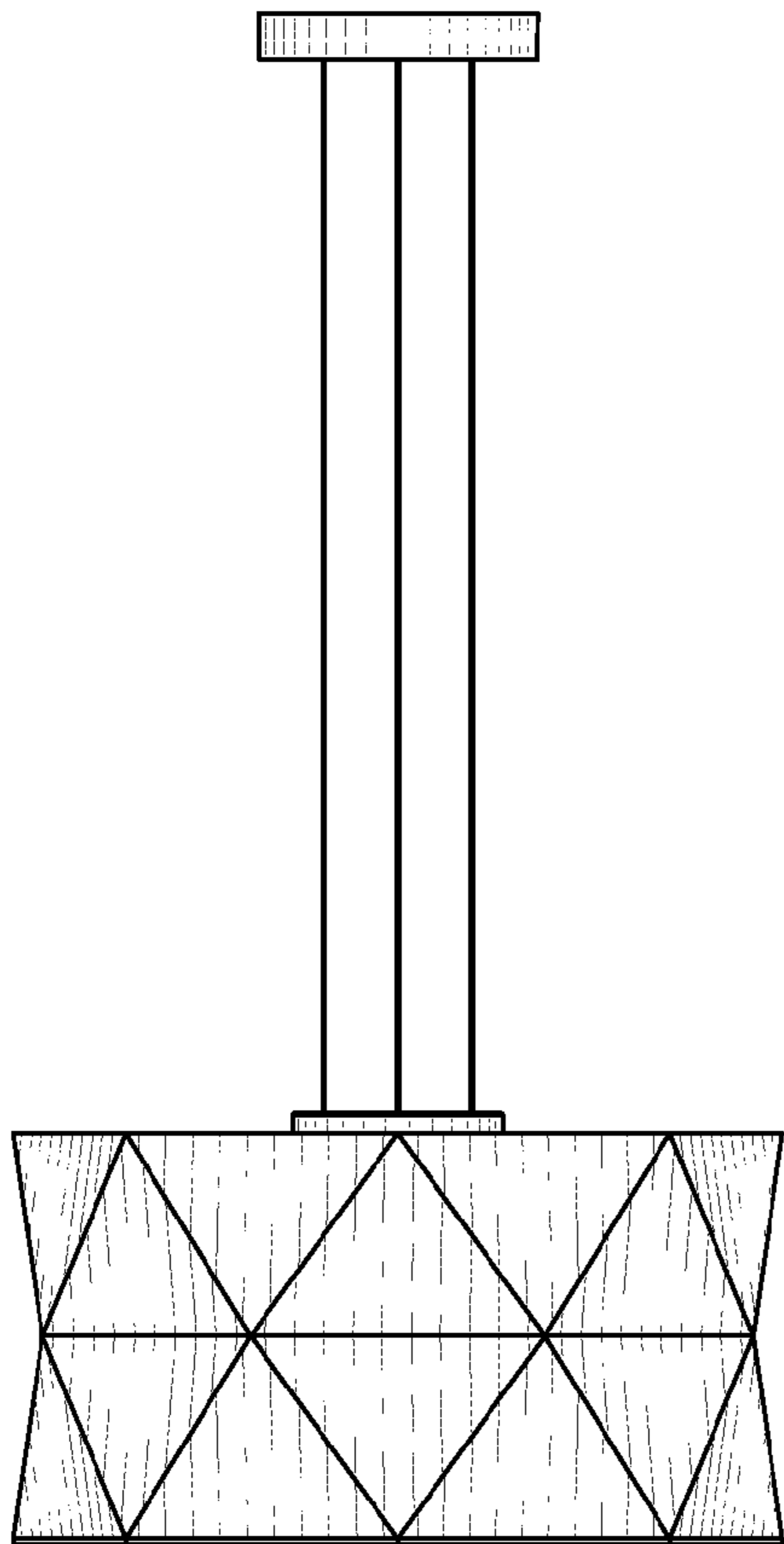


FIG. 4

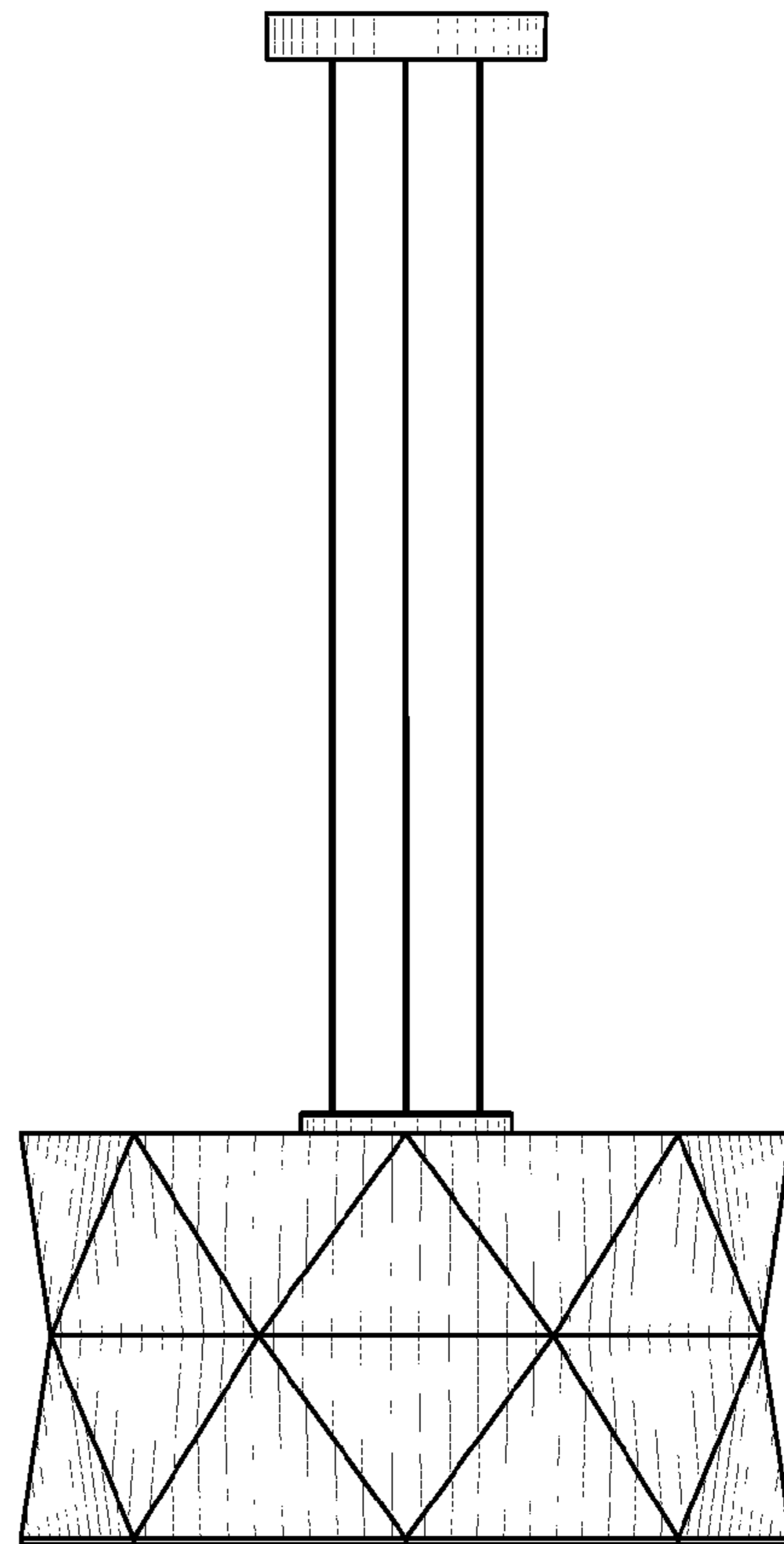


FIG. 5

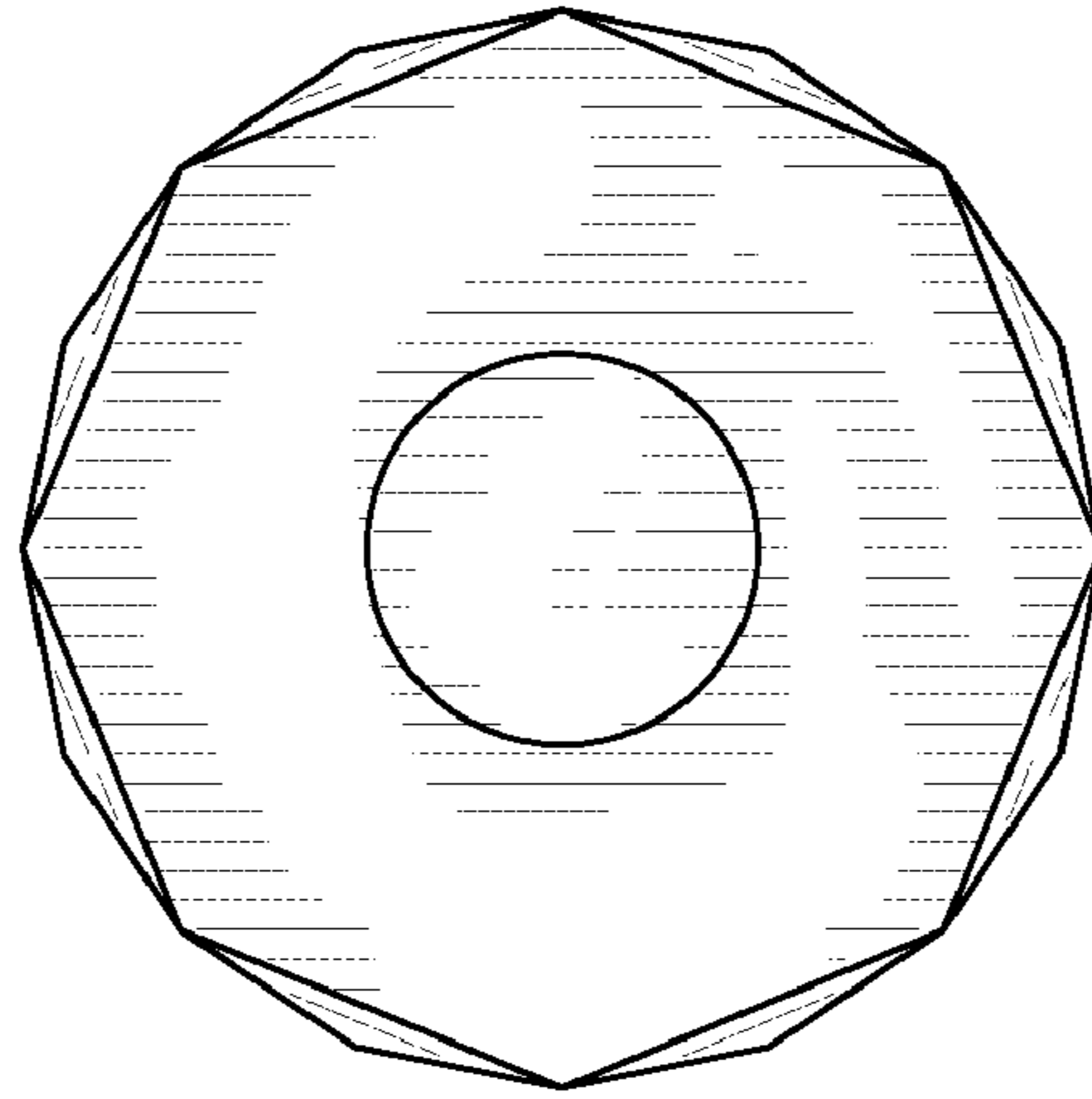


FIG. 6

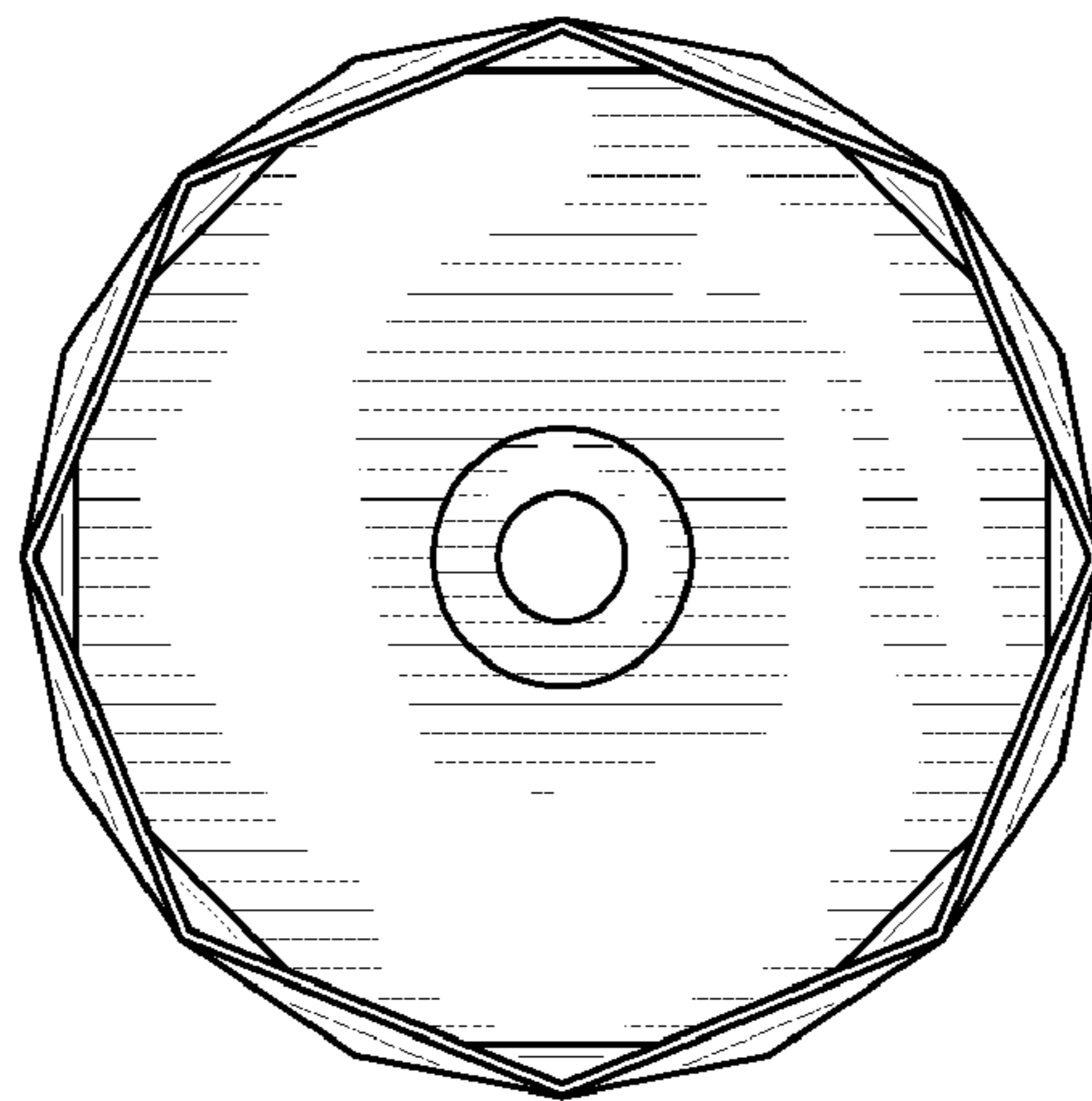


FIG. 7