



US00D638569S

(12) **United States Design Patent**  
**Heyrman**

(10) **Patent No.:** **US D638,569 S**

(45) **Date of Patent:** **\*\* May 24, 2011**

(54) **LUMINAIRE**

(75) Inventor: **Koen Heyrman**, Melsele (BE)

(73) Assignee: **Koninklijke Philips Electronics N.V.**,  
Eindhoven (NL)

(\*\*) Term: **14 Years**

(21) Appl. No.: **29/369,316**

(22) Filed: **Sep. 7, 2010**

(30) **Foreign Application Priority Data**

Mar. 18, 2010 (EM) ..... 001683061-0001

(51) **LOC (9) Cl.** ..... **26-03**

(52) **U.S. Cl.** ..... **D26/90; D26/88**

(58) **Field of Classification Search** ..... D26/85,  
D26/87, 88, 90, 91, 118, 128-130, 137, 144;  
362/147, 404-408, 431, 432

See application file for complete search history.

(56) **References Cited**

**U.S. PATENT DOCUMENTS**

D248,184 S \* 6/1978 Roberts ..... D26/85  
D548,386 S \* 8/2007 McDowell ..... D26/118  
D548,387 S \* 8/2007 McDowell ..... D26/118  
D584,446 S \* 1/2009 Sabernig ..... D26/88

D585,584 S \* 1/2009 Sabernig ..... D26/88  
D595,891 S \* 7/2009 Sabernig ..... D26/90  
D620,178 S \* 7/2010 Sabernig ..... D26/84  
D620,179 S \* 7/2010 Sabernig ..... D26/84

**OTHER PUBLICATIONS**

Antimemy pendants shown on p. 153 of the Hubbardton Forge 2007 Catalog. (2 pages).\*

Three hanging pendants from ModernLightingUniverse.com, visited on Jun. 16, 2009.(3 pages).\*

Trilo pendant 16626 on p. 92 and Trilo wall sconce 16627 on p. 93 of the Eurofase Lighting Illuminations Catalog EF09 © 2009. (2 pages).\*

Hanging pendants from 2modern.com visited May 6, 2010. 1.) Arturo Alvarez Sophi 2 light pendant; and 2.) Arturo Alvarez Cebra 4 light pendant. (1 page).\*

\* cited by examiner

*Primary Examiner* — Clare E Heflin

(57) **CLAIM**

The ornamental design for a luminaire, as shown.

**DESCRIPTION**

FIG. 1 is a perspective view showing my design;

FIG. 2 is a front elevational view thereof;

FIG. 3 is a rear elevational view thereof;

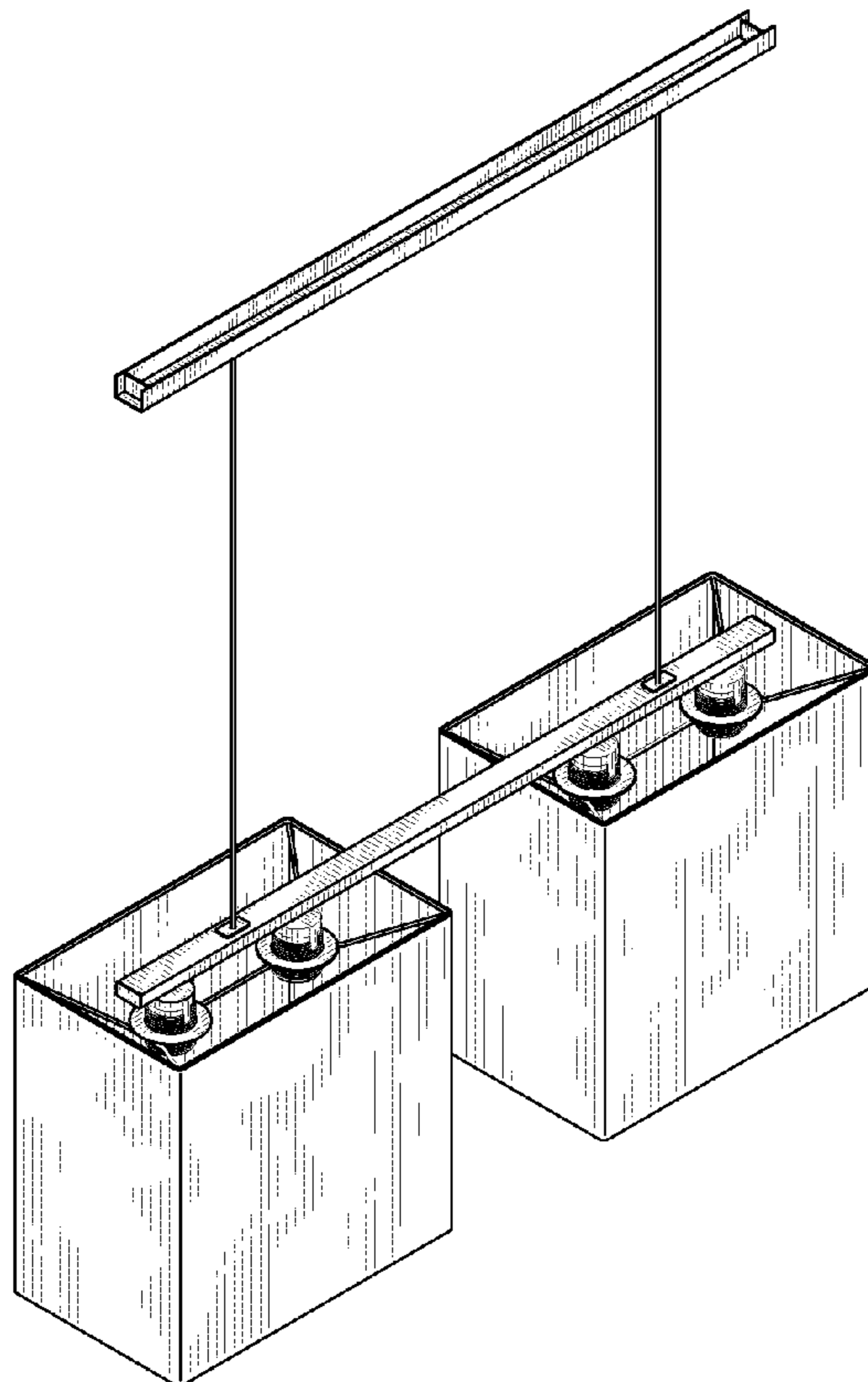
FIG. 4 is a right side elevational view thereof;

FIG. 5 is a left side elevational view thereof;

FIG. 6 is a top plan view thereof; and,

FIG. 7 is a bottom plan view thereof.

**1 Claim, 4 Drawing Sheets**



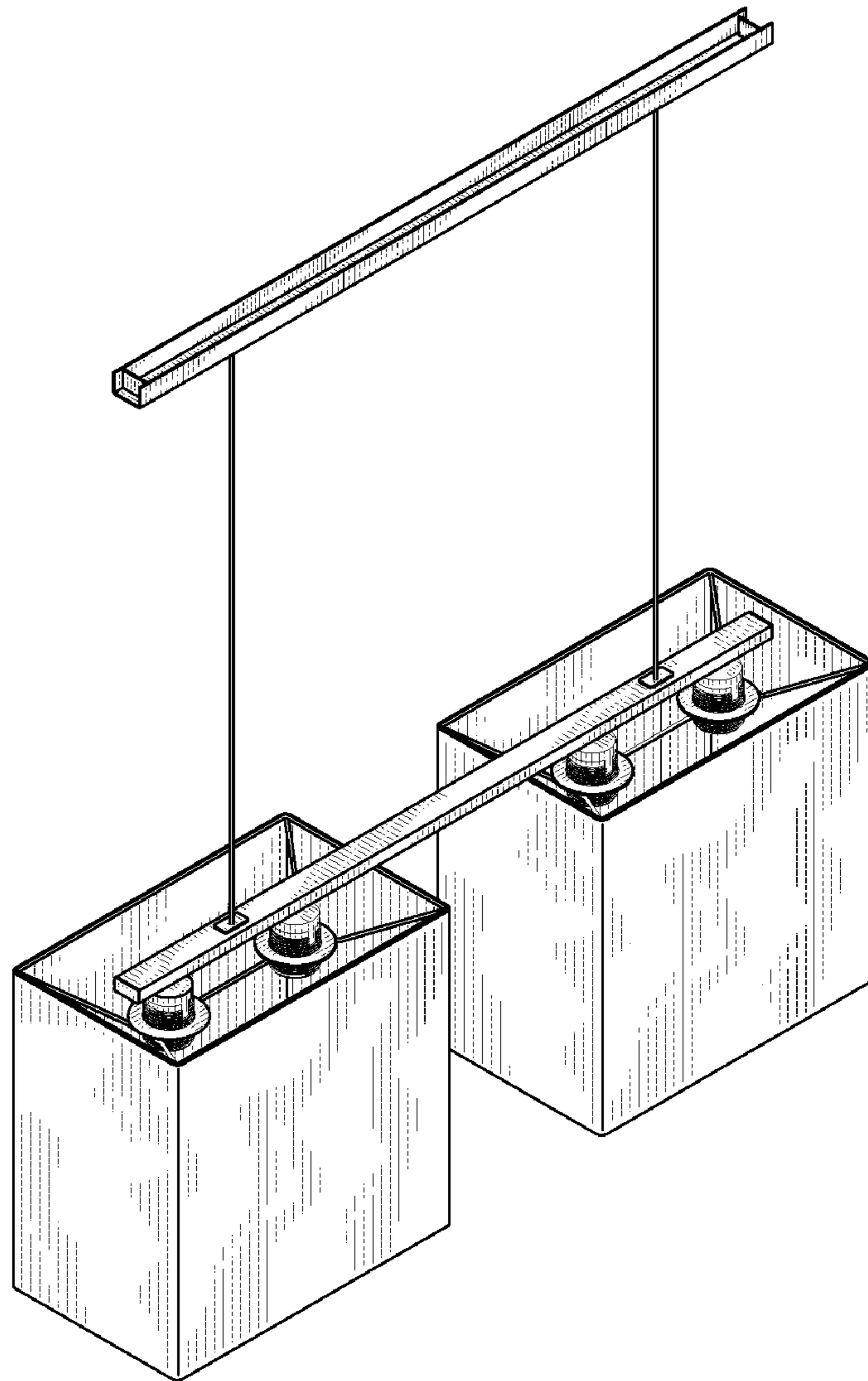


FIG. 1

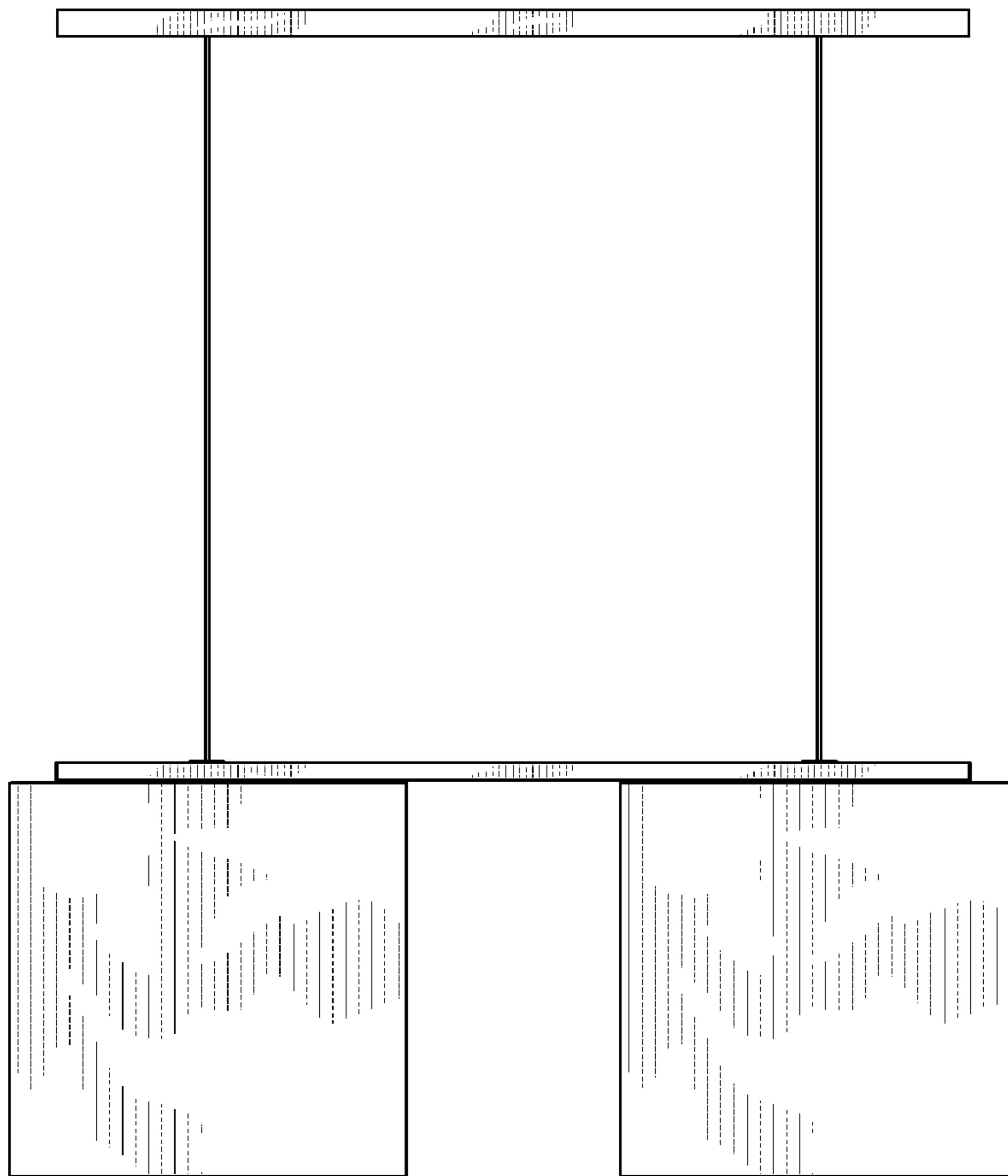


FIG.2

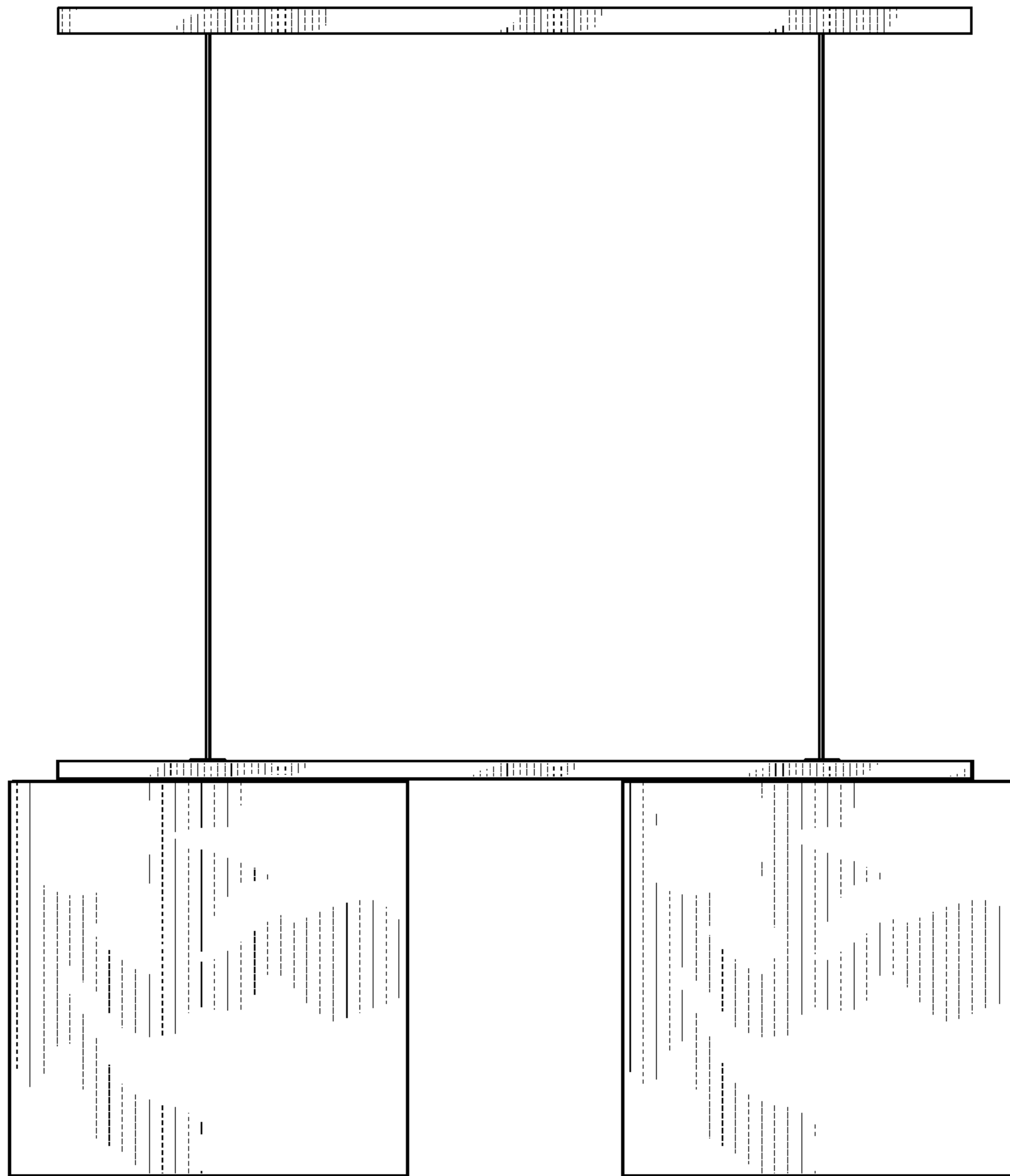


FIG.3

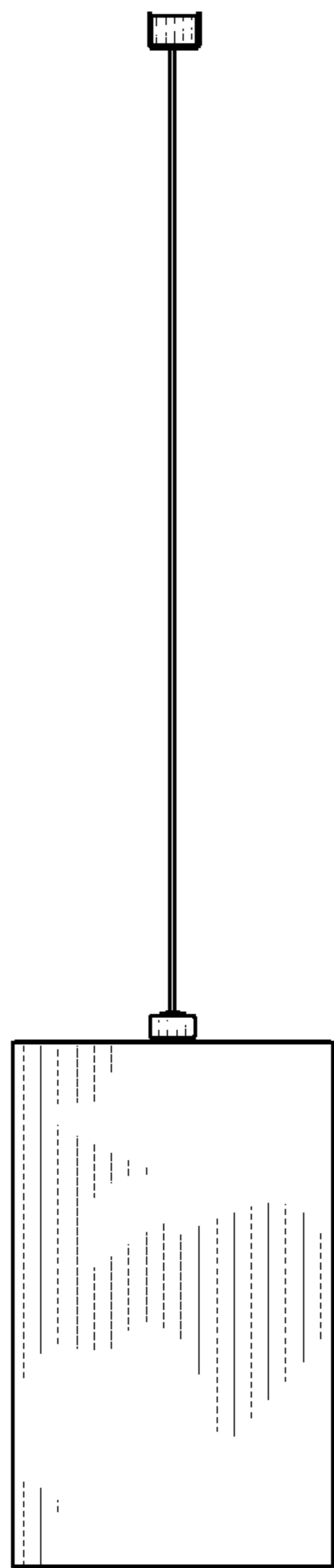


FIG. 4

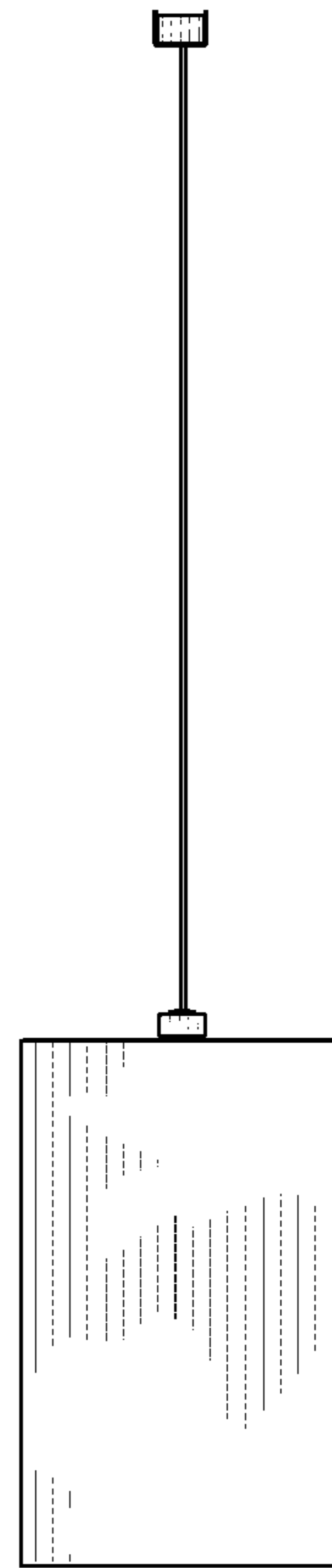


FIG. 5

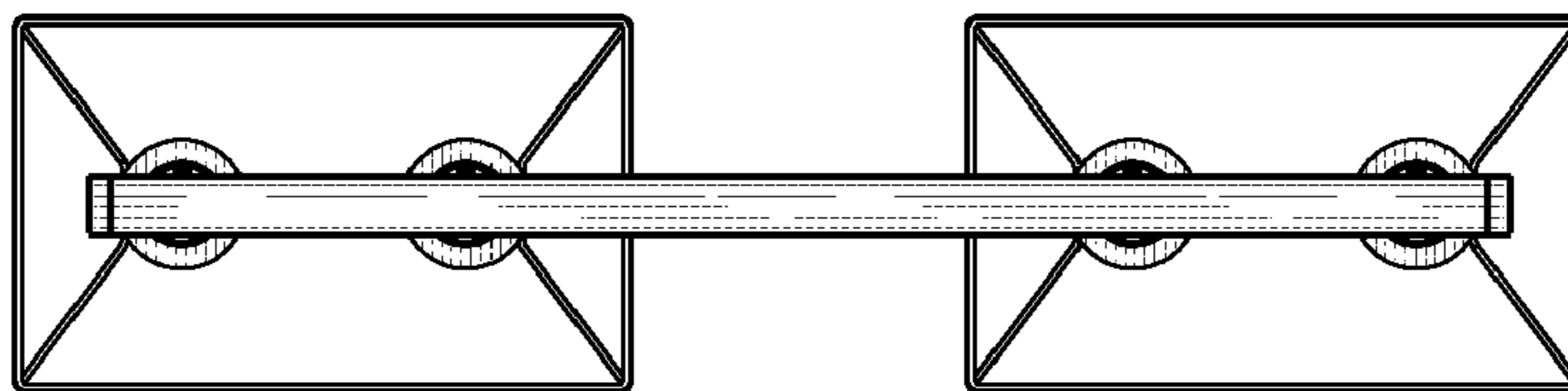


FIG. 6

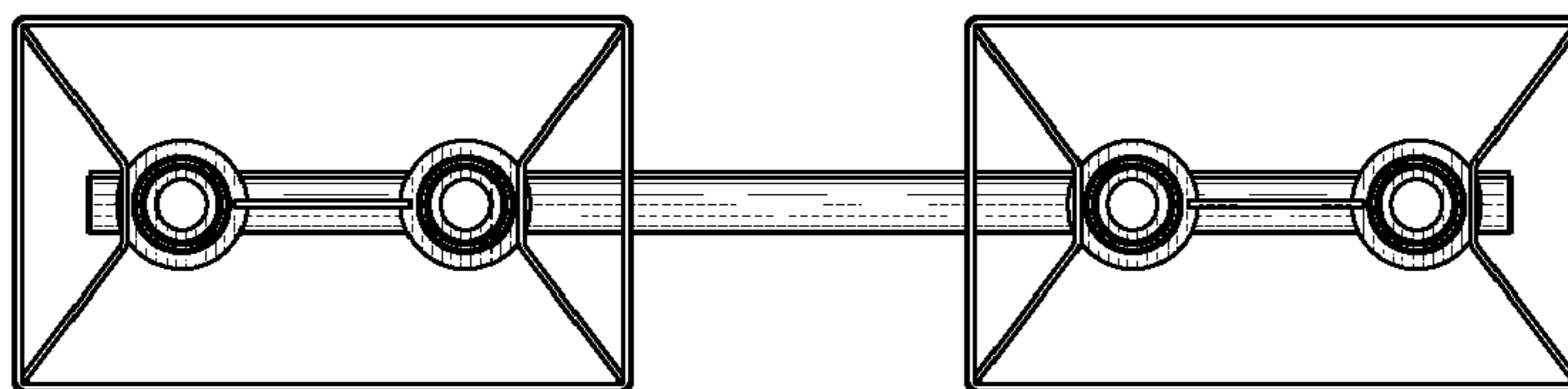


FIG. 7