



US00D638568S

(12) **United States Design Patent**
Wang et al.

(10) **Patent No.:** **US D638,568 S**

(45) **Date of Patent:** **** May 24, 2011**

(54) **LED LAMP**

(75) Inventors: **Zhong-Qing Wang**, Shenzhen (CN);
Chin-Chung Chen, Taipei Hsien (TW)

(73) Assignee: **Foxconn Technology Co., Ltd.**,
Tu-Cheng, New Taipei (TW)

(**) Term: **14 Years**

(21) Appl. No.: **29/350,716**

(22) Filed: **Nov. 23, 2009**

(51) **LOC (9) Cl.** **26-03**

(52) **U.S. Cl.** **D26/85**

(58) **Field of Classification Search** D26/24,
D26/67, 72, 74, 76, 85, 88, 89, 118, 128;
362/147, 294.02, 373, 453, 454, 404-408,
362/432, 490, 493; 40/576

See application file for complete search history.

(56) **References Cited**

U.S. PATENT DOCUMENTS

D221,181 S *	7/1971	Bobrick	D26/85
4,157,585 A *	6/1979	Freeman	362/248
4,186,432 A *	1/1980	Hamacher	362/647
4,827,386 A *	5/1989	Mackiewicz	362/267
D315,216 S *	3/1991	Kelley et al.	D26/28

D336,863 S *	6/1993	MacKenzie	D10/114
D352,564 S *	11/1994	Marischen	D26/26
D356,169 S *	3/1995	Lyons	D26/28
D378,438 S *	3/1997	Sliney	D26/119
D404,165 S *	1/1999	Vakil	D26/85
D564,694 S *	3/2008	Southern, Jr.	D26/85
D567,989 S *	4/2008	Goetz-Schaefer	D26/89
7,547,119 B2 *	6/2009	Kuwana et al.	362/294

FOREIGN PATENT DOCUMENTS

JP	D1229859 S	2/2005
JP	D1288340 S	12/2006

* cited by examiner

Primary Examiner — Clare E Heflin

(74) *Attorney, Agent, or Firm* — Frank R. Niranjana

(57) **CLAIM**

The ornamental design for an LED lamp, as shown.

DESCRIPTION

FIG. 1 is a perspective view of an LED lamp showing our new design.

FIG. 2 is a front elevational view thereof.

FIG. 3 is a rear elevational view thereof.

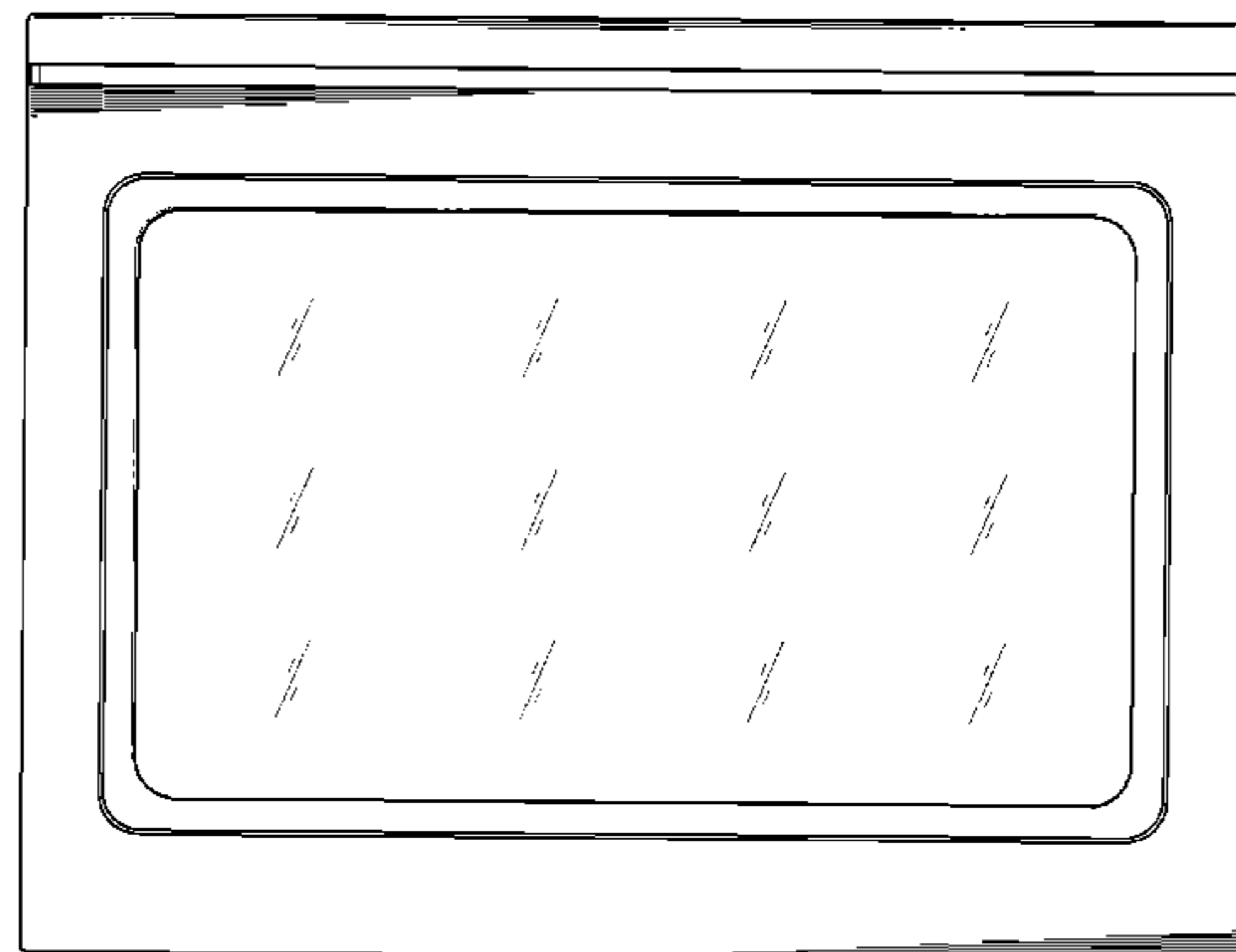
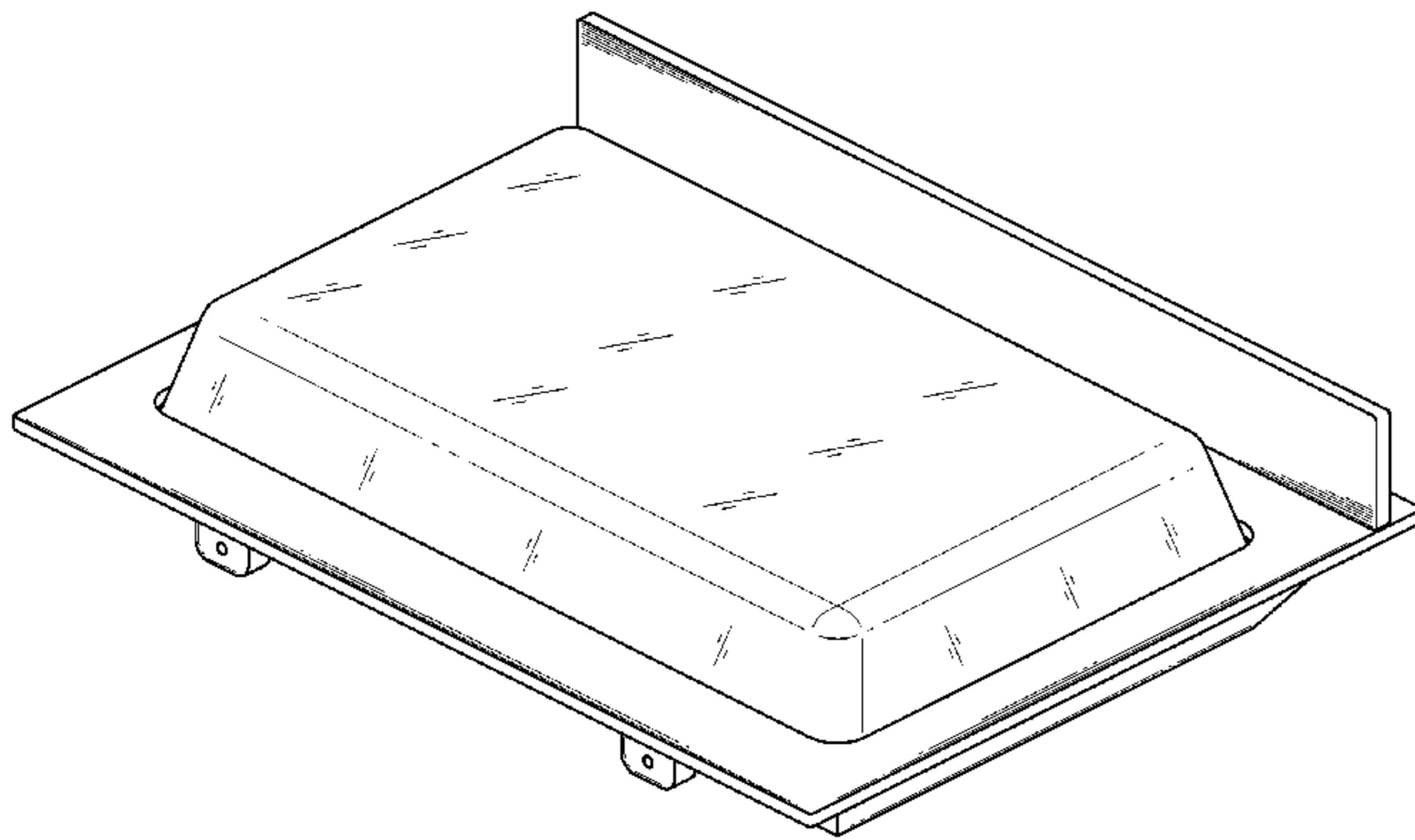
FIG. 4 is a left-side, elevational view thereof.

FIG. 5 is a right-side, elevational view thereof.

FIG. 6 is a top plan view thereof; and,

FIG. 7 is a bottom plan view thereof.

1 Claim, 7 Drawing Sheets



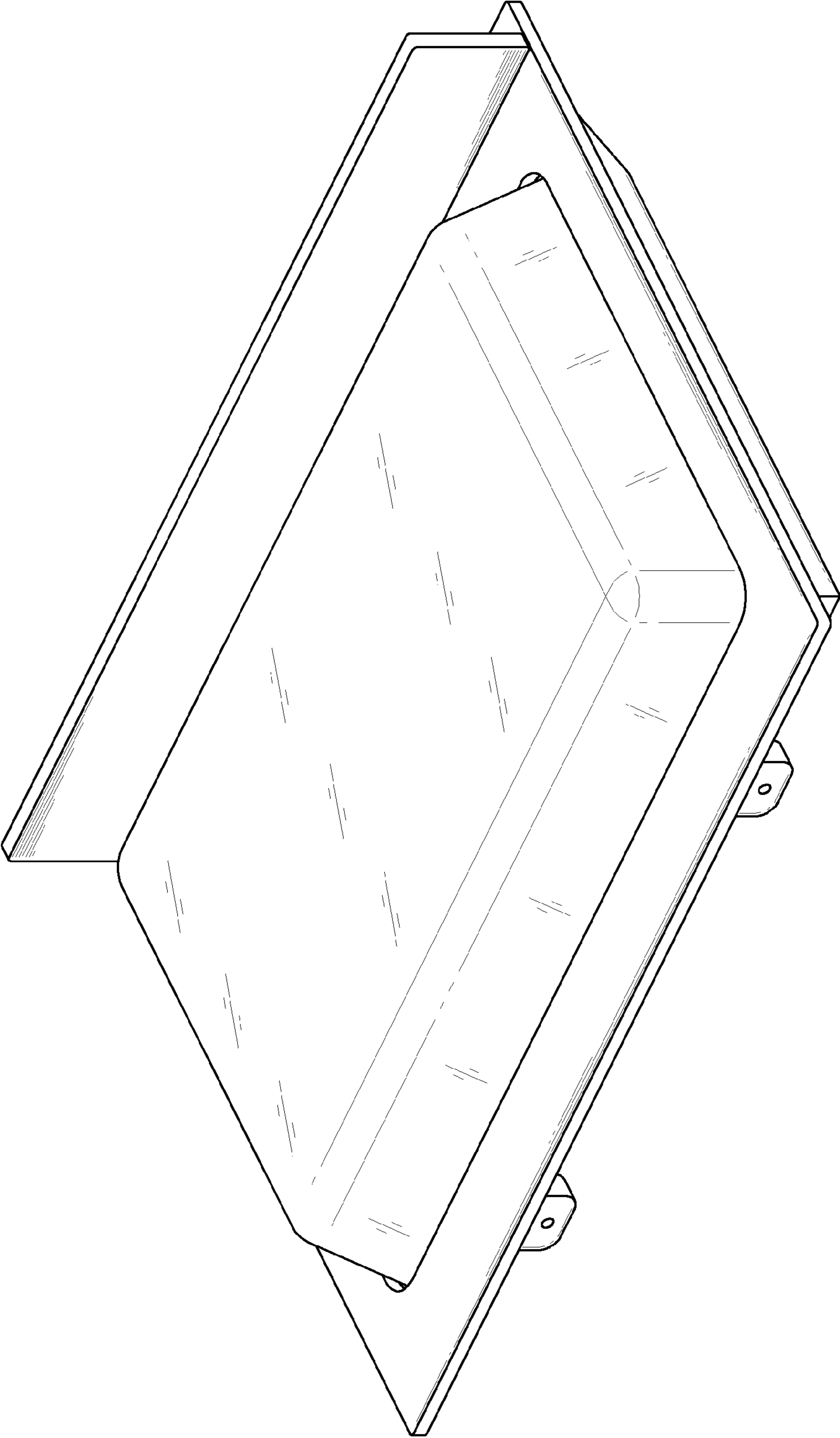


FIG. 1

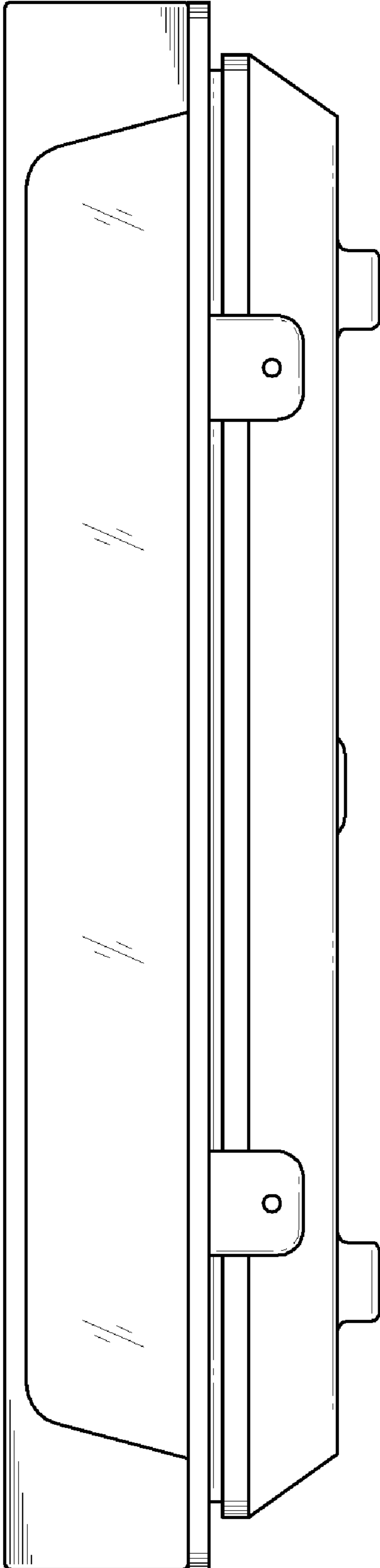


FIG. 2

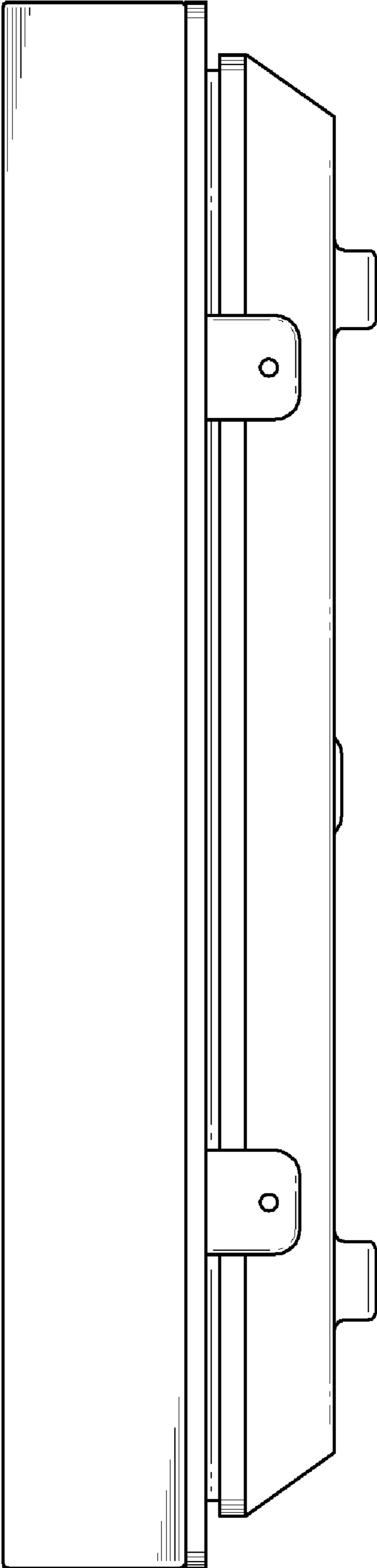


FIG. 3

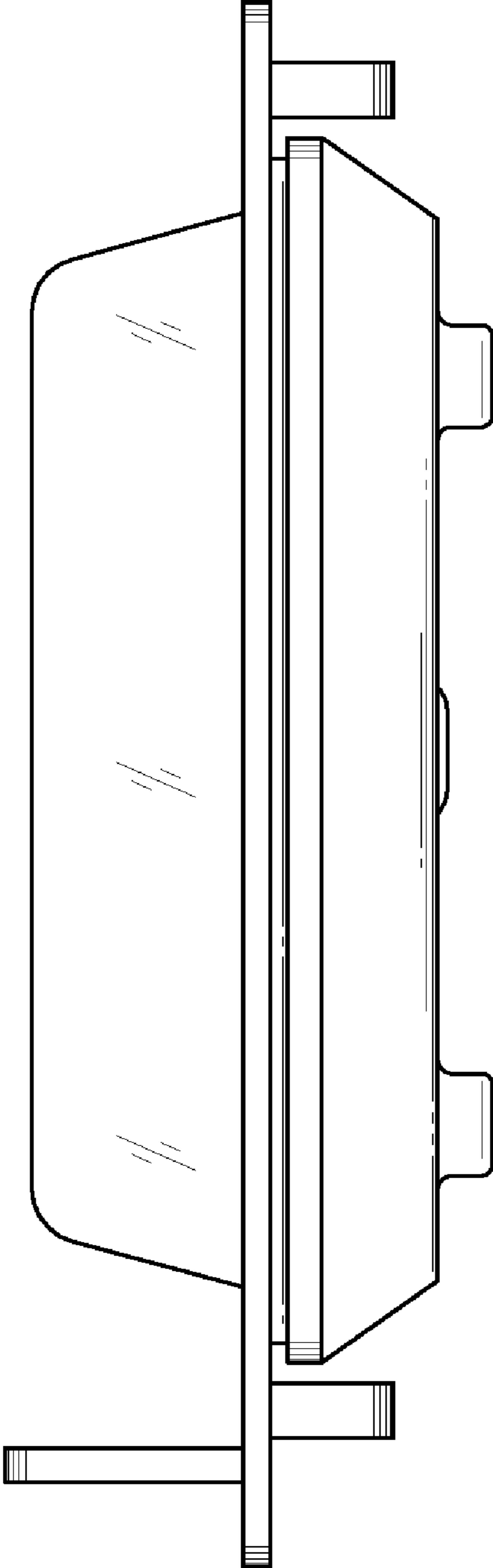


FIG. 4

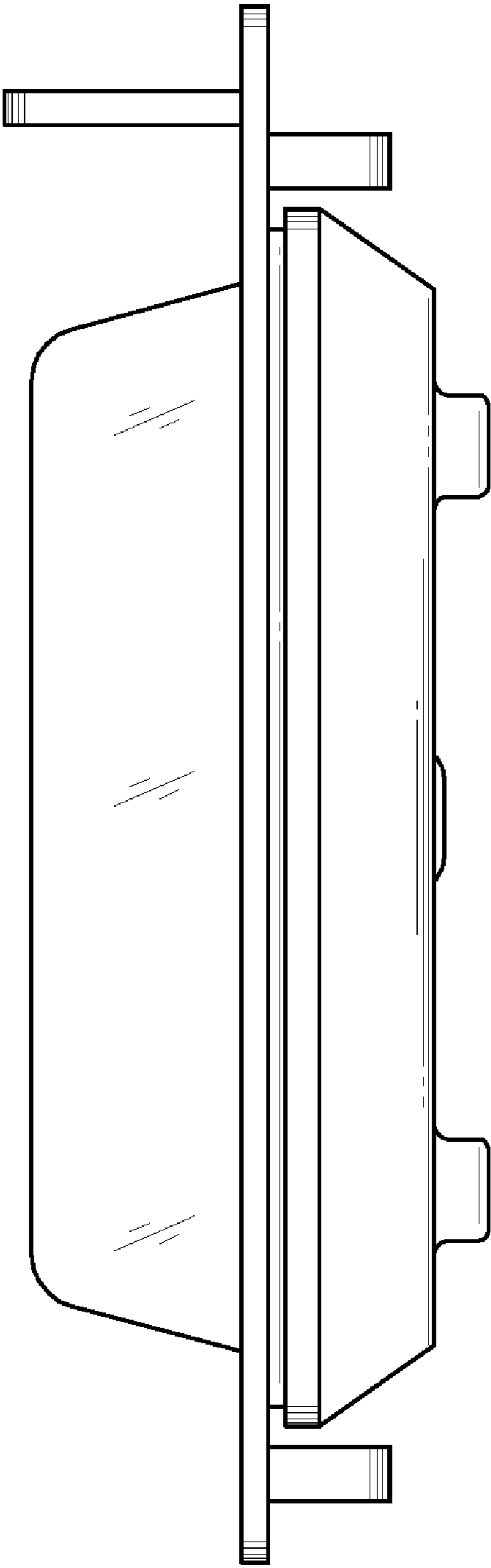


FIG. 5

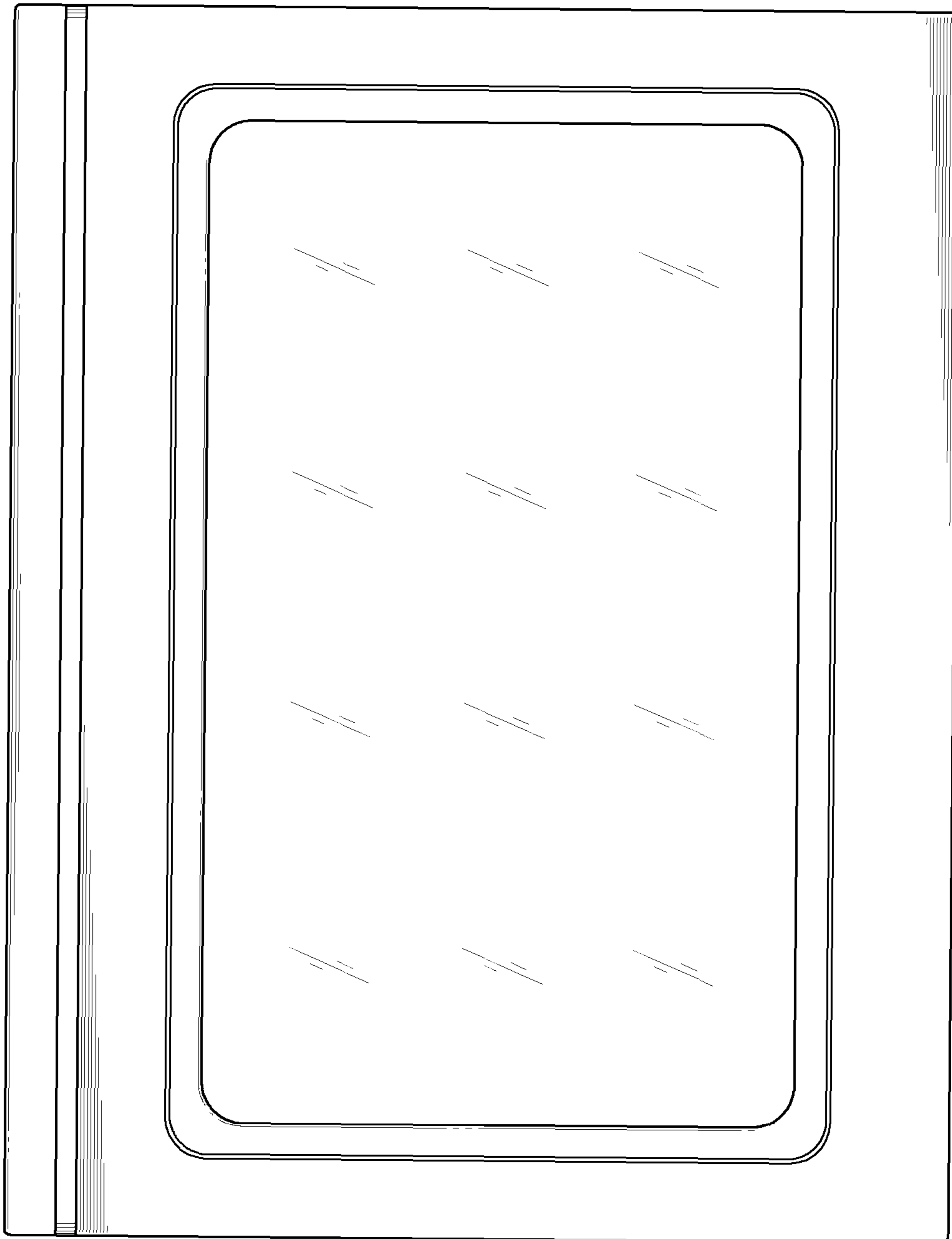


FIG. 6

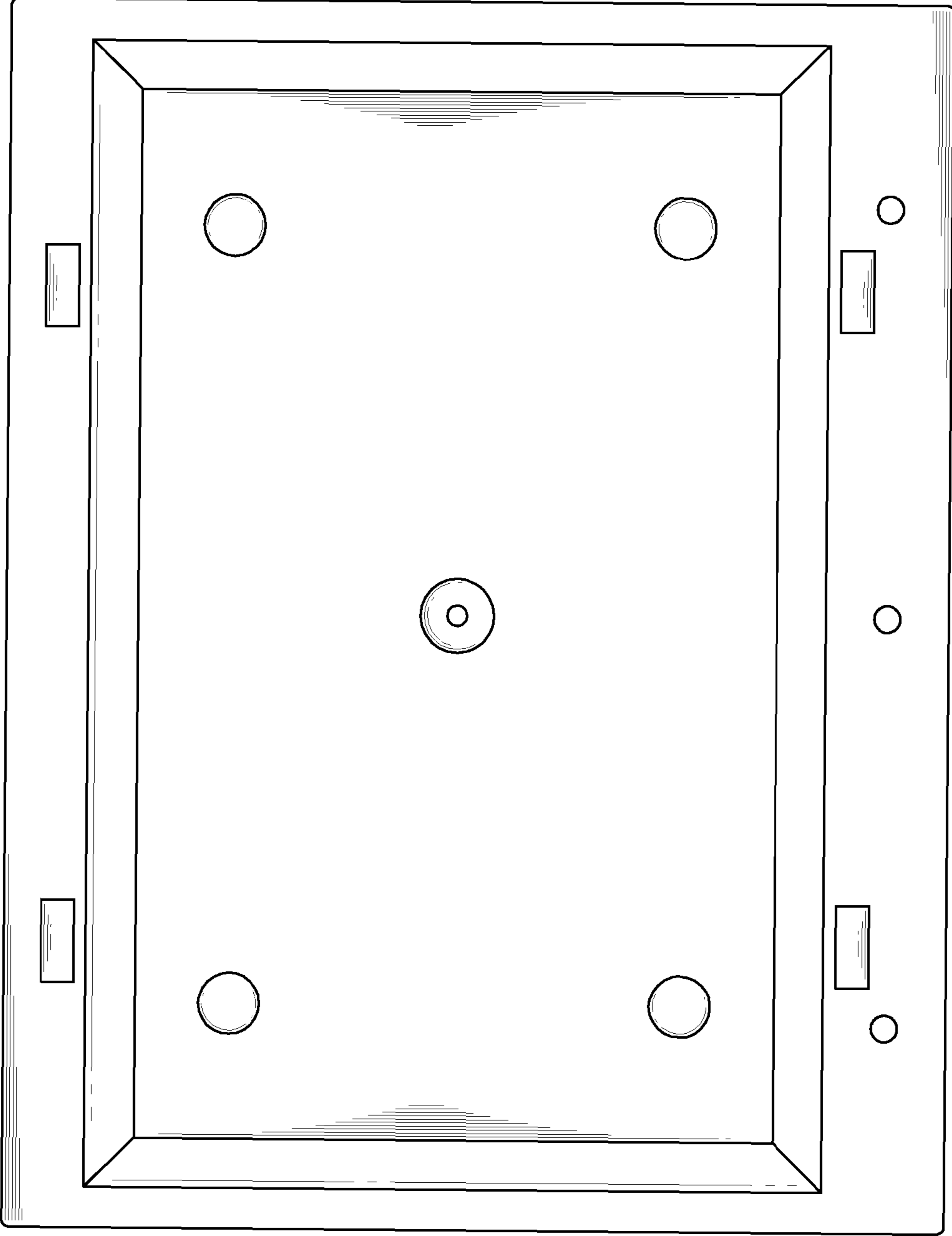


FIG. 7