



US00D638567S

(12) **United States Design Patent**
Bobel

(10) **Patent No.:** **US D638,567 S**

(45) **Date of Patent:** **** May 24, 2011**

(54) **TUNNEL LIGHT FIXTURE**

(76) Inventor: **Andrzej Bobel**, Lake Forest, IL (US)

(**) Term: **14 Years**

(21) Appl. No.: **29/349,211**

(22) Filed: **Mar. 17, 2010**

(51) **LOC (9) Cl.** **26-03**

(52) **U.S. Cl.** **D26/79**

(58) **Field of Classification Search** D26/72,
D26/74, 75, 76, 77, 78, 79, 80, 81, 82, 83,
D26/84, 85, 86, 88, 89, 90, 91, 1, 2, 3, 24,
D26/56; D13/180, 182; 362/555, 576, 147,
362/150, 217.01, 219, 217.02, 217.03, 217.04,
362/217.05, 217.08, 217.09, 260, 364, 365,
362/366, 404, 800

See application file for complete search history.

(56) **References Cited**

U.S. PATENT DOCUMENTS

D123,768 S * 12/1940 Scribner D26/78
D306,773 S * 3/1990 Roulstone D26/78

D374,301 S * 10/1996 Kleffman D26/76
D387,461 S * 12/1997 Schadt D26/75
D406,916 S * 3/1999 Klaus D26/72
D428,105 S * 7/2000 Holcombe D22/134
D589,199 S * 3/2009 Pedersen D26/85
D621,085 S * 8/2010 Kochanski et al. D26/76

* cited by examiner

Primary Examiner — Angela J Lee

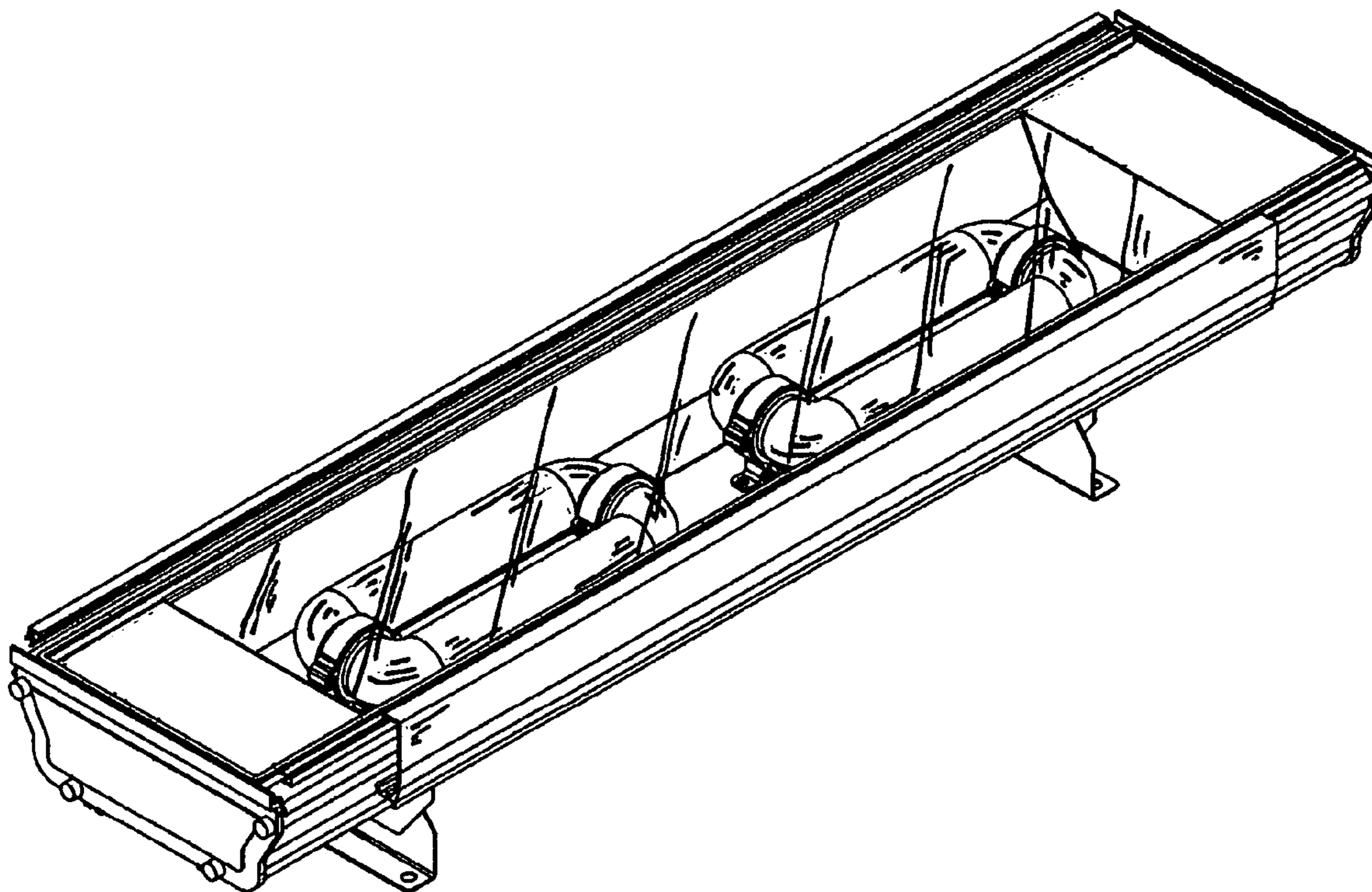
(57) **CLAIM**

The ornamental design for a tunnel light fixture, as shown and described.

DESCRIPTION

FIG. 1 is a top view of the fixture;
FIG. 2 is a length side view of the fixture;
FIG. 3 is a width side view thereof;
FIG. 4 is a cross-sectional view thereof taken at the line 4—4 shown in FIG. 1.
FIG. 5 is top isometric view thereof; and,
FIG. 6 is an exploded view thereof.

1 Claim, 6 Drawing Sheets



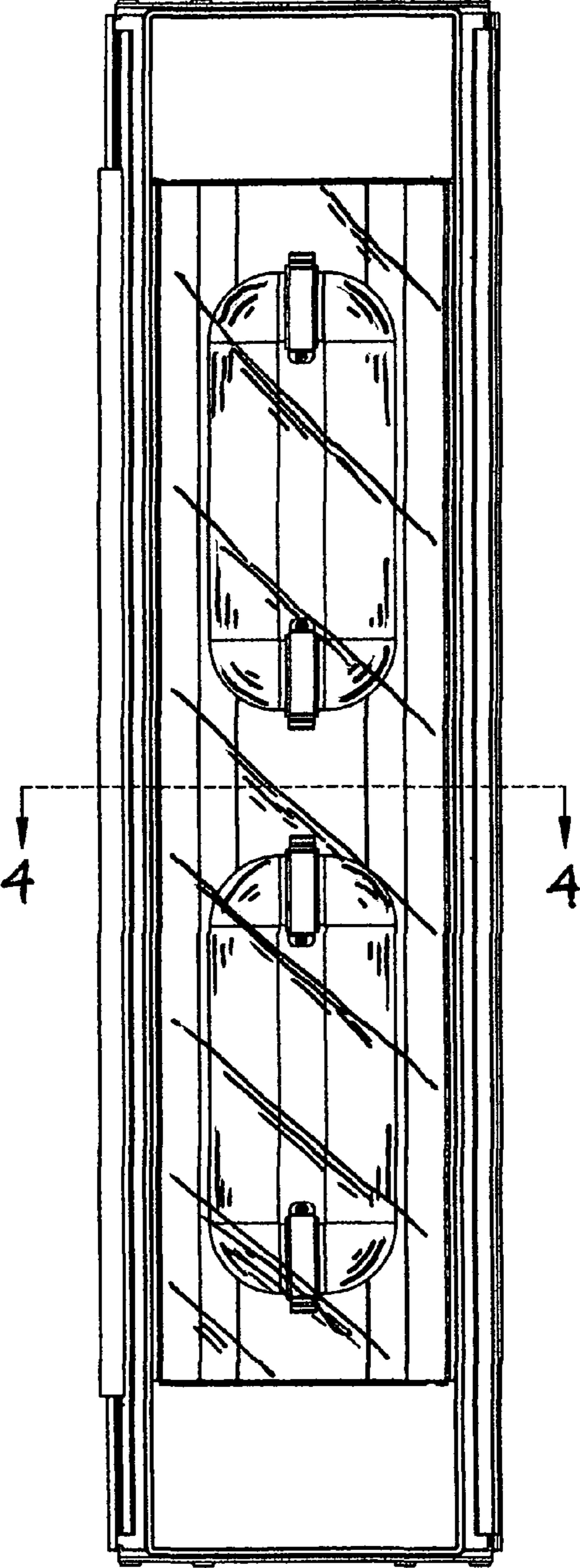


Fig. 1

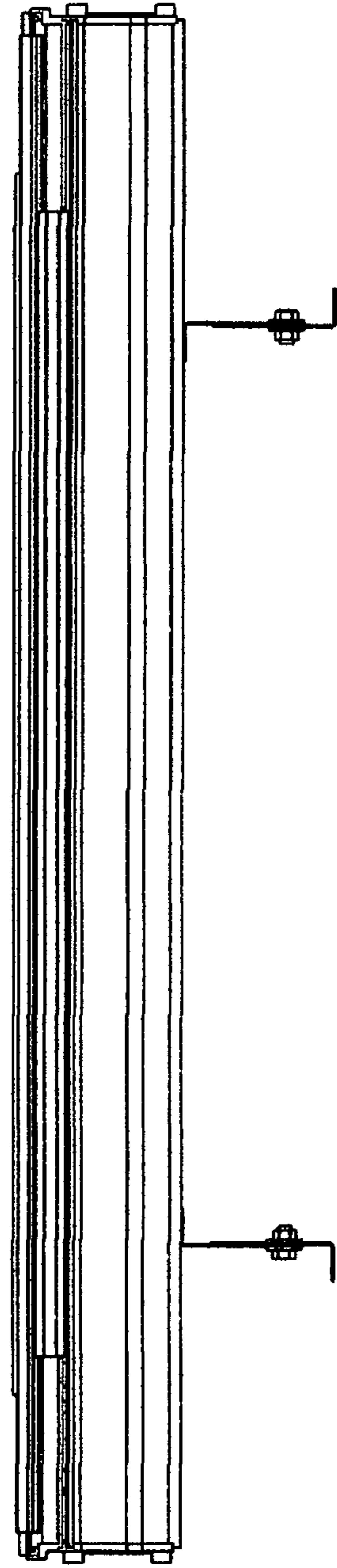


Fig. 2

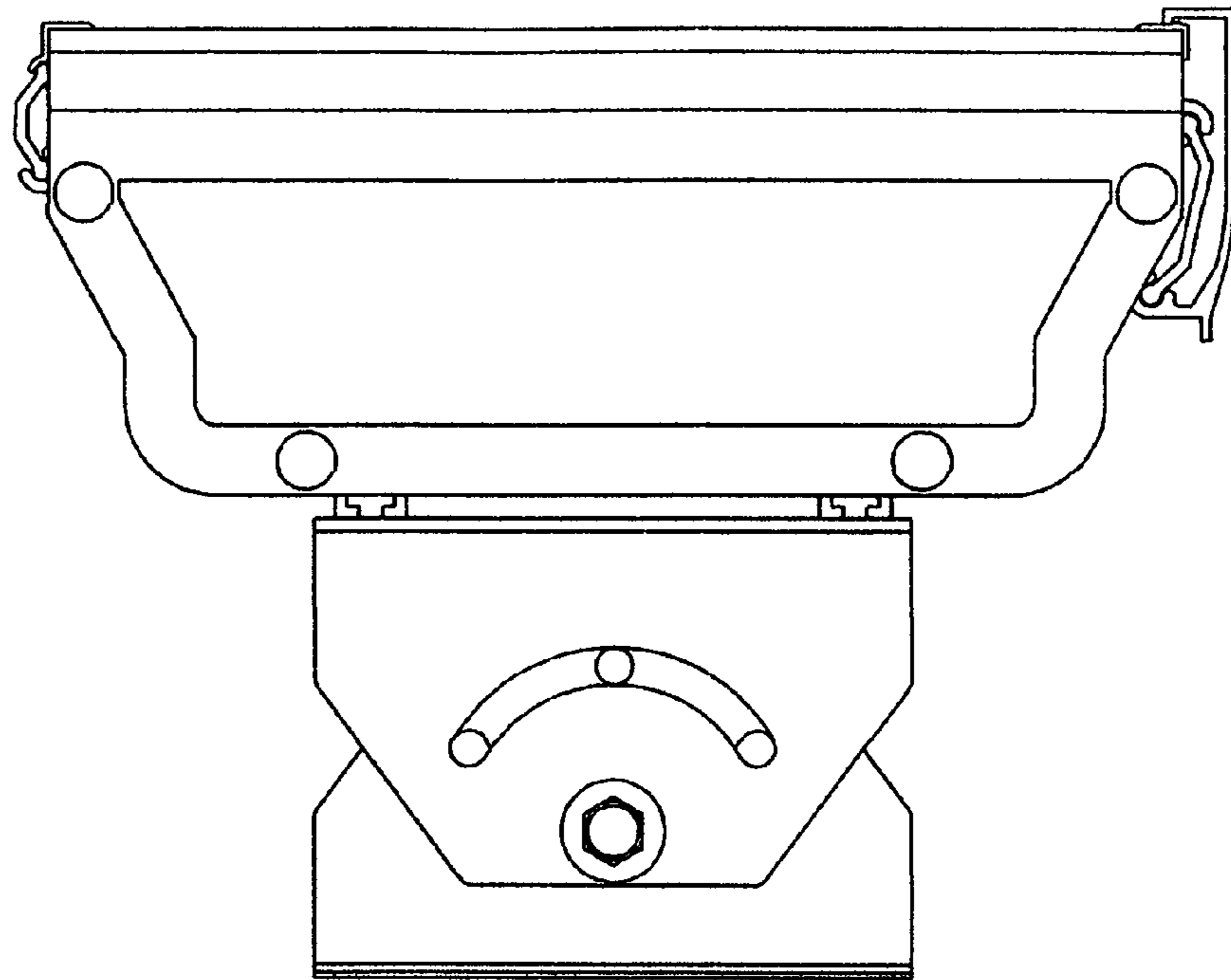


Fig. 3

4-4

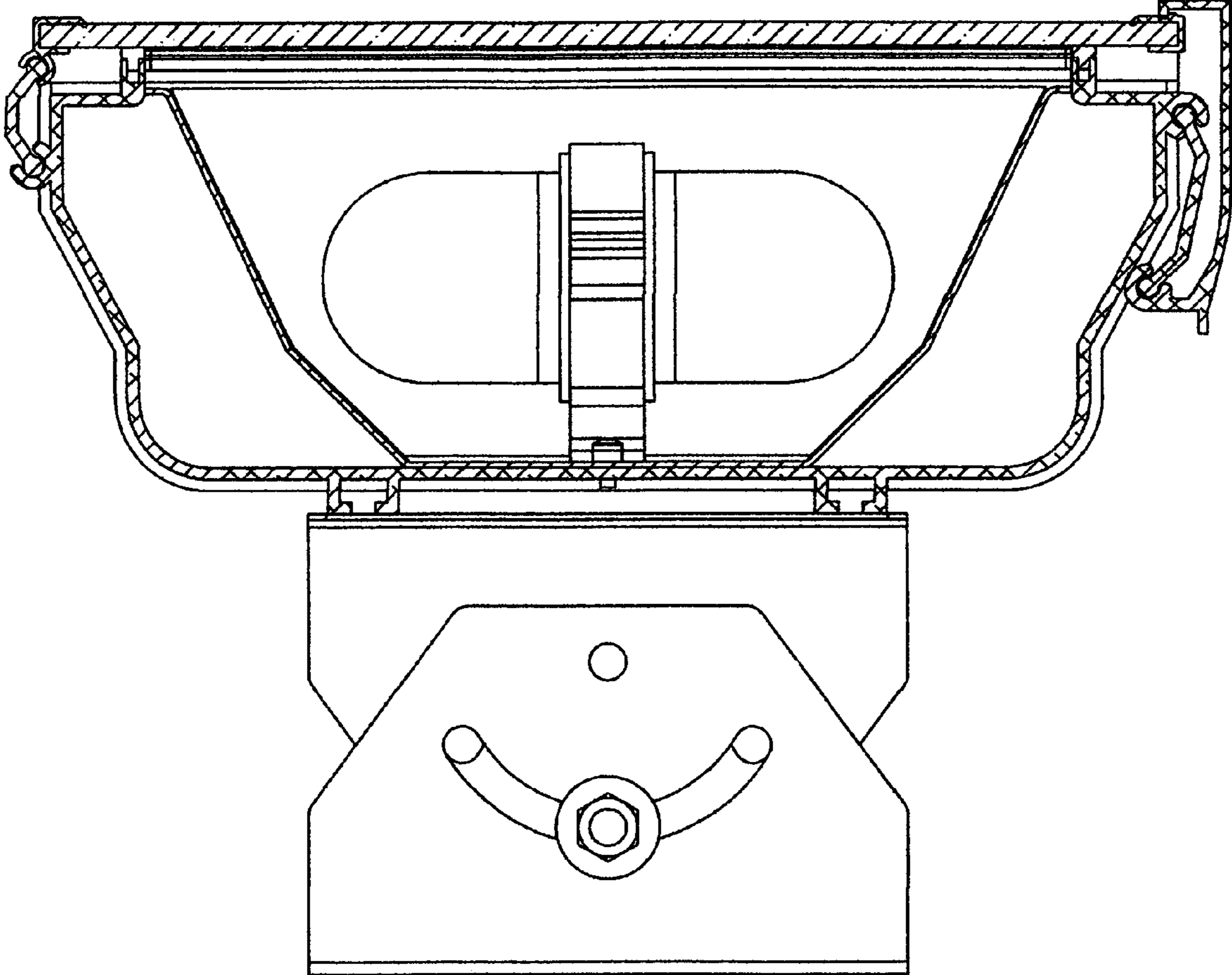


Fig. 4

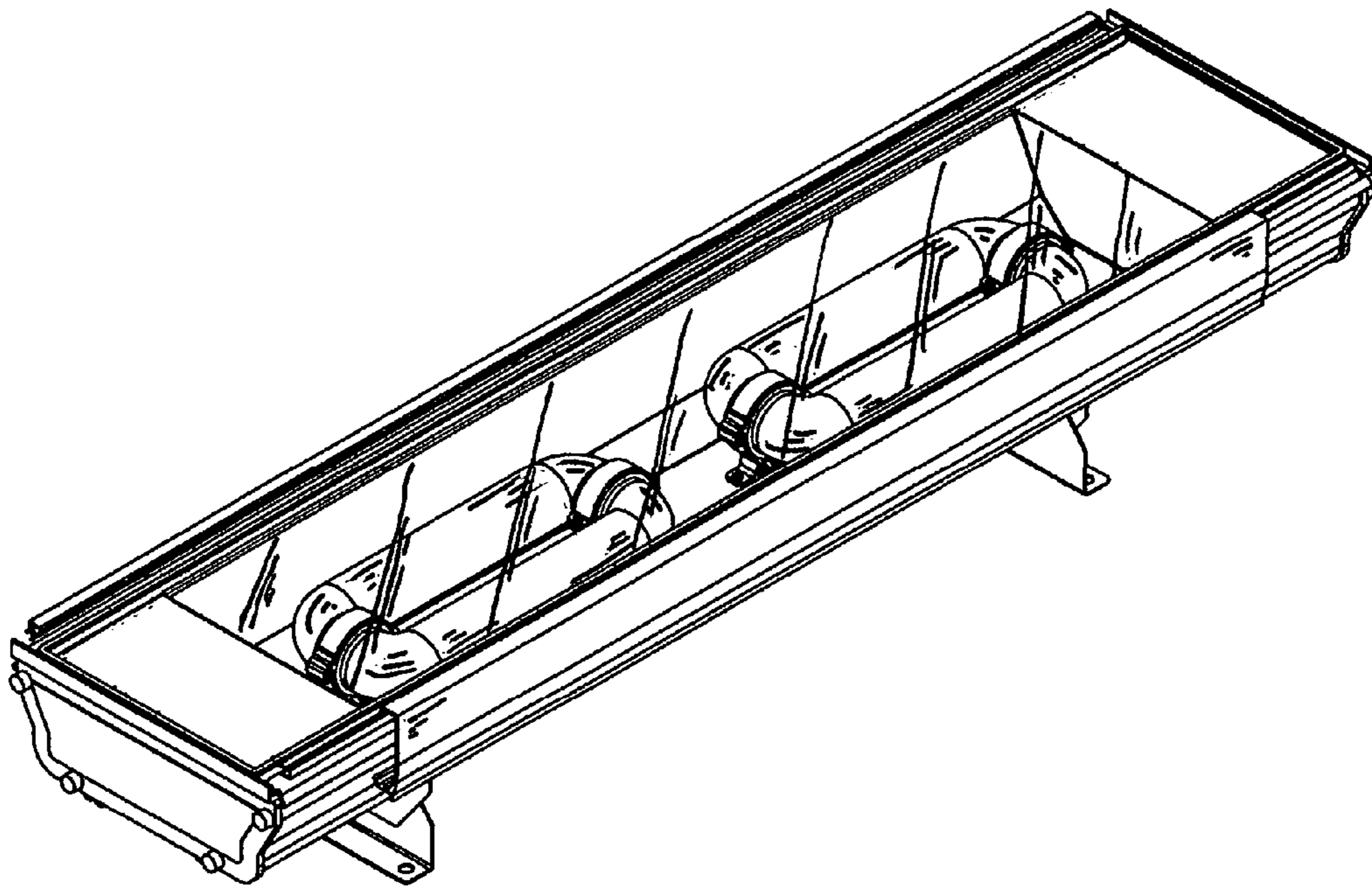


Fig. 5

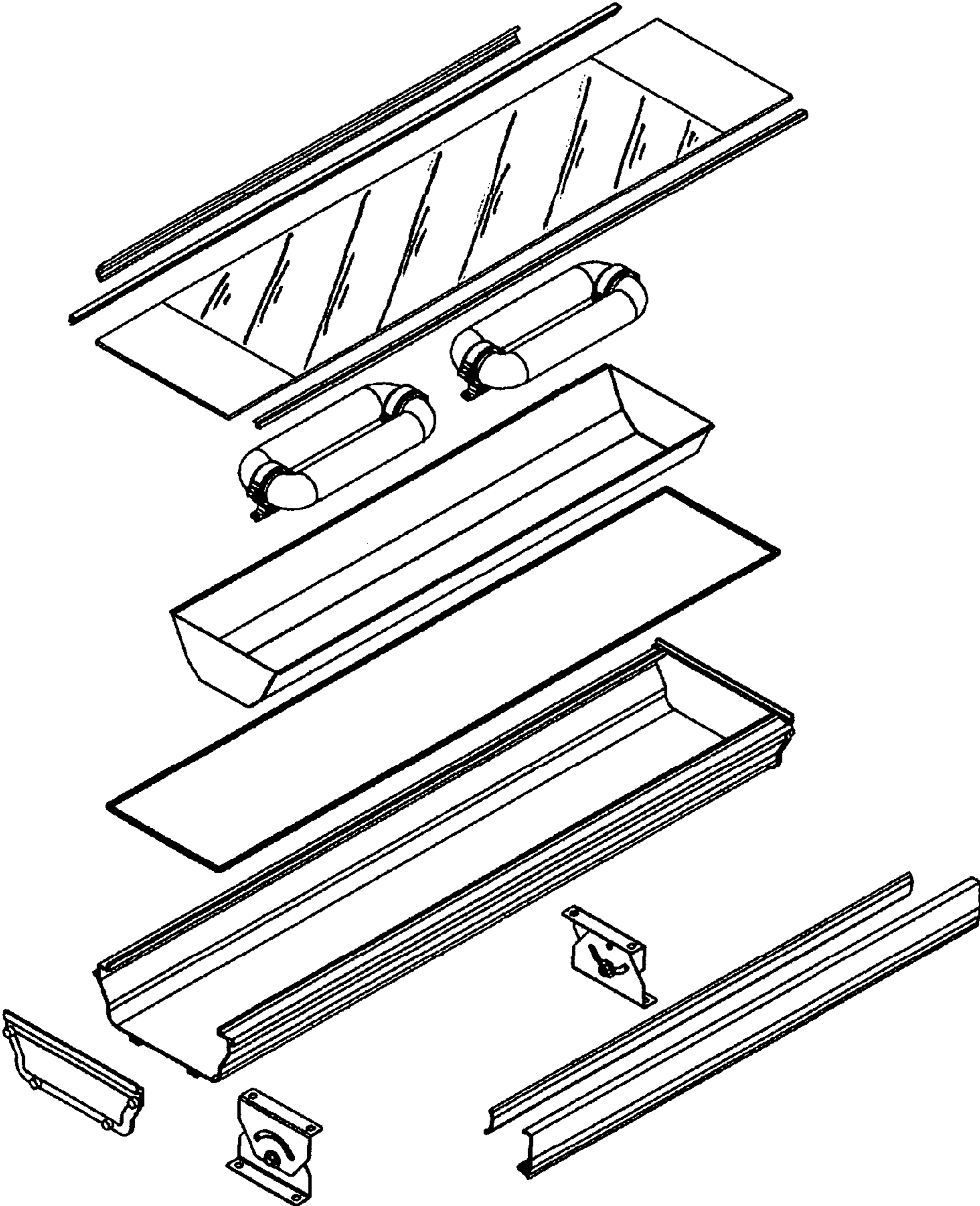


Fig. 6