



US00D638566S

(12) **United States Design Patent**
Goelz et al.

(10) **Patent No.:** **US D638,566 S**

(45) **Date of Patent:** **** May 24, 2011**

(54) **LIGHTING FIXTURE**

(75) Inventors: **David P. Goelz**, Milwaukee, WI (US);
Don Miletich, Franklin, WI (US)

(73) Assignee: **Ruud Lighting, Inc.**, Racine, WI (US)

(**) Term: **14 Years**

(21) Appl. No.: **29/359,365**

(22) Filed: **Apr. 9, 2010**

(51) **LOC (9) Cl.** **26-05**

(52) **U.S. Cl.** **D26/75**

(58) **Field of Classification Search** D26/72,
D26/74, 75, 76, 77, 78, 79, 80, 81, 82, 83,
D26/84, 85, 86, 88, 89, 90, 91, 1, 2, 3, 24,
D26/56; D13/180, 182; 362/555, 576, 147,
362/150, 217.01, 219, 217.02, 217.03, 217.04,
362/217.05, 217.08, 217.09, 260, 364, 365,
362/366, 404, 800

See application file for complete search history.

(56) **References Cited**

U.S. PATENT DOCUMENTS

| | | | | |
|-------------------|---------|-----------------|-------|---------|
| D381,734 S * | 7/1997 | Murphy | | D22/134 |
| D457,664 S * | 5/2002 | Moriyama et al. | | D26/3 |
| D543,305 S * | 5/2007 | Wang | | D26/60 |
| D589,199 S * | 3/2009 | Pedersen | | D26/85 |
| D589,638 S * | 3/2009 | Collins | | D26/72 |
| D595,444 S * | 6/2009 | Shimomura | | D26/76 |
| D601,726 S * | 10/2009 | Mollaert et al. | | D26/3 |
| D603,079 S * | 10/2009 | Toot et al. | | D26/76 |
| 7,611,260 B1 * | 11/2009 | Lin et al. | | 362/224 |
| D606,673 S * | 12/2009 | Kao | | D26/3 |
| D607,599 S * | 1/2010 | Zhou et al. | | D26/80 |
| D611,643 S * | 3/2010 | Owen | | D26/76 |
| 2009/0290334 A1 * | 11/2009 | Ivey et al. | | 362/219 |

* cited by examiner

Primary Examiner — Angela J Lee

(74) *Attorney, Agent, or Firm* — Jansson Shupe & Munger Ltd.

(57) **CLAIM**

The ornamental design for a light fixture, as shown and described.

DESCRIPTION

FIG. 1 is a front perspective view of a light fixture, the details in the front of the middle portion of the fixture and in side portions and base portions of support members being shown in phantom lines;

FIG. 2 is a side perspective view of the light fixture of FIG. 1;

FIG. 3 is a front elevation of the light fixture of FIG. 1;

FIG. 4 is a rear elevation of the light fixture of FIG. 1;

FIG. 5 is a right-side elevation of the light fixture of FIG. 1, the left-side elevation being a mirror image thereof;

FIG. 6 is an end plan view of the light fixture of FIG. 1;

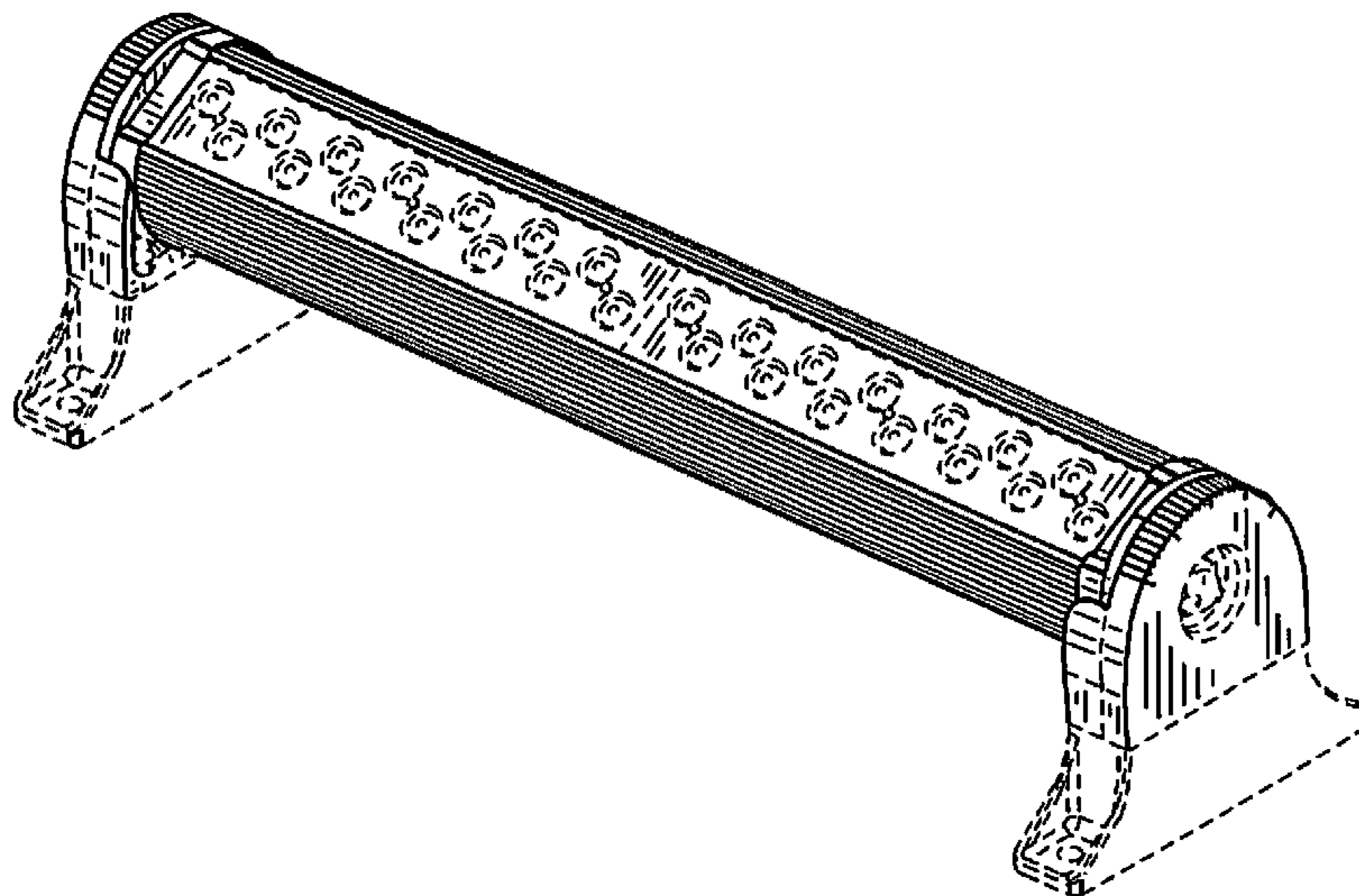
FIG. 7 is a front perspective view of the light fixture of a second embodiment of the design of FIG. 1, the only difference being in a greater length of the middle portion, the details in the front of the middle portion of the fixture and in side portions and base portions of support members being shown in phantom lines;

FIG. 8 is a front perspective view of the light fixture of a third embodiment of the design of FIG. 1, the only difference being in a shorter length of the middle portion, the details in the front of the middle portion of the fixture and in side portions and base portions of support members being shown in phantom lines; and,

FIG. 9 is a front perspective view of the light fixture of a fourth embodiment of the design of FIG. 1, the only difference being in extended feet of the support members, the details in the front of the middle portion of the fixture and in side portions and base portions of support members being shown in phantom lines.

The phantom lines are provided for illustrative purposes only and form no part of the claimed design.

1 Claim, 5 Drawing Sheets



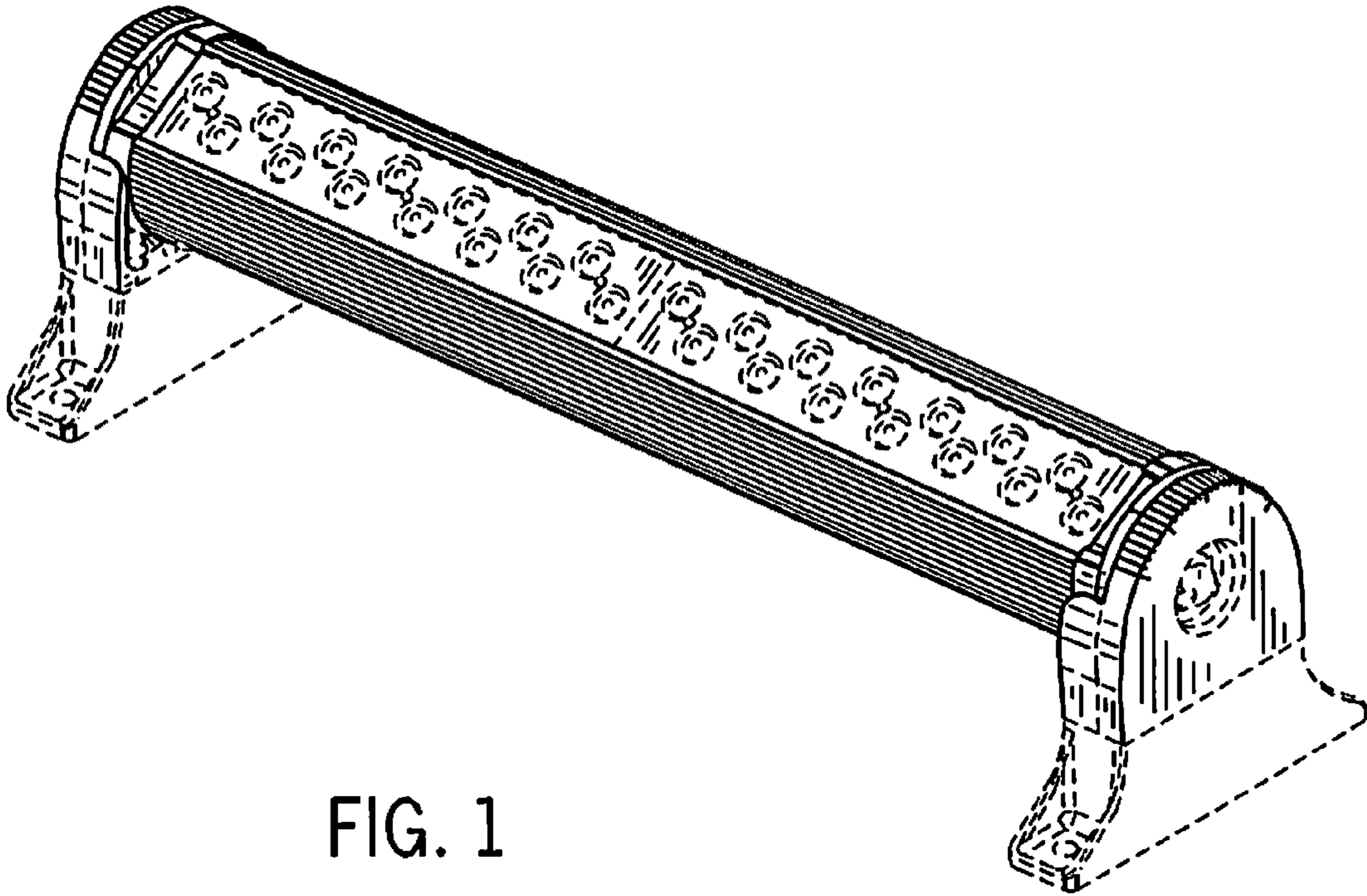


FIG. 1

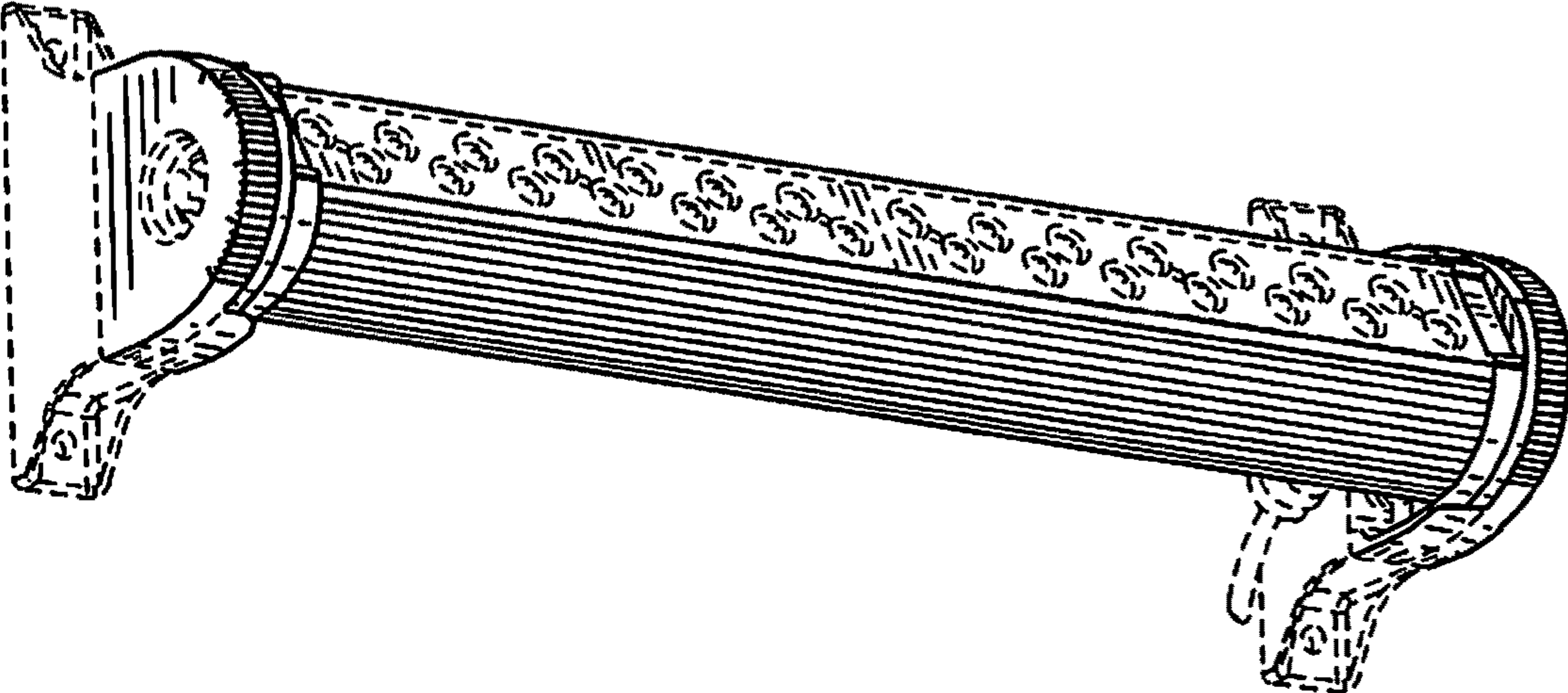


FIG. 2

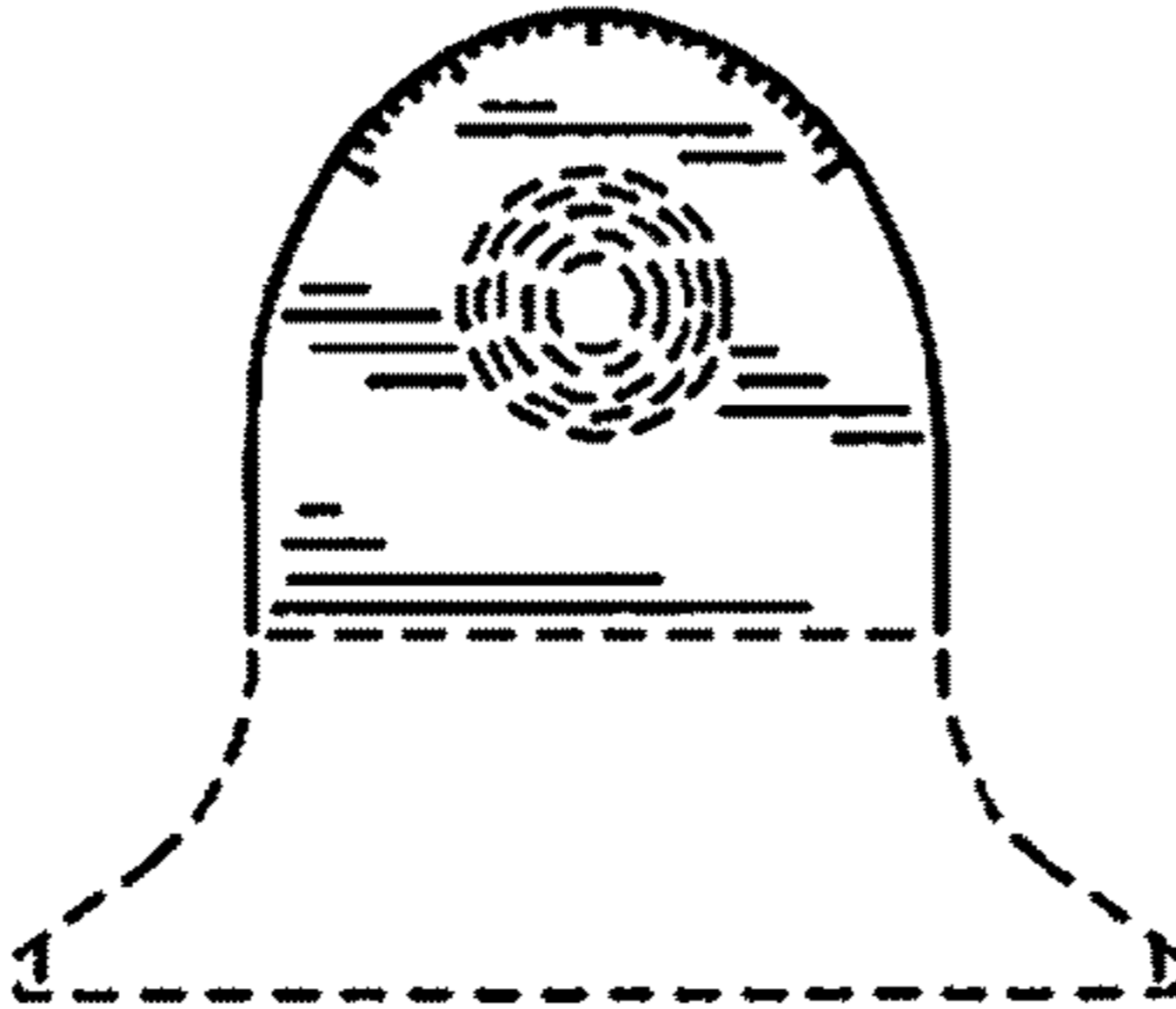


FIG. 6

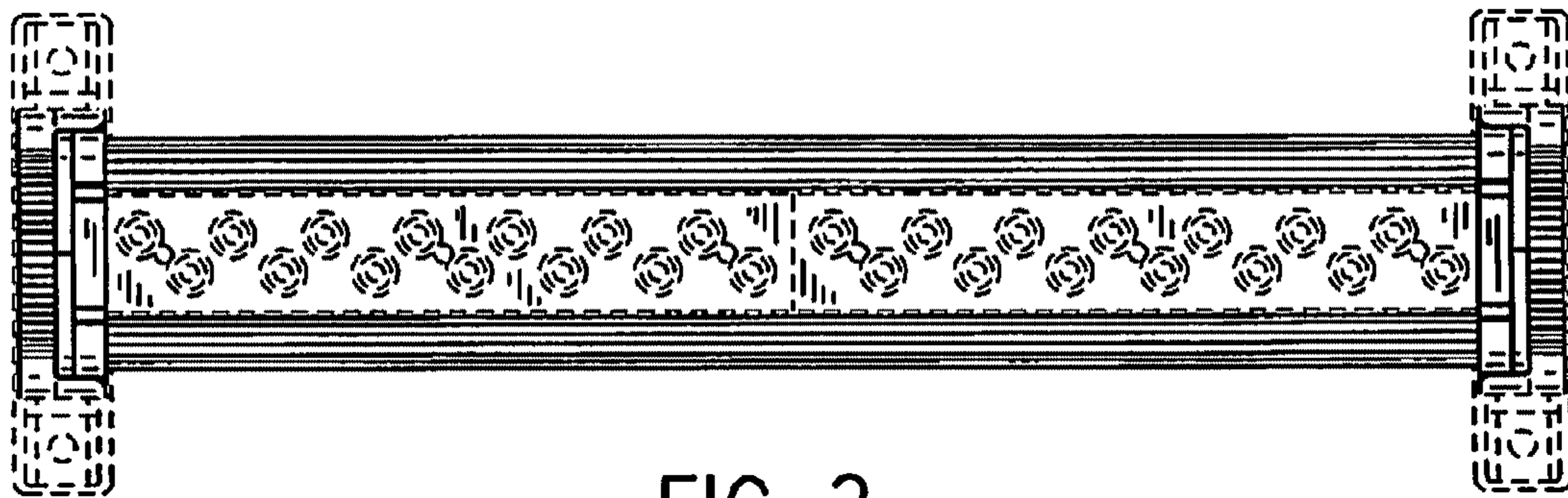


FIG. 3

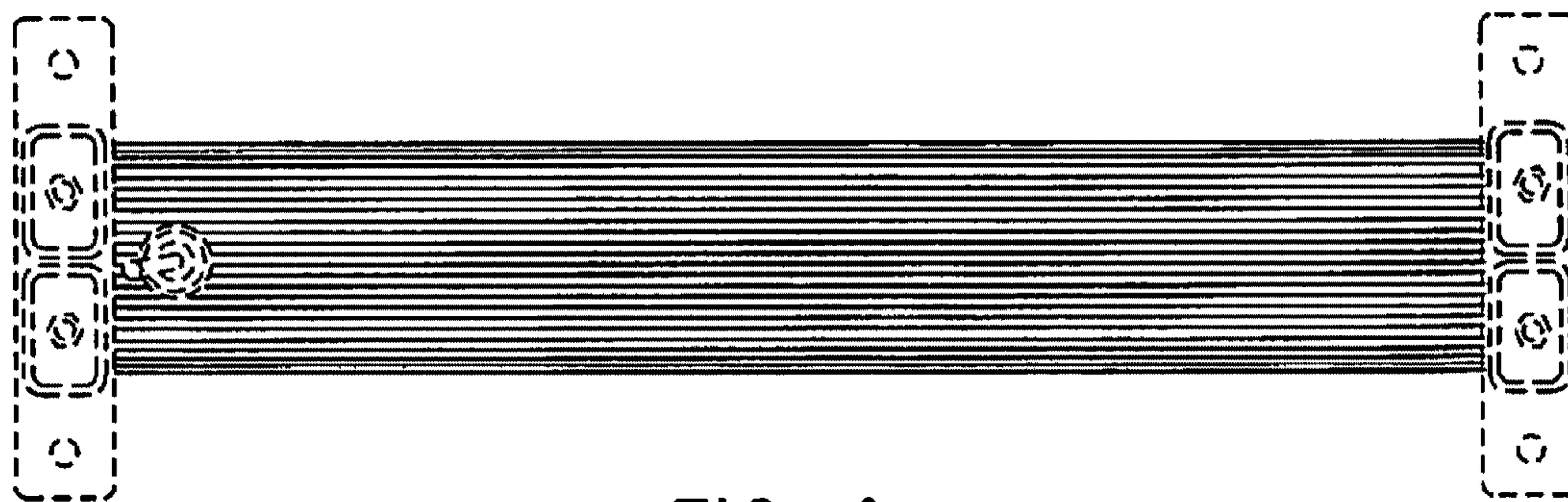


FIG. 4

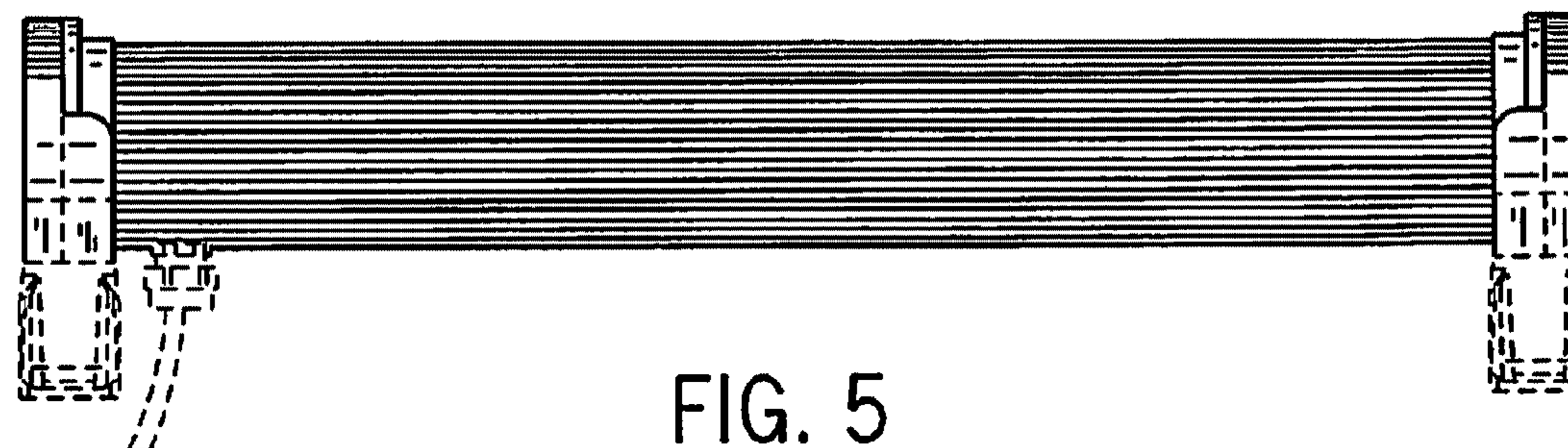


FIG. 5

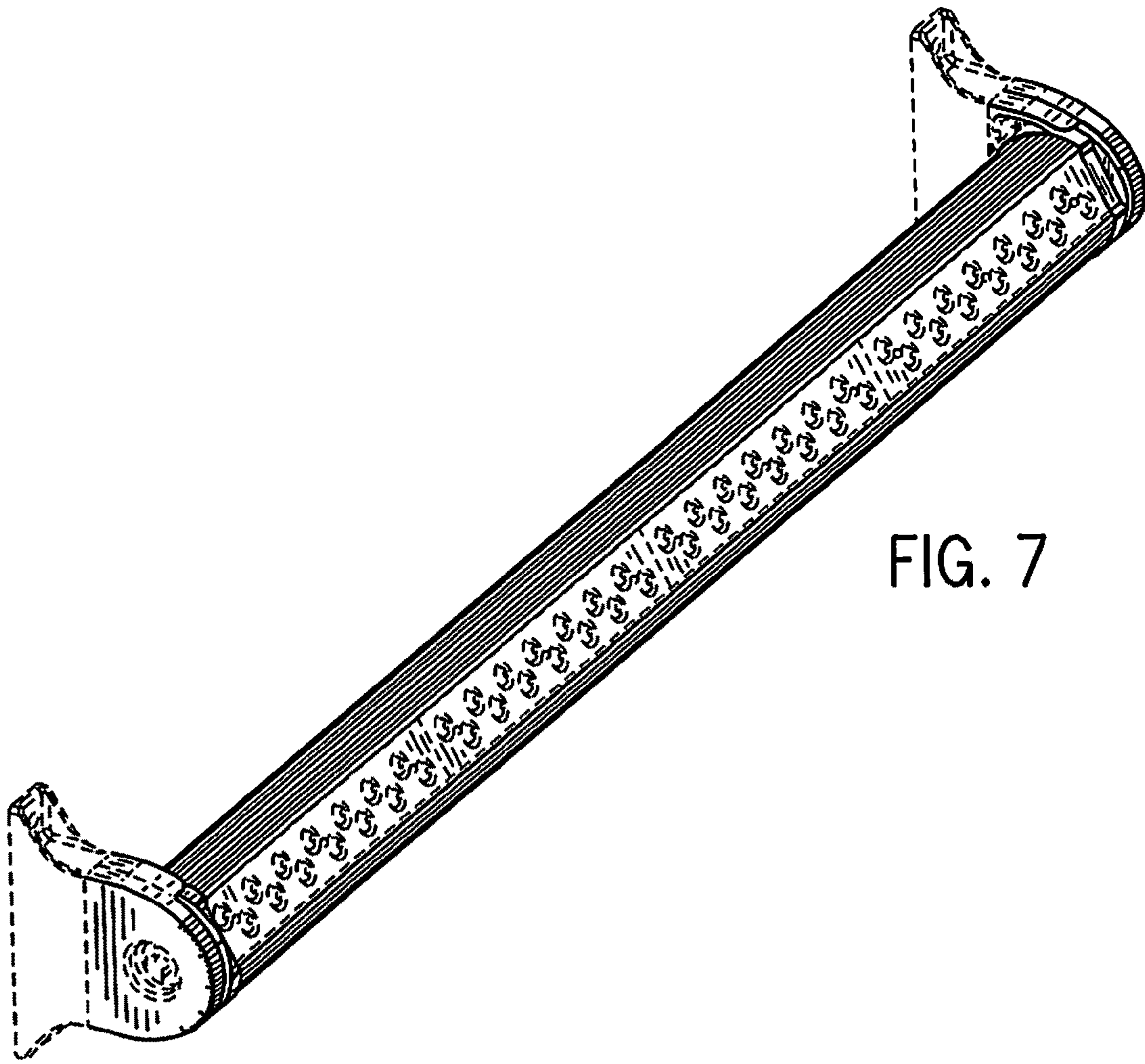


FIG. 7

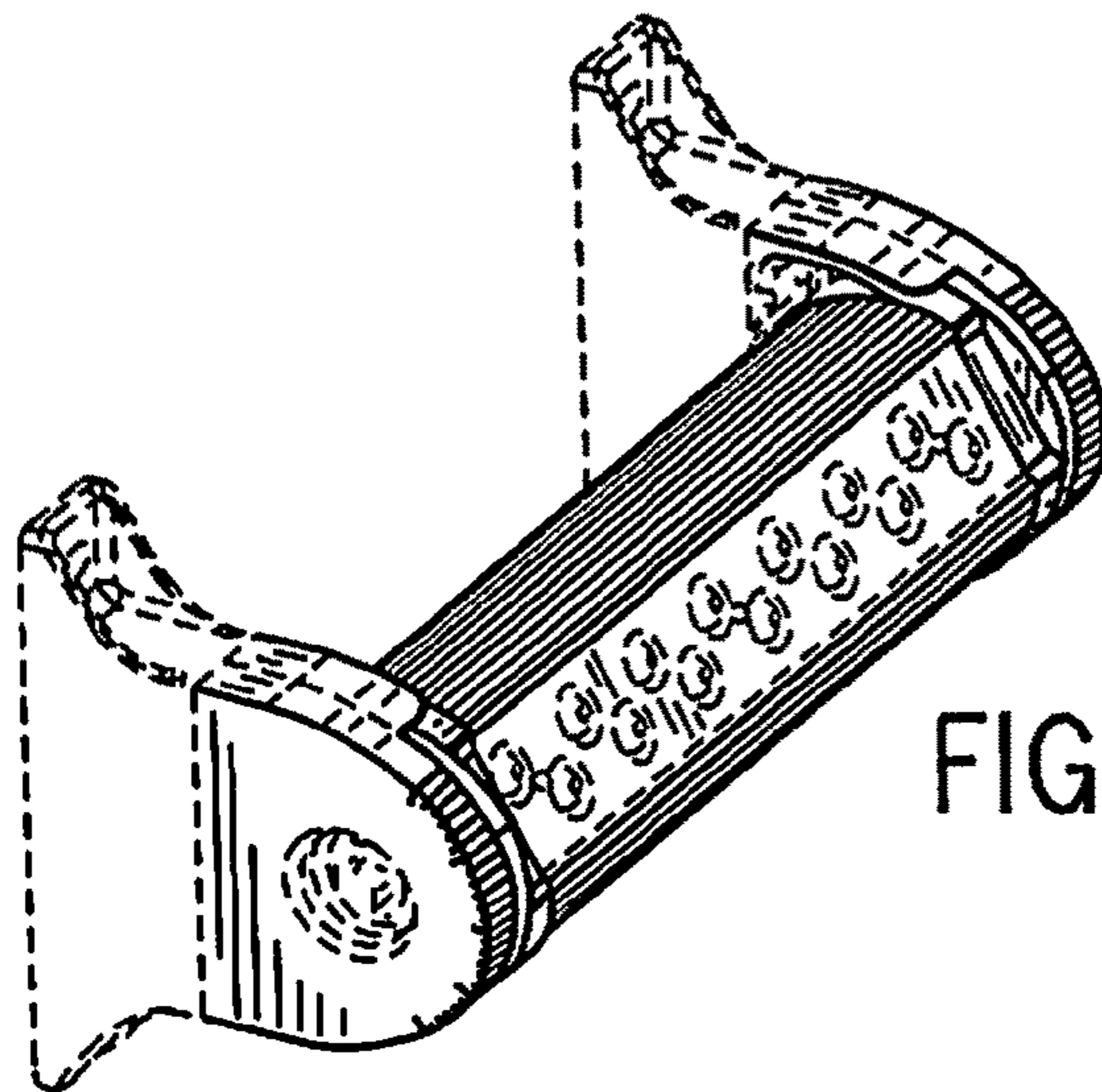


FIG. 8

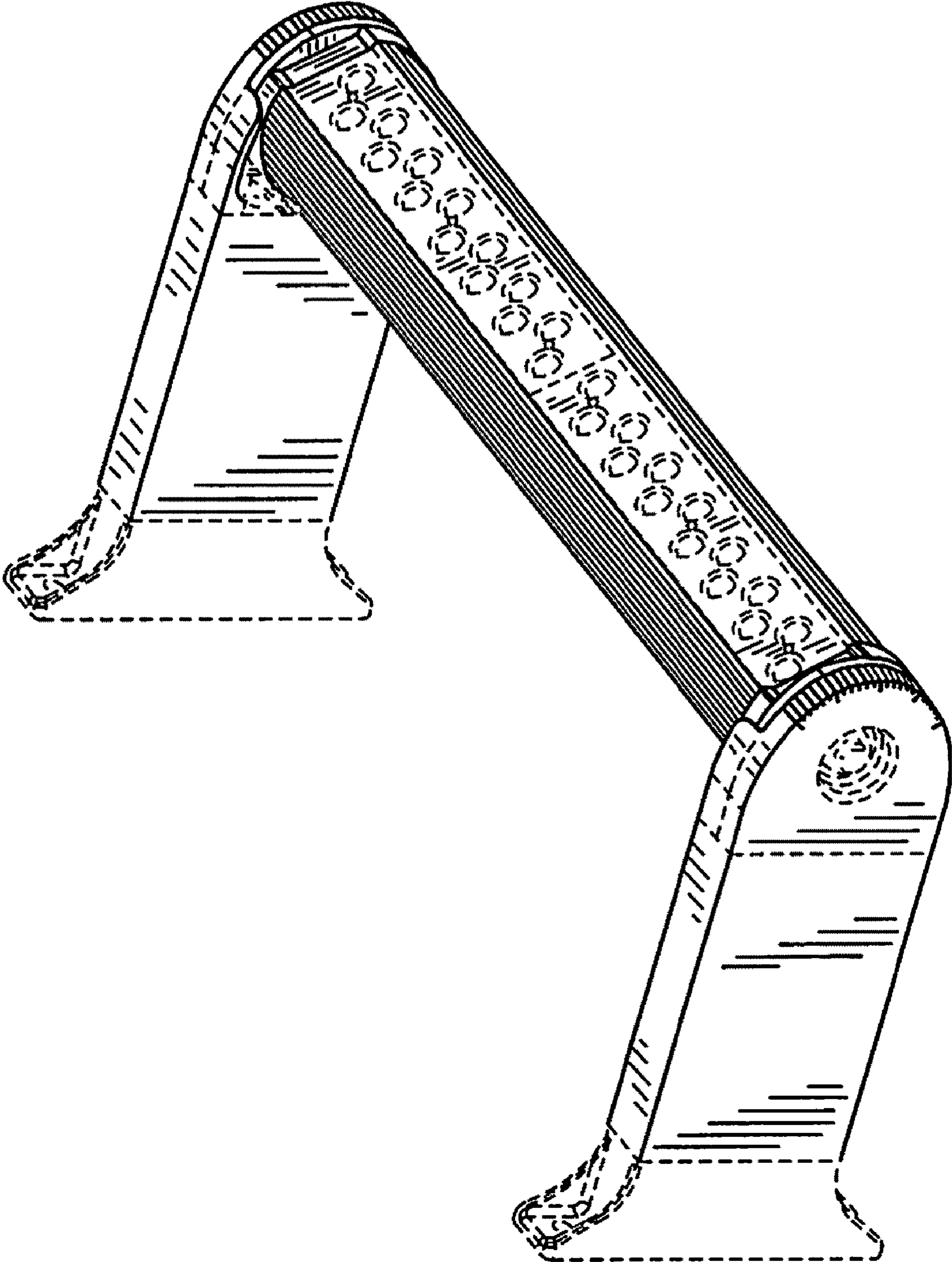


FIG. 9