



US00D638563S

(12) **United States Design Patent**  
**Sun**

(10) **Patent No.:** **US D638,563 S**

(45) **Date of Patent:** **\*\* May 24, 2011**

(54) **PORTABLE LAMP**

(76) Inventor: **Yikai Sun**, Shenzhen (CN)

(\*\*) Term: **14 Years**

(21) Appl. No.: **29/358,876**

(22) Filed: **Apr. 1, 2010**

(30) **Foreign Application Priority Data**

Mar. 12, 2010 (CN) ..... 2010 3 0124588

(51) **LOC (9) Cl.** ..... **26-02**

(52) **U.S. Cl.** ..... **D26/48**

(58) **Field of Classification Search** ..... D26/44,  
D26/45, 46, 48, 50; 362/157, 158, 171, 184,  
362/187-189, 194-199, 208

See application file for complete search history.

(56) **References Cited**

**U.S. PATENT DOCUMENTS**

D430,323 S *	8/2000	Yuen	.....	D26/46
D438,317 S *	2/2001	Yuen	.....	D26/48
D453,047 S *	1/2002	Yuen	.....	D26/44
D459,822 S *	7/2002	Poon	.....	D26/48
D466,637 S *	12/2002	Gisser	.....	D26/45
D467,673 S *	12/2002	Yuen	.....	D26/45
D508,578 S *	8/2005	Shen	.....	D26/45
D520,165 S *	5/2006	Yuen	.....	D26/46
D531,745 S *	11/2006	Yuen	.....	D26/46
D533,289 S *	12/2006	Yuen	.....	D26/46
D536,815 S *	2/2007	Yuen	.....	D26/46
D537,184 S *	2/2007	Yuen	.....	D26/46
D538,958 S *	3/2007	Yuen	.....	D26/46
D542,954 S *	5/2007	Yuen	.....	D26/46
D544,122 S *	6/2007	Yuen	.....	D26/46

D548,866 S *	8/2007	Yuen	.....	D26/46
D563,578 S *	3/2008	Moser	.....	D26/45
D566,870 S *	4/2008	Yuen	.....	D26/48
D599,926 S *	9/2009	Schoch	.....	D26/45
D618,837 S *	6/2010	Leung et al.	.....	D26/45

\* cited by examiner

*Primary Examiner* — Ian Simmons

*Assistant Examiner* — Carissa C Fitts

(57) **CLAIM**

The ornamental design for a portable lamp, as shown and described.

**DESCRIPTION**

FIG. 1 is a perspective view of a portable lamp showing my new design;

FIG. 2 is a rear side view of the portable lamp shown in FIG. 1;

FIG. 3 is a top view of the portable lamp depicted in FIG. 1; FIG. 4 is a bottom view of a portable lamp depicted in FIG. 1; FIG. 5 is a left side elevational view of the portable lamp shown in FIG. 1;

FIG. 6 is a right side elevational view of the portable lamp shown in FIG. 1;

FIG. 7 is a front side view of the portable lamp shown in FIG. 1;

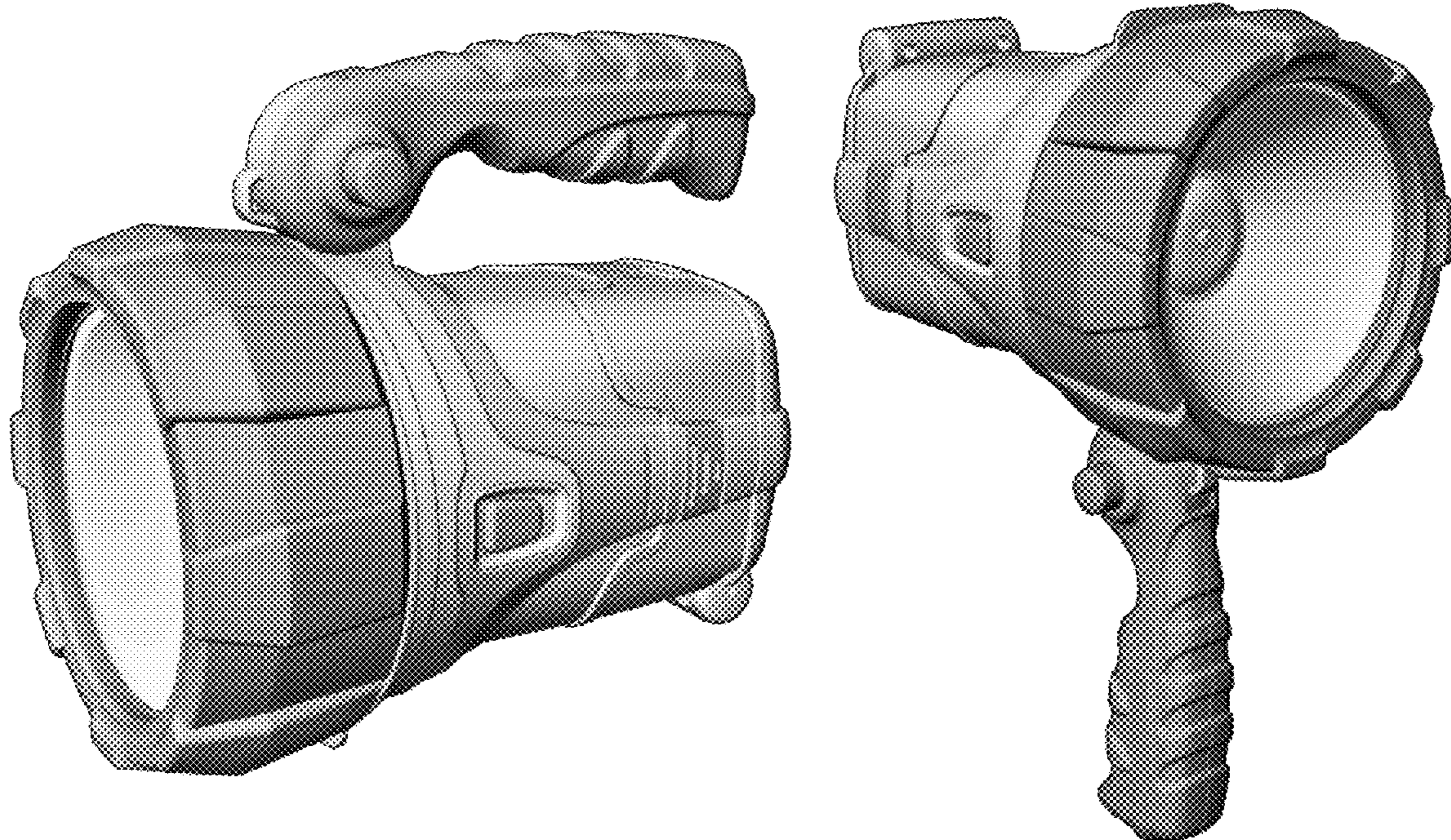
FIG. 8 is a another perspective view of the portable lamp shown in FIG. 1;

FIG. 9 is a perspective view of the portable lamp shown in FIG. 1 in an alternate position;

FIG. 10 is a perspective view of the portable lamp shown in FIG. 1 in an alternate position; and,

FIG. 11 is a perspective view of the portable lamp shown in FIG. 1 in an alternate position.

**1 Claim, 6 Drawing Sheets**





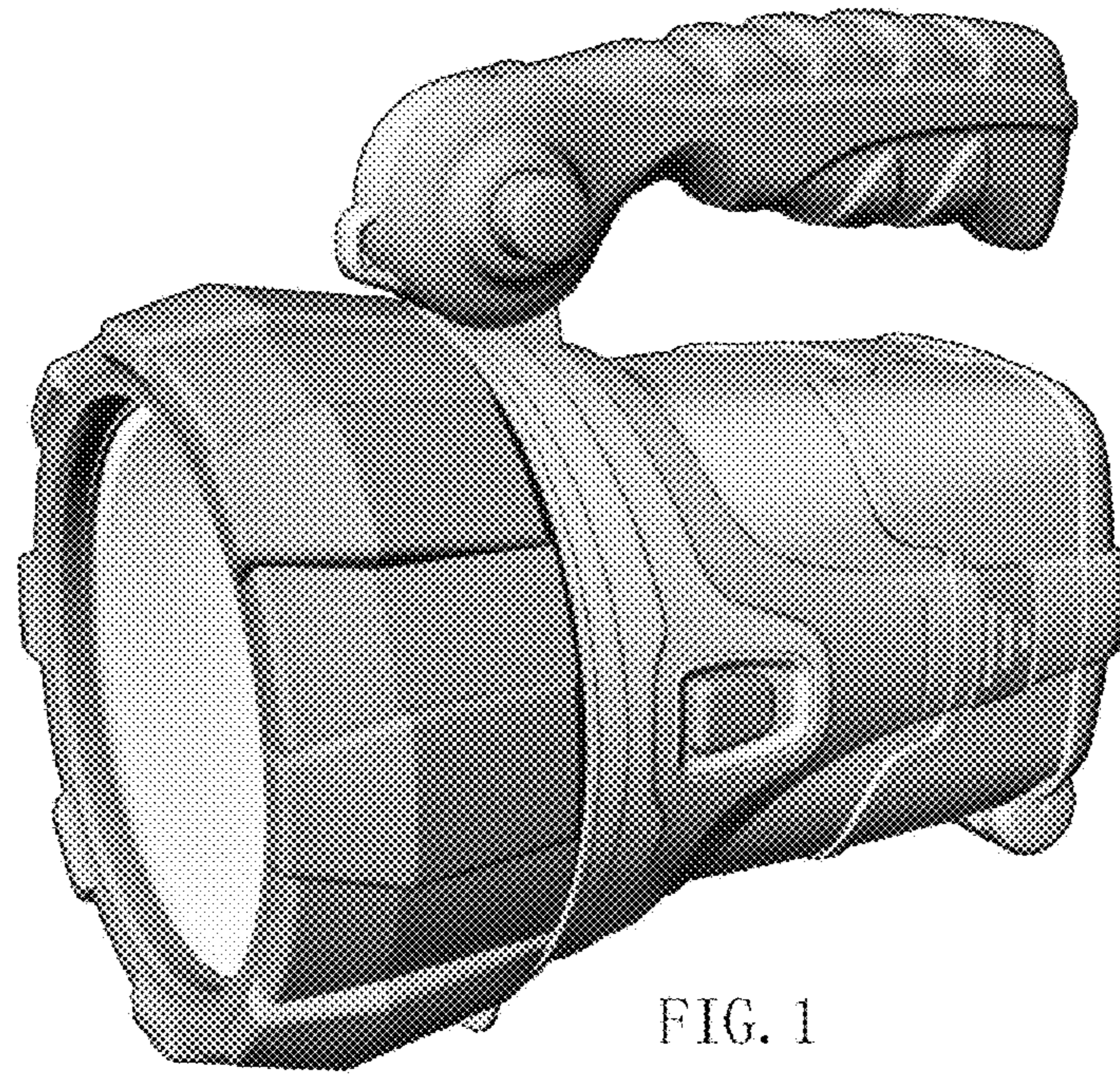


FIG. 1

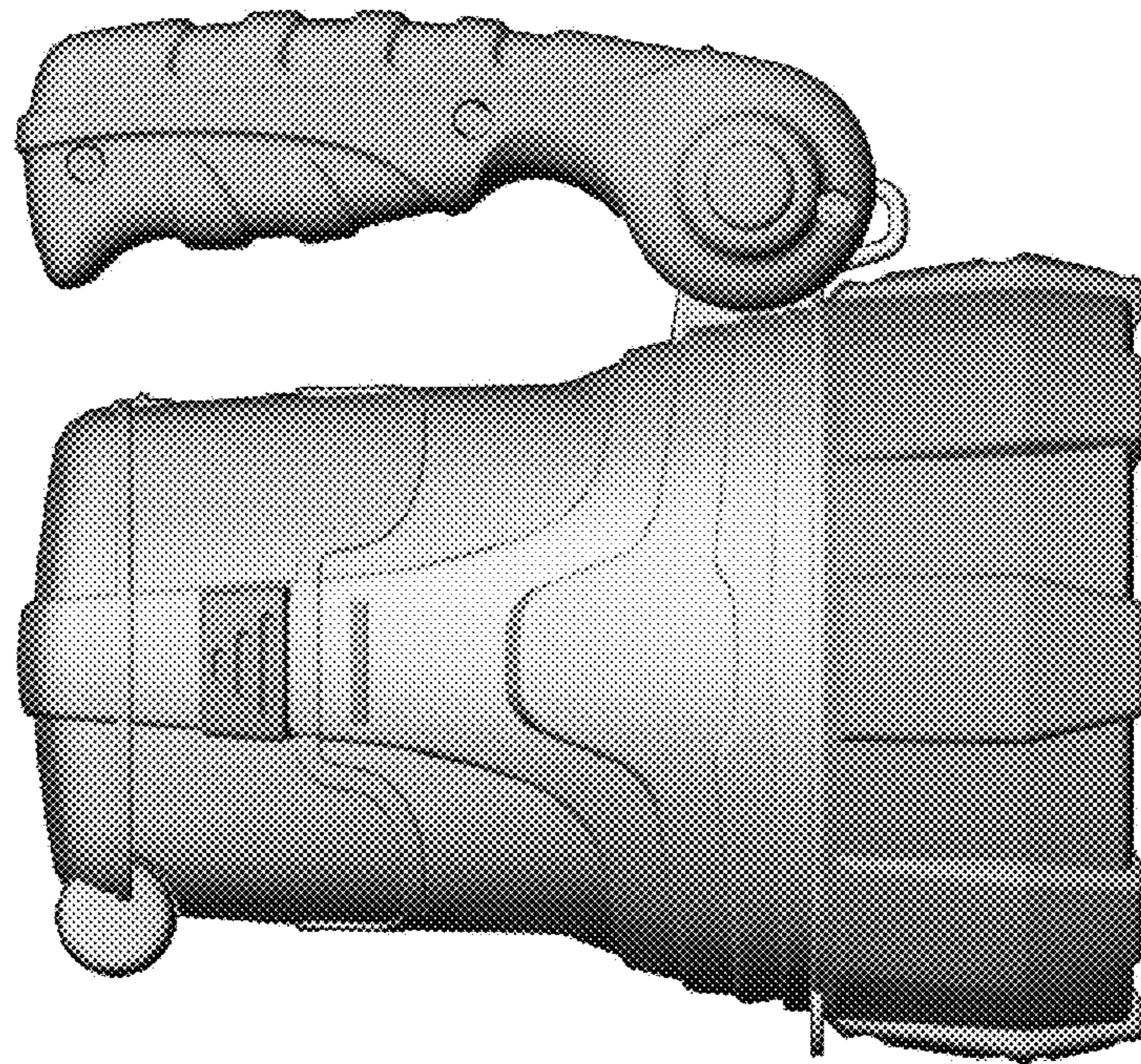


FIG. 2



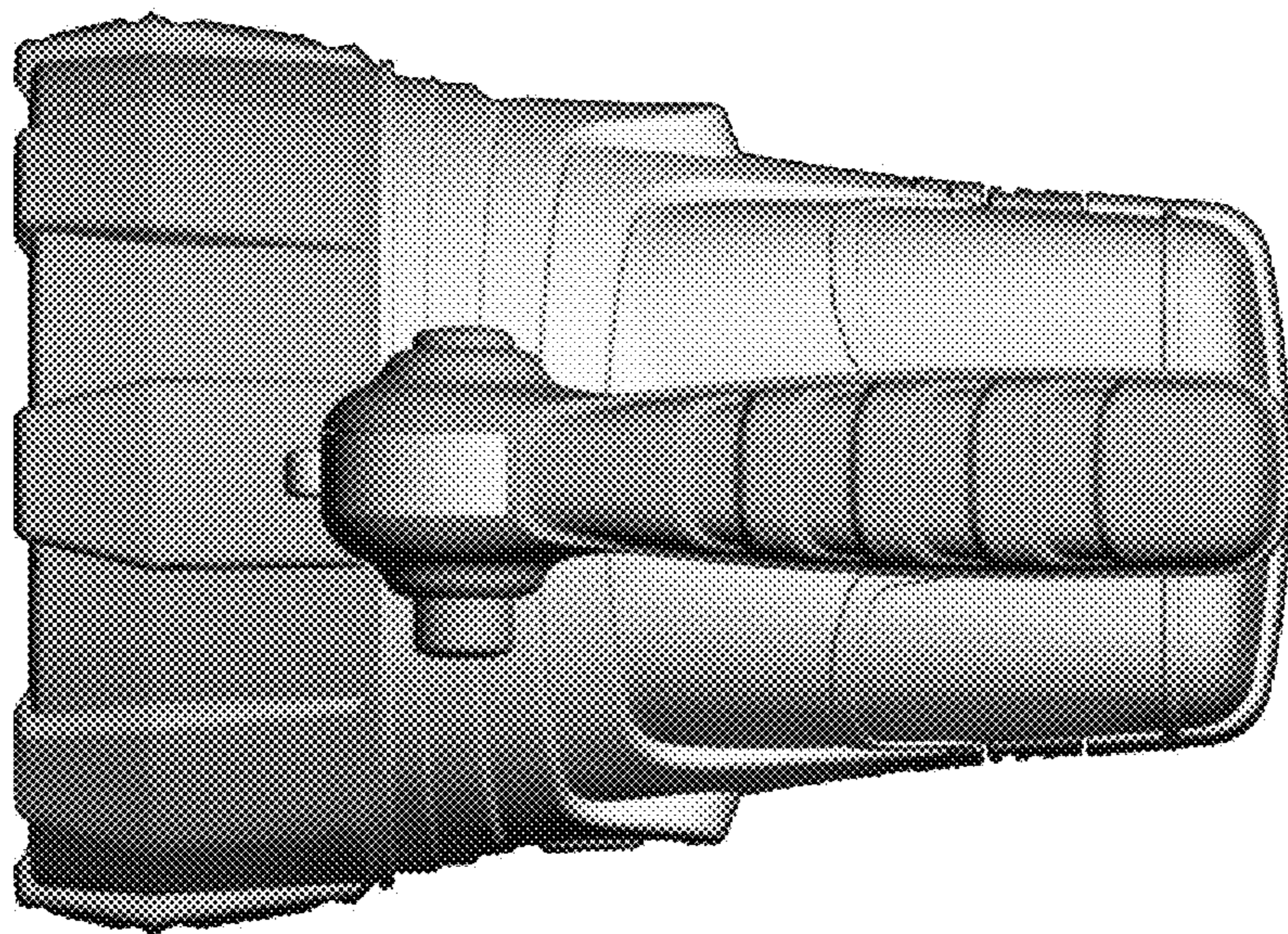


FIG. 3

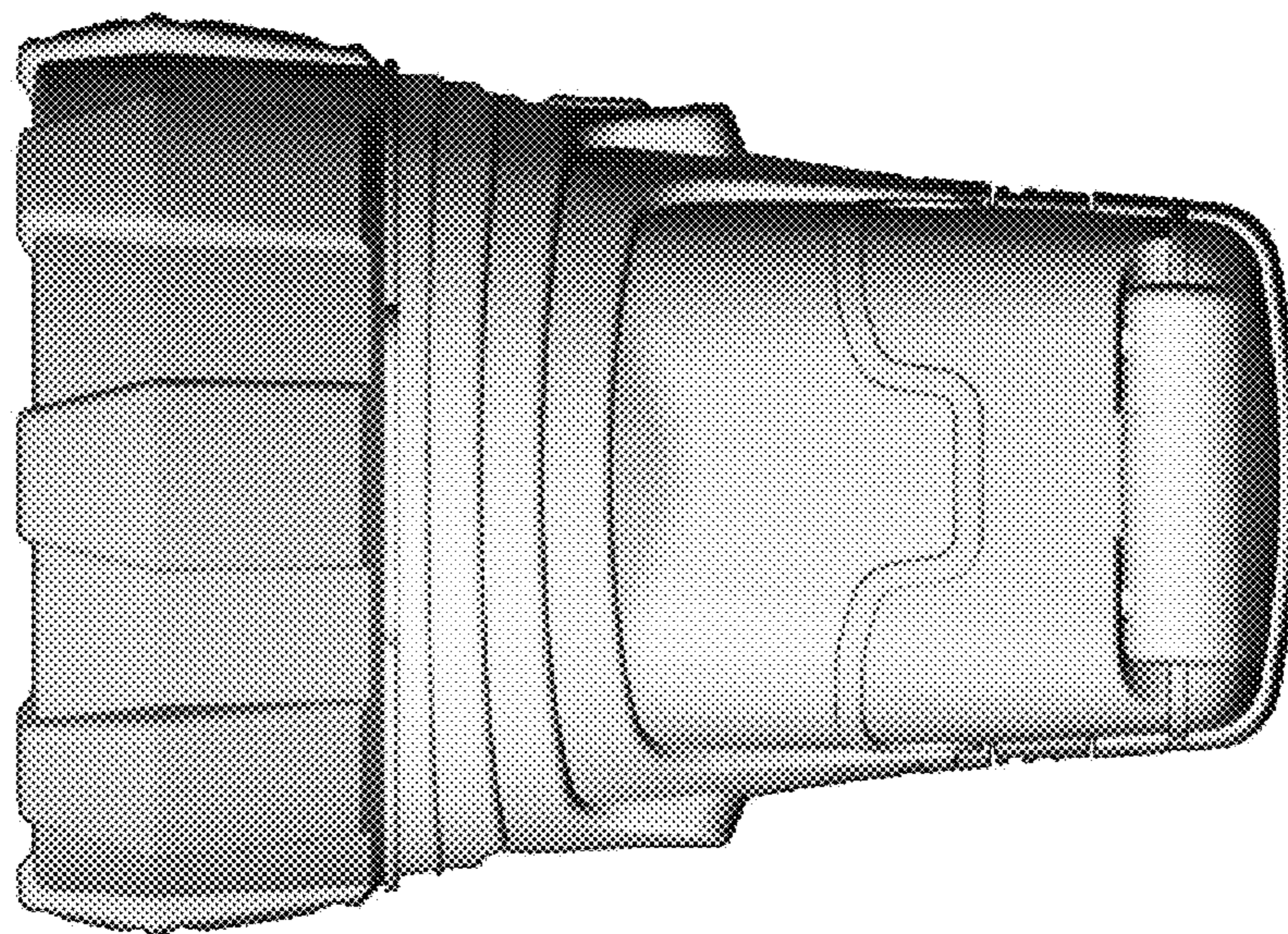


FIG. 4



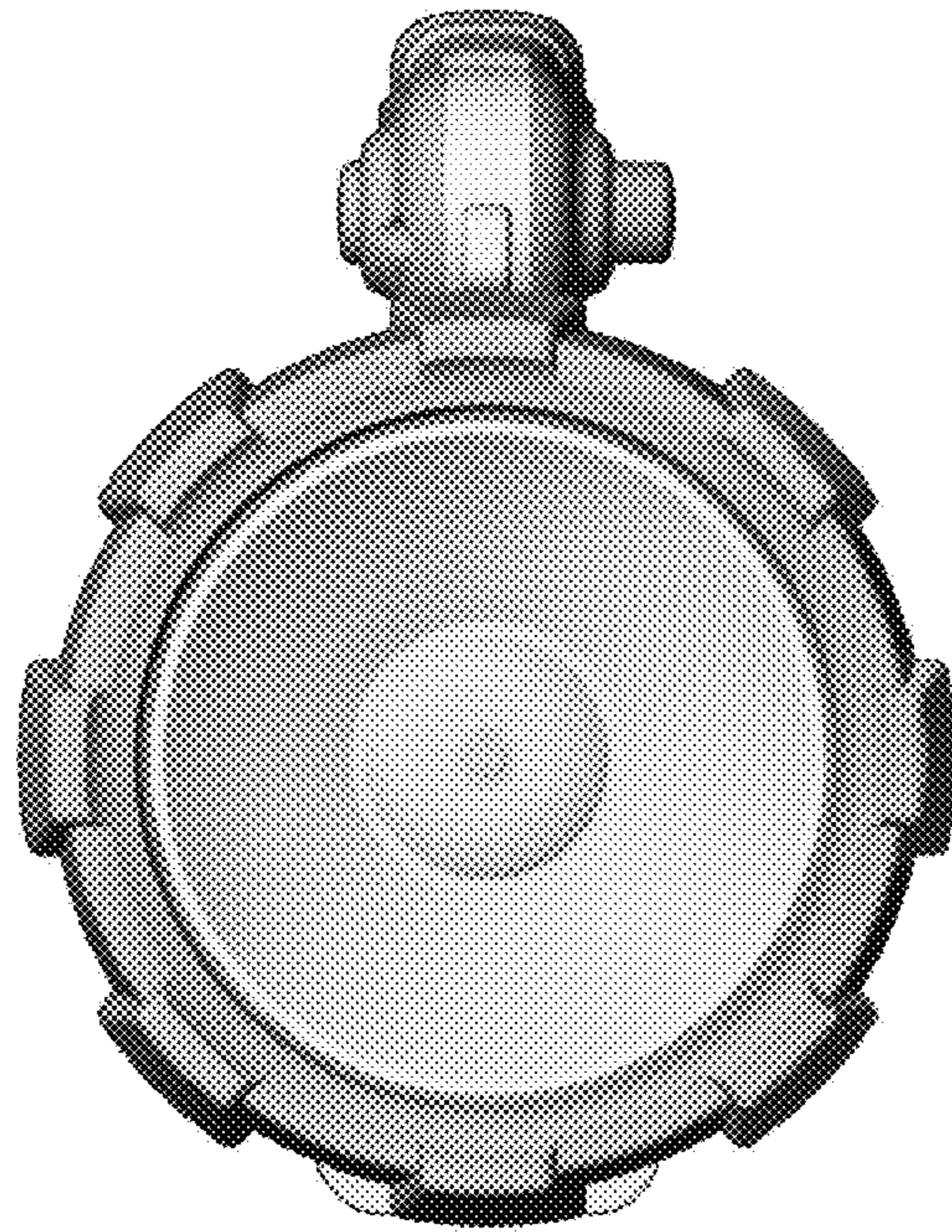


FIG. 5

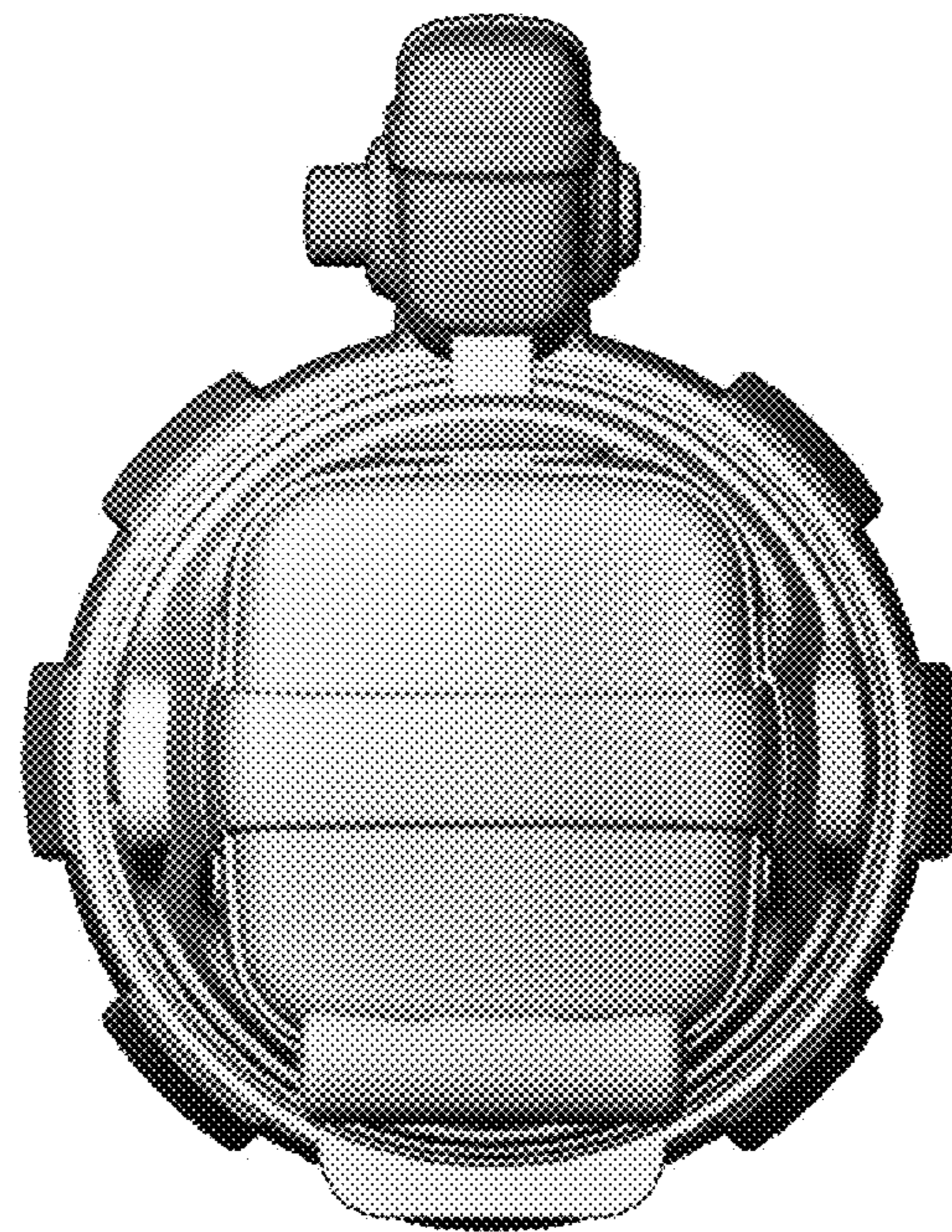


FIG. 6



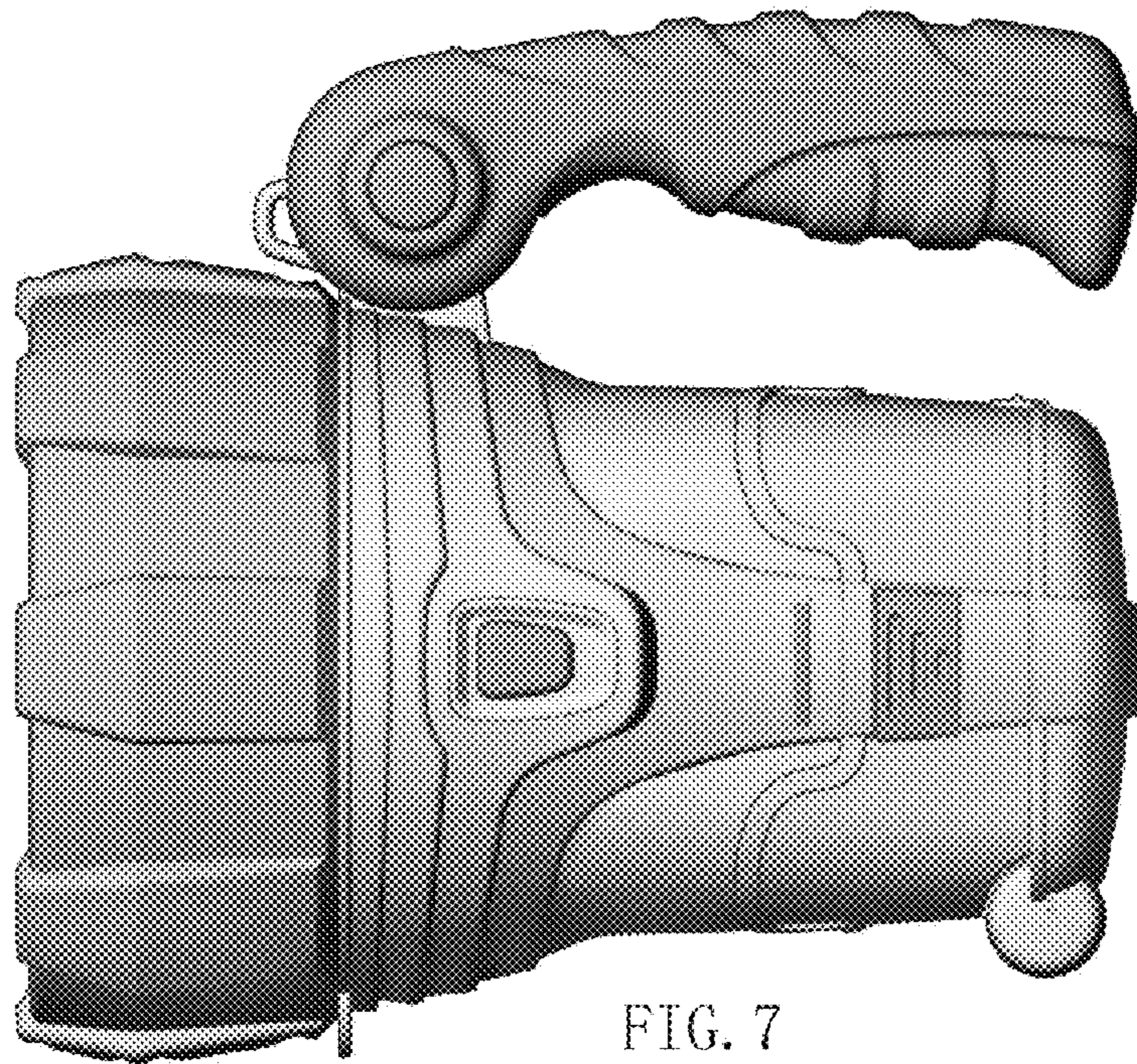


FIG. 7

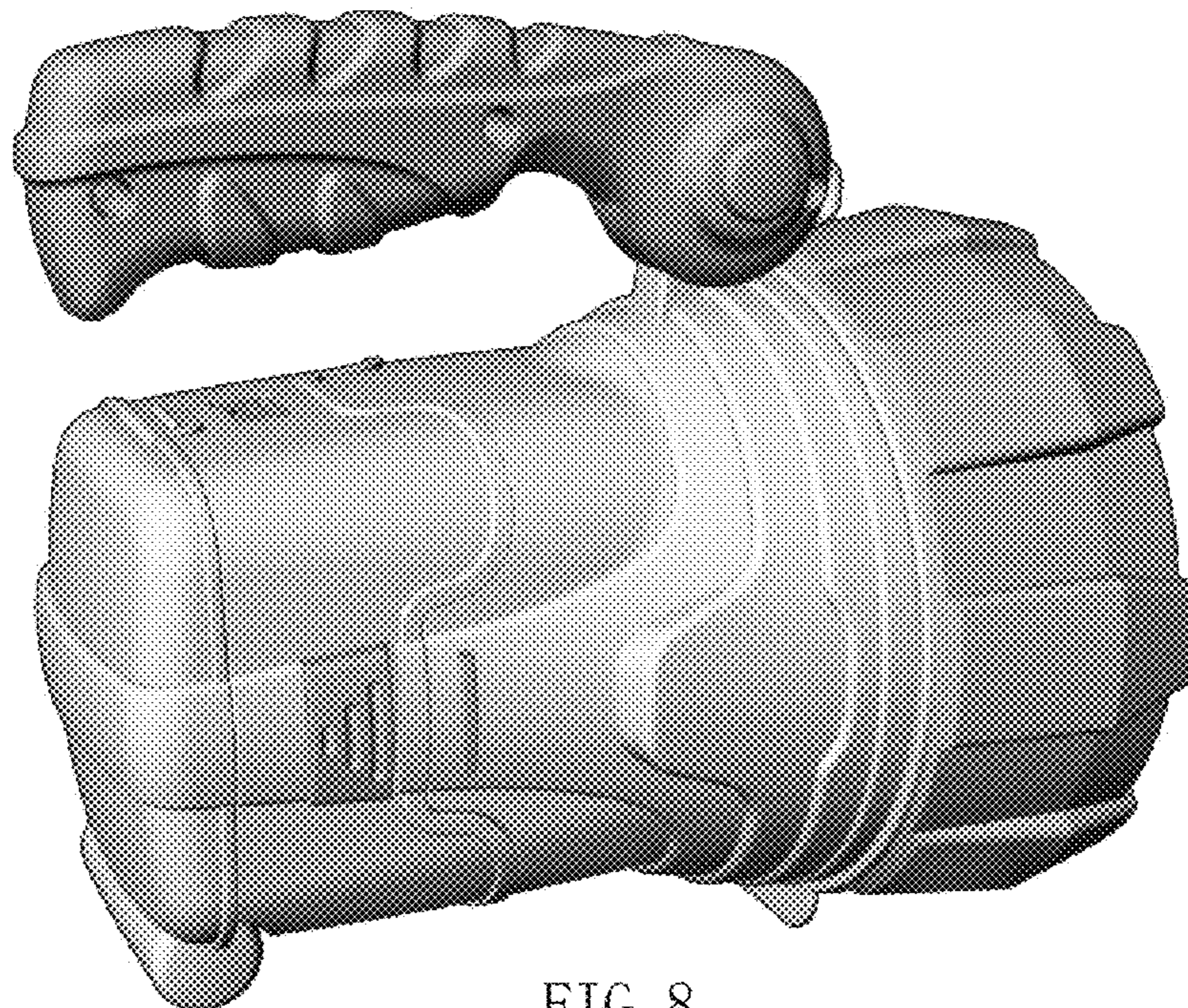


FIG. 8



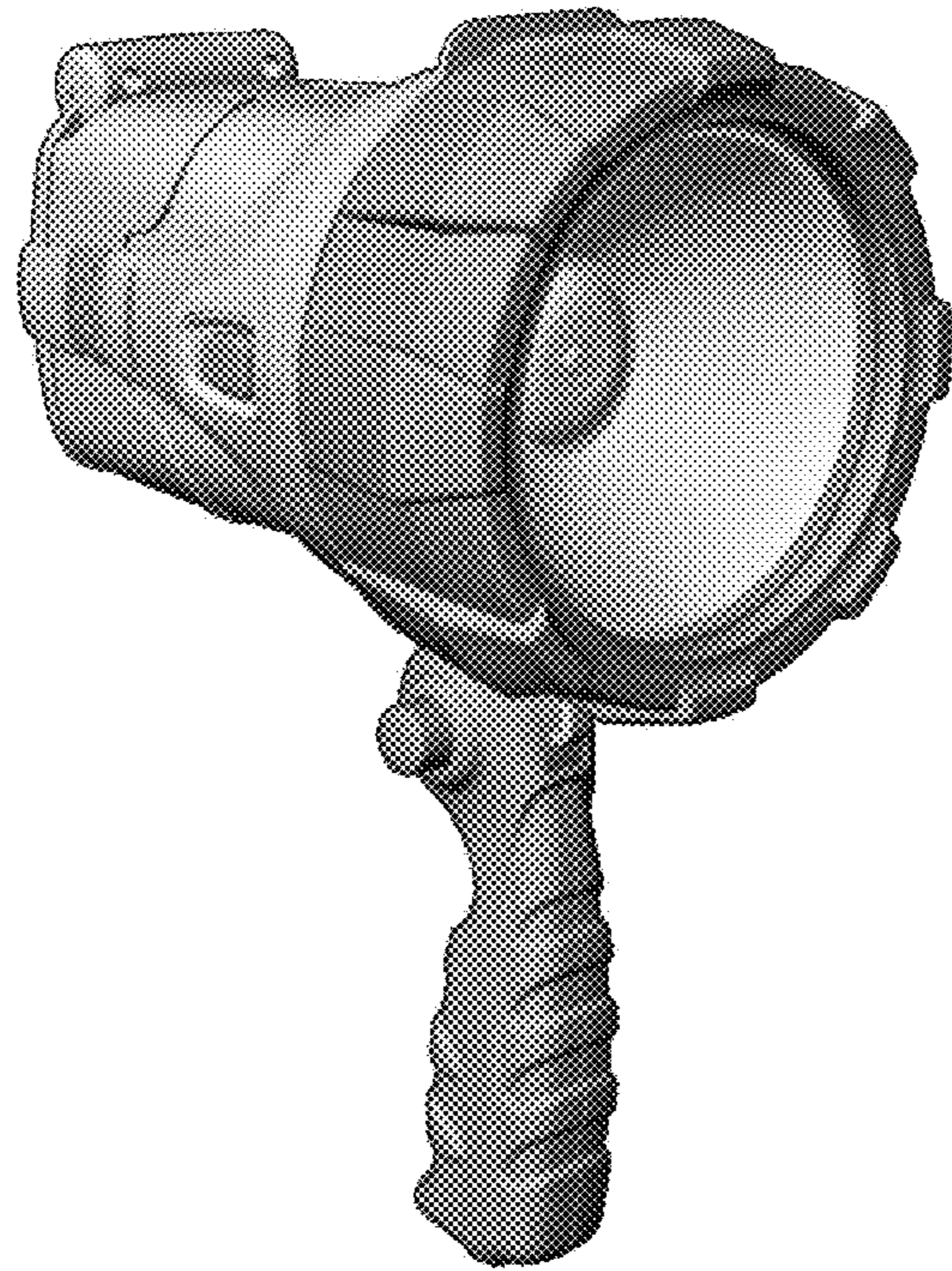


FIG. 9

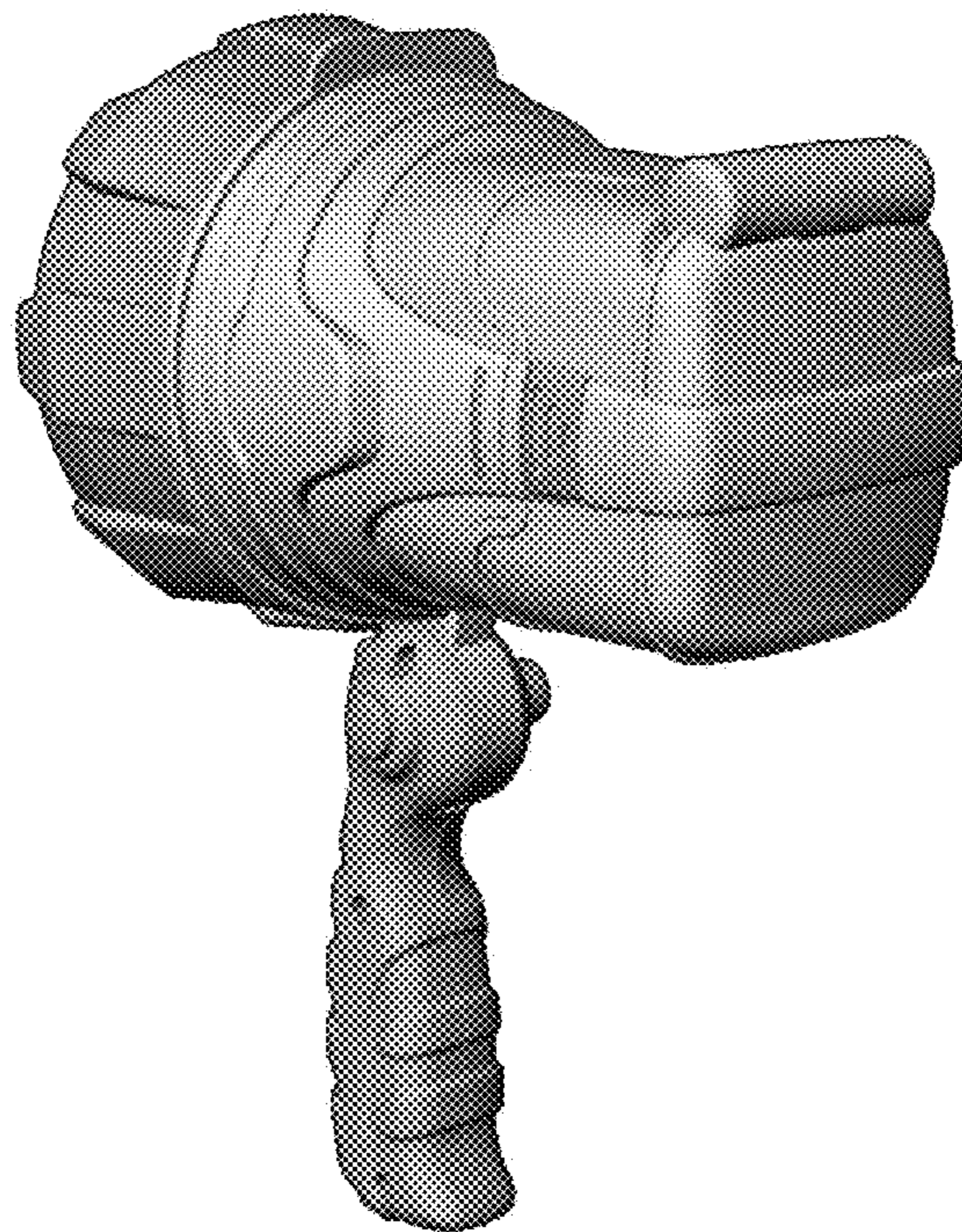


FIG. 10



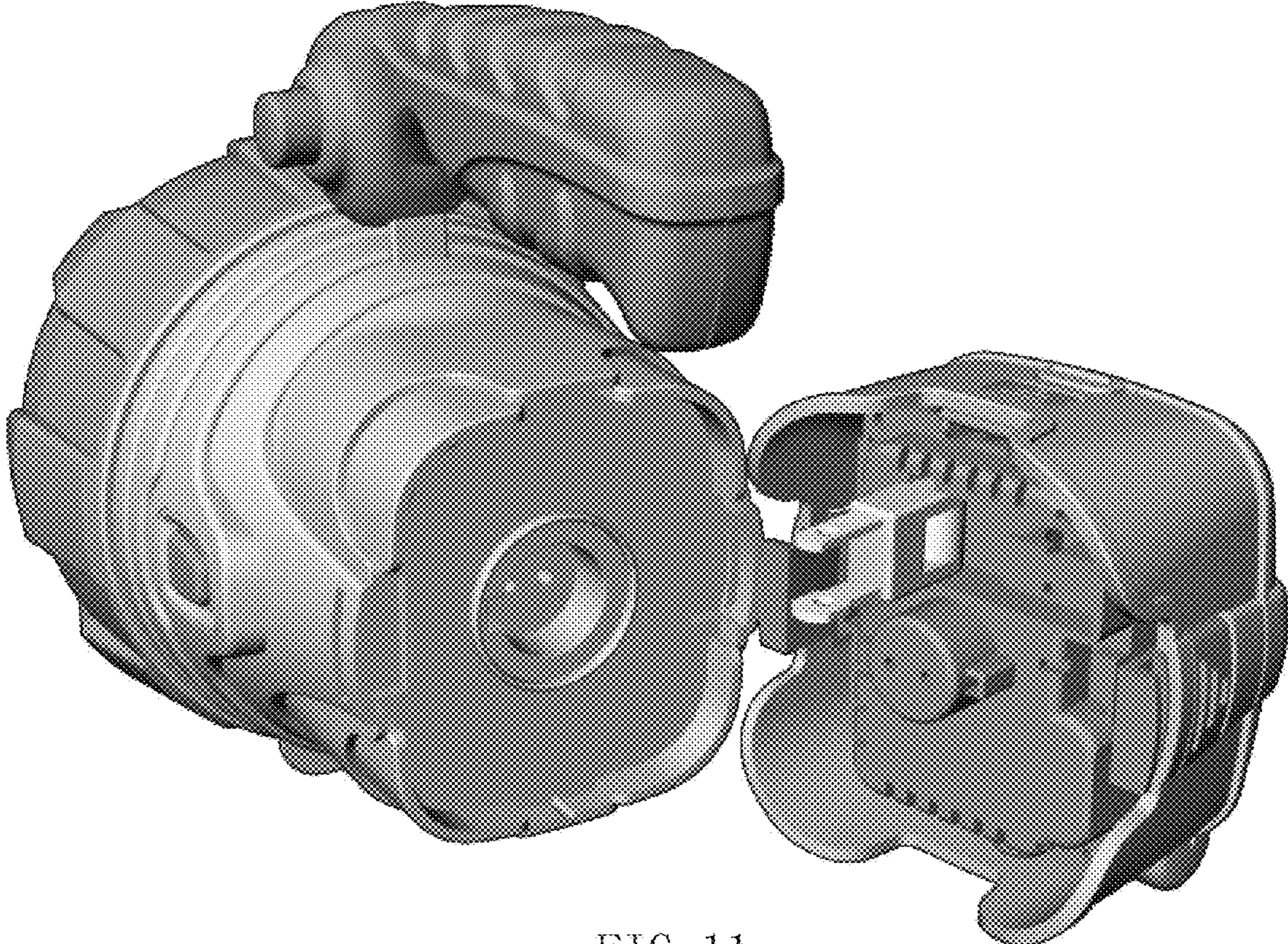


FIG. 11