



US00D638559S

(12) **United States Design Patent**
Huet

(10) **Patent No.:** **US D638,559 S**

(45) **Date of Patent:** **** May 24, 2011**

(54) **TAILLIGHT FOR A VEHICLE**

(75) Inventor: **Jean-François Alexandre Huet**, Villers
Allerand (FR)

(73) Assignee: **Bayerische Motoren Werke**
Aktiengesellschaft, Munich (DE)

(**) Term: **14 Years**

(21) Appl. No.: **29/361,301**

(22) Filed: **May 10, 2010**

(30) **Foreign Application Priority Data**

Nov. 12, 2009 (DE) 402009005586

(51) **LOC (9) Cl.** **26-06**

(52) **U.S. Cl.** **D26/28**

(58) **Field of Classification Search** D26/28-36;
362/459-468, 475-478, 485-487

See application file for complete search history.

(56) **References Cited**

U.S. PATENT DOCUMENTS

D548,376 S	8/2007	Markefka	
D549,363 S *	8/2007	Pfeiffer	D26/28
D552,769 S *	10/2007	Leclercq	D26/28
D553,268 S *	10/2007	Pfeiffer	D26/28
D560,292 S *	1/2008	Sato	D26/28
D561,357 S *	2/2008	Leclercq	D26/28
D570,015 S *	5/2008	Hsu	D26/28
D593,690 S	6/2009	Habib	
D605,793 S	12/2009	Weil	

FOREIGN PATENT DOCUMENTS

WO	DM/065864	3/2005
WO	DM/067641	4/2006
WO	DM/069222	2/2008
WO	DM/069951	10/2008
WO	DM/070264	12/2008
WO	DM/070811	3/2009

* cited by examiner

Primary Examiner — Marcus A Jackson

(74) *Attorney, Agent, or Firm* — Crowell & Moring LLP

(57) **CLAIM**

The ornamental design for a taillight for a vehicle, as shown and described.

DESCRIPTION

FIG. 1 is a left perspective view of a first embodiment of a taillight for a vehicle according to my design;

FIG. 2 is a right perspective view thereof;

FIG. 3 is a front view thereof;

FIG. 4 is a left side view thereof; and

FIG. 5 is a top view thereof.

FIG. 6 is a right perspective view of a second embodiment of the taillight for a vehicle according to my design;

FIG. 7 is a right side perspective view of the opposite side of the taillight for a vehicle showing my new design,

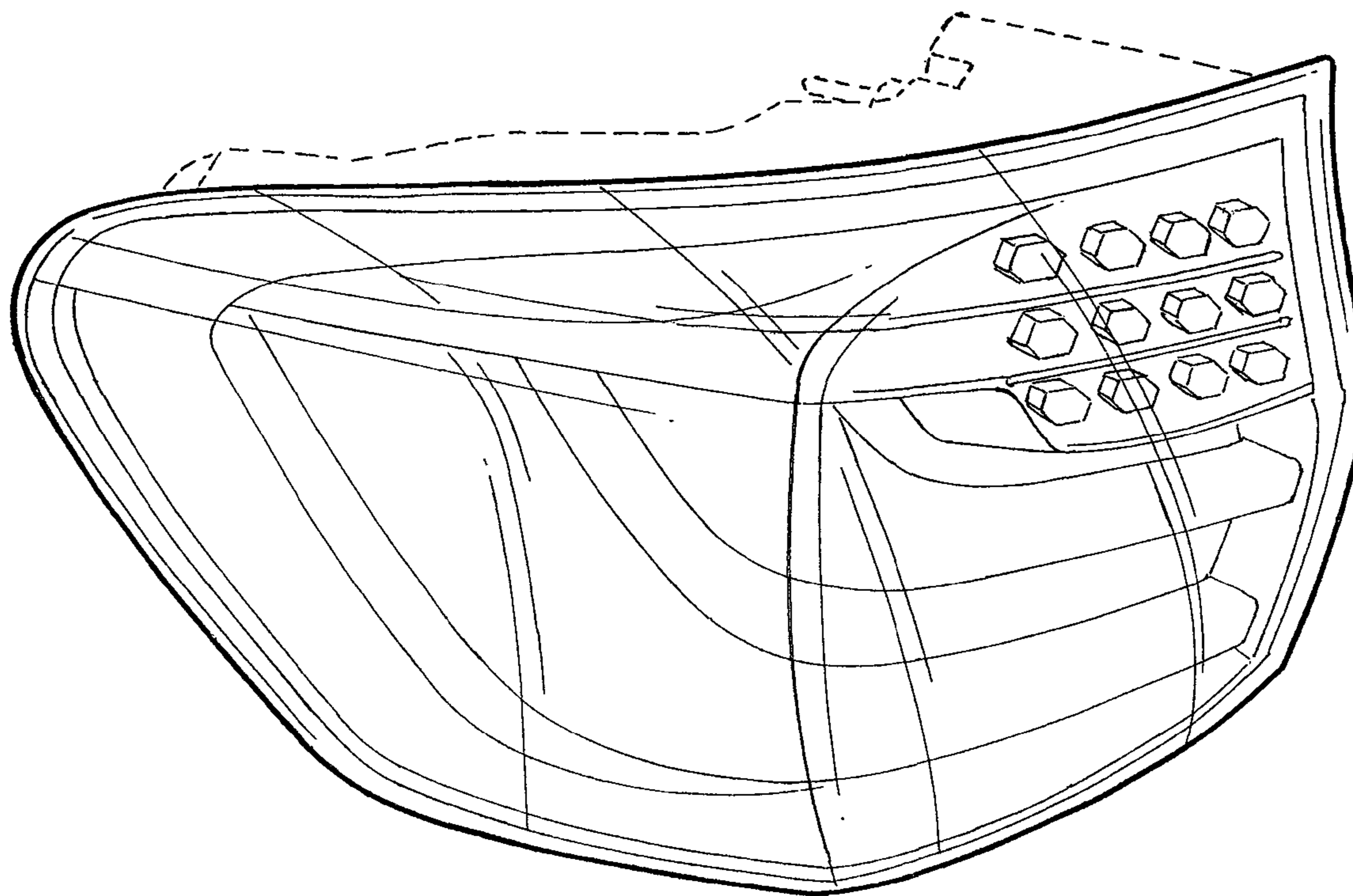
FIG. 8 is a front view thereof;

FIG. 9 is a right side view thereof; and,

FIG. 10 is a top view thereof.

The broken lines are for illustrative purposes only and form no part of the claimed design.

1 Claim, 6 Drawing Sheets



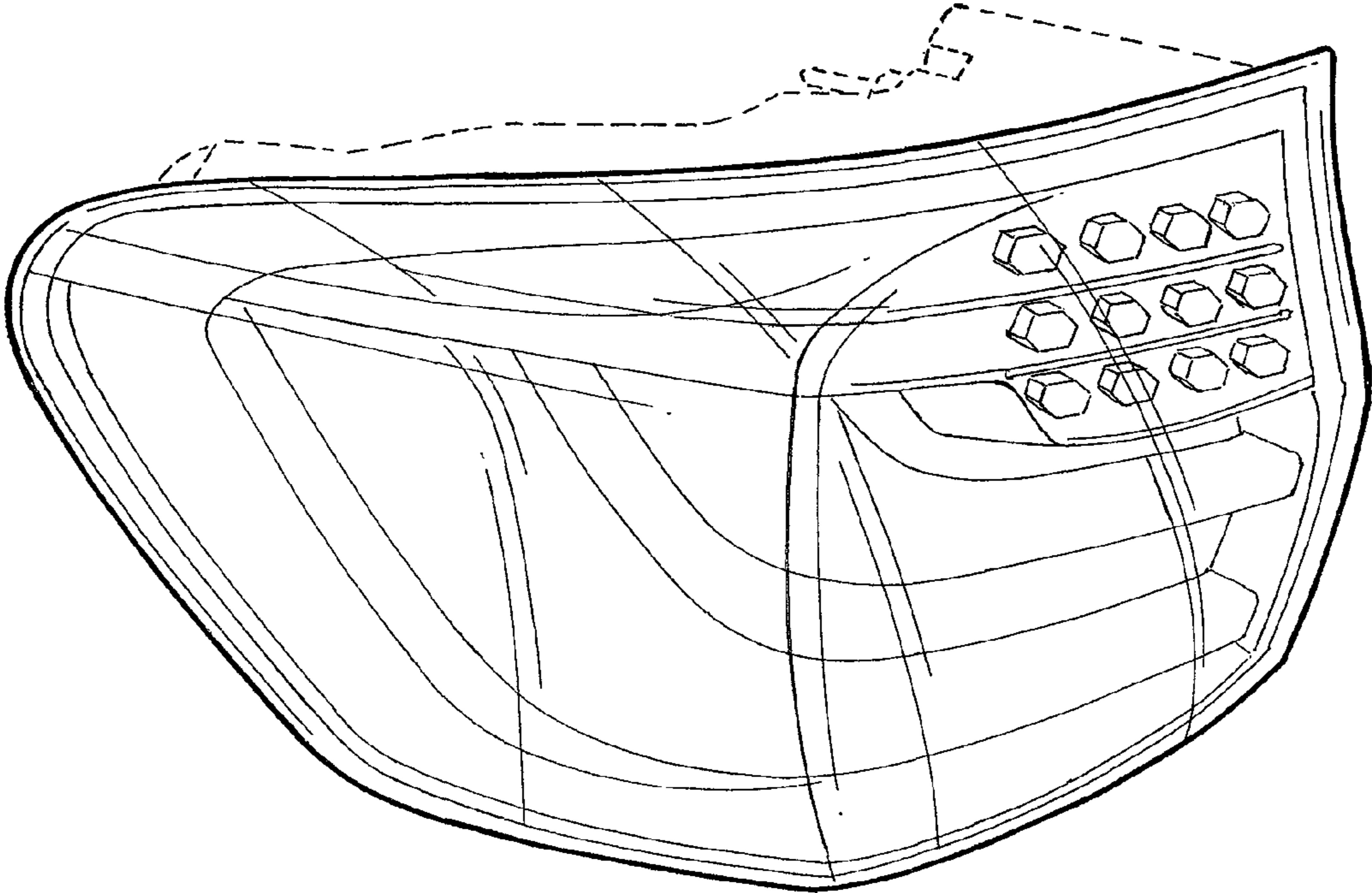


FIG. 1

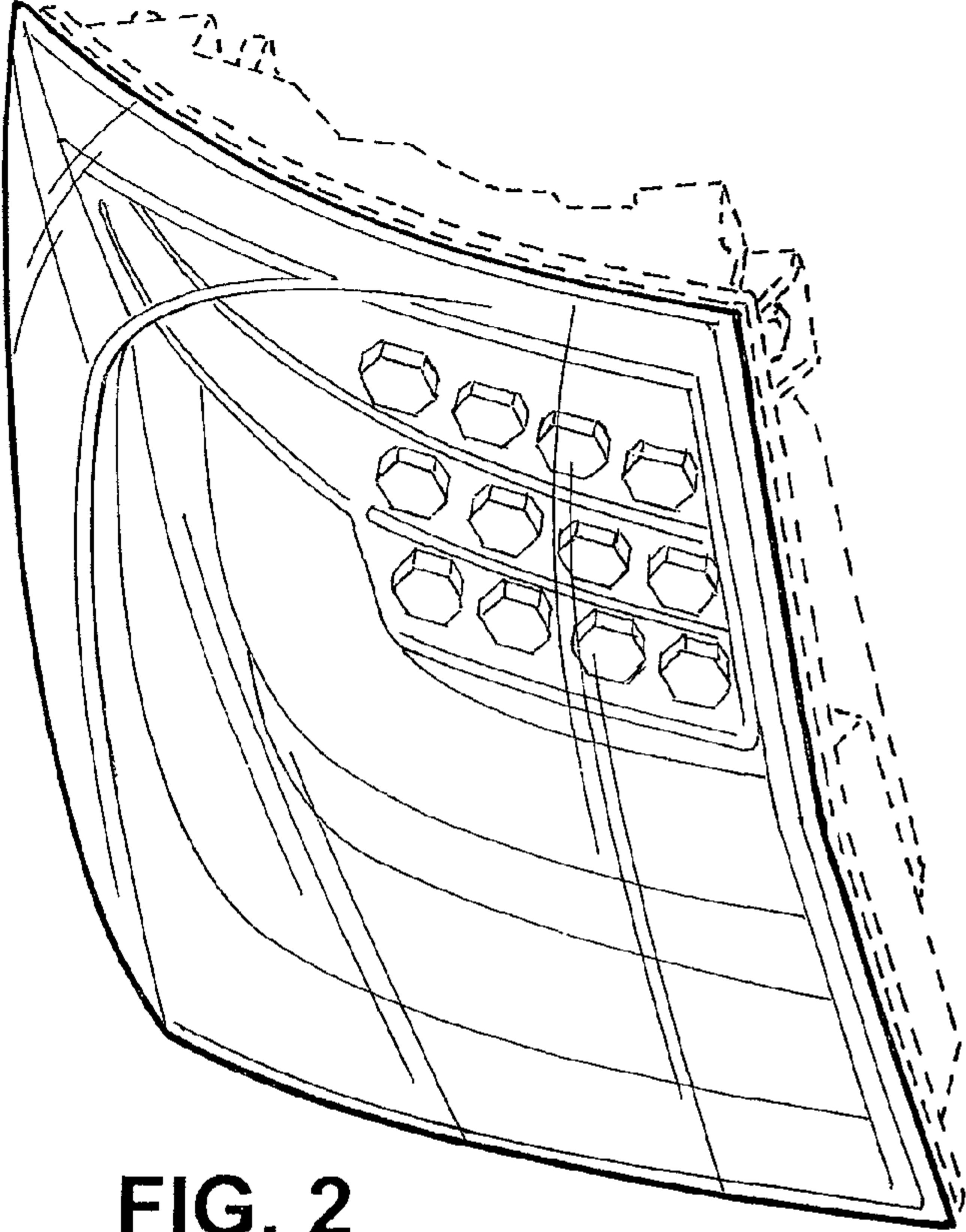


FIG. 2

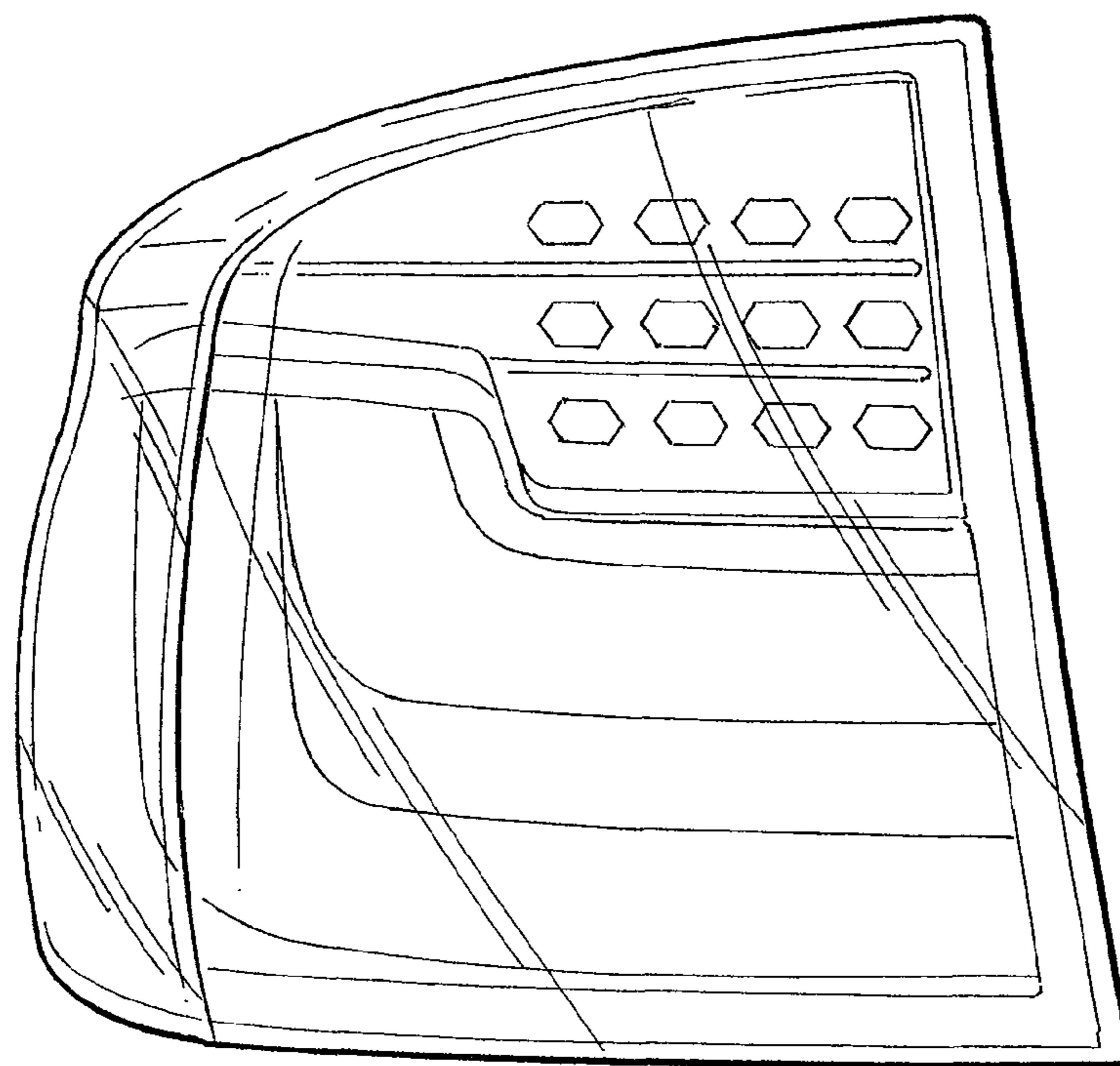


FIG. 3

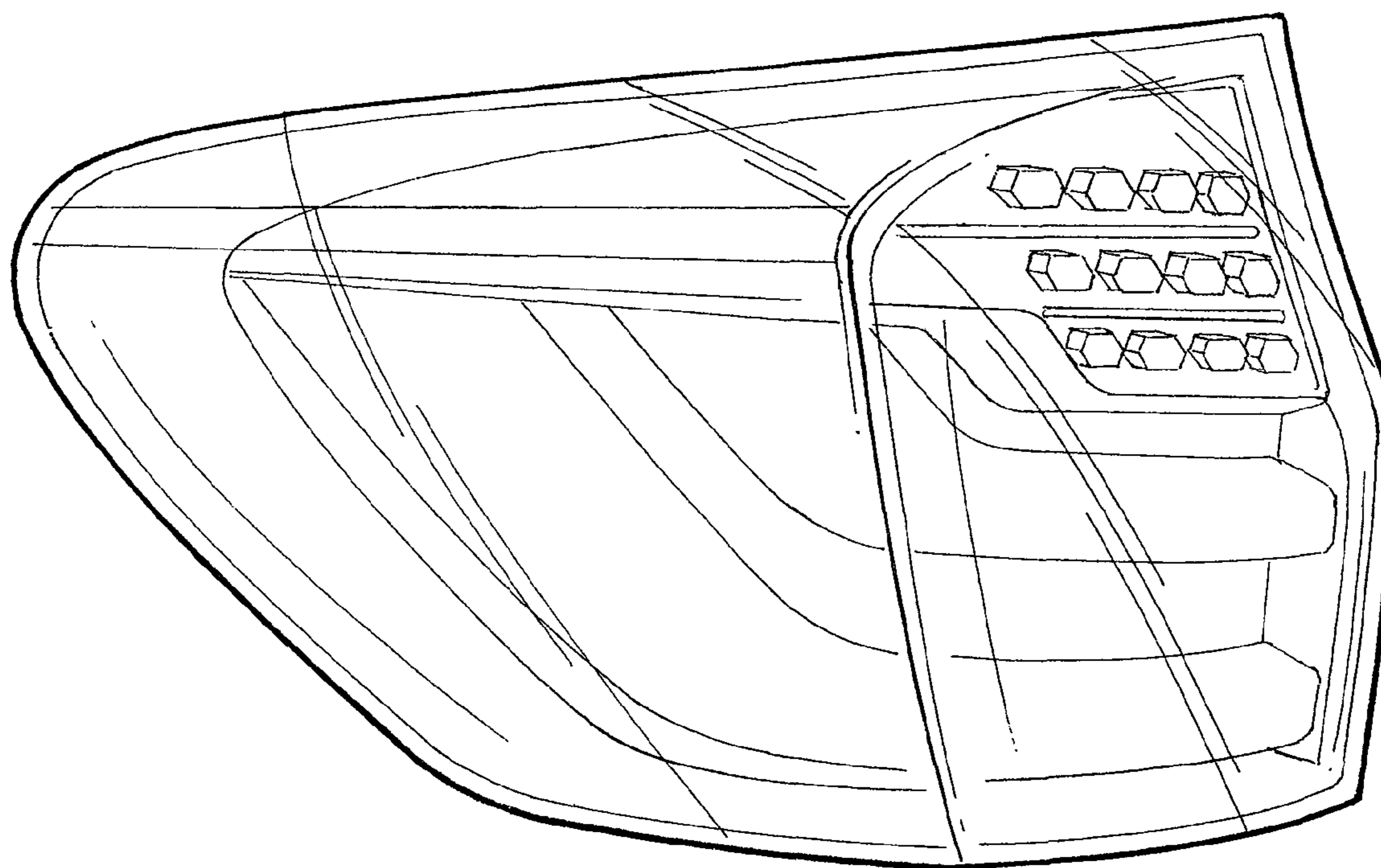


FIG. 4

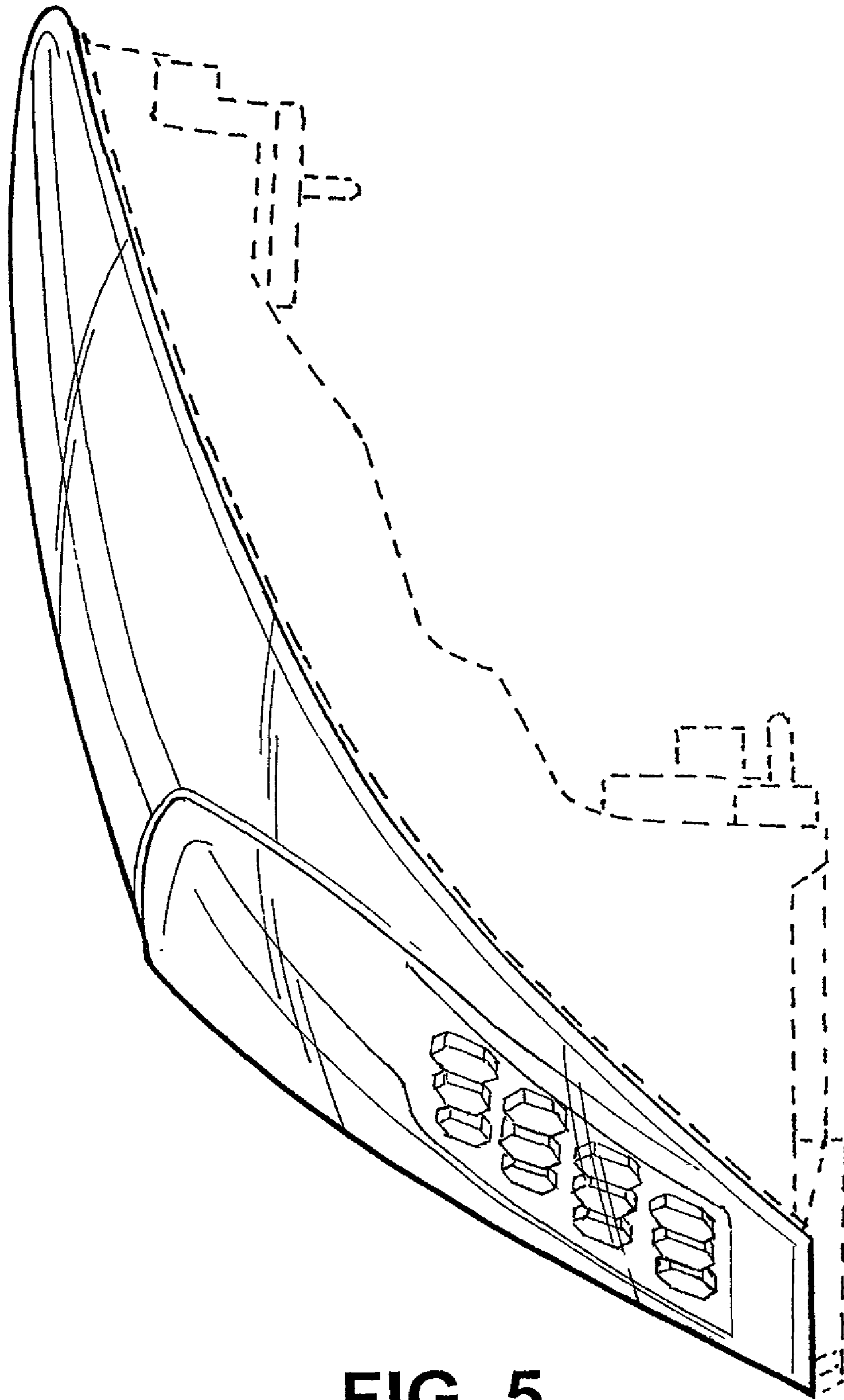


FIG. 5

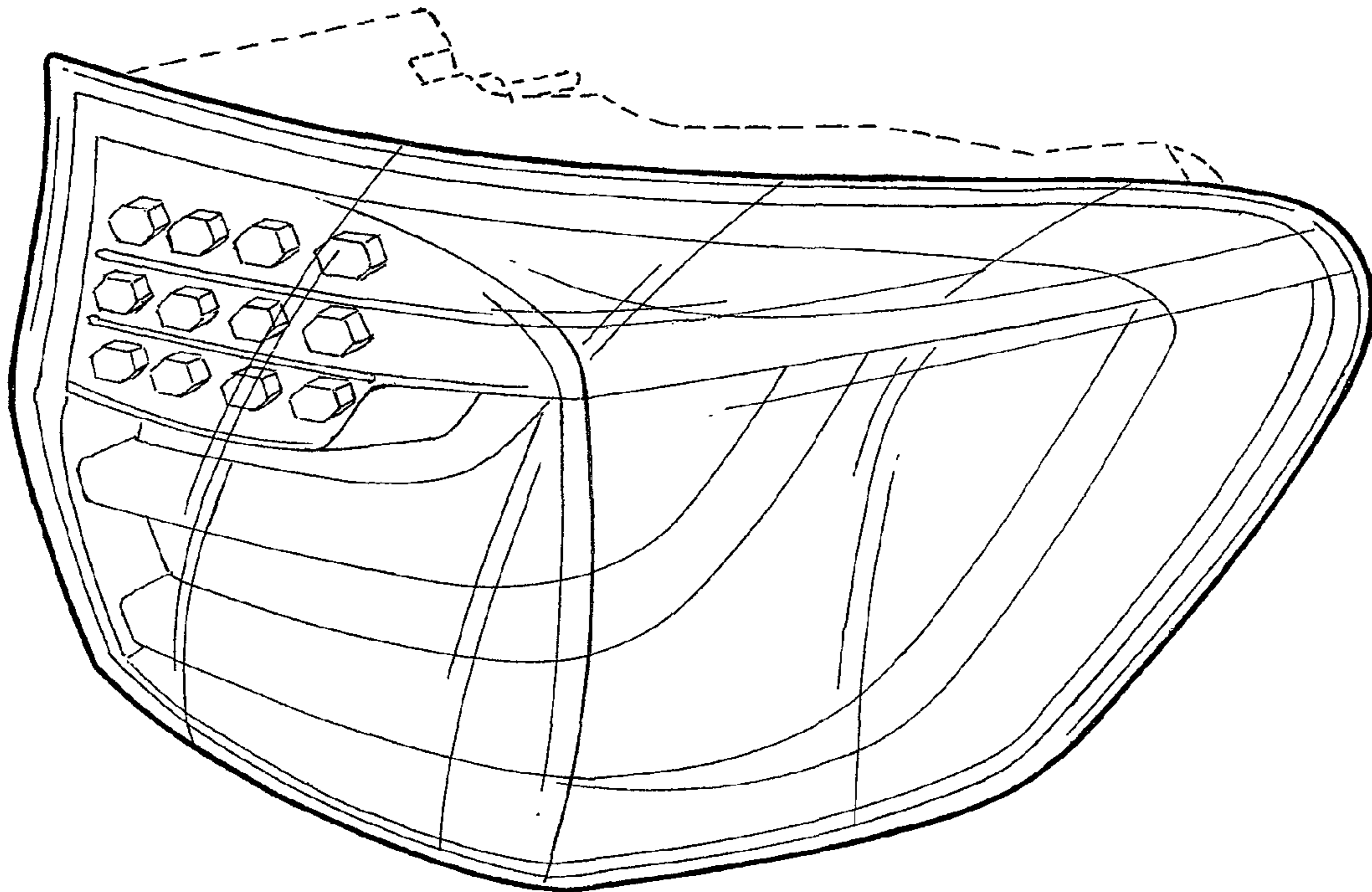


FIG. 6

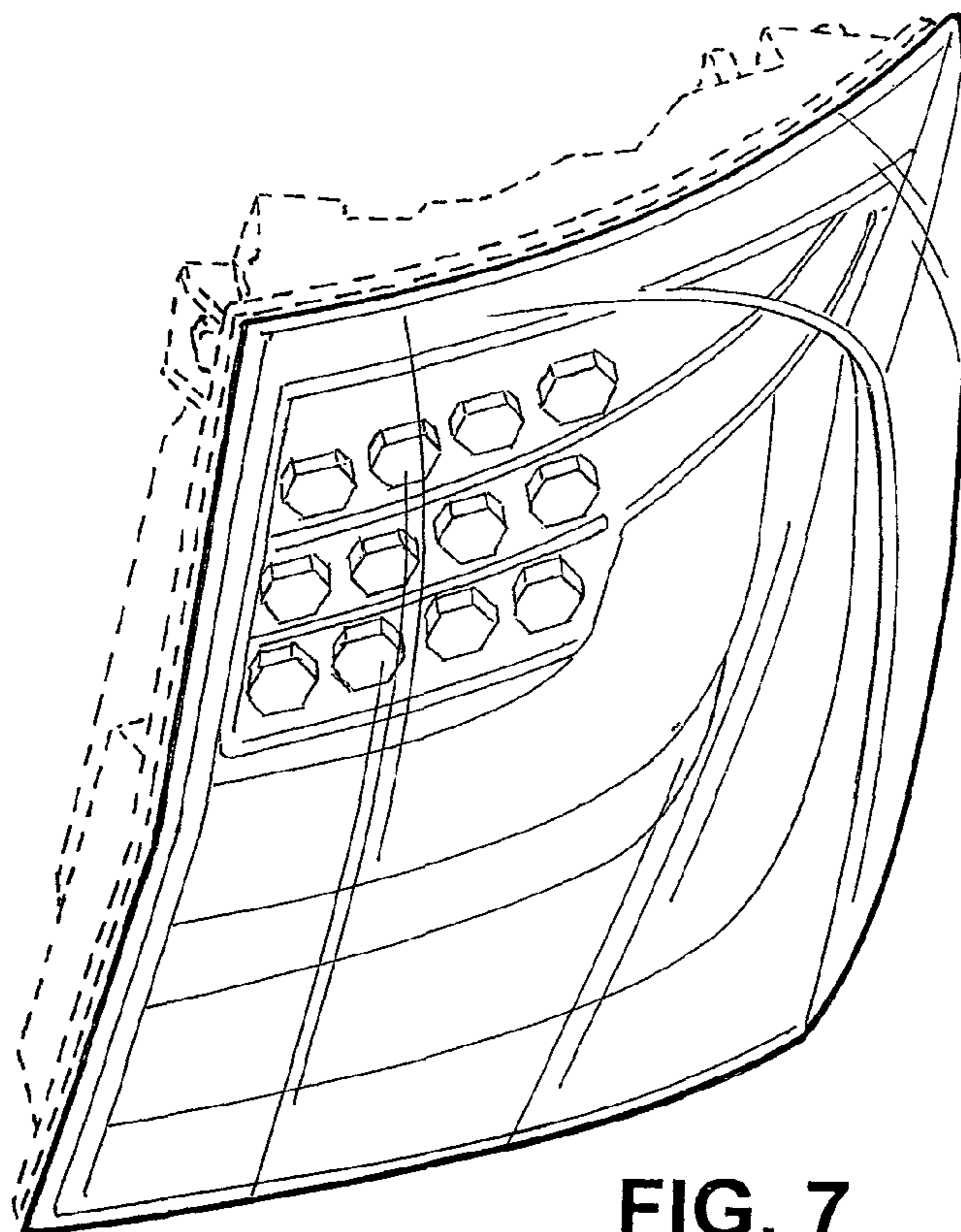


FIG. 7

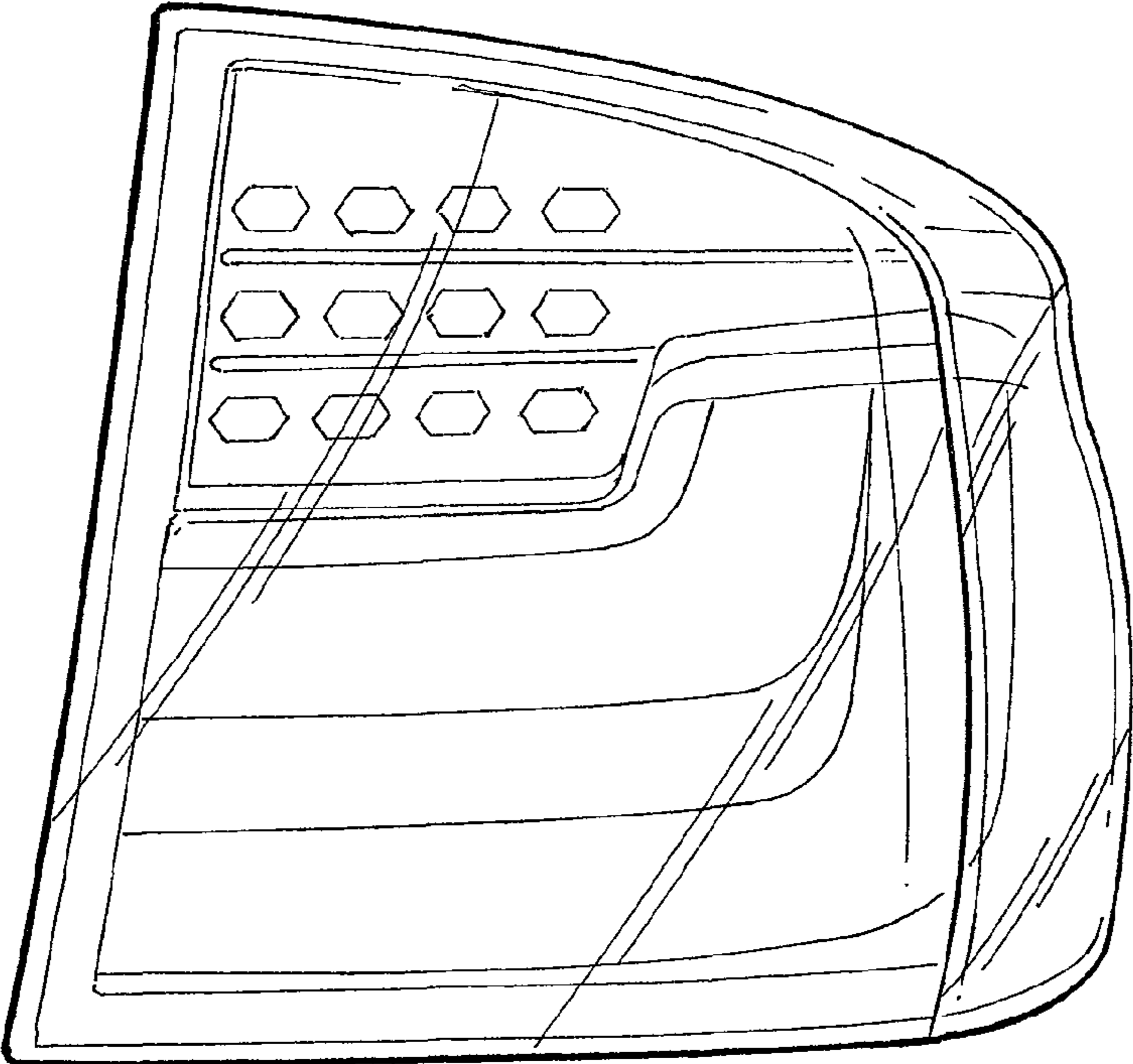


FIG. 8

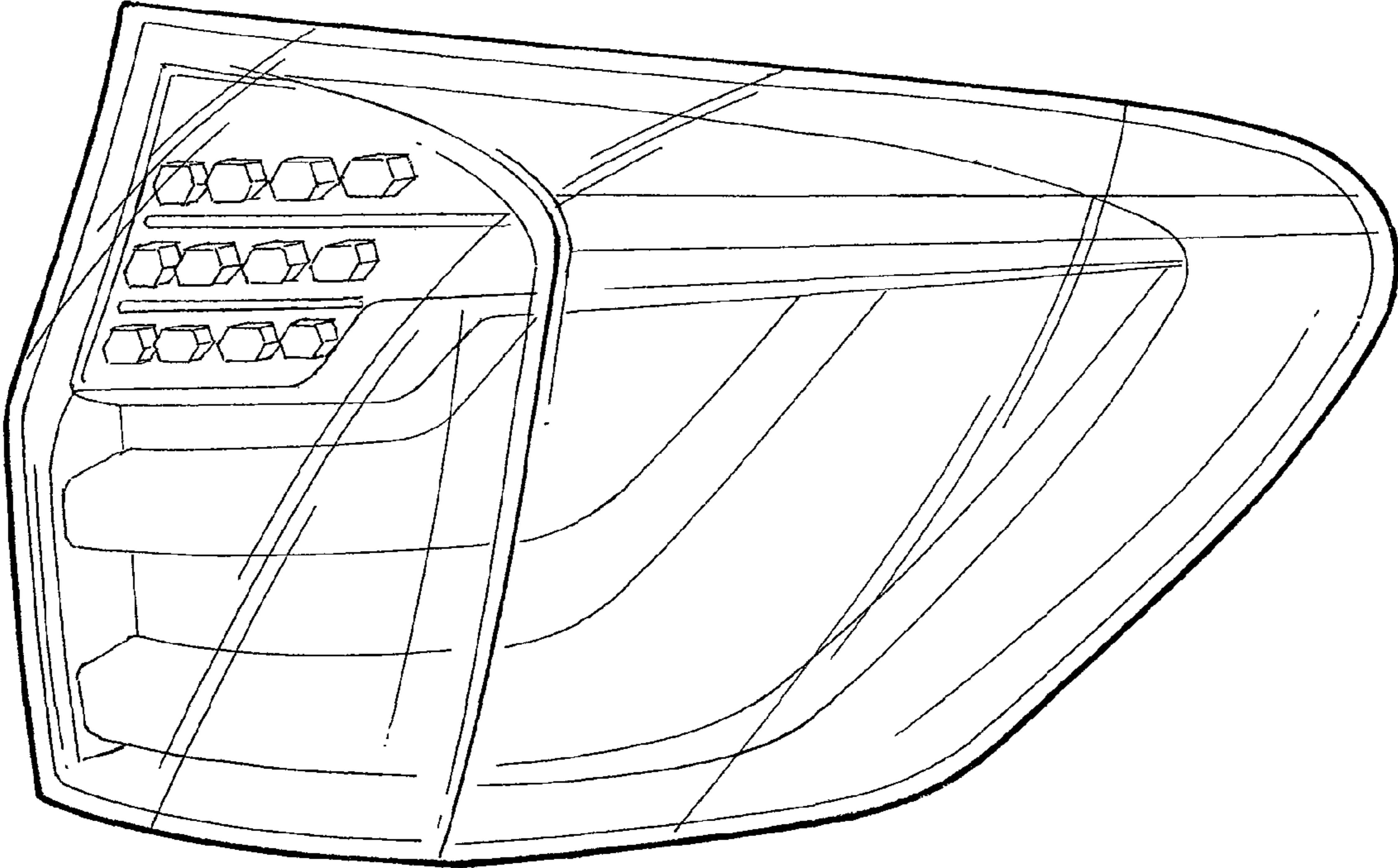


FIG. 9

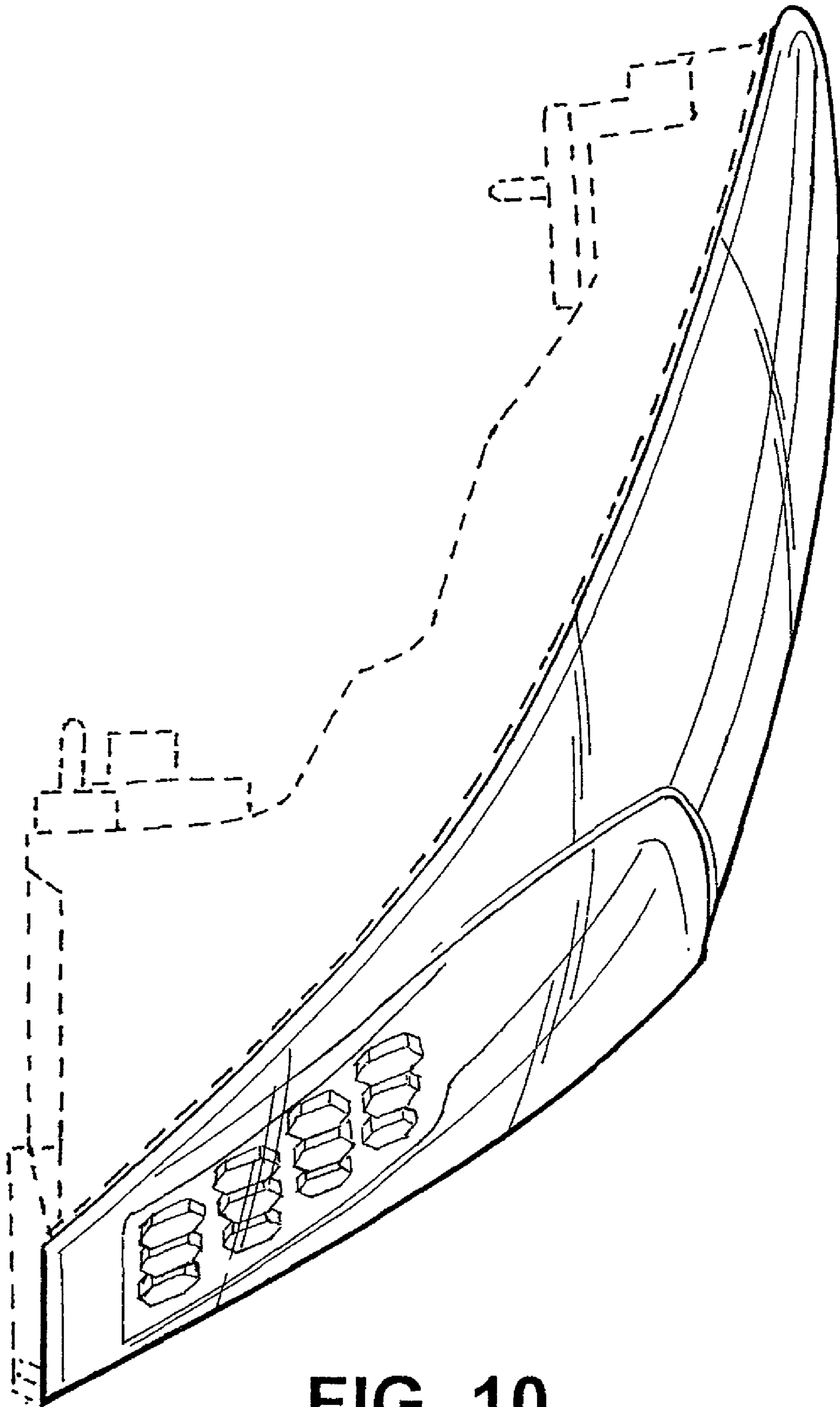


FIG. 10