



US00D638558S

(12) **United States Design Patent**
Froehlich

(10) **Patent No.:** **US D638,558 S**

(45) **Date of Patent:** **** May 24, 2011**

(54) **TAILLIGHT FOR A VEHICLE**

WO DM/069222 2/2008
WO DM/069951 10/2008
WO DM/070264 12/2008

(75) Inventor: **Jacek Froehlich**, Munich (DE)

* cited by examiner

(73) Assignee: **Bayerische Motoren Werke Aktiengesellschaft**, Munich (DE)

Primary Examiner — Marcus A Jackson

(**) Term: **14 Years**

(74) *Attorney, Agent, or Firm* — Crowell & Moring LLP

(21) Appl. No.: **29/361,300**

(57) **CLAIM**

The ornamental design for a taillight for a vehicle, as shown and described.

(22) Filed: **May 10, 2010**

DESCRIPTION

(30) **Foreign Application Priority Data**

Nov. 12, 2009 (DE) 402009005586

This application contains subject matter related to the following co-pending U.S. design patent application:

(51) **LOC (9) Cl.** **26-06**

Application Ser. No. 29/361,303, filed herewith and entitled "Taillight for a Vehicle".

(52) **U.S. Cl.** **D26/28**

(58) **Field of Classification Search** D26/28-36;
362/459-468, 475-478, 485-487

FIG. 1 is a left perspective view of a first embodiment of a taillight for a vehicle according to my design;

FIG. 2 is a right perspective view thereof;

FIG. 3 is a front view thereof;

FIG. 4 is a left side view thereof;

FIG. 5 is a top view thereof; and

FIG. 6 is a bottom view thereof.

FIG. 7 is a right side perspective view of the opposite side of the taillight for a vehicle showing my new design,

FIG. 8 is a left perspective view thereof;

FIG. 9 is a front view thereof;

FIG. 10 is a right side view thereof;

FIG. 11 is a top view thereof; and,

FIG. 12 is a bottom view thereof.

The broken lines are for illustrative purposes only and form no part of the claimed design.

See application file for complete search history.

(56) **References Cited**

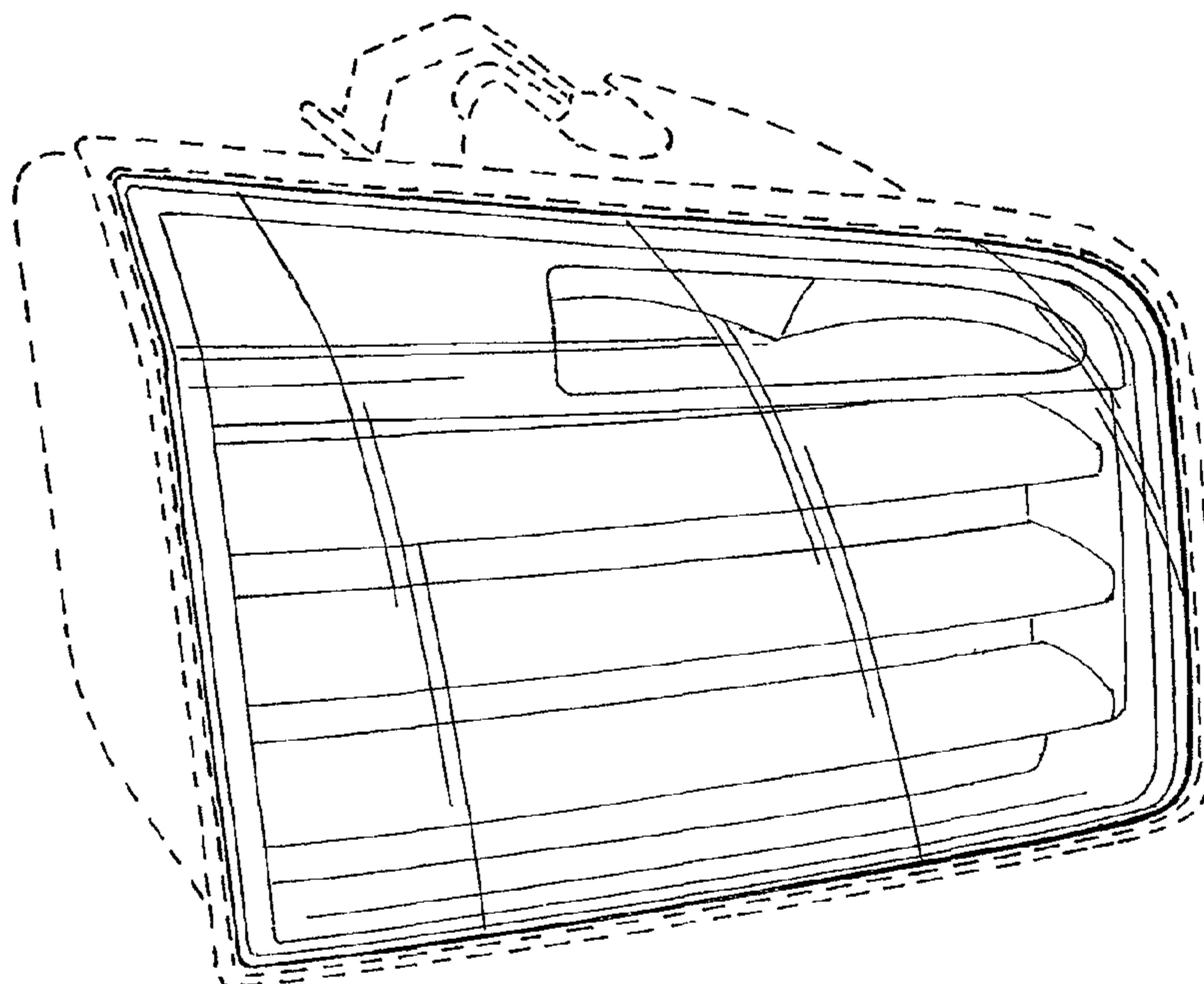
U.S. PATENT DOCUMENTS

D548,377 S 8/2007 Markefka
D549,363 S * 8/2007 Pfeiffer D26/28
D552,769 S * 10/2007 Leclercq D26/28
D553,268 S * 10/2007 Pfeiffer D26/28
D560,292 S * 1/2008 Sato D26/28
D561,357 S * 2/2008 Leclercq D26/28
D570,015 S * 5/2008 Hsu D26/28
D593,689 S 6/2009 Habib

FOREIGN PATENT DOCUMENTS

WO DM/067641 4/2006

1 Claim, 6 Drawing Sheets



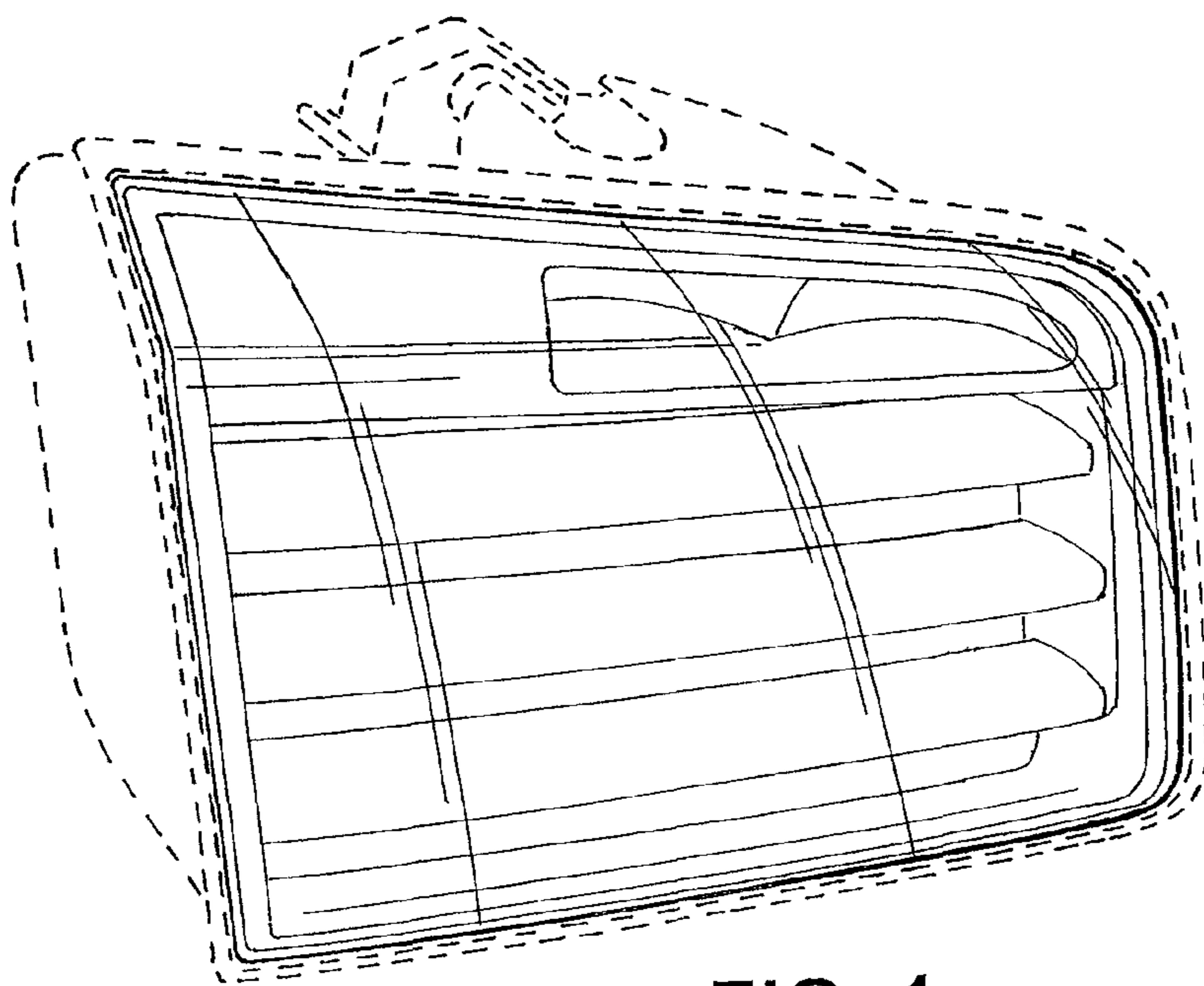


FIG. 1

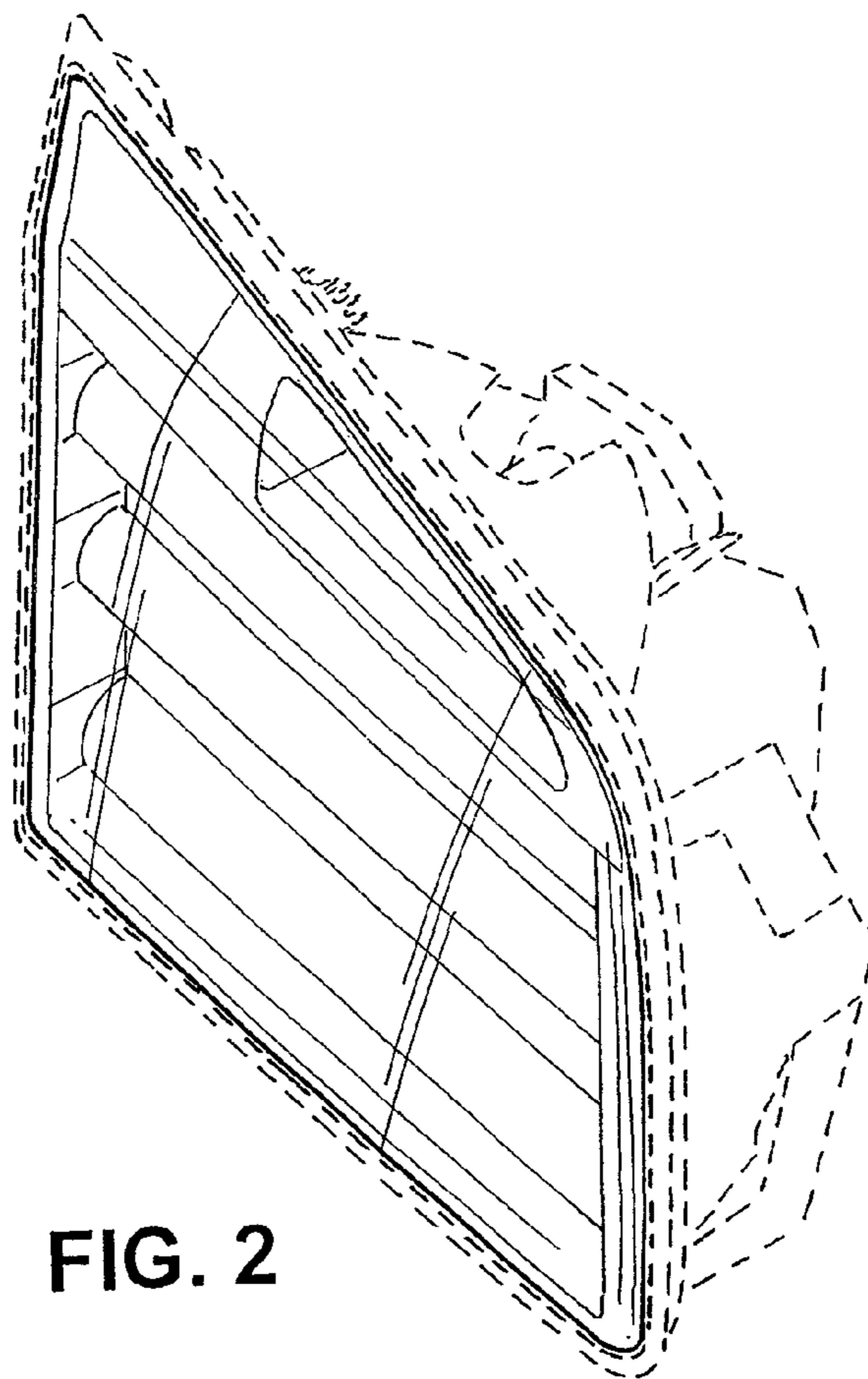


FIG. 2

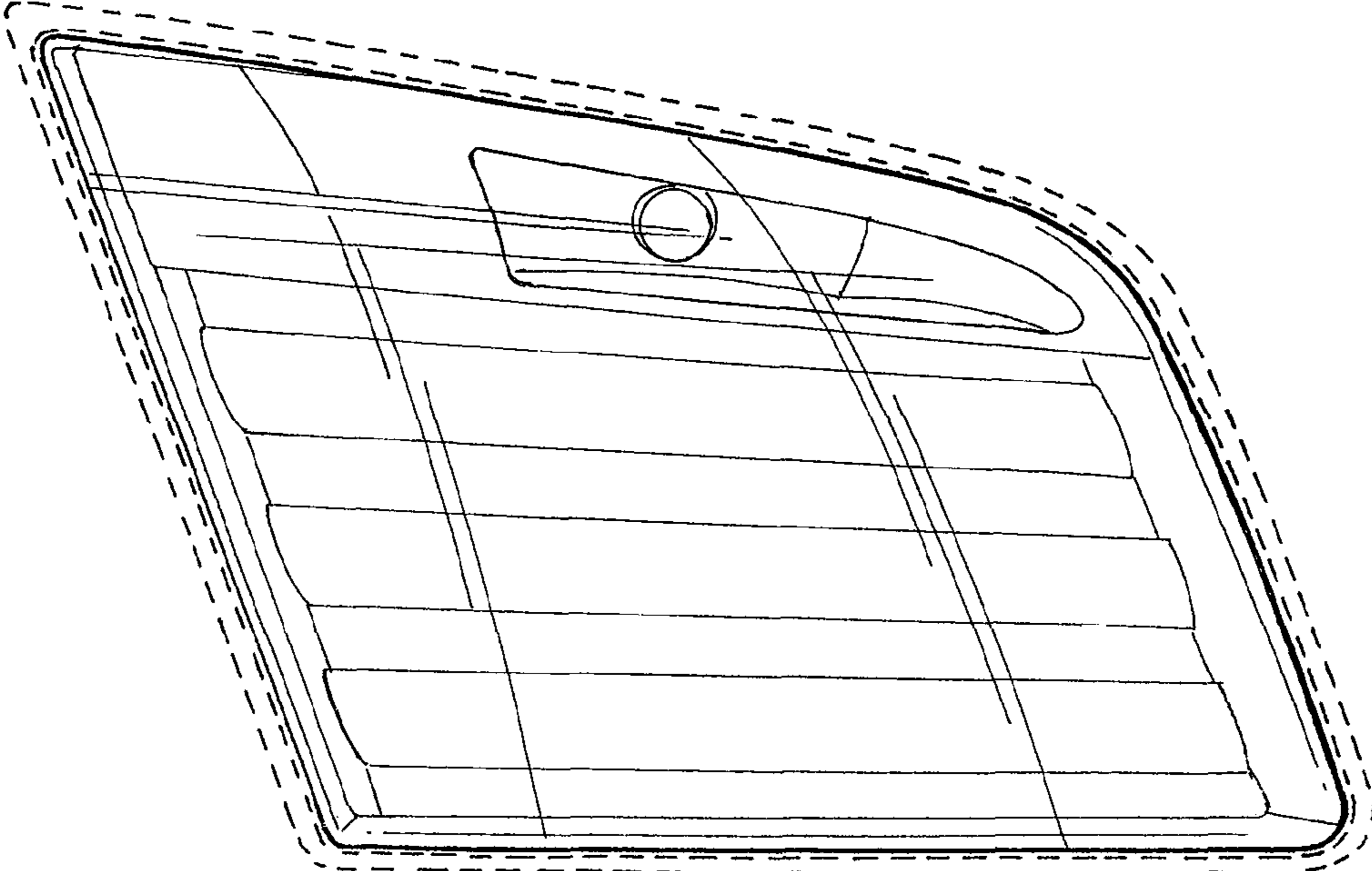


FIG. 3

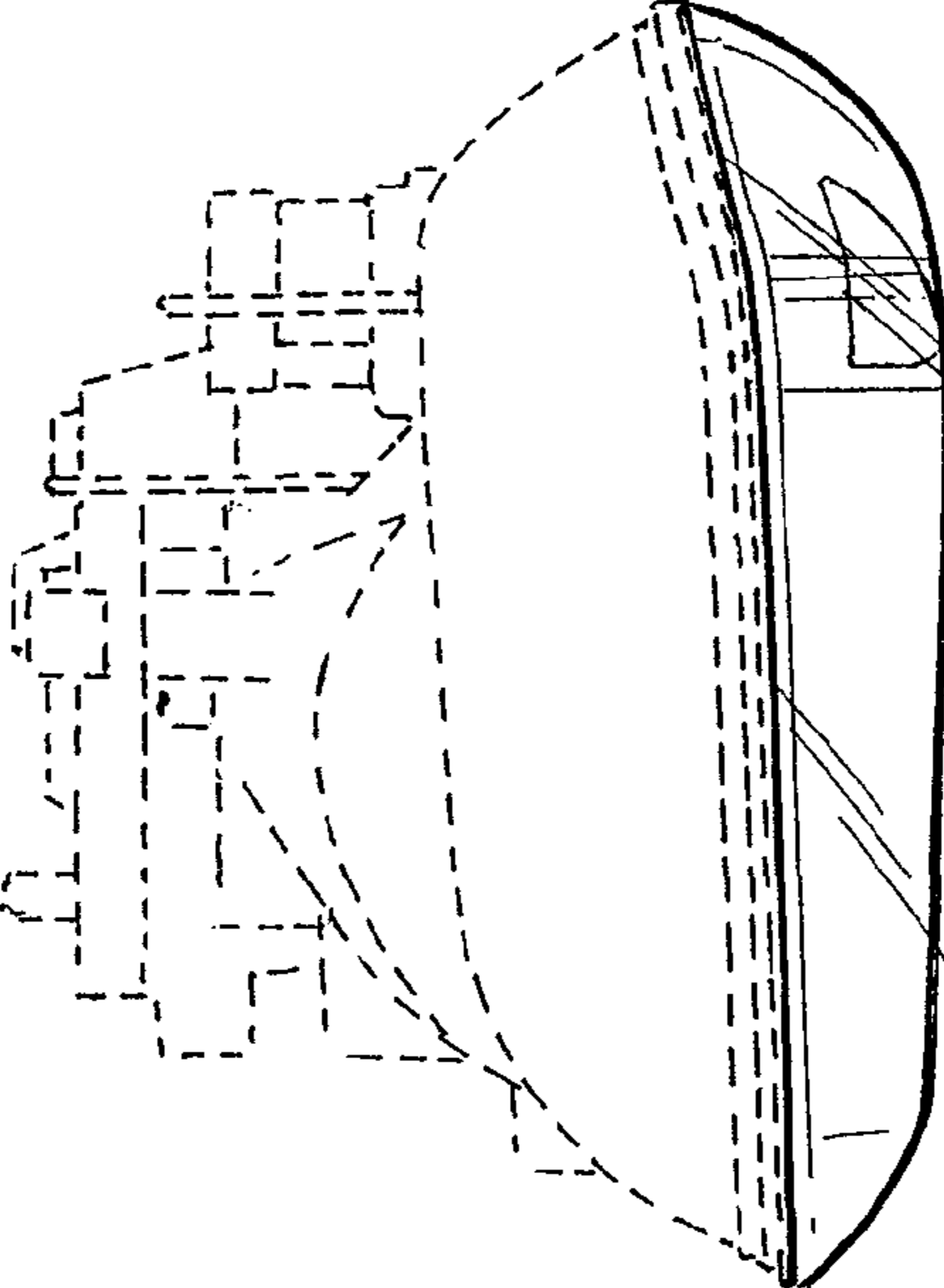


FIG. 4

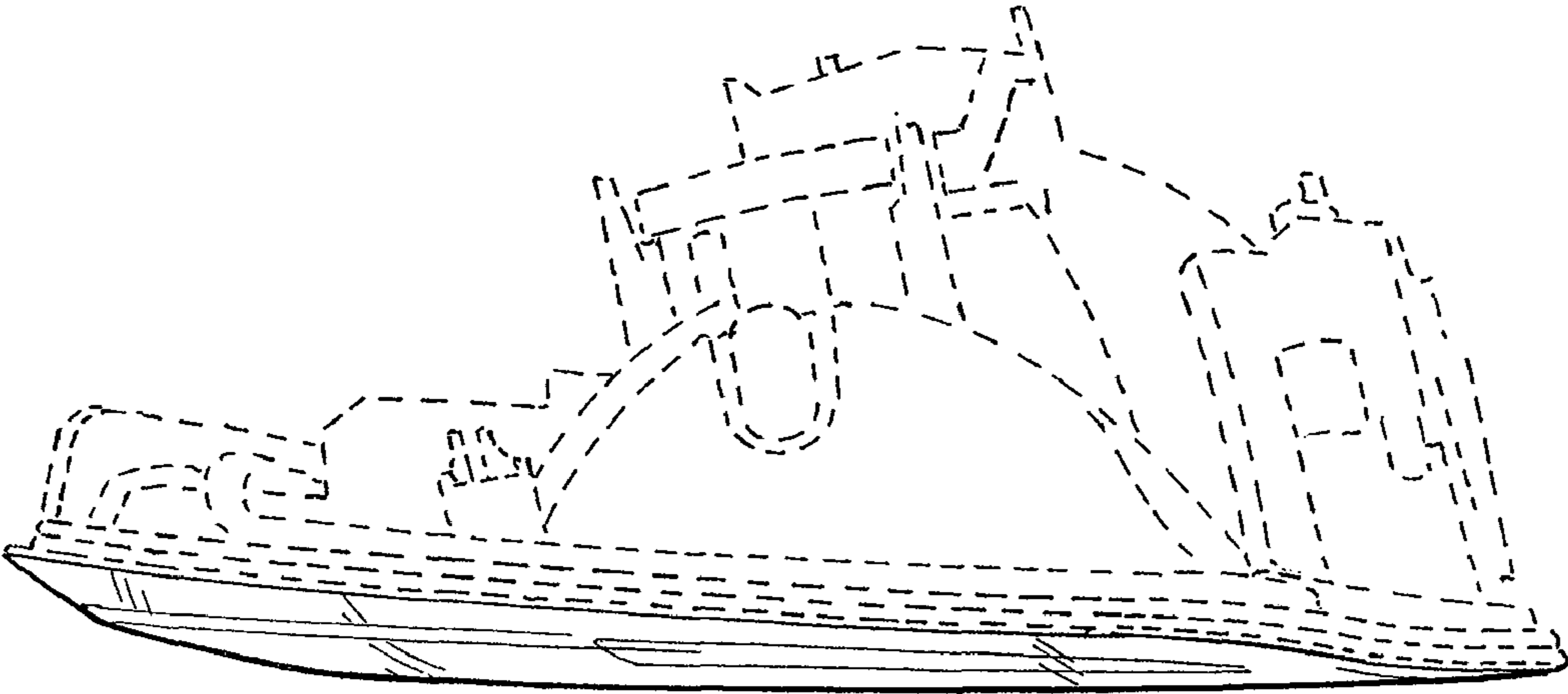


FIG. 5

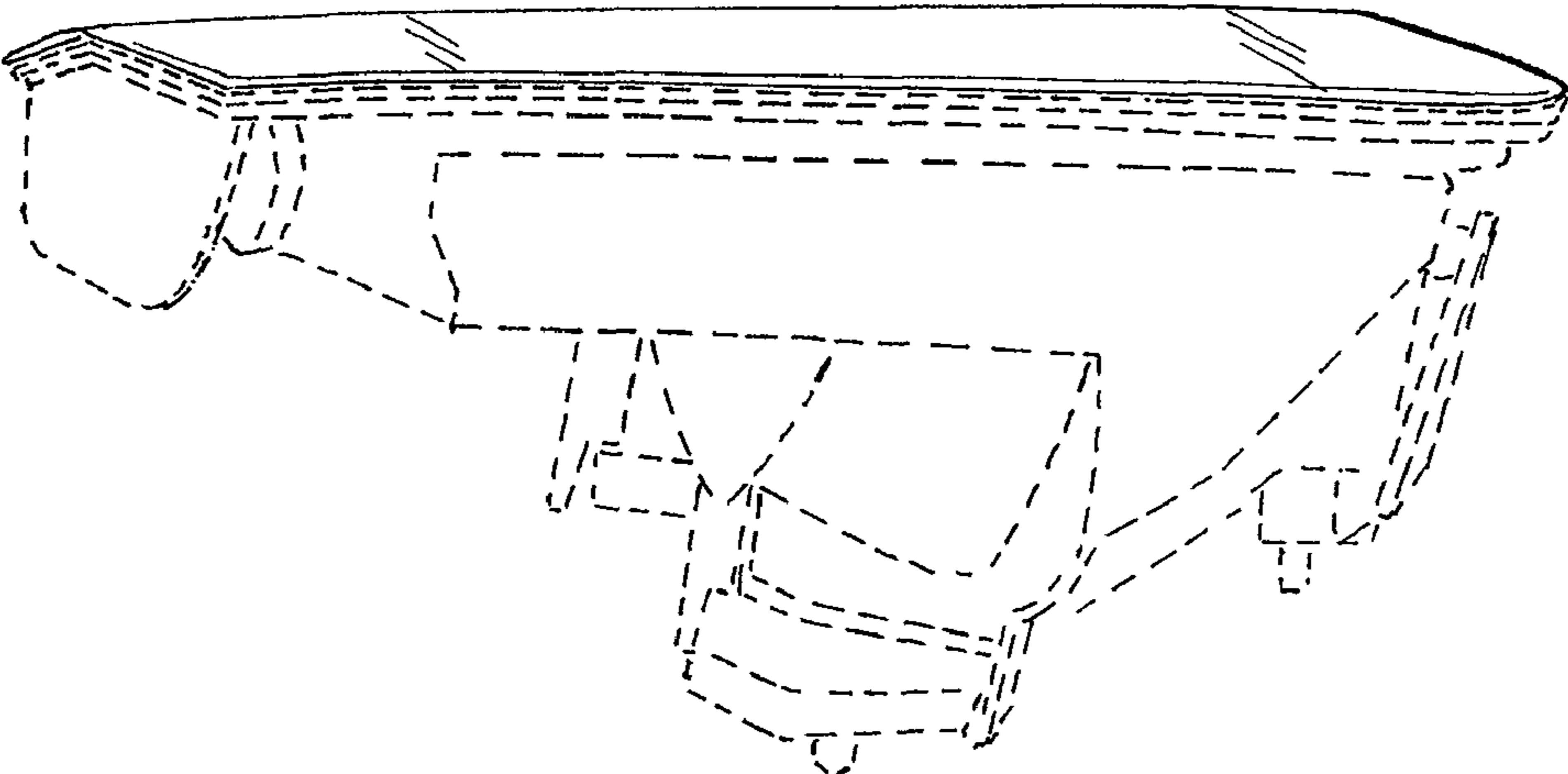


FIG. 6

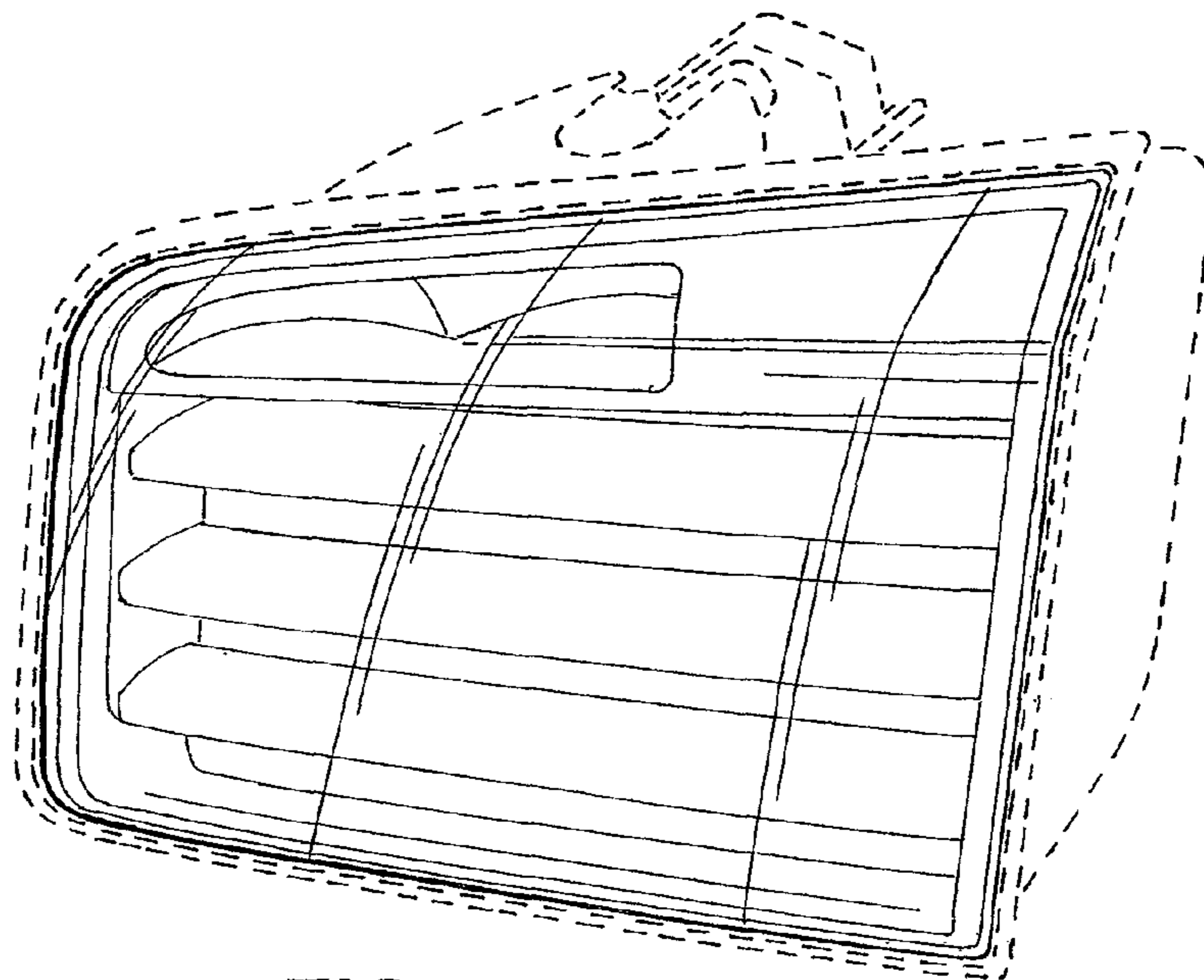


FIG. 7

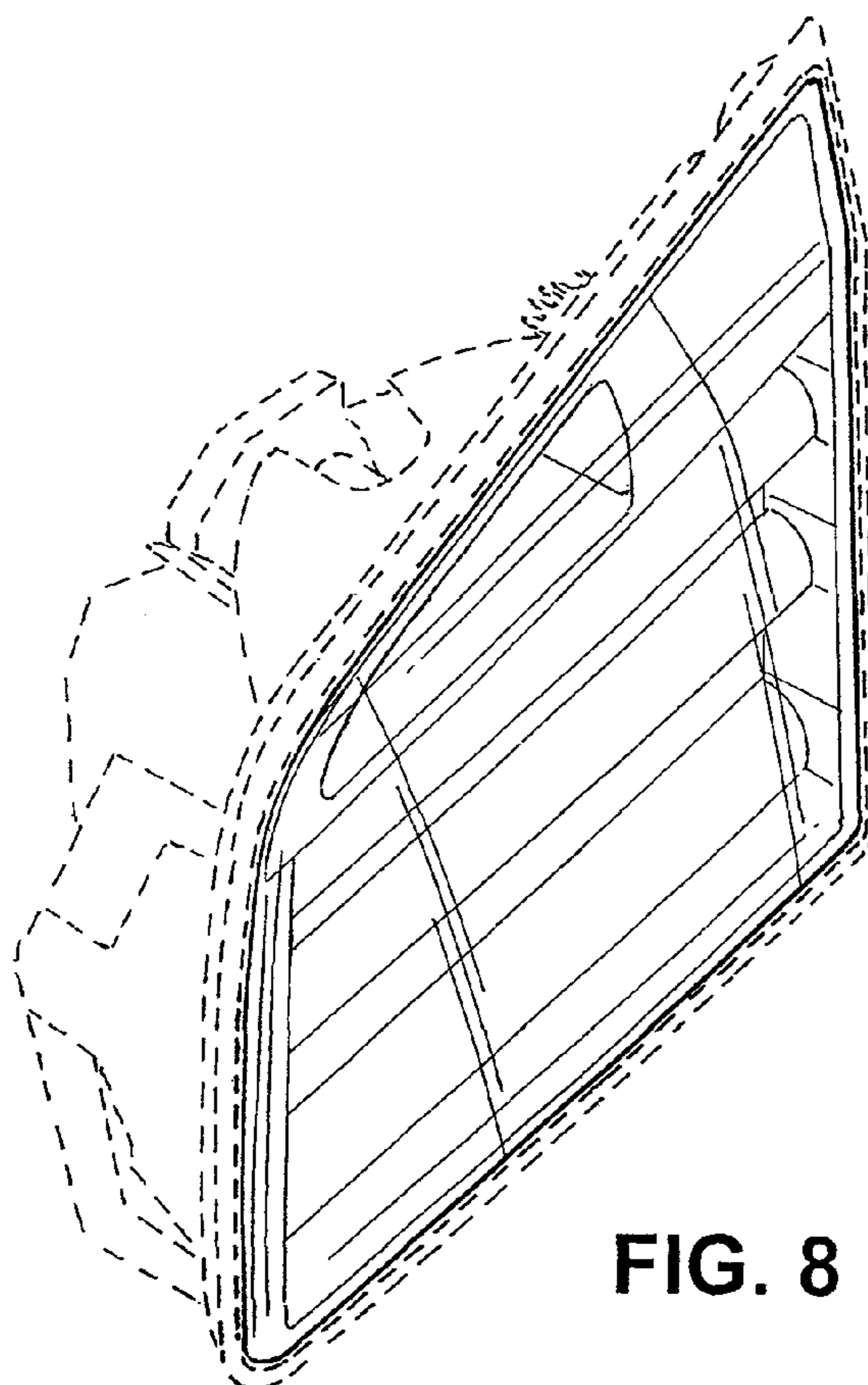


FIG. 8

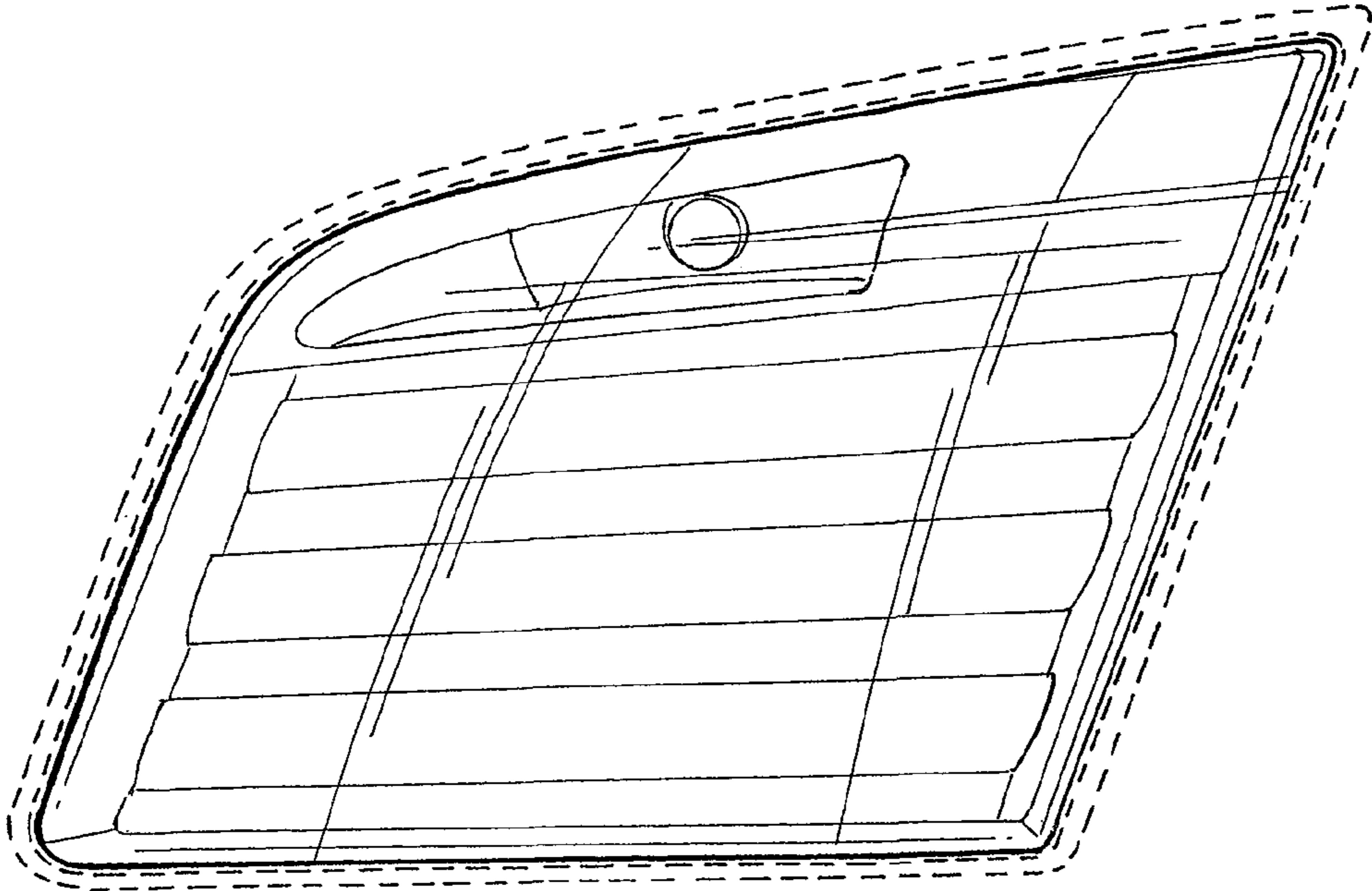


FIG. 9

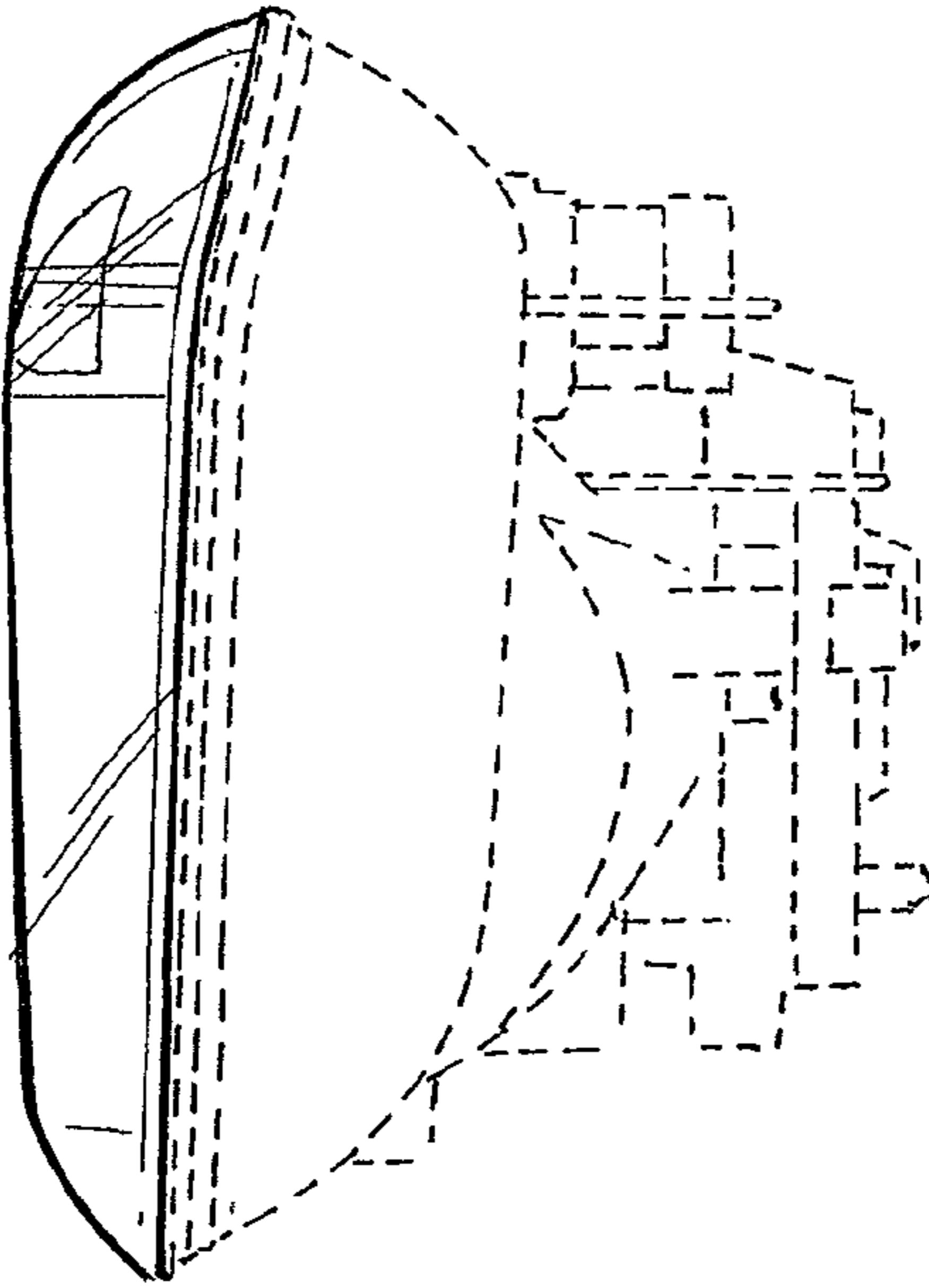


FIG. 10

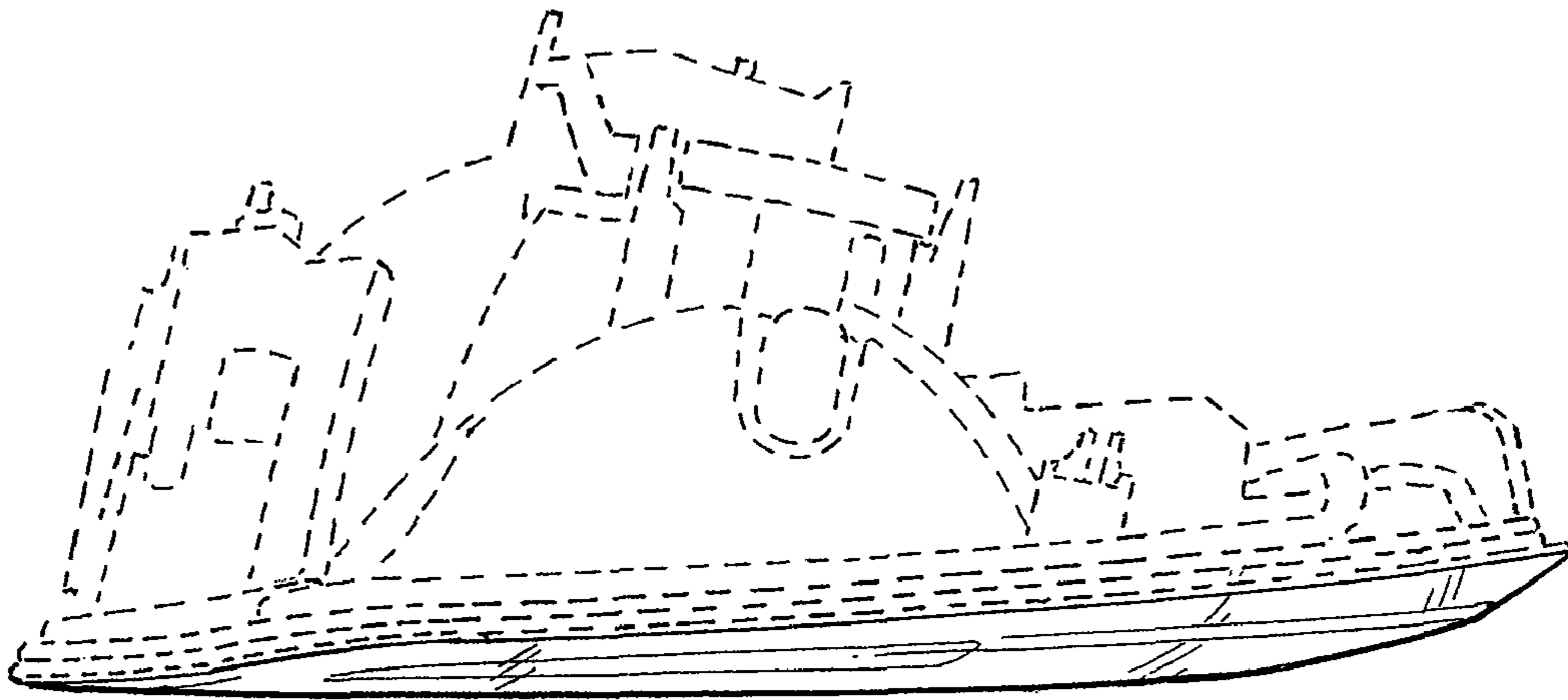


FIG. 11

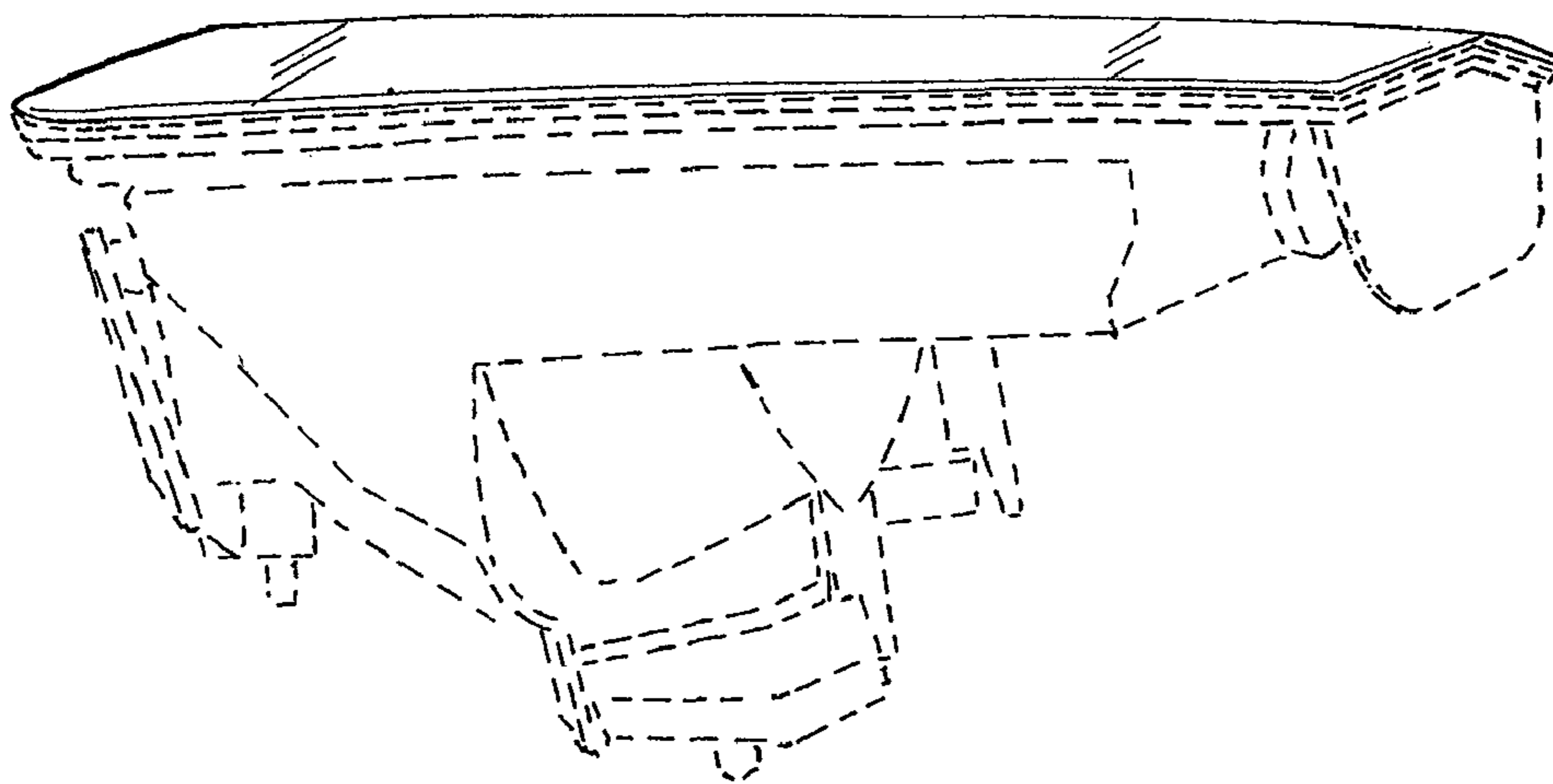


FIG. 12