



US00D638556S

(12) **United States Design Patent**
Song et al.

(10) **Patent No.:** **US D638,556 S**

(45) **Date of Patent:** **** May 24, 2011**

(54) **VEHICLE HEADLIGHT**

(75) Inventors: **Solomon H Song**, Farmington Hills, MI (US); **Robert Todd Laster**, Wixom, MI (US); **Darrell Paul Behmer**, Novi, MI (US); **Moray Stuart Callum**, Ann Arbor, MI (US)

(73) Assignee: **Ford Motor Company**, Dearborn, MI (US)

(**) Term: **14 Years**

(21) Appl. No.: **29/295,959**

(22) Filed: **Oct. 11, 2007**

(51) **LOC (9) Cl.** **26-06**

(52) **U.S. Cl.** **D26/28**

(58) **Field of Classification Search** D26/28-36;
362/459-468, 475-478, 485-487
See application file for complete search history.

(56) **References Cited**

U.S. PATENT DOCUMENTS

D527,138 S	8/2006	Golden	
D550,383 S *	9/2007	Asai	D26/28
D556,349 S *	11/2007	Golden et al.	D26/28
D560,291 S *	1/2008	Koyama	D26/28
D561,358 S *	2/2008	Tachibana	D26/28
D561,359 S *	2/2008	Hsu	D26/28

OTHER PUBLICATIONS

Detroit Auto Show: A conversation with Peter Horbury, Detroit 2007, <http://www.autoblog.com> (18 pages).
Cheers & Gears Forums > New Lincoln Flagship Planned <http://www.cheersandgears.com> (1 page), Prior to Nov. 13, 2007.
Straightline—Spy Photos: 2009 Lincoln MKS <http://blogs.edmunds.com> (2 pages).
Jalopnik: Obsessed With The Cult Of Cars <http://jalopnik.com> (10 pages), Prior to Nov. 13, 2007.
Jalopnik photos (3 pages), Prior to Nov. 13, 2007.

(Continued)

Primary Examiner — Marcus A Jackson

(74) *Attorney, Agent, or Firm* — Damian Porcari

(57) **CLAIM**

The ornamental design of a vehicle headlight, as shown and described.

DESCRIPTION

FIG. 1 is a front elevational view of a left vehicle headlight (as viewed from the front of the vehicle), the outer lens having been rendered opaque using the Computer Aided Design tools to better illustrate the exterior decorative surfaces (only the left vehicle headlight is illustrated, the right being a mirror of the left);

FIG. 2 is a front elevational view of the area labeled 2 in FIG. 1 where the lens has been rendered transparent using the Computer Aided Design tools to better illustrate the interior decorative surfaces (the area selection line 2 in both FIG. 1 and FIG. 2 are not a broken lines and the area 2 is claimed);

FIG. 3 is a left side elevational view of the vehicle headlight, the outer lens having been rendered opaque using the Computer Aided Design tools to better illustrate the exterior decorative surfaces;

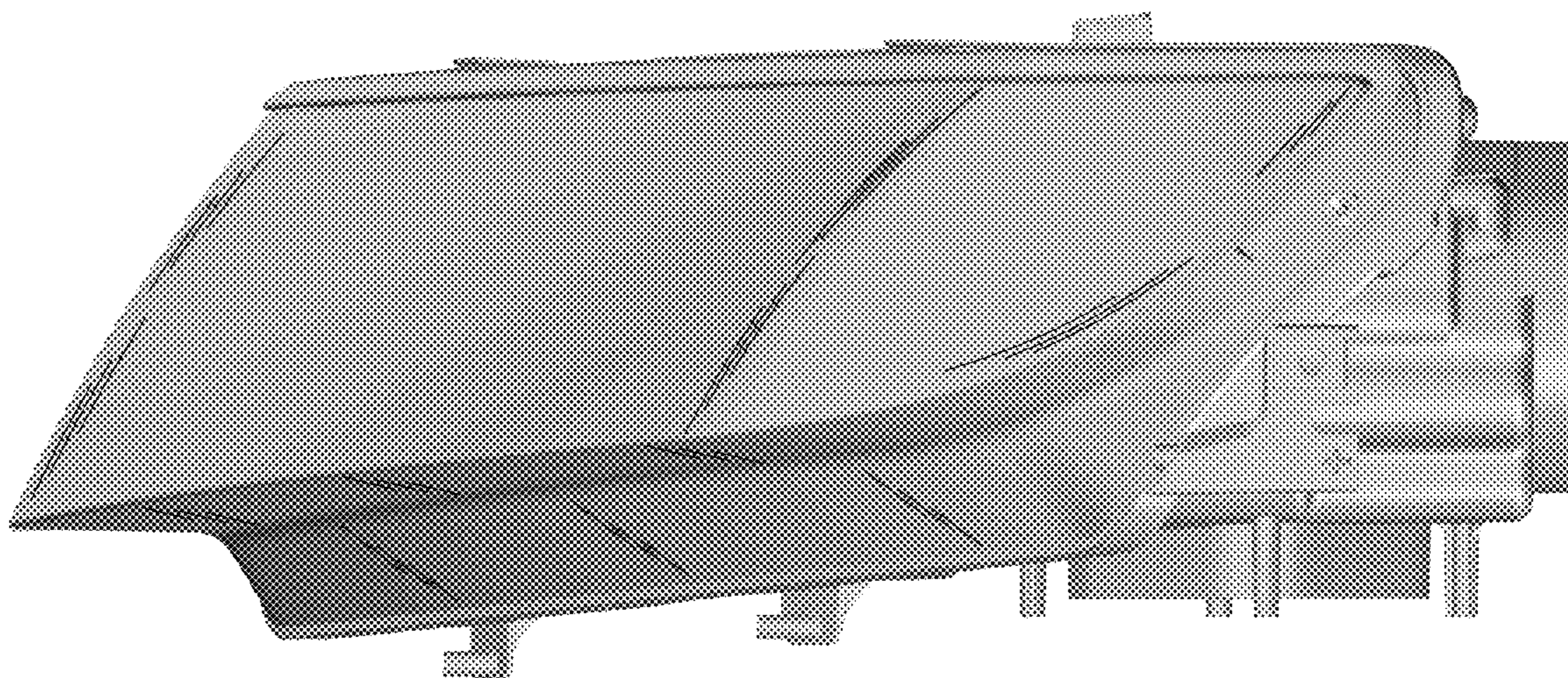
FIG. 4 is a right side elevational view of the vehicle headlight;

FIG. 5 is a top plan view of the vehicle headlight; and,

FIG. 6 is bottom plan view of the vehicle headlight.

The vehicle headlight is styled independently of adjacent vehicle panels. To the extent that any feature lines are illustrated, they are intended to illustrate the crest and valley of the feature and are not necessarily sharp bends in the part. Shading is used to illustrate the curvature of the part and not color. Any functional features of the vehicle headlight are not claimed. Views are orthogonal projections unless otherwise noted. The various views are not necessarily to scale in order to better illustrate the design. The drawings were generated using Computer Aided Design tools. Highlights and shading were added to the drawings to better illustrate the three-dimensional features of the part. The vehicle headlight is intended to be observed in various states of internal illumination as well as in daylight with no internal illumination.

1 Claim, 6 Drawing Sheets



OTHER PUBLICATIONS

Spy Photos: 2009 Lincoln MKS from New Batman Movie <http://jalopnik.com> (2 pages).

Lincoln Concept MKR, Detroit 2007 (4 pages).

Ford Motor Company Lincoln MKS Side View Photo—Motor Trend Magazine <http://www.motortrend.com> (3 pages), Prior to Nov. 13, 2007.

Reader Spycam: 2009 Lincoln MKS <http://blogs.motortrend.com> (5 pages).

Popular Mechanics, Lincoln MKS, Town Car Successor, May 21, 2007 <http://www.popularmechanics.com> (1 page).

Winding Road, Spied: Lincoln MKS Sedan, Apr. 18, 2007 <http://news.windingroad.com> (2 pages).

Lincoln Concept Zephyr, Detroit 2005 (4 pages).

Lincoln Concept MKS, Detroit 2006 (4 pages).

Lincoln MKZ AWD (P) 4dr Sedan, New York 2007 (4 pages).

* cited by examiner

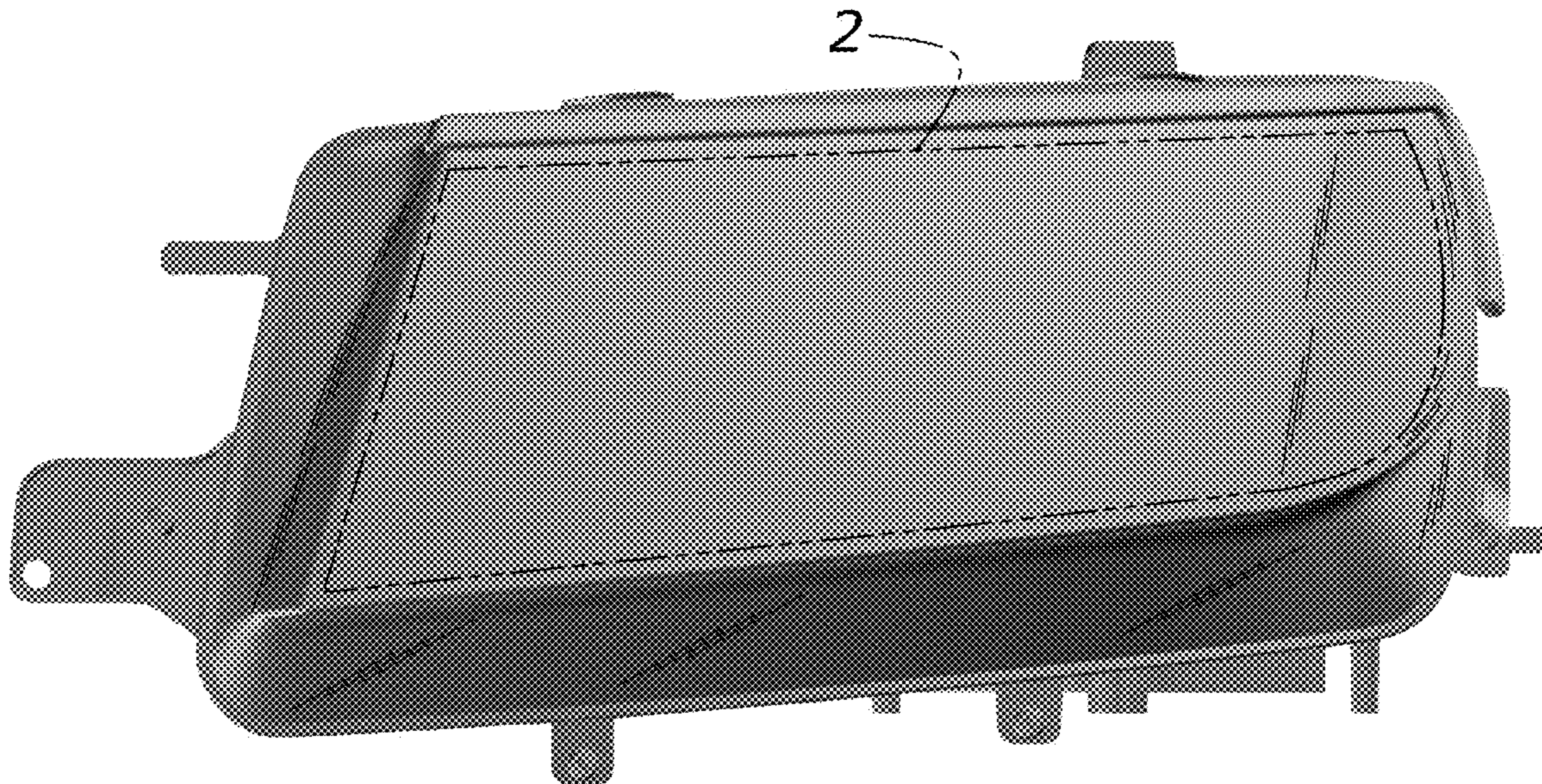


Figure 1

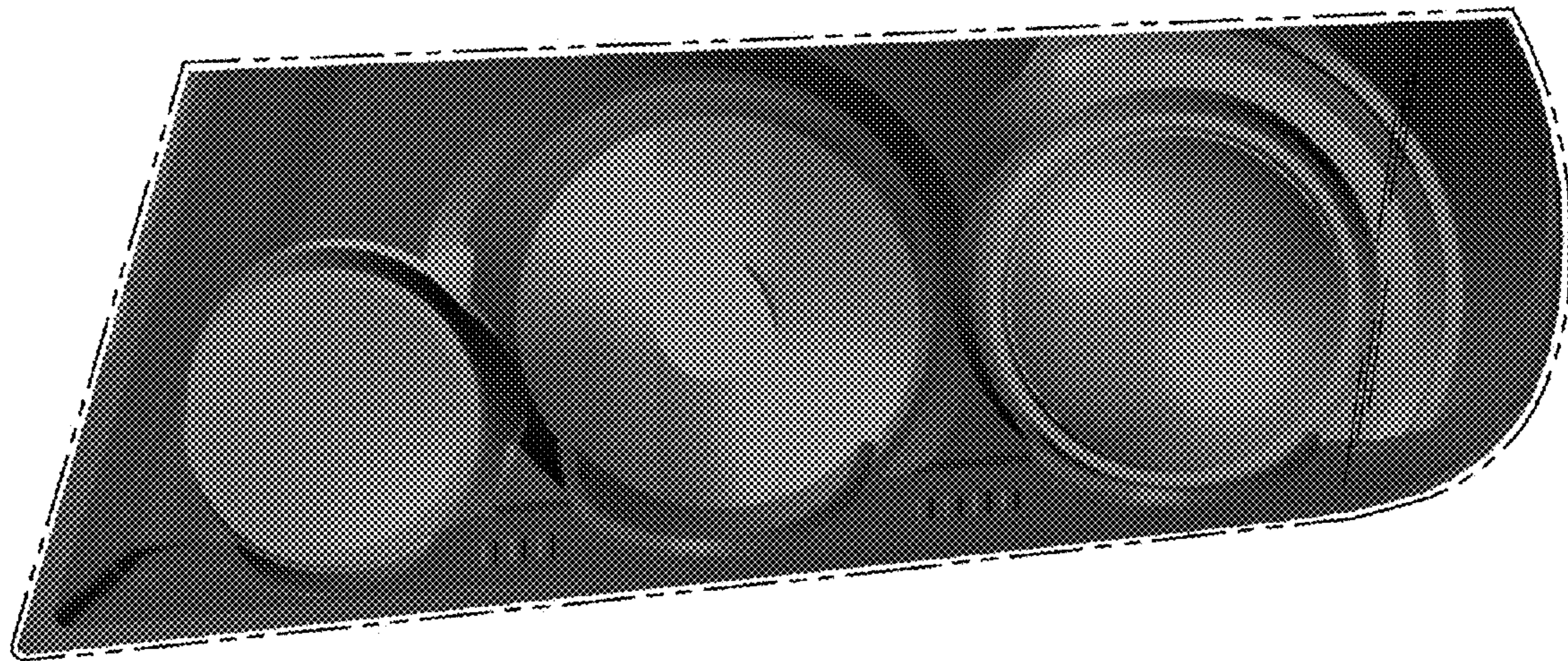


Figure 2

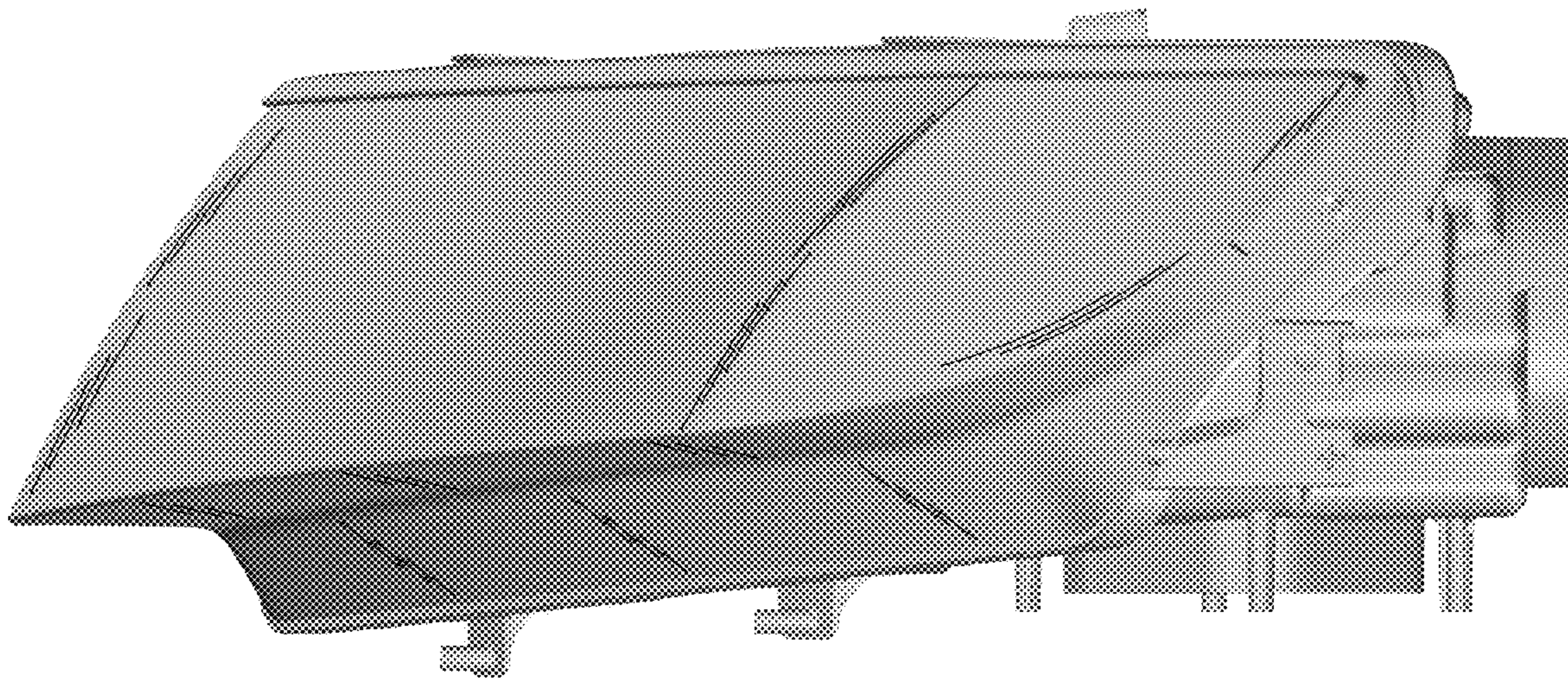


Figure 3

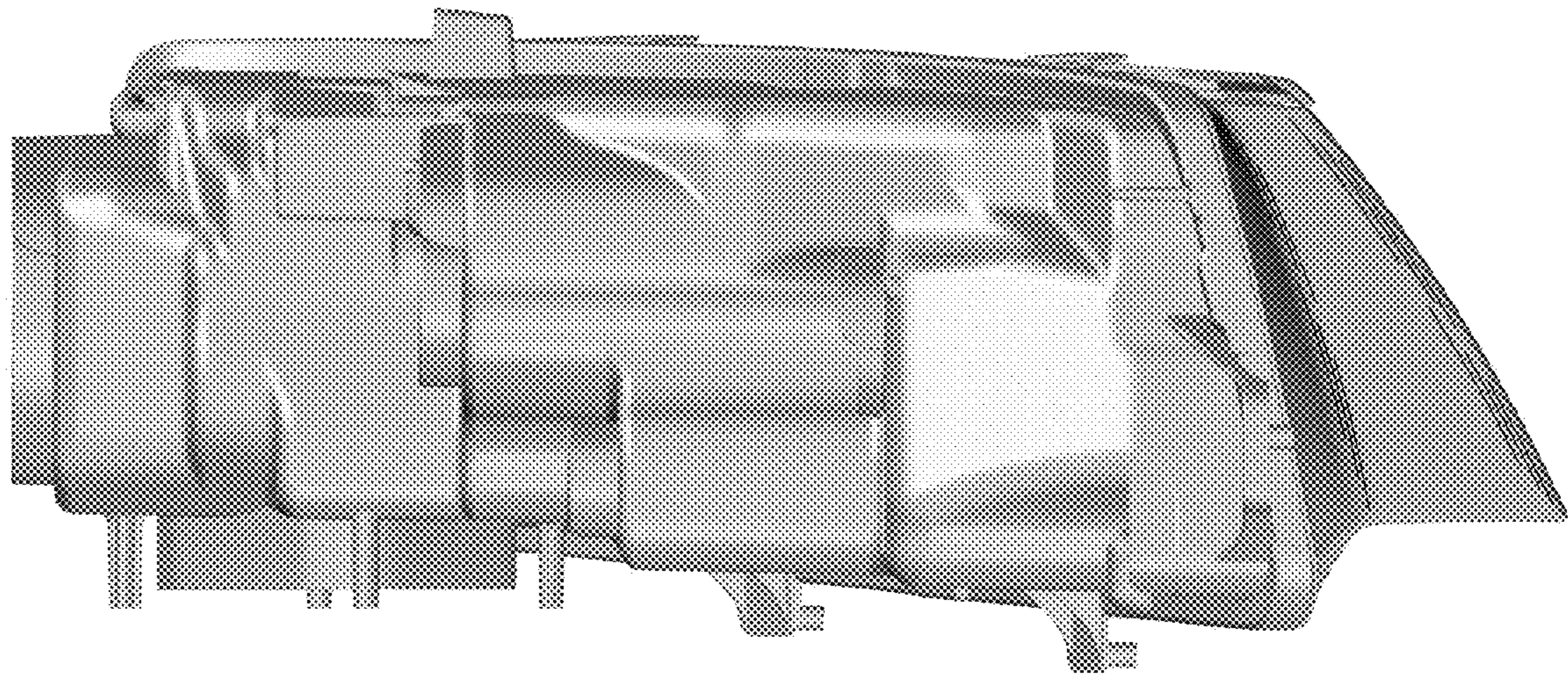
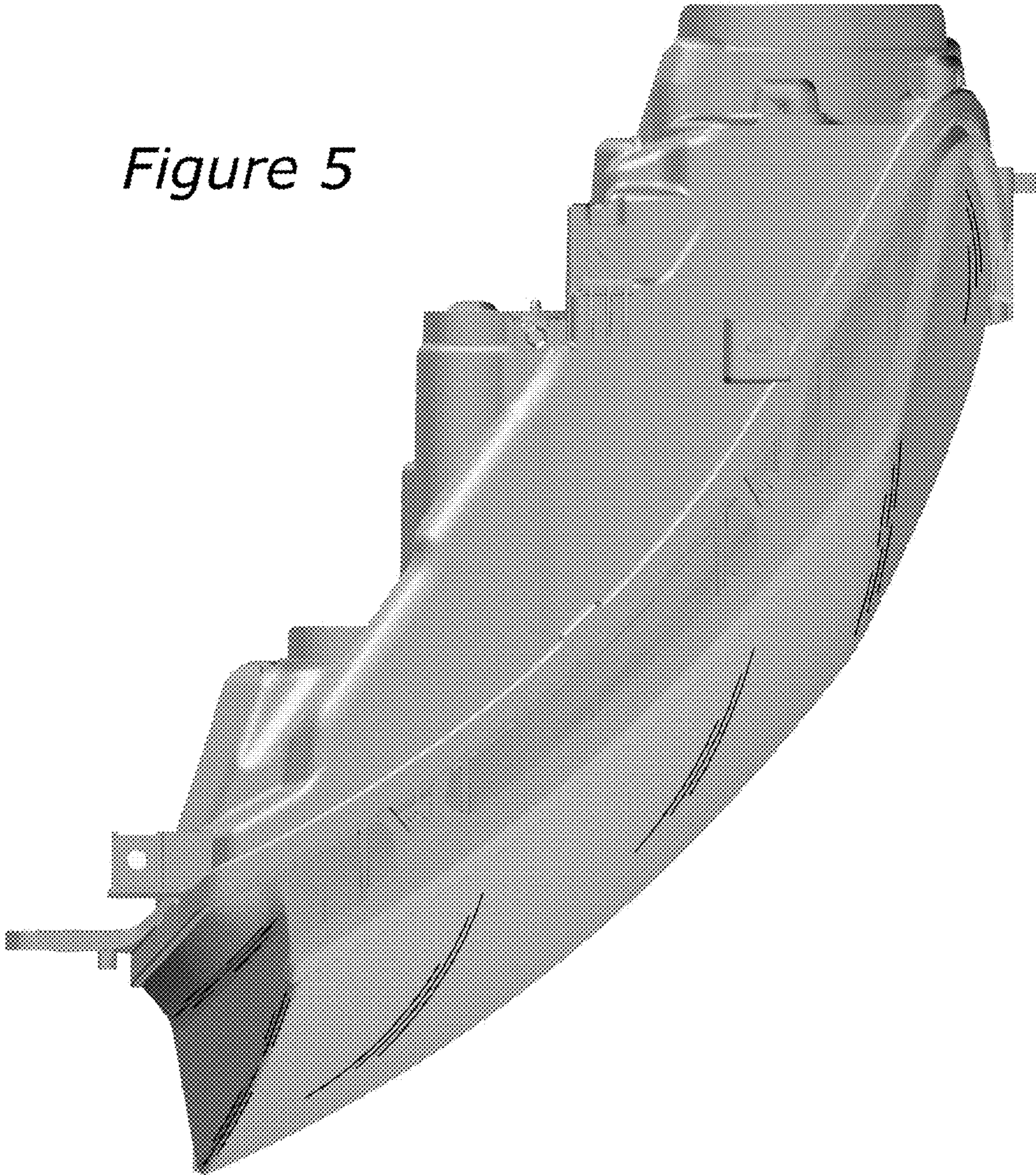


Figure 4

Figure 5



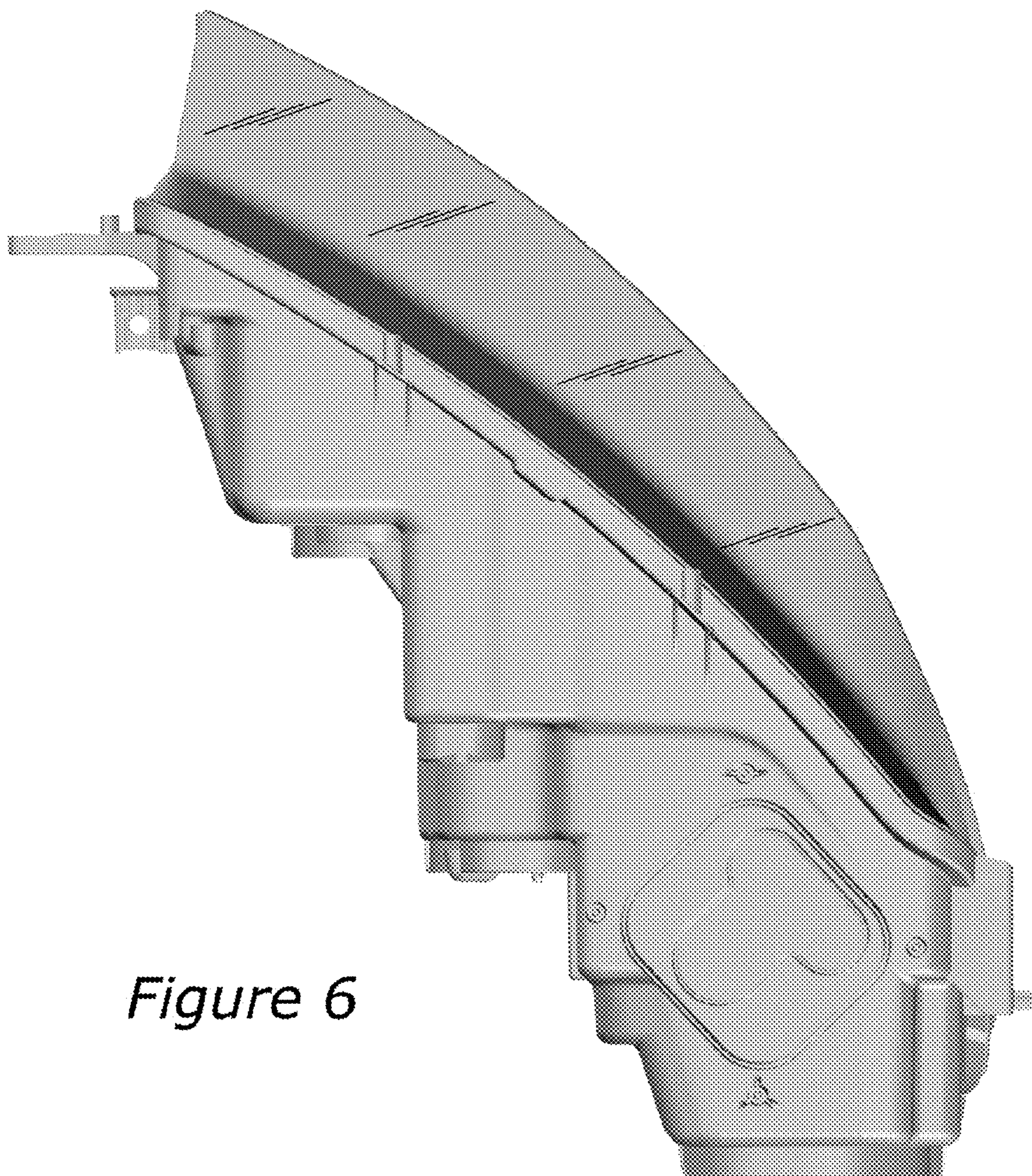


Figure 6