



US00D638554S

(12) **United States Design Patent**
Bub

(10) **Patent No.:** **US D638,554 S**

(45) **Date of Patent:** **** May 24, 2011**

(54) **EXTRUDED RAIL SET USED FOR MOUNTING SOLAR PANELS ON SLIGHTLY SLANTED ROOFS**

FOREIGN PATENT DOCUMENTS

DE	298 15 134	4/1999
DE	20 2006 012 495	7/2006
DE	20 2006 009 678	12/2006
DE	20 2008 007 838	9/2008

(75) Inventor: **Fabian Bub**, Munich (DE)

* cited by examiner

(73) Assignee: **Schletter GmbH**, Kirchdorf (DE)

Primary Examiner — Doris Clark

(**) Term: **14 Years**

(74) *Attorney, Agent, or Firm* — Fennemore Craig, P.C.

(21) Appl. No.: **29/342,004**

(57) **CLAIM**

(22) Filed: **Aug. 17, 2009**

The ornamental design for a extruded rail set used for mounting solar panels on slightly slanted roofs, as shown and described.

(30) **Foreign Application Priority Data**

DESCRIPTION

Feb. 17, 2009 (DE) 20 2009 002 208

(51) **LOC (9) Cl.** **25-01**

(52) **U.S. Cl.** **D25/124**

(58) **Field of Classification Search** D25/124;
52/173.3, 93.1, 92.1, 41, 18, 200, 253, 481.1
See application file for complete search history.

FIG. 1 is a right side elevation view of a extruded rail set used for mounting solar panels on slightly slanted roofs;
FIG. 2 is a perspective view;
FIG. 3 is an opposite perspective view;
FIG. 4 is a left side elevation view;
FIG. 5 is a bottom view;
FIG. 6 is a perspective view showing the usage; and,
FIG. 7 is a right side view showing the usage.

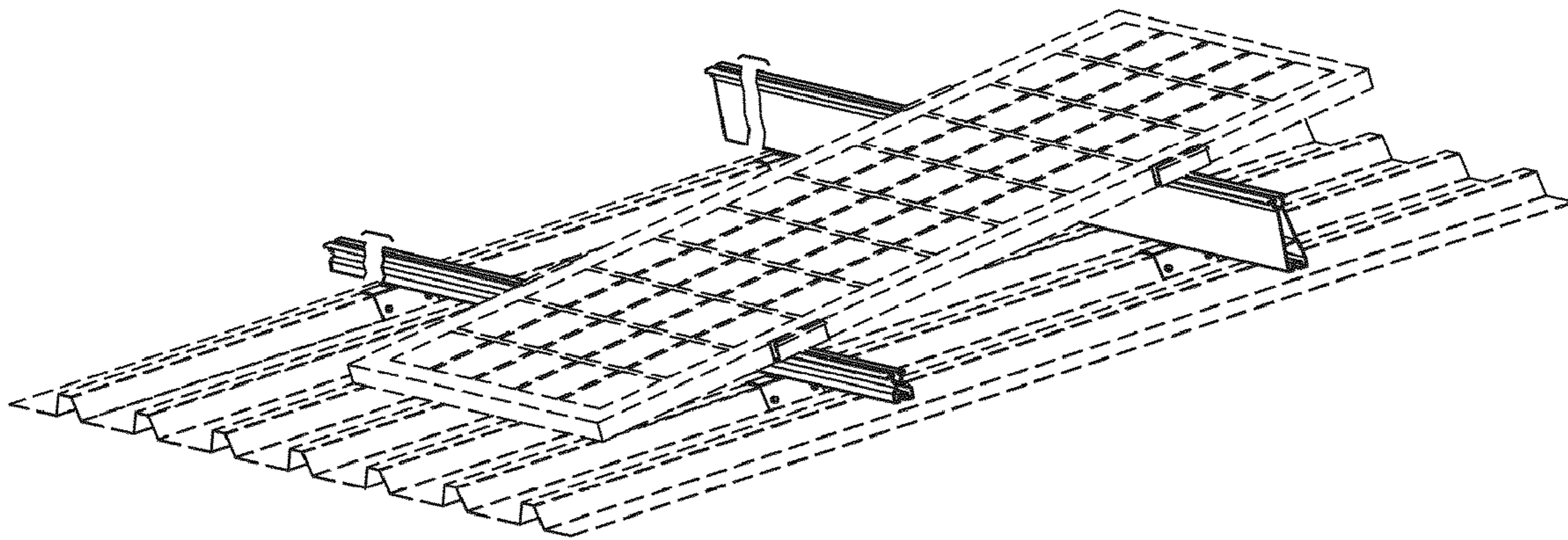
(56) **References Cited**

U.S. PATENT DOCUMENTS

5,125,608	A *	6/1992	McMaster et al.	248/163.1
5,787,653	A *	8/1998	Sakai et al.	52/173.3
5,953,869	A *	9/1999	Balfour et al.	52/200
6,584,737	B1 *	7/2003	Bradley, Jr.	52/173.3
D584,835	S *	1/2009	Adderton	D25/124
7,694,466	B2 *	4/2010	Miyamoto et al.	52/173.3

The extruded rail set used for mounting solar panels on slightly slanted roofs has been broken in the center indicating indefinite length. In FIGS. 6 and 7 the slightly slanted roof and the solar panel are shown in broken lines for illustrative purpose only and form no part of the claimed design.

1 Claim, 6 Drawing Sheets



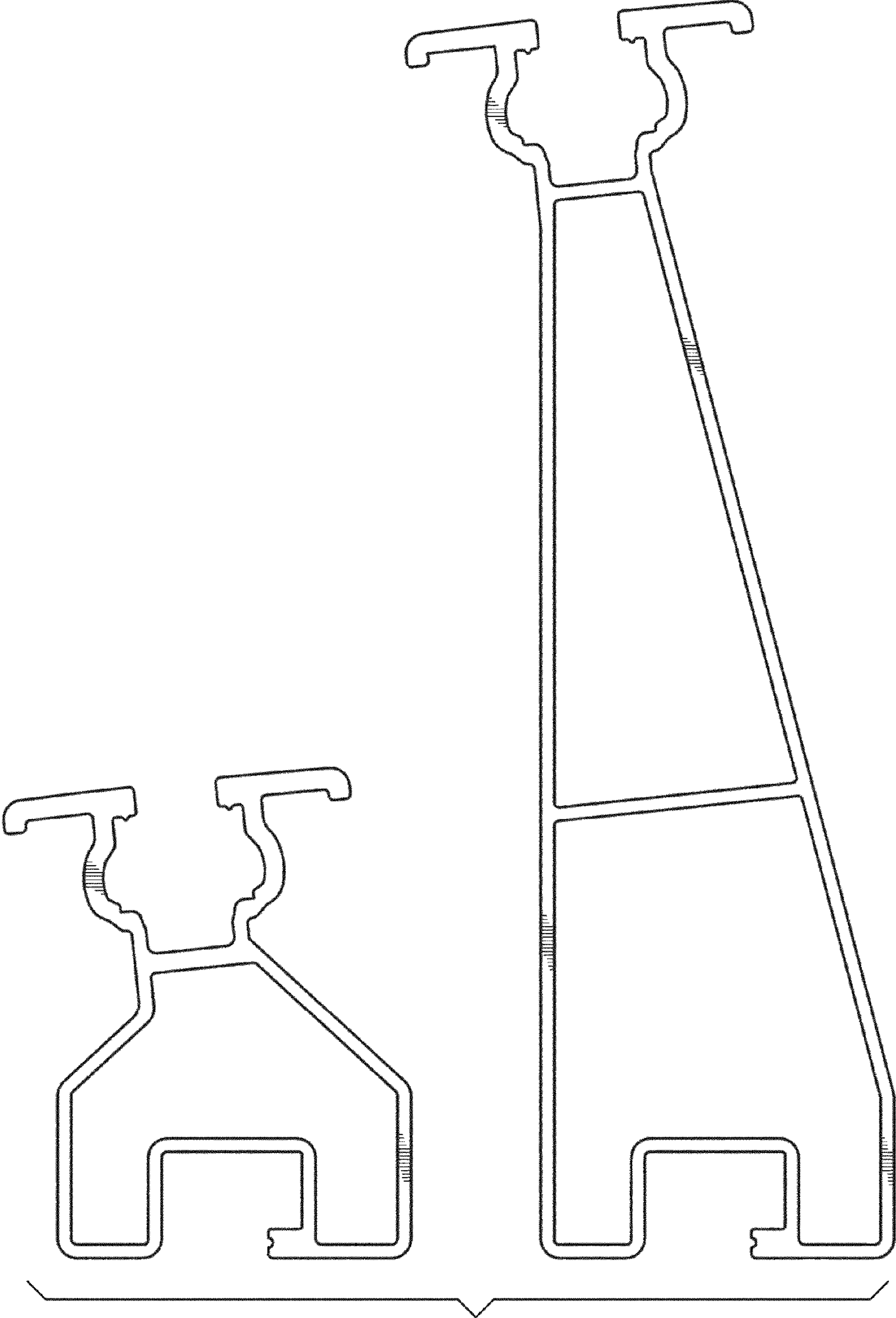


FIG. 1

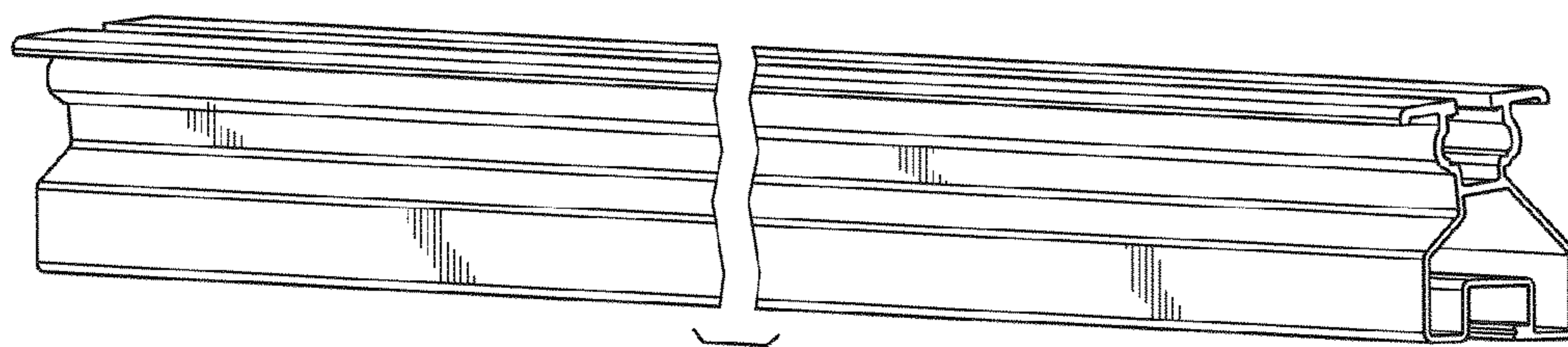
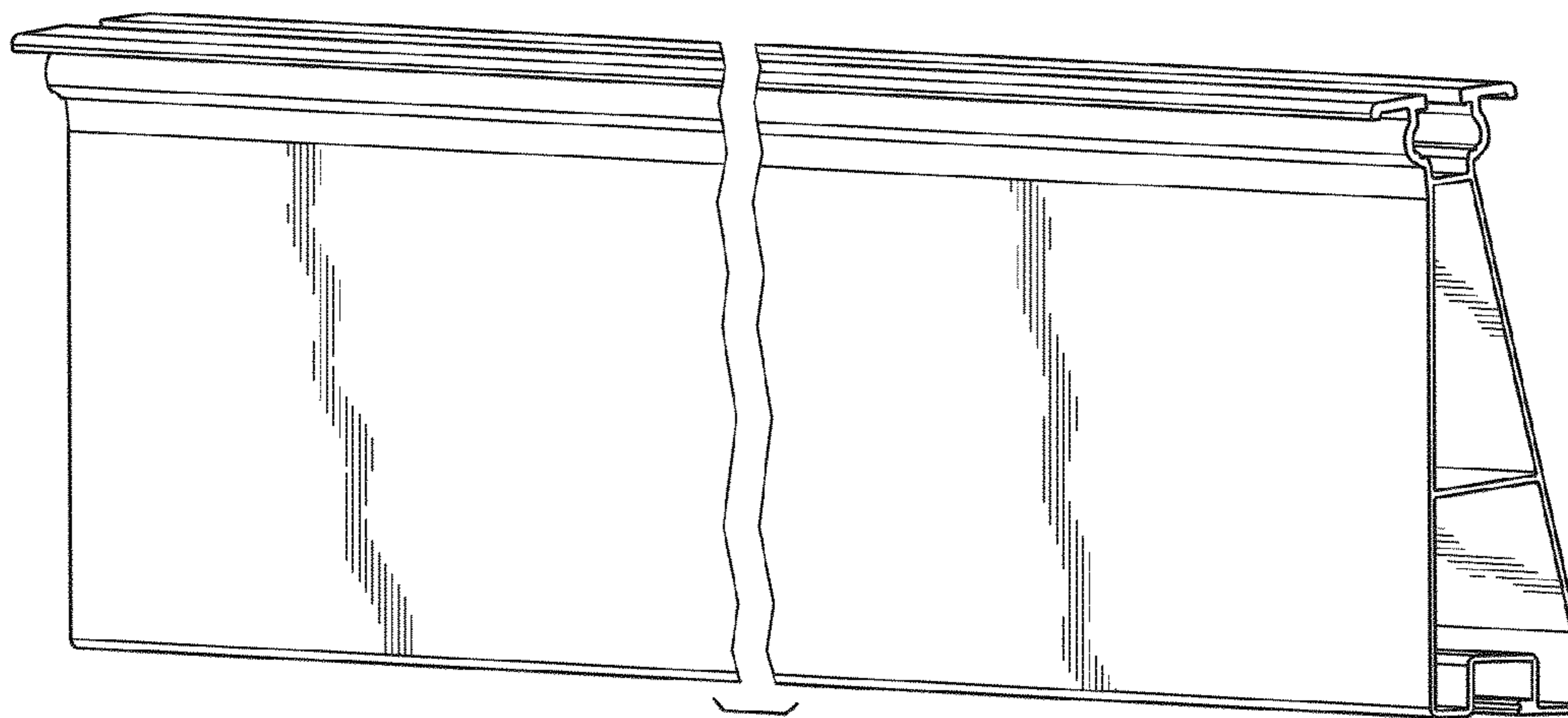


FIG. 2

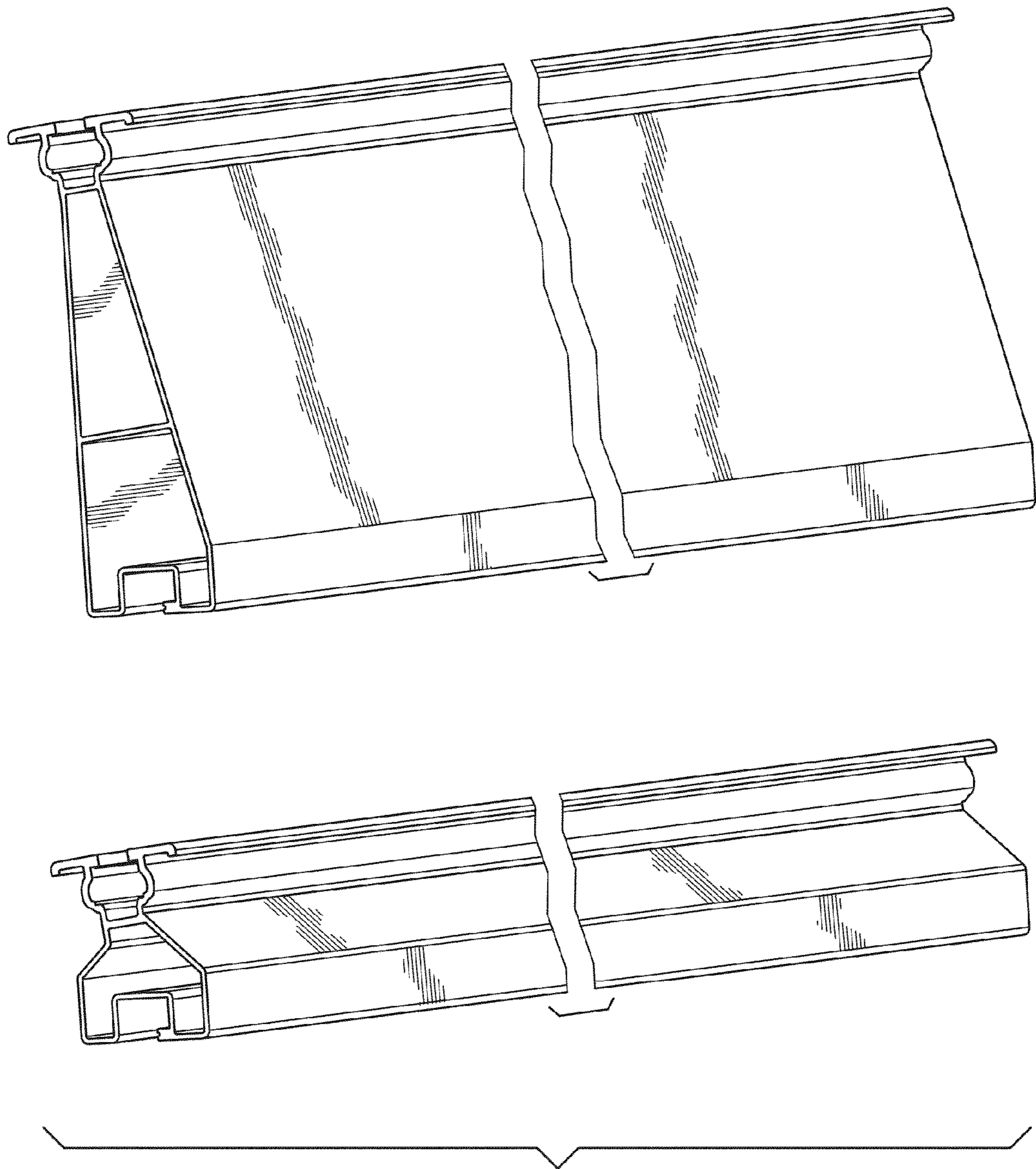


FIG. 3

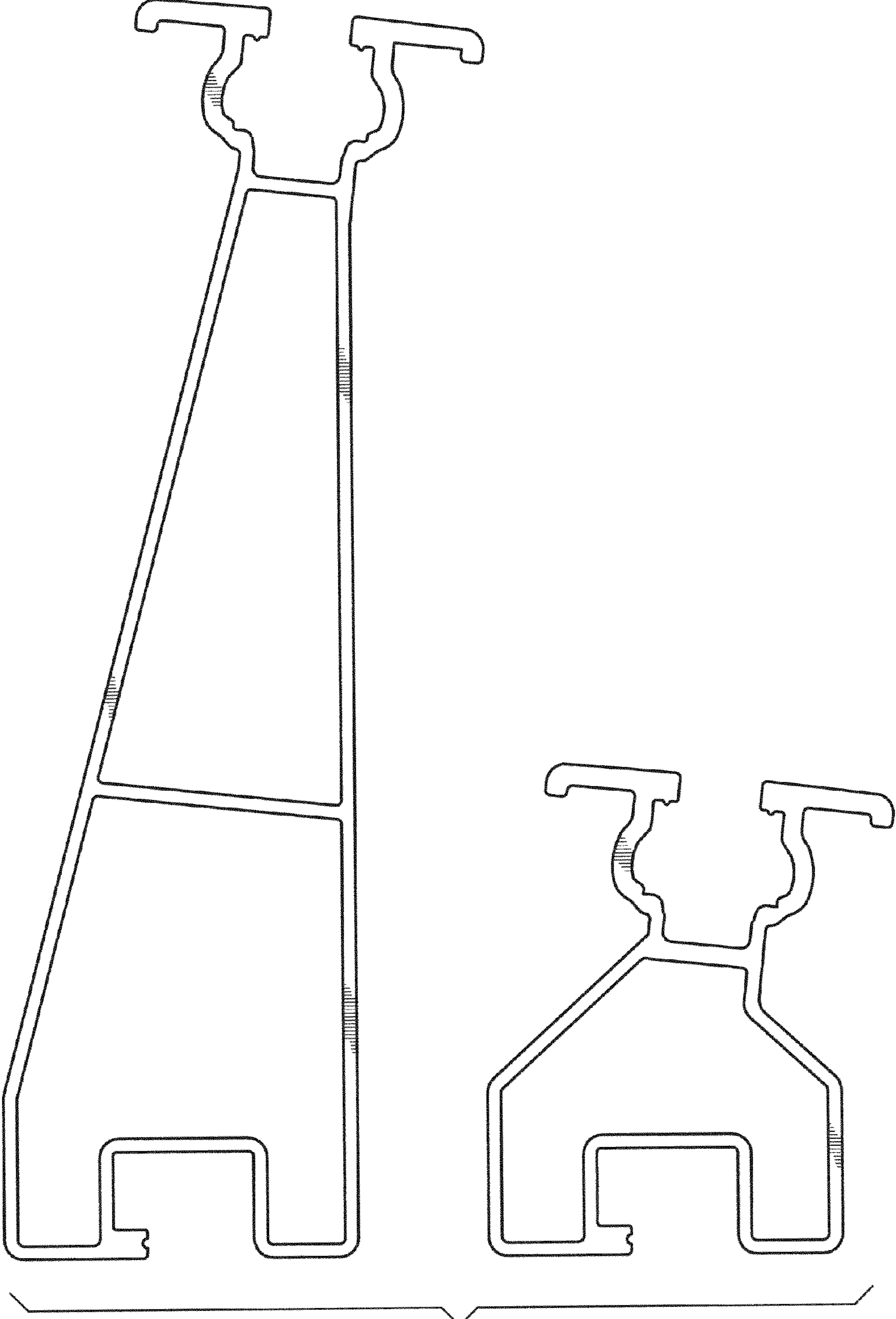


FIG. 4

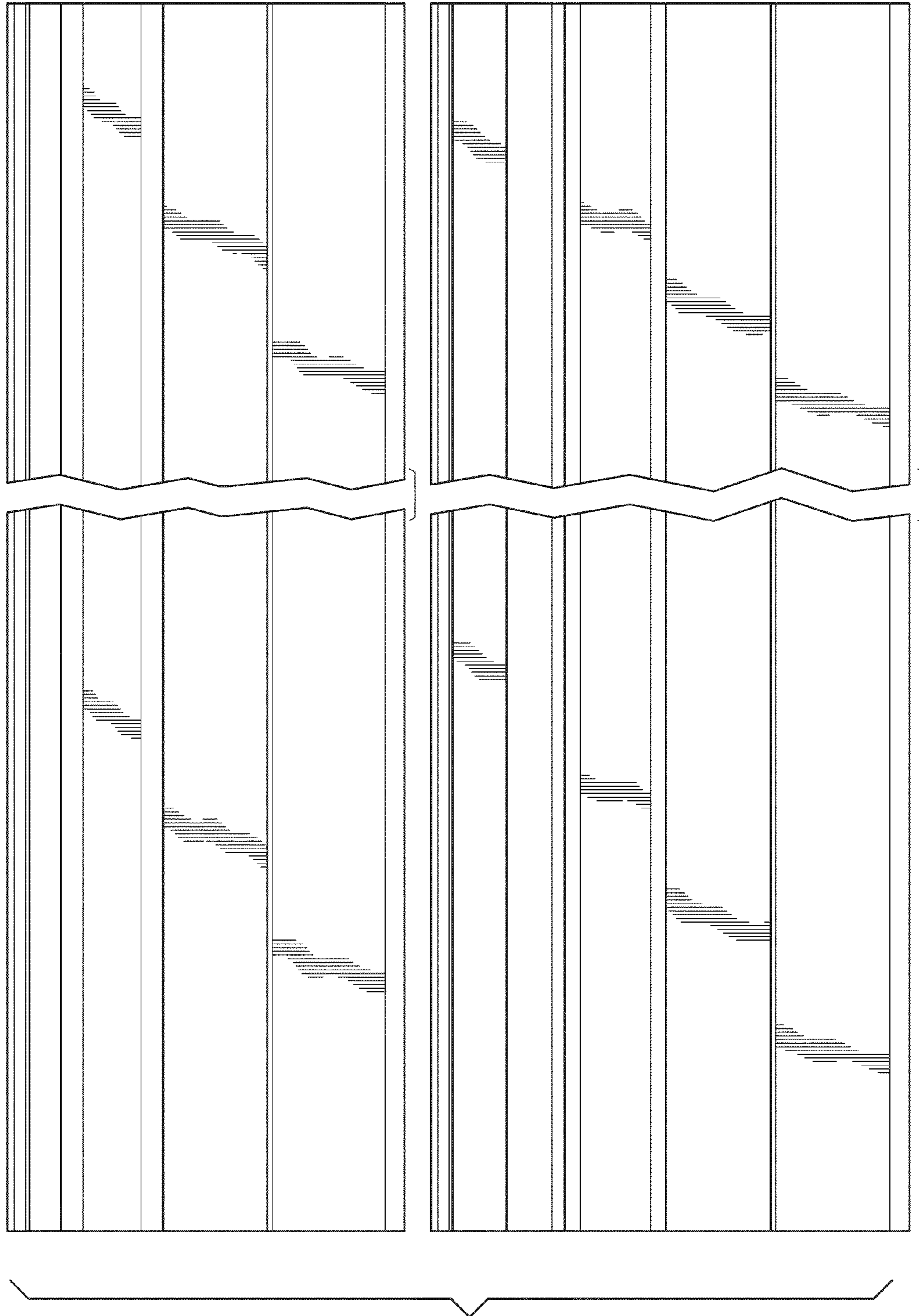


FIG. 5

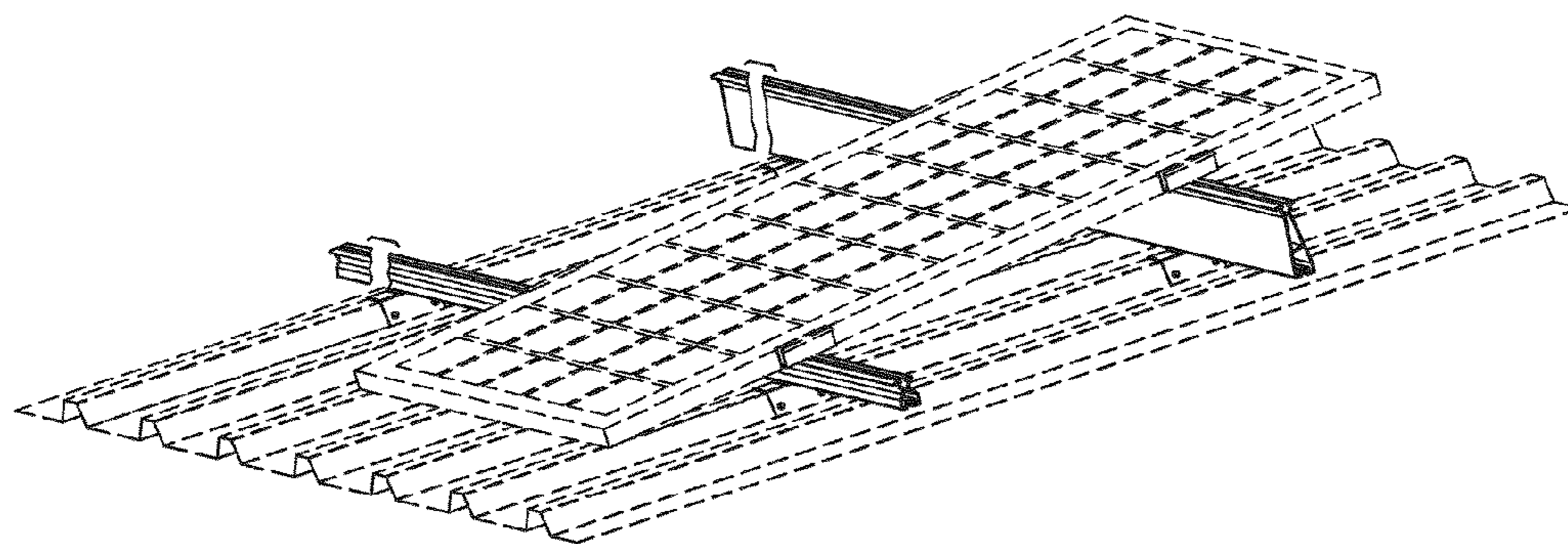


FIG. 6

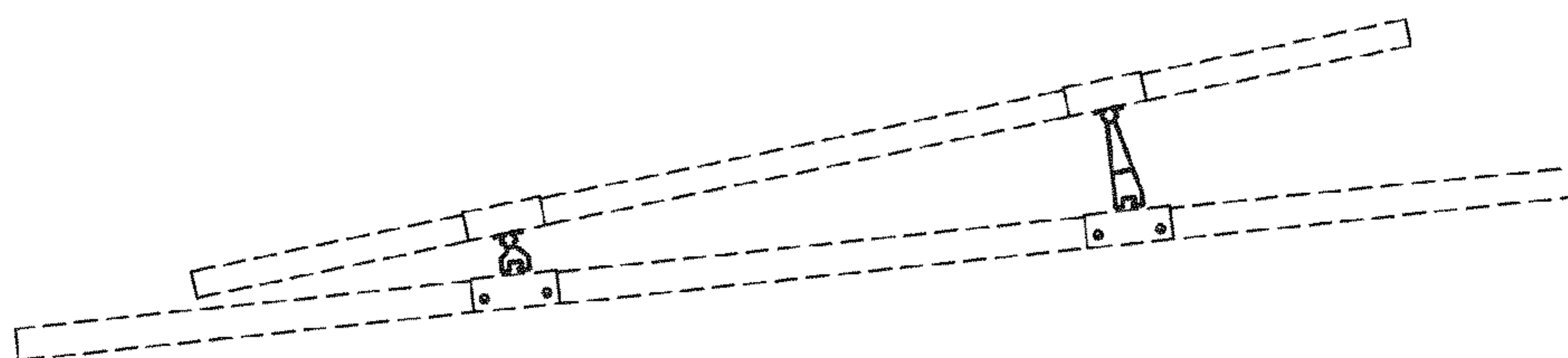


FIG. 7