



US00D638551S

(12) **United States Design Patent**  
**Gann**

(10) **Patent No.:** **US D638,551 S**

(45) **Date of Patent:** **\*\* May 24, 2011**

(54) **VIDEO CONFERENCING BOOTH**

2005/0180739 A1\* 8/2005 Nakanishi et al. .... 396/2  
2008/0005974 A1\* 1/2008 Delgado Vazquez et al. . 52/36.1

(75) Inventor: **Richard Gann**, St. Albans (GB)

\* cited by examiner

(73) Assignee: **VPOD Solutions Limited**, Hertfordshire (GB)

*Primary Examiner* — T. Chase Nelson  
*Assistant Examiner* — Kathleen M Sims

(\*\*) Term: **14 Years**

(74) *Attorney, Agent, or Firm* — Arent Fox LLP

(21) Appl. No.: **29/342,397**

(57) **CLAIM**

The ornamental design for a video conferencing booth, as shown and described.

(22) Filed: **Aug. 24, 2009**

**DESCRIPTION**

(30) **Foreign Application Priority Data**

Jul. 28, 2009 (EP) ..... 001595299-0001

(51) **LOC (9) Cl.** ..... **25-03**

(52) **U.S. Cl.** ..... **D25/16**

(58) **Field of Classification Search** ..... D25/1,  
D25/16, 17, 18, 33; 52/79.1, 79.4, 79.5,  
52/36.1, 36.2; D16/215; 396/2  
See application file for complete search history.

FIG. 1 is a perspective view of a video conferencing booth showing my new design;

FIG. 2 is a right side elevation view of the video conferencing booth of FIG. 1; the left side elevation view being a mirror image thereof;

FIG. 3 is a cross section view of the video conferencing booth taken along the line 3—3 in FIG. 2;

FIG. 4 is a cross section view of the video conferencing booth taken along the line 4—4 in FIG. 2; and,

FIG. 5 is a cross section view of the video conferencing booth taken along the line 5—5 in FIG. 2.

The front, rear, top and bottom sides are flat and include no surface ornamentation and form no part of the claimed design.

A glass partition is shown in broken lines for illustrative purposes only and forms no part of the claimed design.

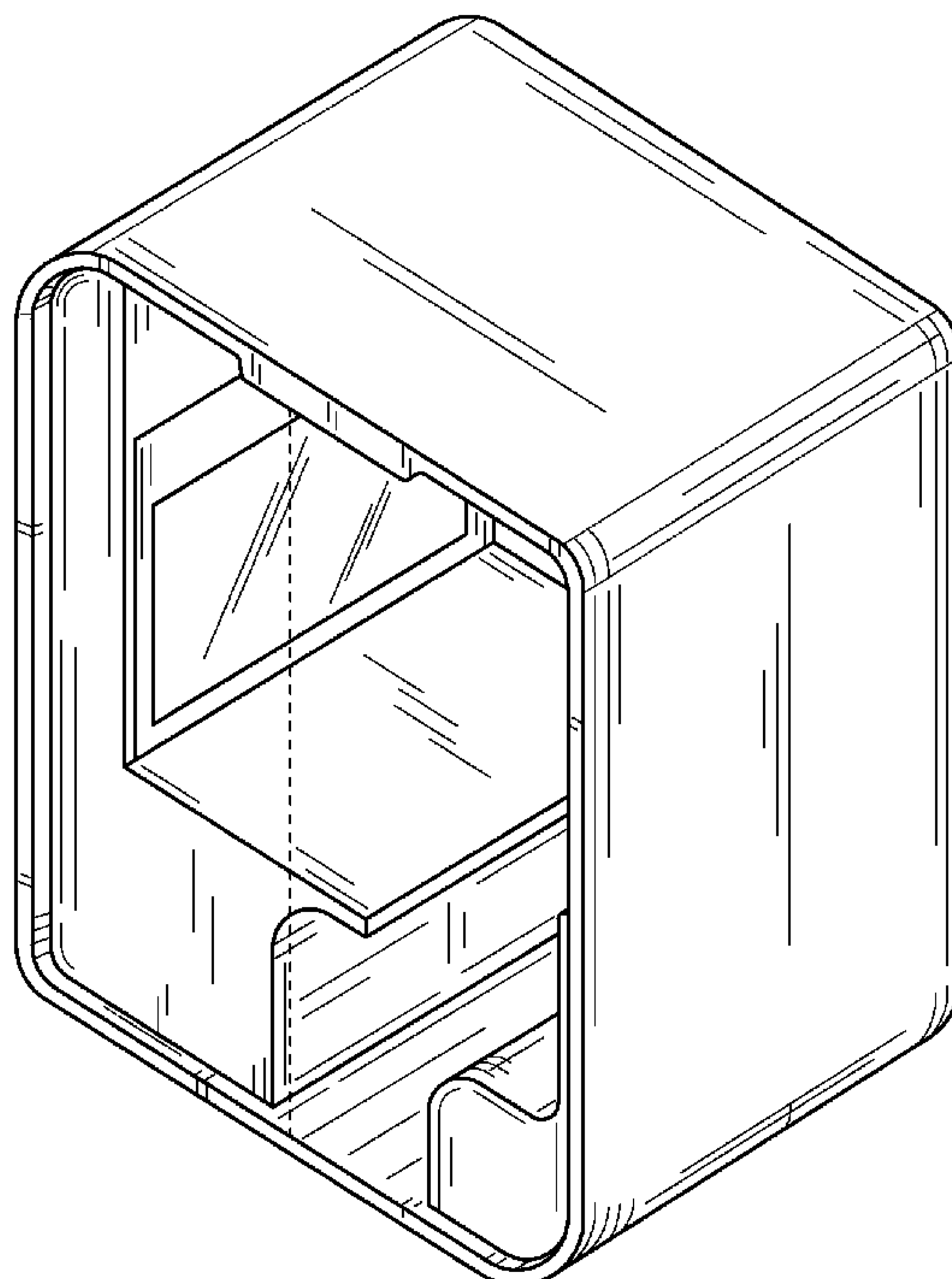
The broken line showings of a glass partition in FIGS. 1 and 2, a camera lens in FIG. 3 and an interior boundary in FIG. 5 are included for the purpose of showing environmental portions of the Video Conferencing Booth and form no part of the claimed design.

(56) **References Cited**

**U.S. PATENT DOCUMENTS**

D148,740 S *	2/1948	Allen	.....	D16/215
D182,240 S *	3/1958	Mackay	.....	D16/215
D245,706 S *	9/1977	McAllister	.....	D25/16
D324,873 S *	3/1992	Thayer	.....	D16/215
D379,856 S *	6/1997	D'Alessio et al.	.....	D25/16
5,784,651 A *	7/1998	Mauchan	.....	396/2
6,085,195 A *	7/2000	Hoyt et al.	.....	1/1
6,205,716 B1 *	3/2001	Peltz	.....	52/36.2
6,718,123 B1 *	4/2004	Massarsky	.....	386/117
D612,884 S *	3/2010	Gassman et al.	.....	D16/215
2005/0108954 A1 *	5/2005	Sola	.....	52/79.1

**1 Claim, 5 Drawing Sheets**



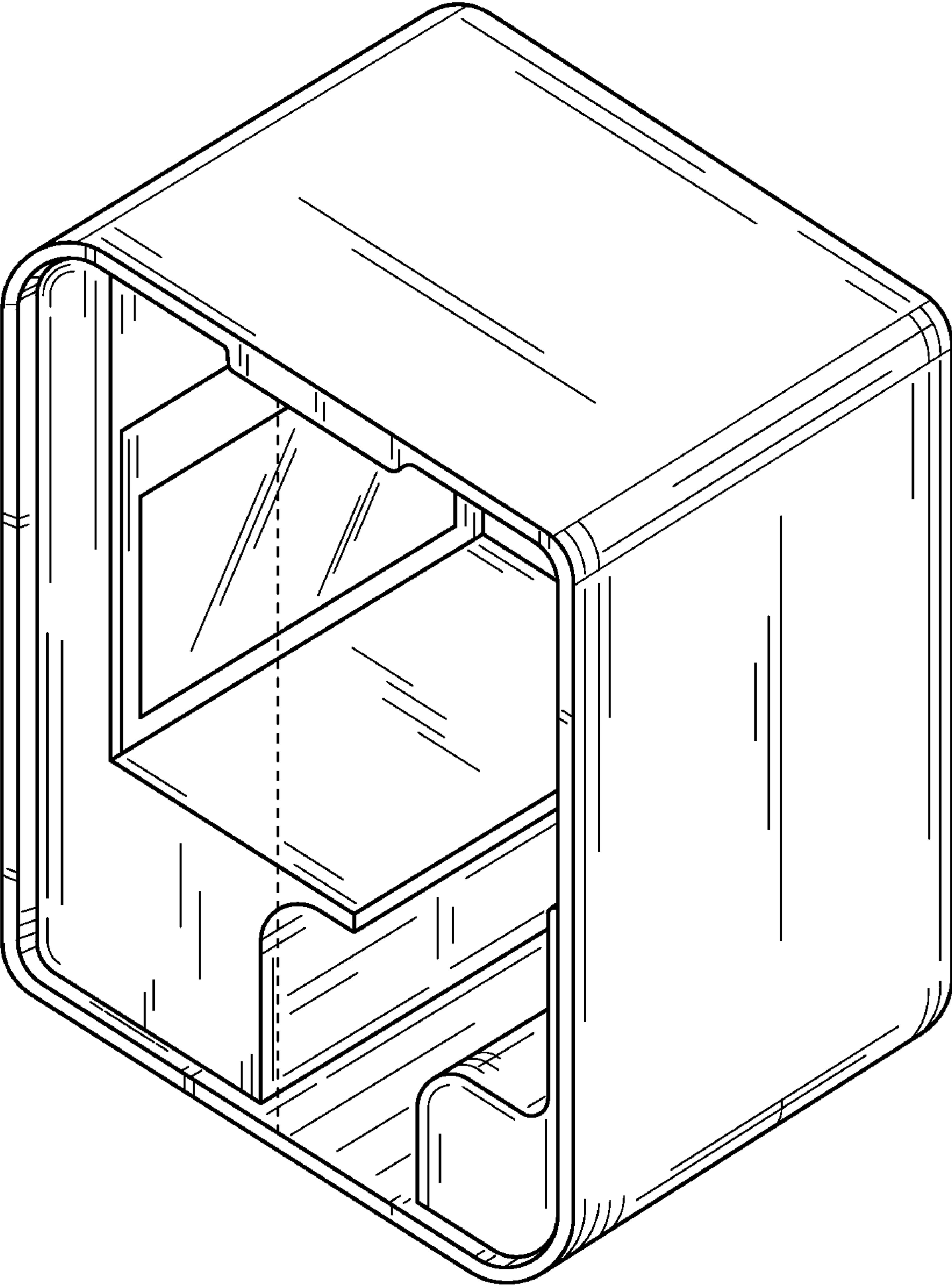
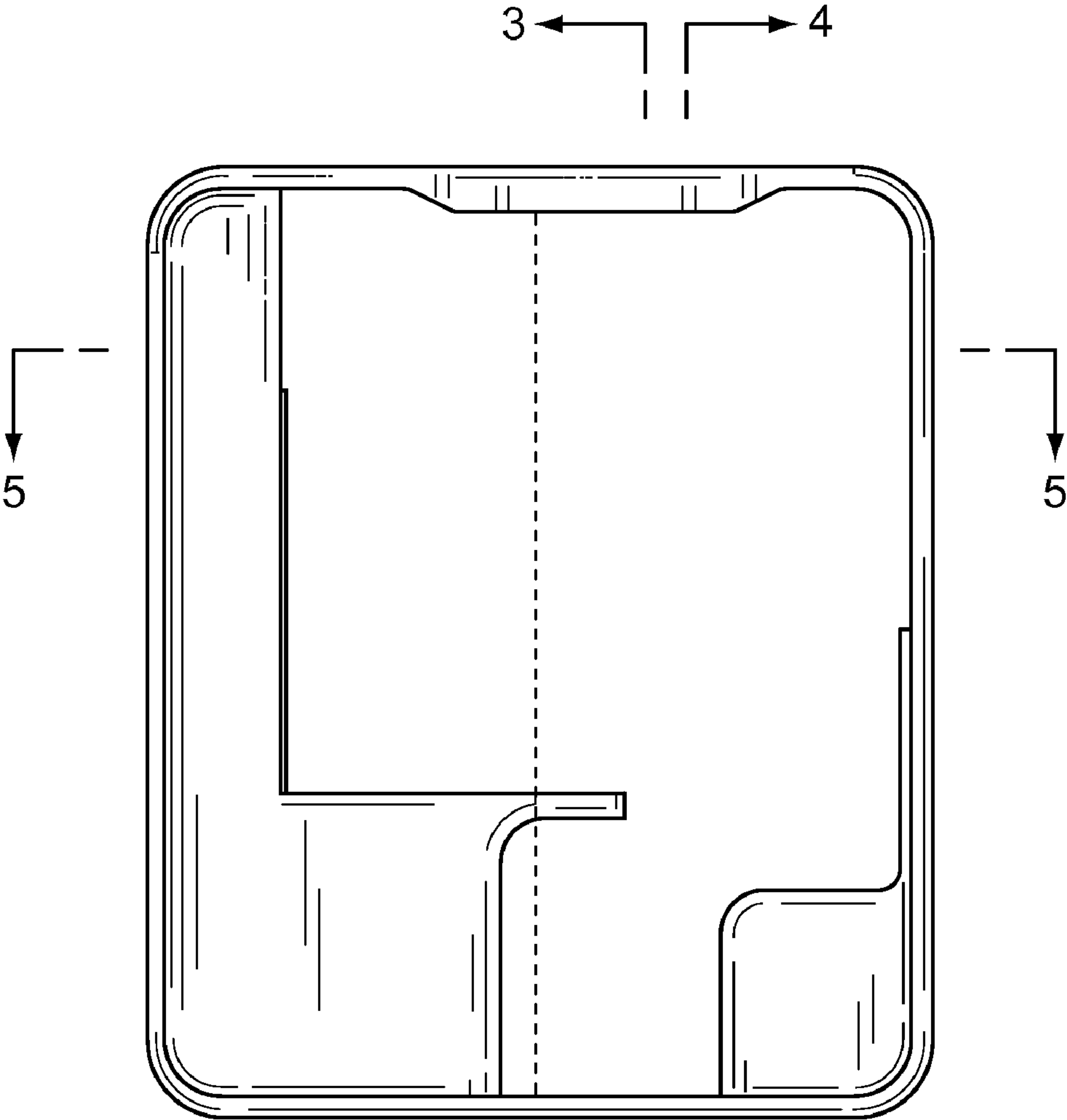


FIG. 1



3 ← | | → 4  
FIG. 2

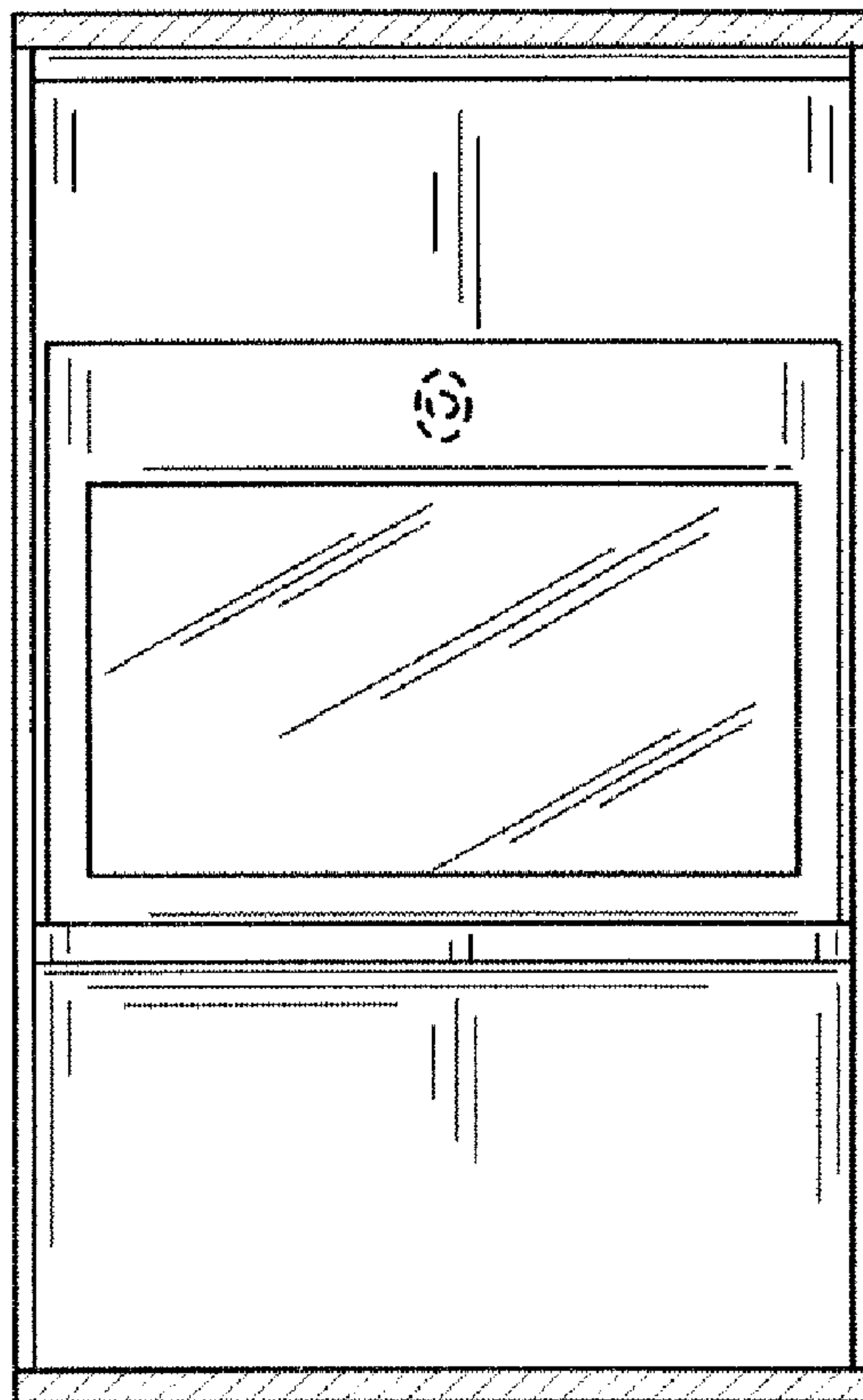


FIG. 3

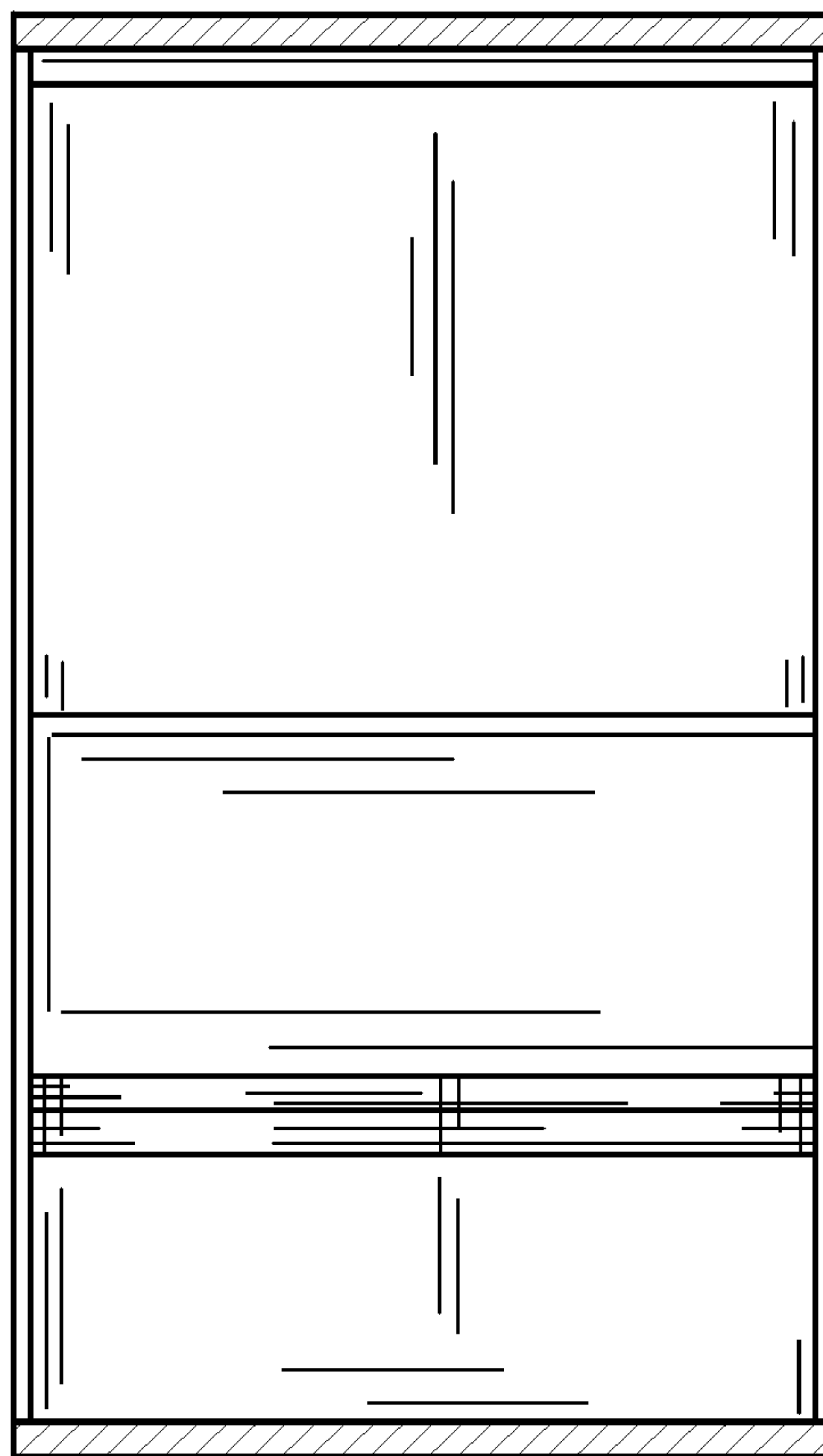


FIG. 4

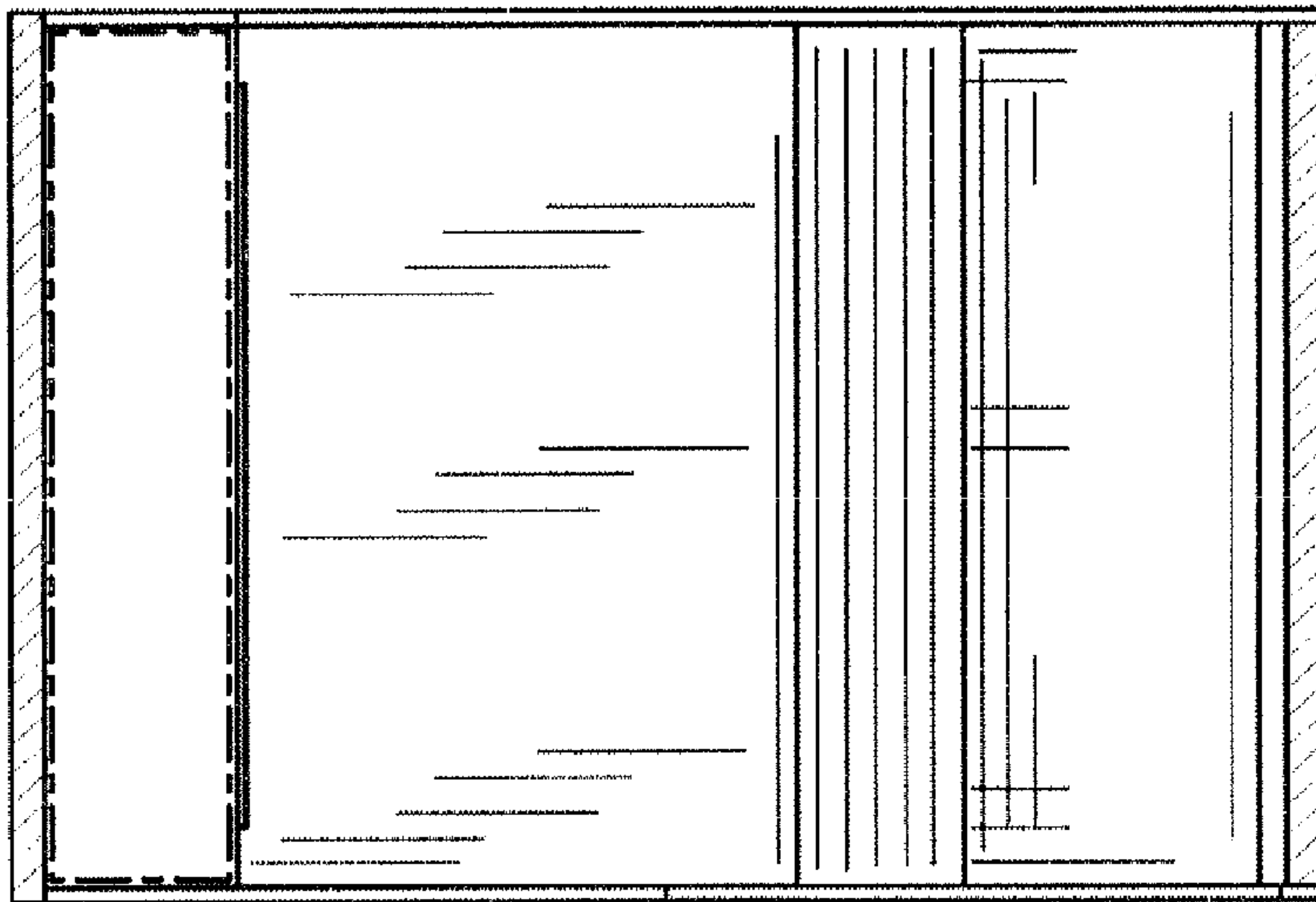


FIG. 5