



US00D638544S

(12) **United States Design Patent**  
**Koenigsberger et al.**

(10) **Patent No.:** **US D638,544 S**

(45) **Date of Patent:** **\*\* May 24, 2011**

(54) **GUIDING INSTRUMENT**

(75) Inventors: **Harald Koenigsberger**, Koenigsfeld (DE); **Frank Doll**, Talheim (DE)

(73) Assignee: **Karl Storz GmbH & Co. KG** (DE)

(\*\*) Term: **14 Years**

(21) Appl. No.: **29/364,329**

(22) Filed: **Jun. 22, 2010**

(30) **Foreign Application Priority Data**

Dec. 22, 2009 (EM) ..... 001651142-0015

(51) **LOC (9) Cl.** ..... **24-02**

(52) **U.S. Cl.** ..... **D24/140**

(58) **Field of Classification Search** ..... D24/133,  
D24/135, 140, 190-192; 606/96, 103, 104,  
606/108, 130

See application file for complete search history.

(56) **References Cited**

**U.S. PATENT DOCUMENTS**

D238,540 S \* 1/1976 Holly ..... D24/140  
4,672,957 A \* 6/1987 Hourahane ..... 606/80  
4,883,048 A \* 11/1989 Purnell et al. .... 606/96  
5,562,664 A \* 10/1996 Durlacher et al. .... 606/96

5,918,604 A \* 7/1999 Whelan ..... 128/898  
7,201,756 B2 \* 4/2007 Ross et al. .... 606/96  
D566,269 S \* 4/2008 Koros et al. .... D24/135  
D600,807 S \* 9/2009 Dienst et al. .... D24/140  
2005/0143745 A1 \* 6/2005 Hodorek et al. .... 606/87  
2008/0015611 A1 \* 1/2008 Jinno et al. .... 606/130  
2008/0091066 A1 \* 4/2008 Sholev ..... 600/112  
2008/0103506 A1 \* 5/2008 Volpi et al. .... 606/96  
2009/0143784 A1 \* 6/2009 Petersen et al. .... 606/96

\* cited by examiner

*Primary Examiner* — Bridget L Eland

(74) *Attorney, Agent, or Firm* — St. Onge Steward Johnston & Reens LLC

(57) **CLAIM**

The ornamental design for a guiding instrument, as shown and described.

**DESCRIPTION**

FIG. 1 is a left side perspective view of a guiding instrument in accordance with the new design;

FIG. 2 is a left side elevation view thereof;

FIG. 3 is a right side elevation view thereof;

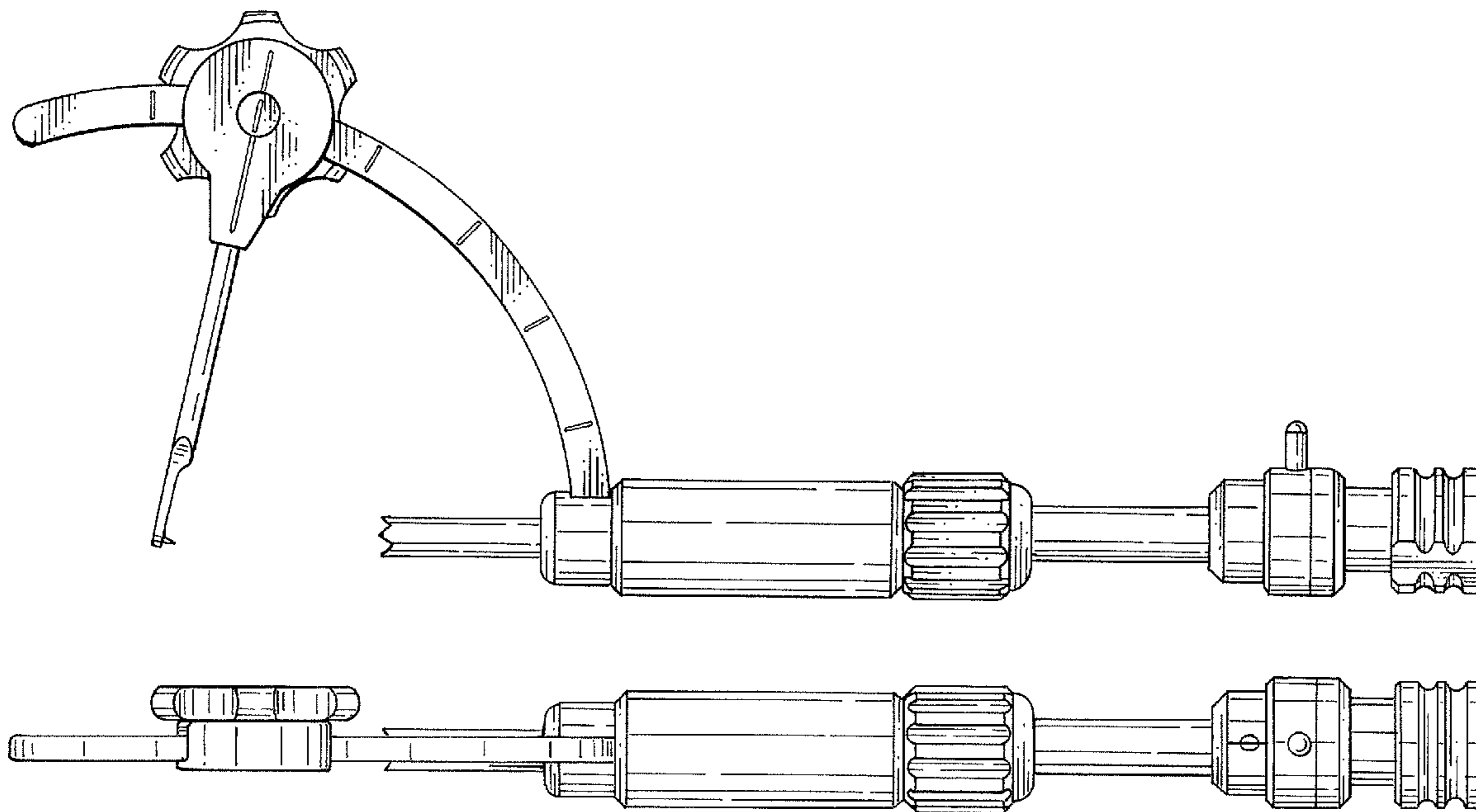
FIG. 4 is a top elevation view thereof;

FIG. 5 is a bottom elevation view thereof;

FIG. 6 is a front elevation view thereof, drawn at a larger scale to show detail; and,

FIG. 7 is a rear elevation view thereof, drawn at a larger scale to show detail.

**1 Claim, 6 Drawing Sheets**



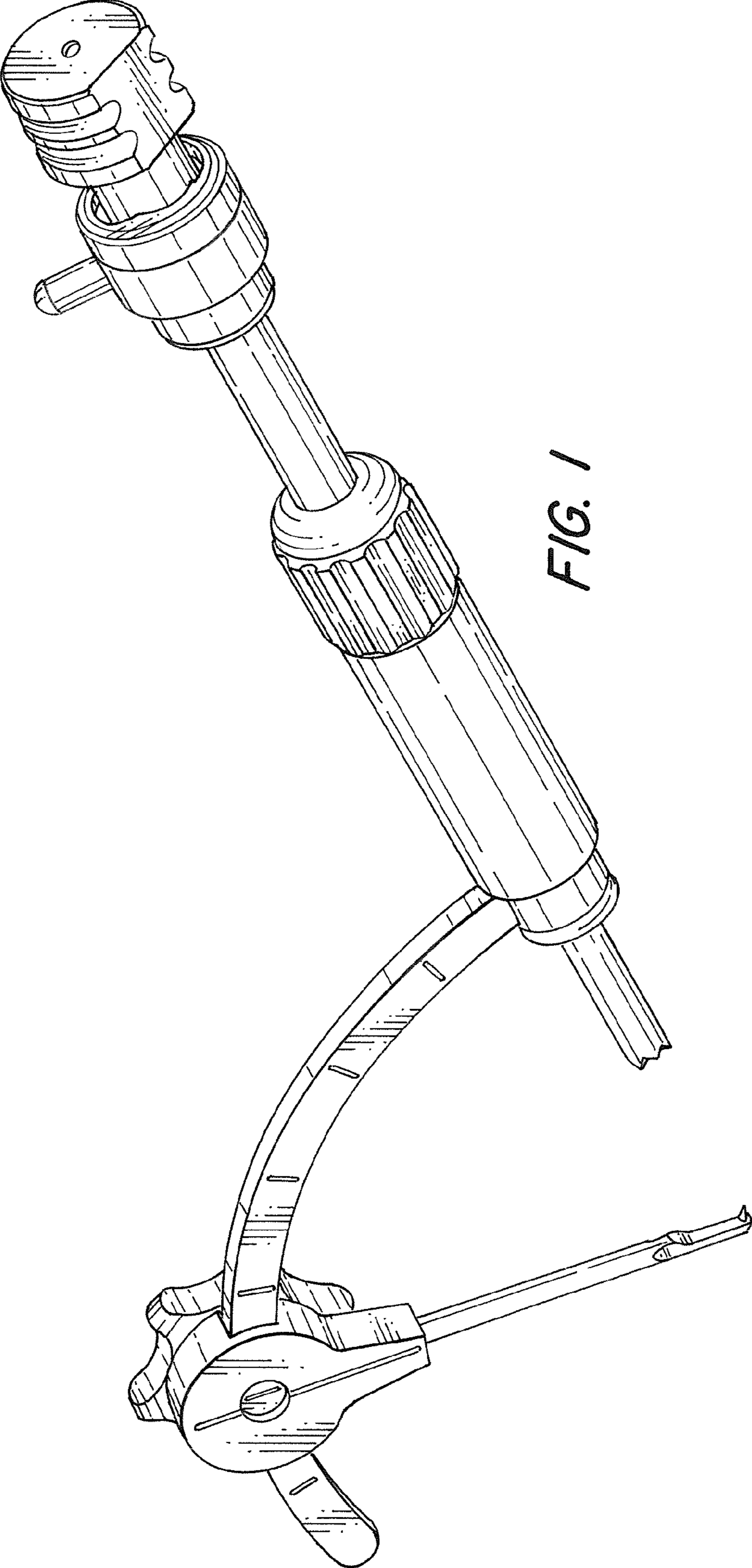


FIG. 1

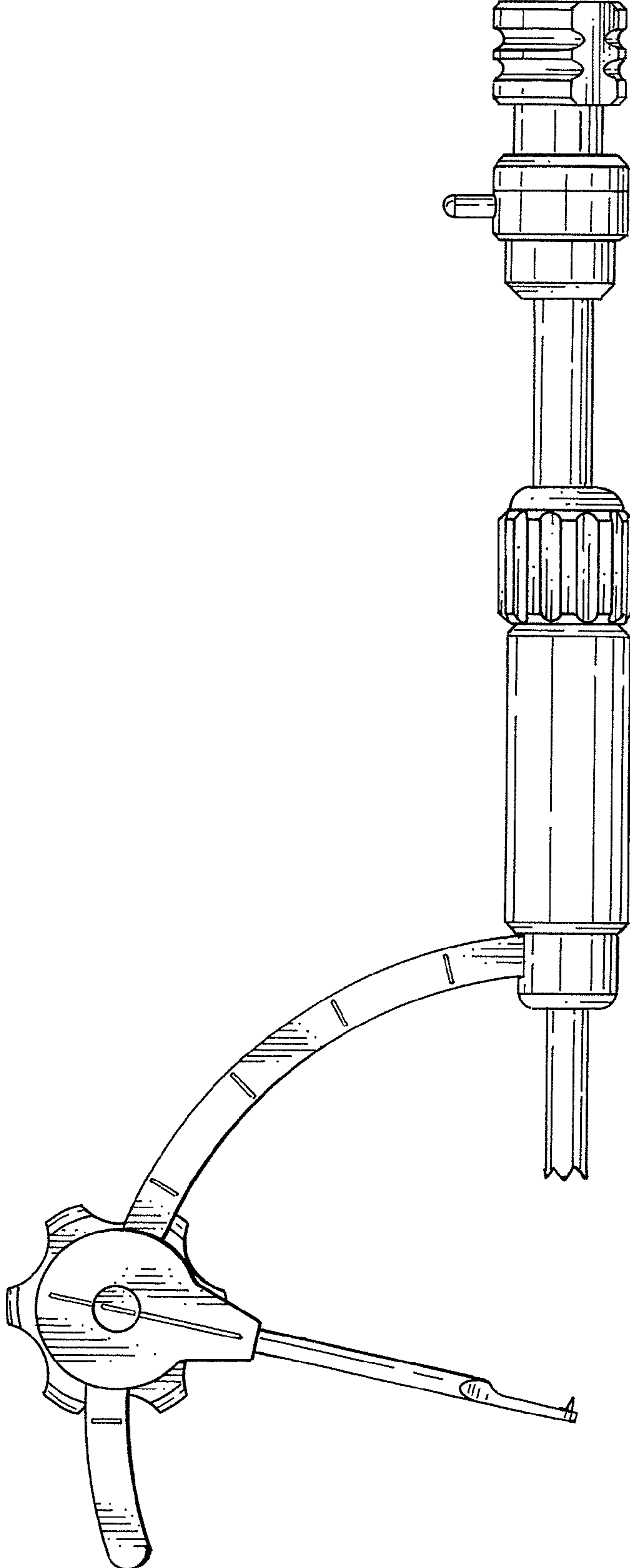


FIG. 2

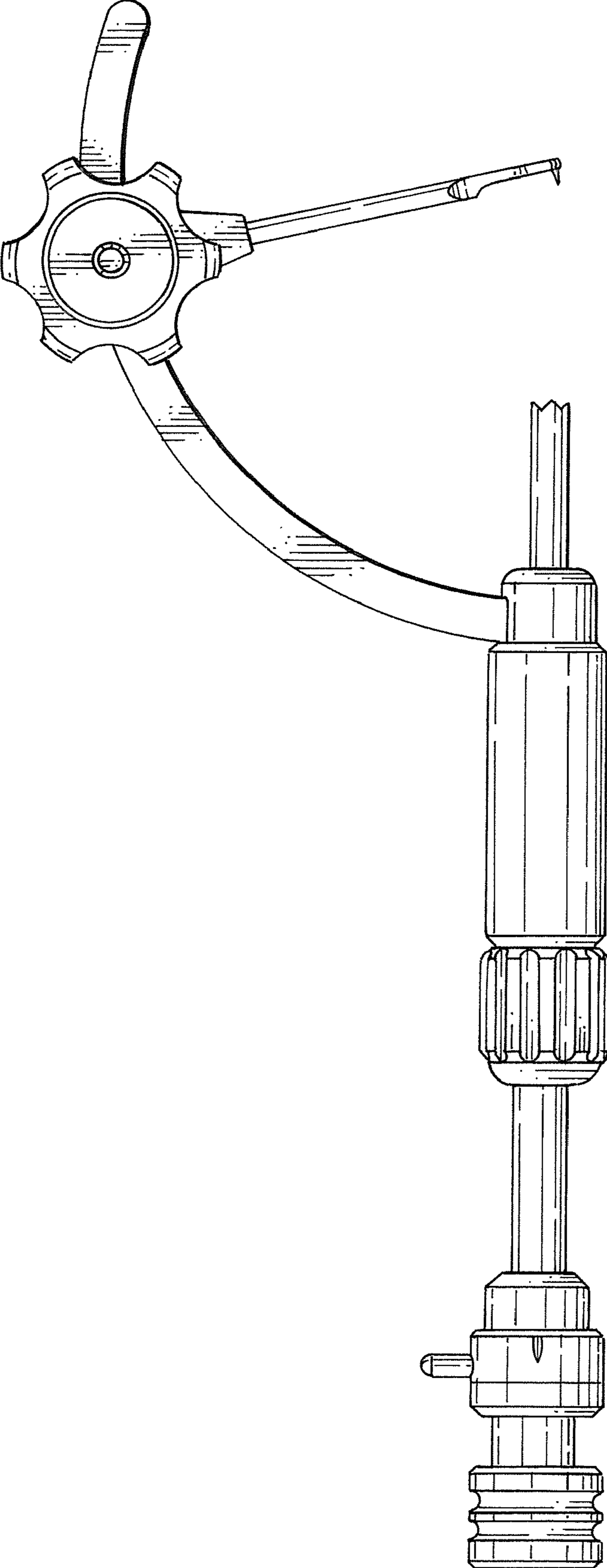


FIG. 3

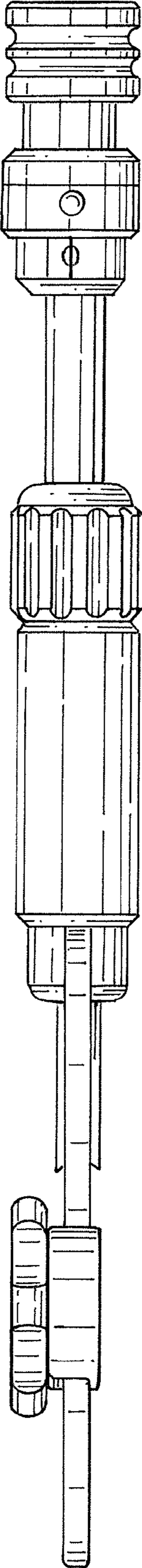


FIG. 4

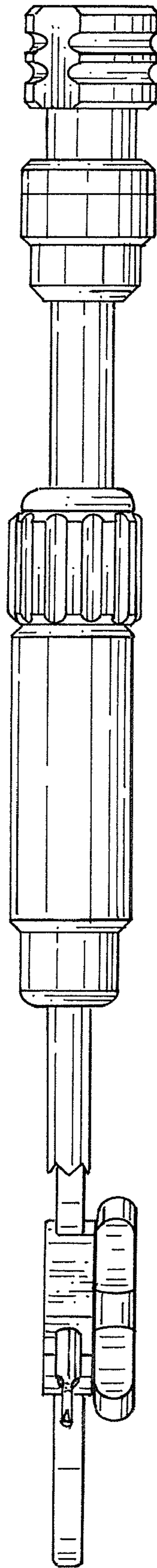
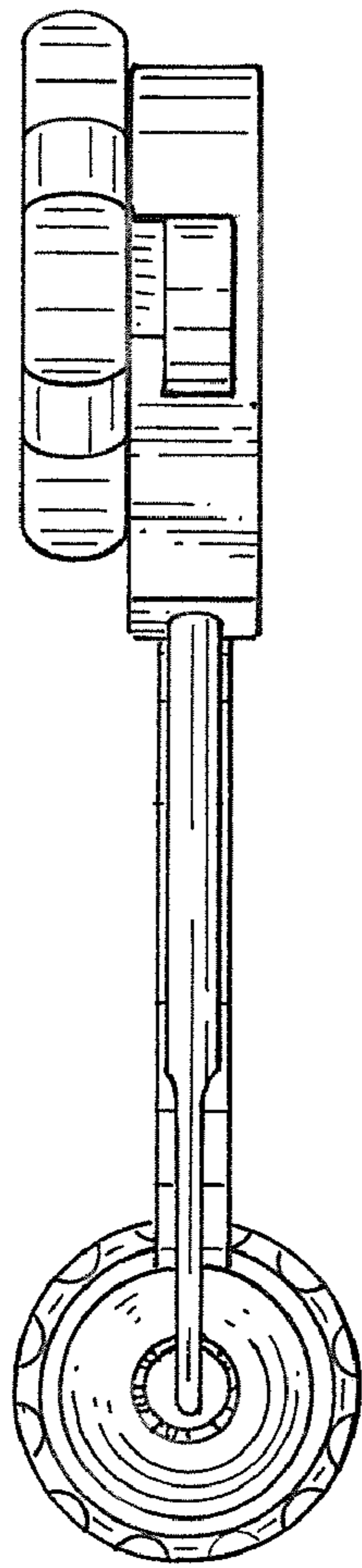
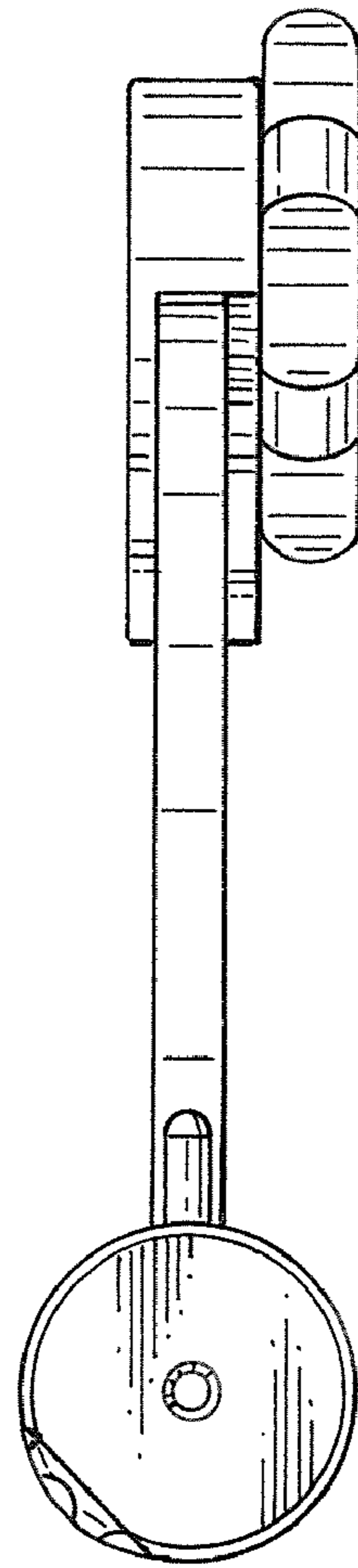


FIG. 5



*FIG. 6*



*FIG. 7*