



US00D638541S

(12) **United States Design Patent**
Claypool

(10) **Patent No.:** **US D638,541 S**

(45) **Date of Patent:** **** May 24, 2011**

(54) **FEMORAL PROSTHESIS INSERTION TOOL**

(75) **Inventor:** **Jody L. Claypool**, Columbia City, IN (US)

(73) **Assignee:** **Zimmer, Inc.**, Warsaw, IN (US)

(**) **Term:** **14 Years**

(21) **Appl. No.:** **29/362,746**

(22) **Filed:** **May 28, 2010**

(51) **LOC (9) Cl.** **24-02**

(52) **U.S. Cl.** **D24/133**

(58) **Field of Classification Search** D24/133,
D24/143, 155, 171; 606/99, 205, 206, 211,
606/916

See application file for complete search history.

(56) **References Cited**

U.S. PATENT DOCUMENTS

D298,297	S	*	11/1988	Maltby	D7/687
D331,625	S	*	12/1992	Price et al.	D24/133
5,167,662	A	*	12/1992	Hayes et al.	606/916
5,209,755	A	*	5/1993	Abraham et al.	606/132
5,626,607	A	*	5/1997	Malecki et al.	606/205
5,793,018	A	*	8/1998	Jett	219/225
D488,229	S	*	4/2004	Rinner et al.	D24/143
D563,745	S	*	3/2008	DeVries et al.	D8/52

D572,552	S	*	7/2008	Feliciano	D8/52
D592,474	S	*	5/2009	Lin	D8/52
2002/0115987	A1	*	8/2002	Hildwein et al.	606/1
2007/0260278	A1	*	11/2007	Wheeler et al.	606/220
2009/0240280	A1	*	9/2009	Wang et al.	606/207

* cited by examiner

Primary Examiner — Bridget L Eland

(74) *Attorney, Agent, or Firm* — Baker & Daniels LLP

(57) **CLAIM**

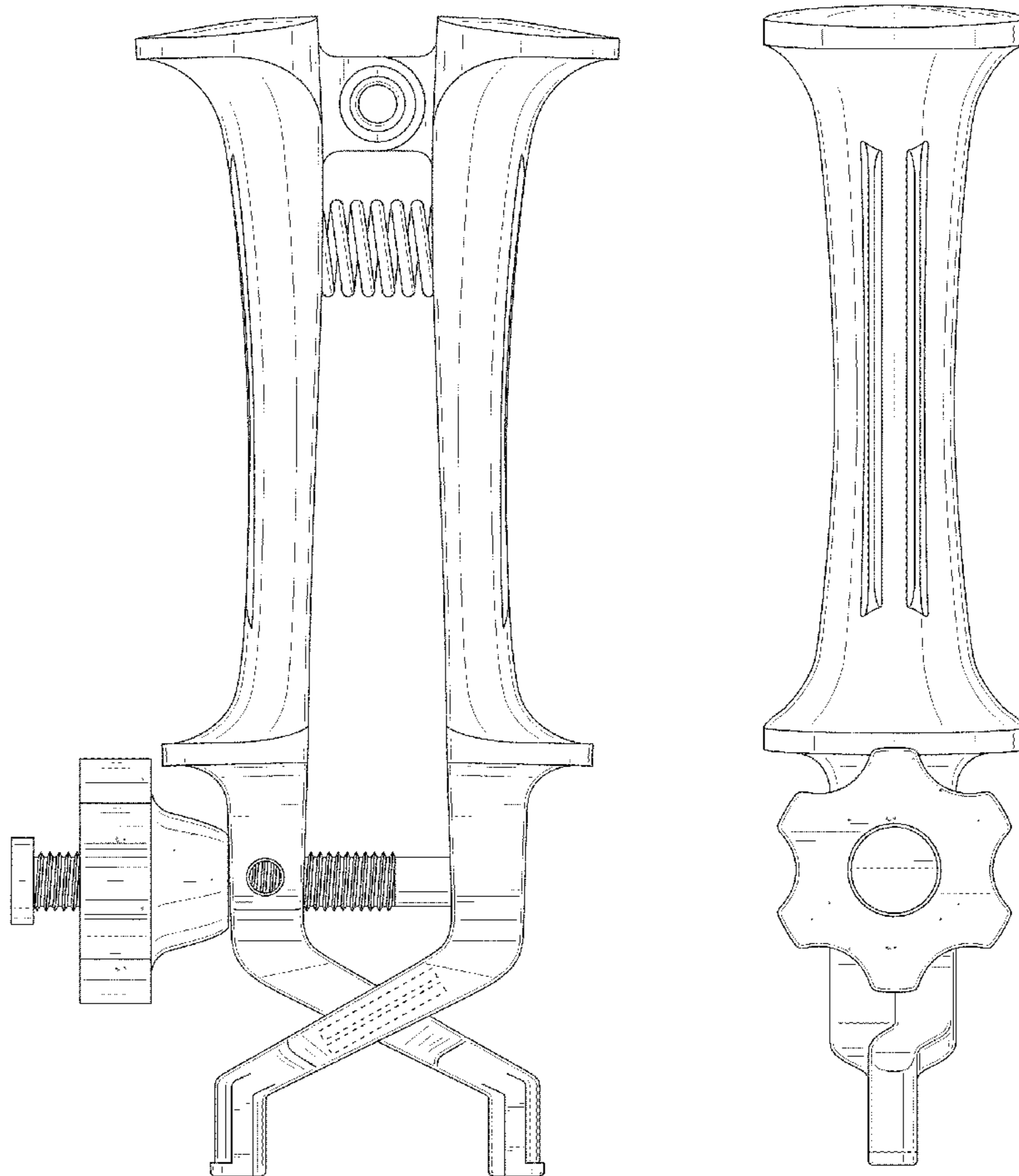
The ornamental design for a femoral prosthesis insertion tool, as shown and described.

DESCRIPTION

FIG. 1 is a perspective view of a femoral prosthesis insertion tool illustrating my new design;
FIG. 2 is a top plan view thereof;
FIG. 3 is a bottom plan view thereof;
FIG. 4 is a left side elevation view thereof;
FIG. 5 is a right side elevation view thereof;
FIG. 6 is a rear end elevation view thereof; and,
FIG. 7 is a front end elevation view thereof.

Broken lines appearing in the several views form no part of the claimed design. Unclaimed subject matter is shown in broken lines for the purpose of illustrating the environment in which the article embodying the design is used.

1 Claim, 5 Drawing Sheets



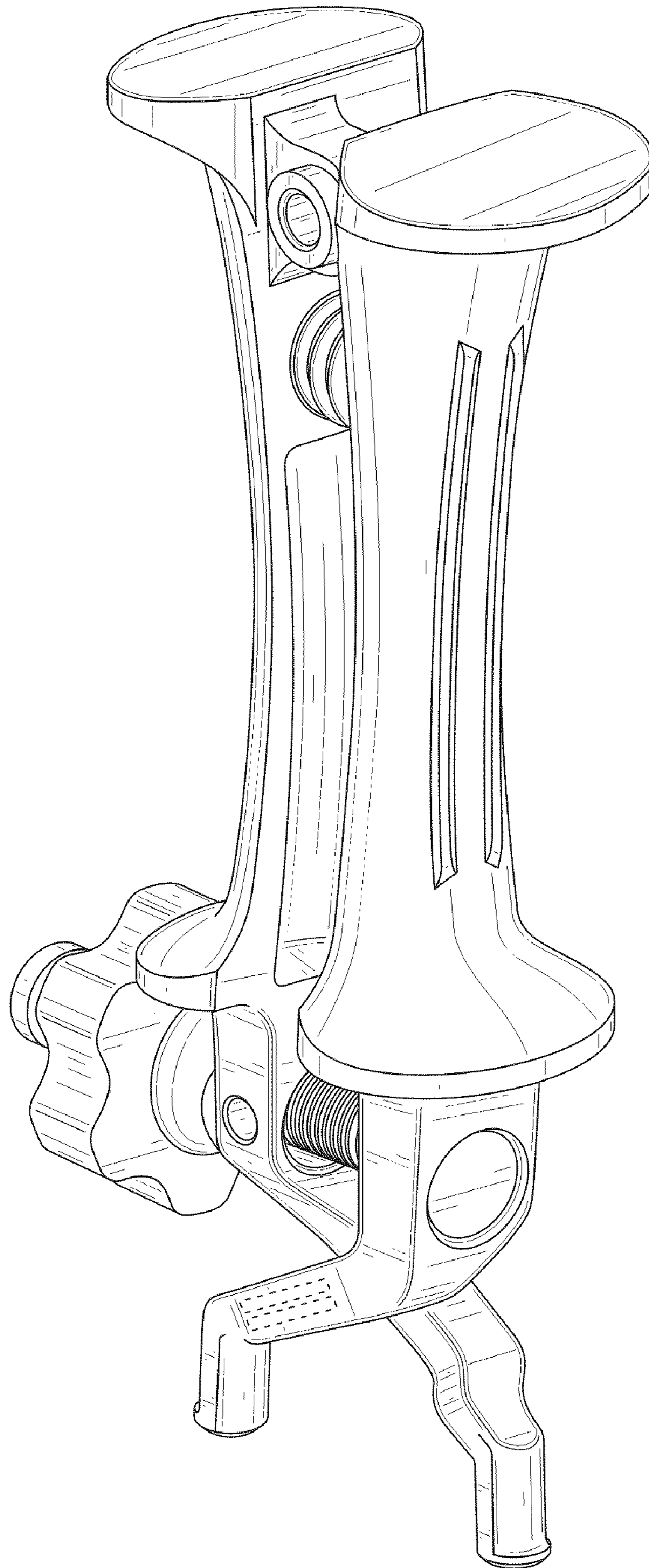


FIG. 1

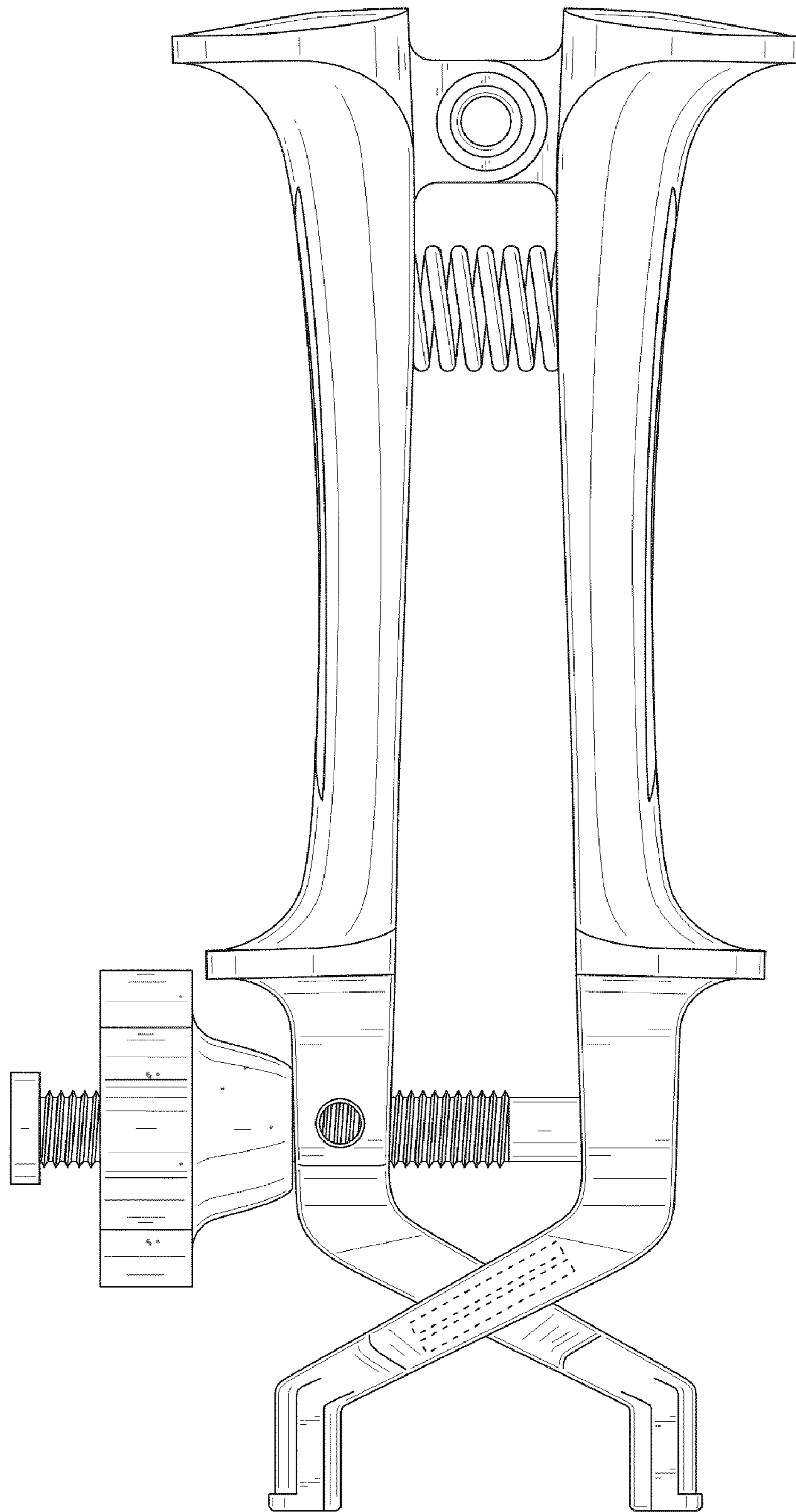


FIG. 2

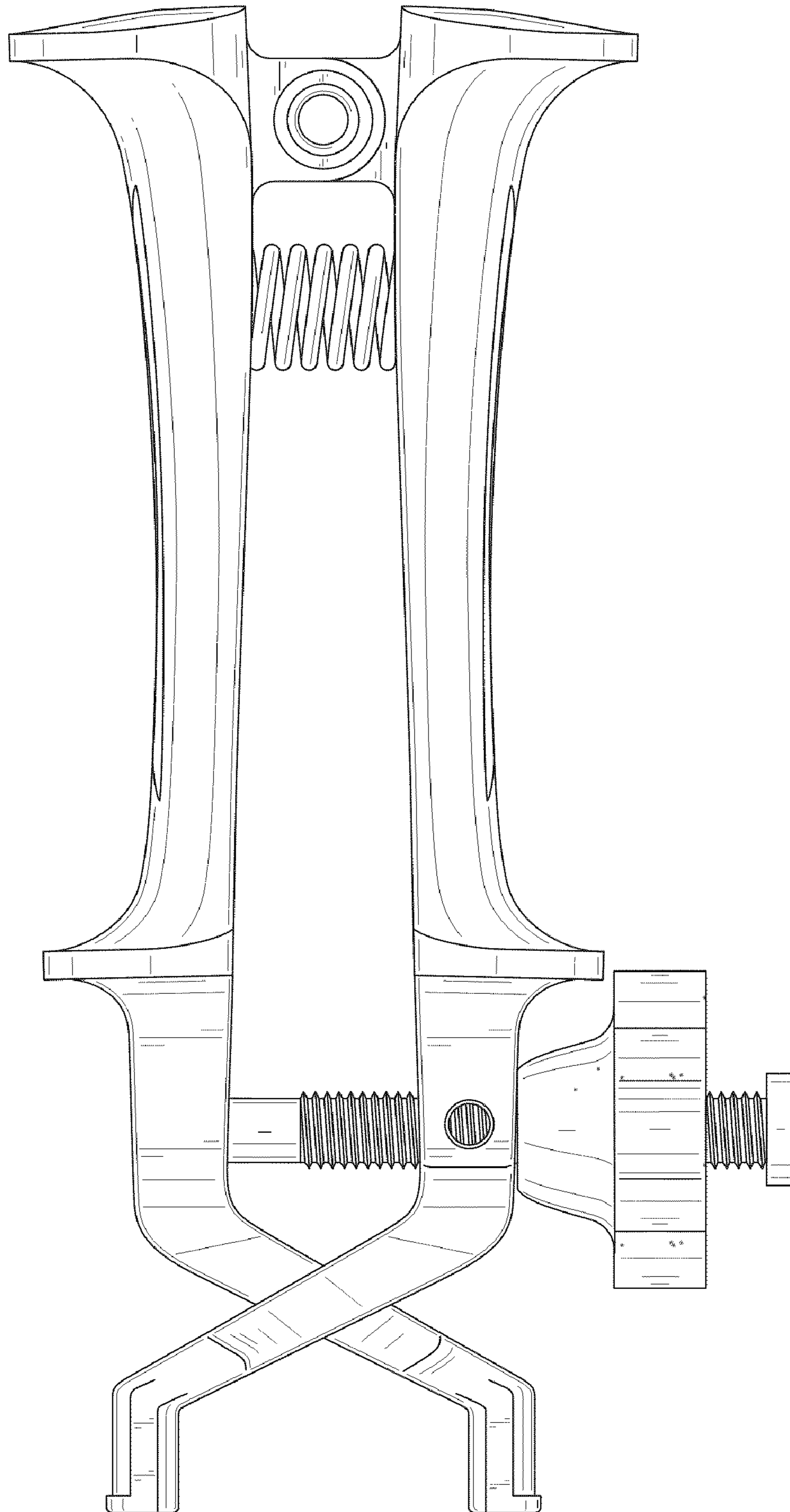


FIG. 3

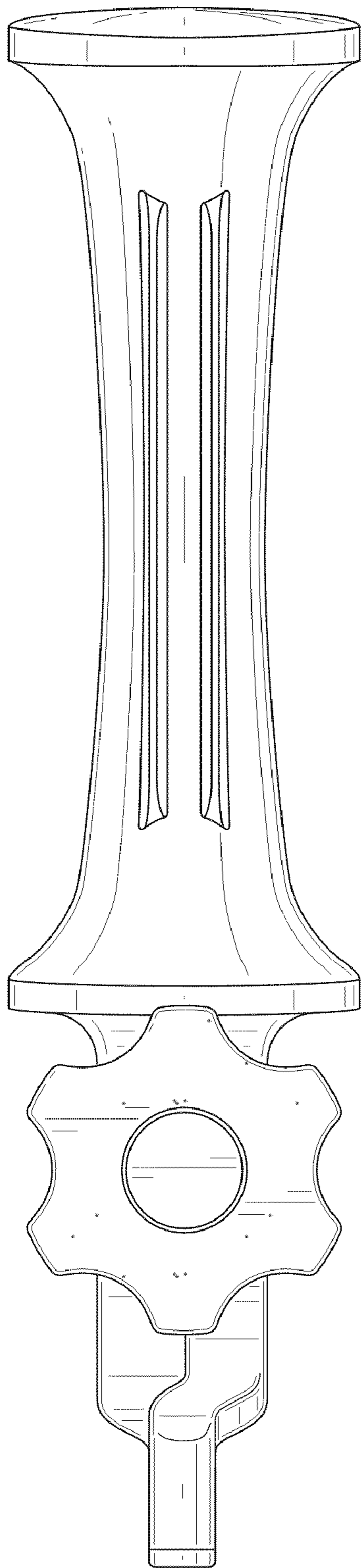


FIG. 4

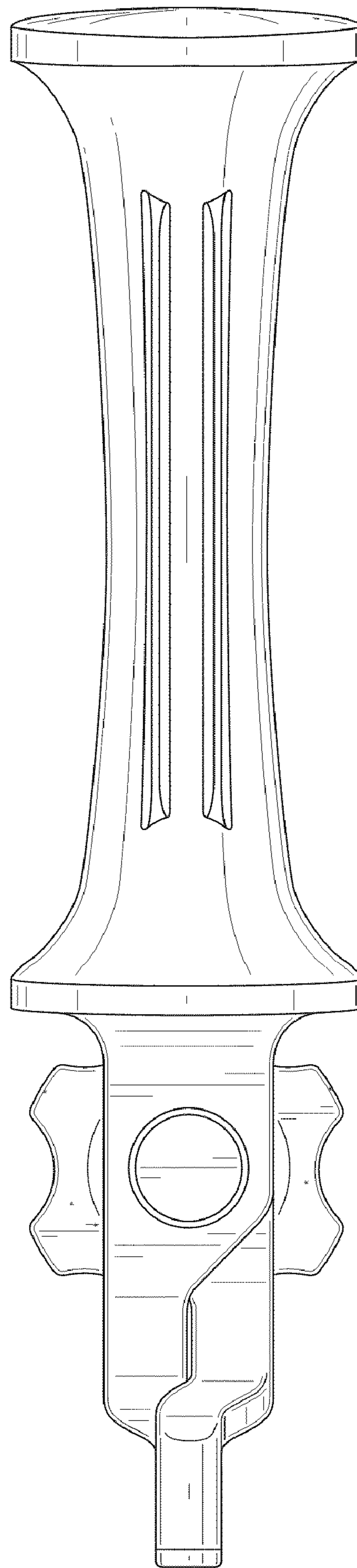


FIG. 5

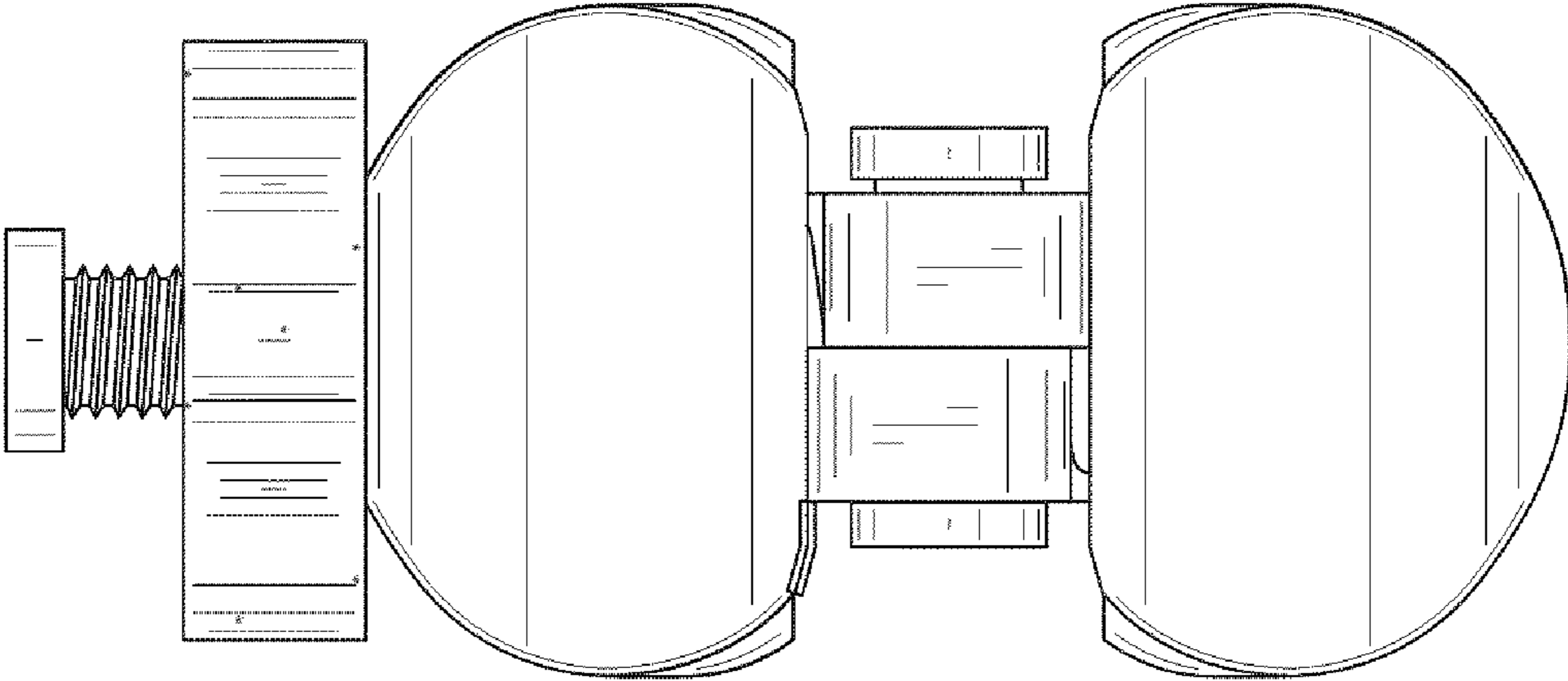


FIG. 6

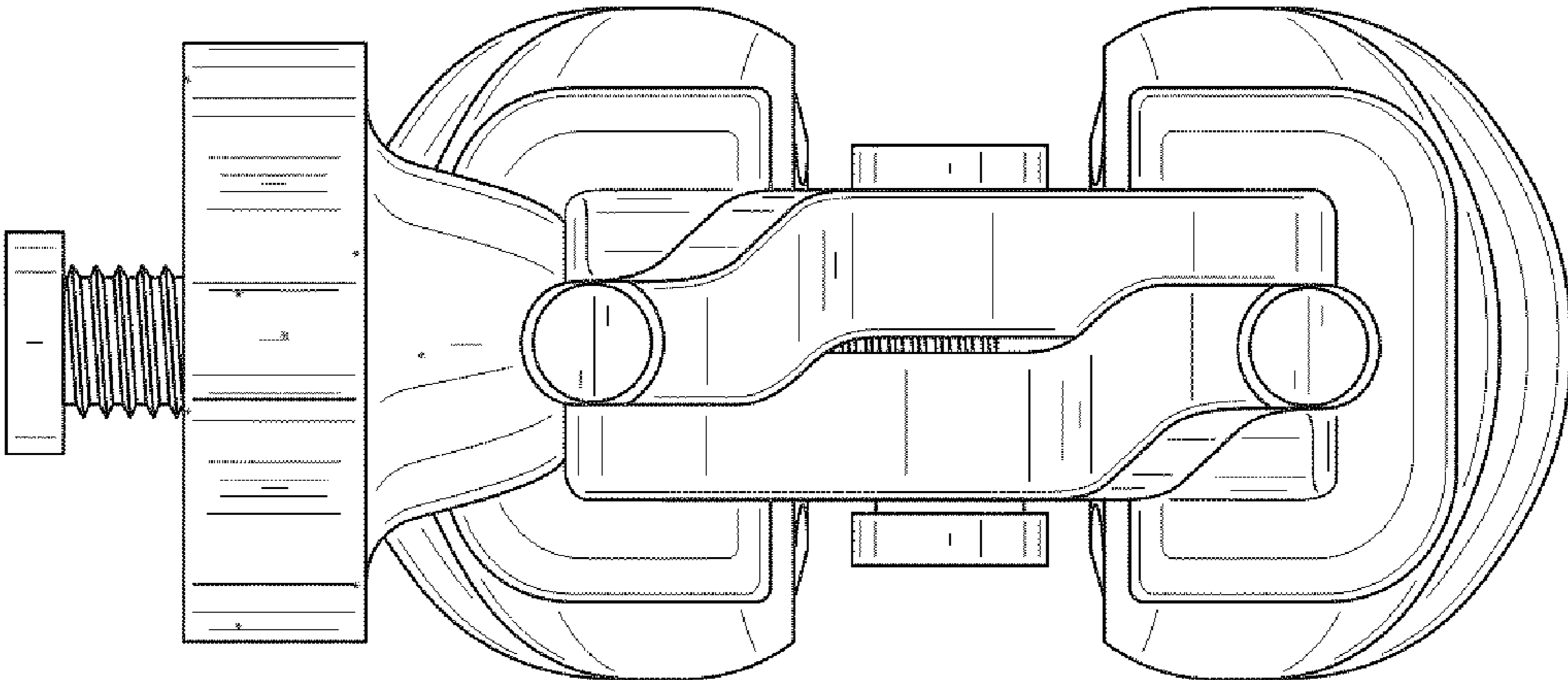


FIG. 7