



US00D638540S

(12) **United States Design Patent**
Ijiri et al.

(10) **Patent No.:** **US D638,540 S**

(45) **Date of Patent:** **** May 24, 2011**

(54) **MANIPULATOR SYSTEM OPERATING HANDLE FOR MEDICAL USE**

(75) Inventors: **Tomonori Ijiri**, Tokyo (JP); **Jun Tsubota**, Tokyo (JP)

(73) Assignee: **Terumo Kabushiki Kaisha**, Tokyo (JP)

(**) Term: **14 Years**

(21) Appl. No.: **29/361,520**

(22) Filed: **May 12, 2010**

(30) **Foreign Application Priority Data**

Apr. 8, 2010 (JP) 2010-008943

(51) **LOC (9) Cl.** **24-02**

(52) **U.S. Cl.** **D24/133**

(58) **Field of Classification Search** D24/133,
D24/137, 138, 146, 147, 143, 144, 145, 148;
606/167, 170, 175, 176, 185, 205, 210
See application file for complete search history.

(56) **References Cited**

U.S. PATENT DOCUMENTS

D319,697	S	*	9/1991	Prindle et al.	D24/113
5,217,460	A	*	6/1993	Knoepfler	606/52
D353,526	S	*	12/1994	Hoshino	D8/68
D358,887	S	*	5/1995	Feinberg	D24/143
5,458,598	A	*	10/1995	Feinberg et al.	606/52
D368,773	S	*	4/1996	Atkinson et al.	D24/112
D387,263	S	*	12/1997	Bidstrup et al.	D8/97
6,296,656	B1	*	10/2001	Bolduc et al.	606/213
D454,951	S	*	3/2002	Bon	D24/112
D457,958	S	*	5/2002	Dycus et al.	D24/144
D466,209	S	*	11/2002	Bon	D24/112
D531,311	S	*	10/2006	Guerra et al.	D24/146
D541,418	S	*	4/2007	Schechter et al.	D24/148
D575,401	S	*	8/2008	Hixson et al.	D24/144

D582,038	S	*	12/2008	Swoyer et al.	D24/144
D594,983	S	*	6/2009	Price et al.	D24/145
D605,489	S	*	12/2009	Aglassinger	D8/68
D606,654	S	*	12/2009	Tran et al.	D24/144
D618,797	S	*	6/2010	Price et al.	D24/145
D620,593	S	*	7/2010	Tran et al.	D24/144
D621,503	S	*	8/2010	Otten et al.	D24/133
D627,066	S	*	11/2010	Romero	D24/133
2002/0062136	A1	*	5/2002	Hillstead et al.	606/205
2008/0004655	A1	*	1/2008	Chiu	606/205
2009/0030428	A1	*	1/2009	Omori et al.	606/130
2010/0228283	A1	*	9/2010	Jinno	606/205

FOREIGN PATENT DOCUMENTS

JP	1347811	S	1/2009
JP	1347812	S	1/2009
JP	1347813	S	1/2009

* cited by examiner

Primary Examiner — Bridget L Eland

(74) *Attorney, Agent, or Firm* — Fitch Even Tabin & Flannery

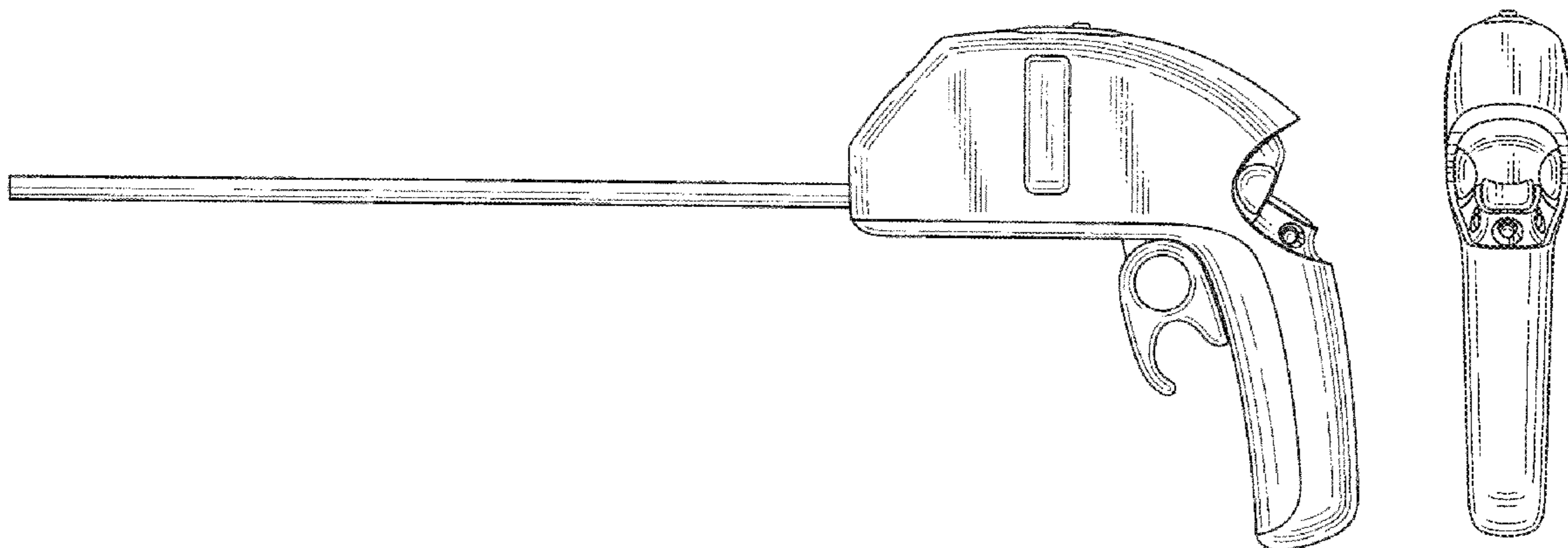
(57) **CLAIM**

The ornamental design for a manipulator system operating handle for medical use, as shown and described.

DESCRIPTION

FIG. 1 is a front, top and right side perspective view of a manipulator system operating handle for medical use, showing our new design;
FIG. 2 is a rear, top and right side perspective view thereof;
FIG. 3 is a front elevational view thereof; the opposite side being a mirror image thereof;
FIG. 4 is a top plan view thereof;
FIG. 5 is a bottom plan view thereof;
FIG. 6 is a left side elevational view thereof; and,
FIG. 7 is a right side elevational view thereof.

1 Claim, 5 Drawing Sheets



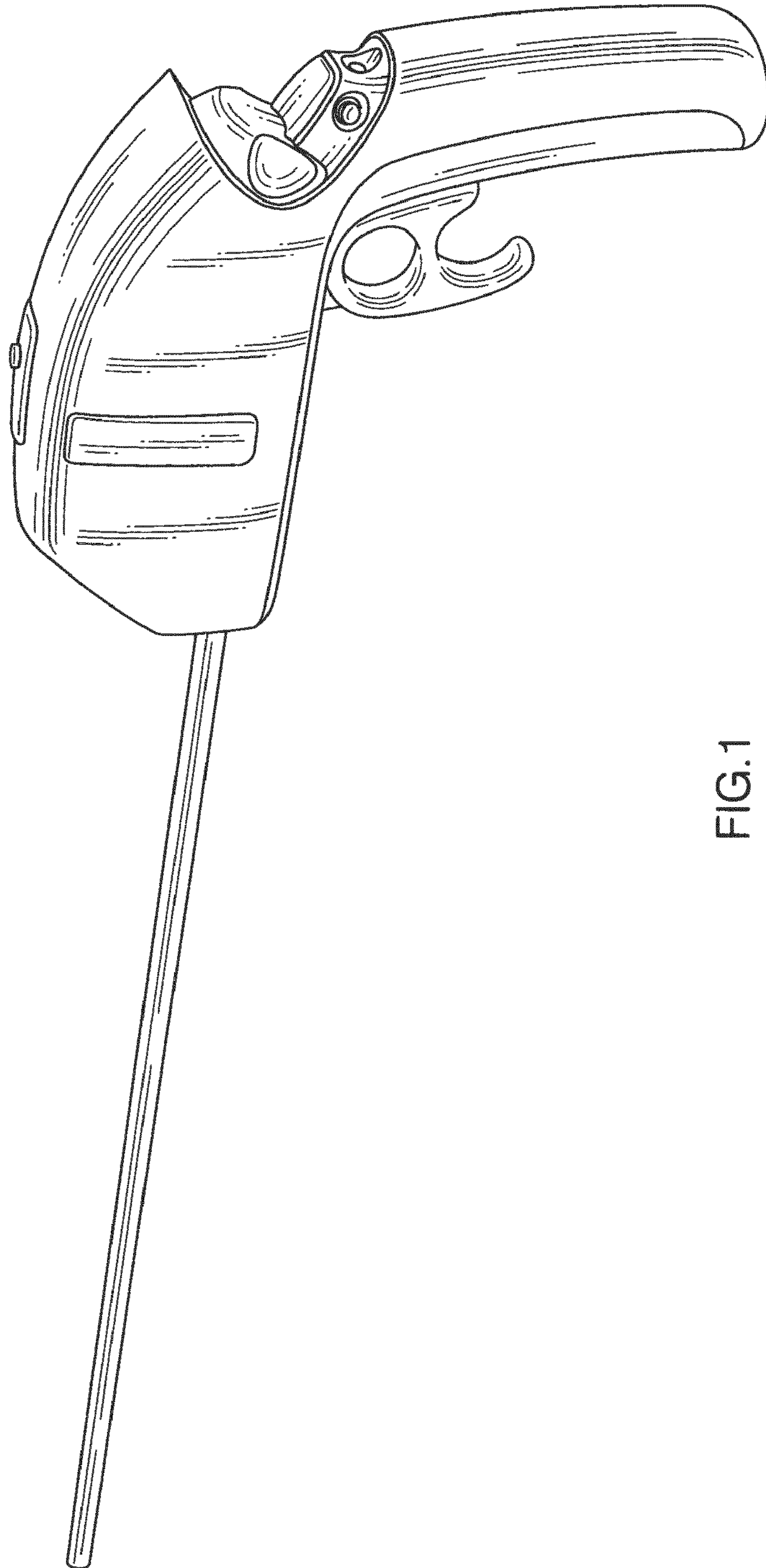


FIG. 1

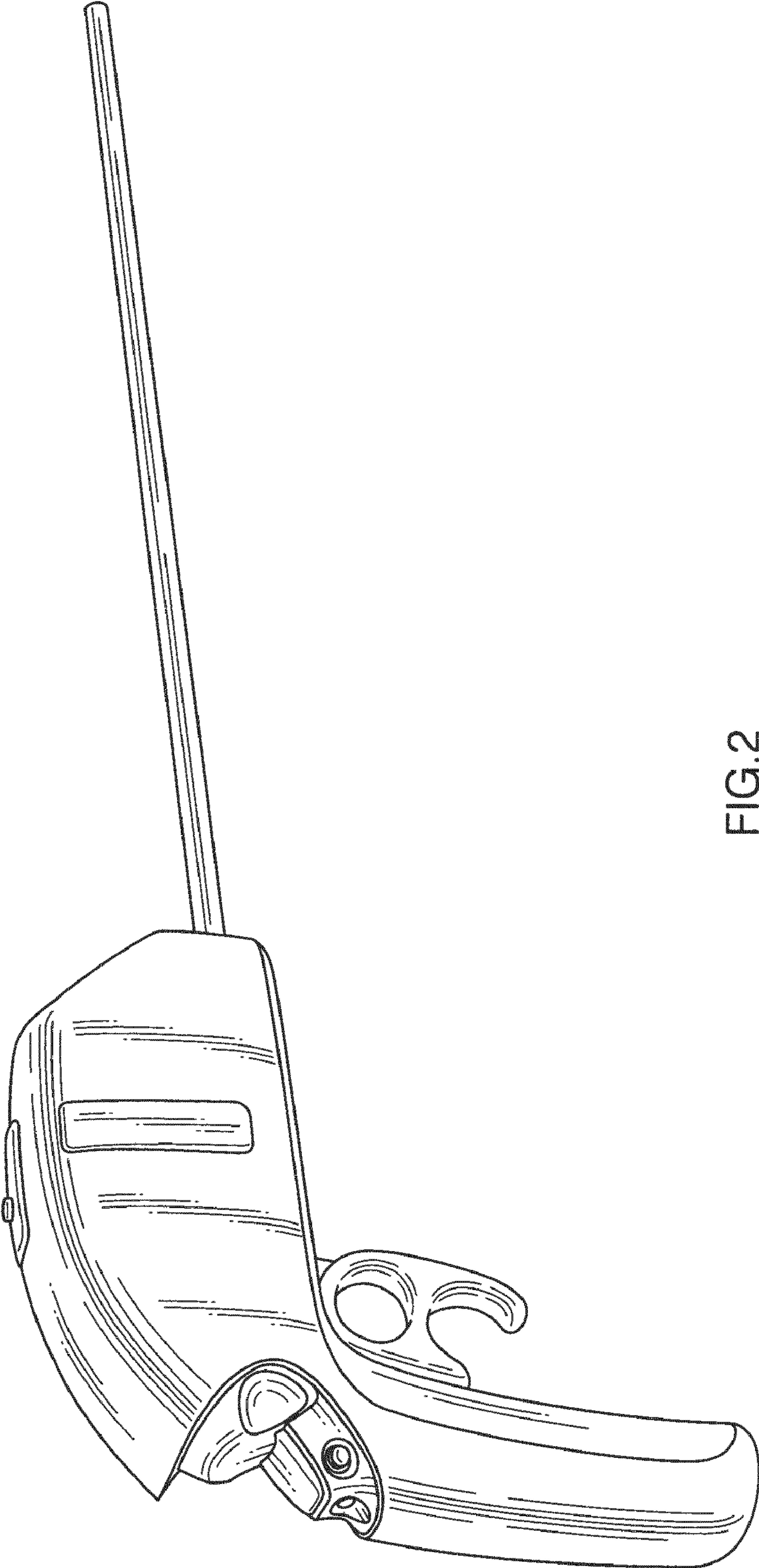


FIG.2

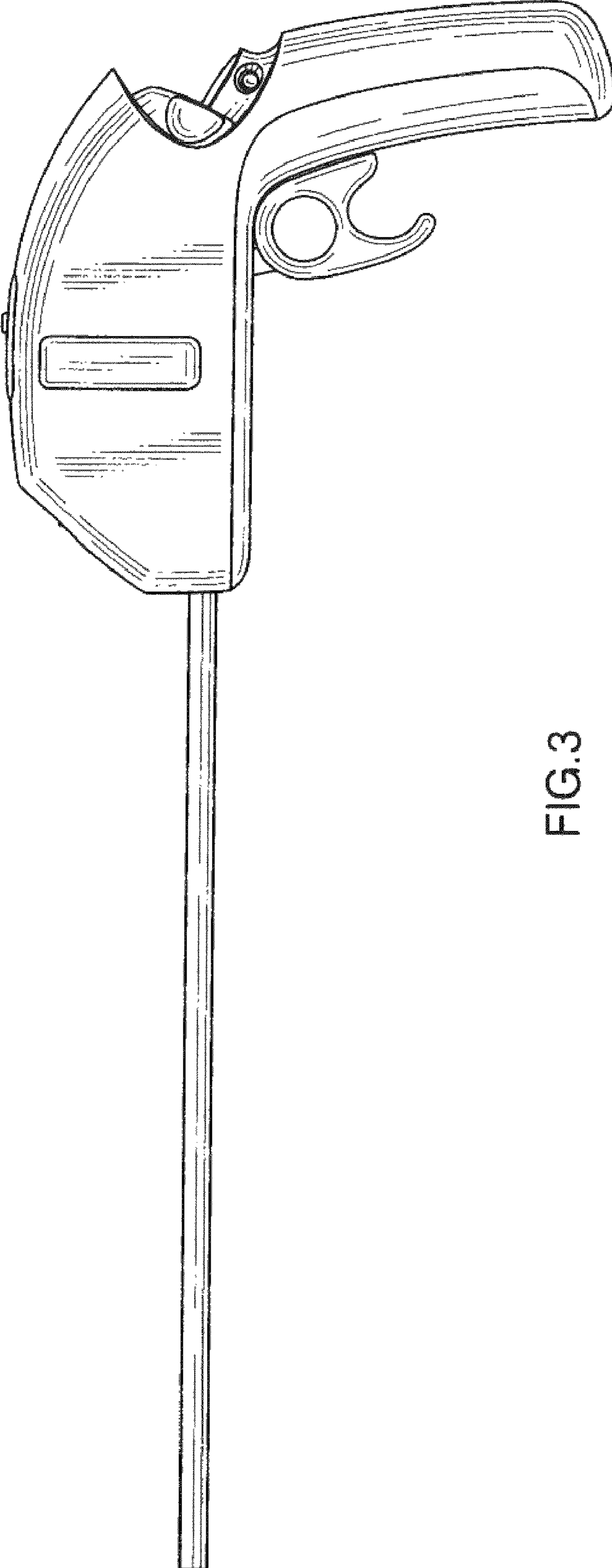


FIG.3

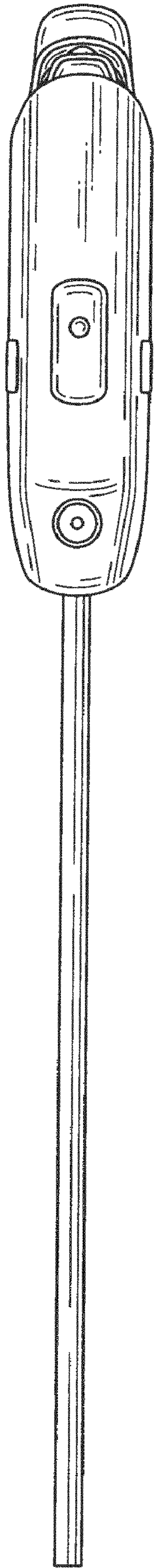


FIG.4

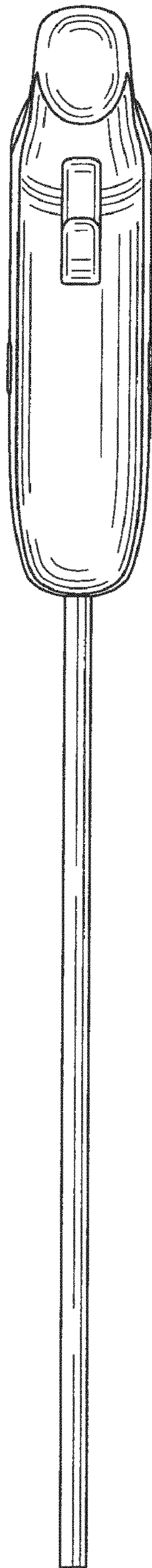


FIG.5

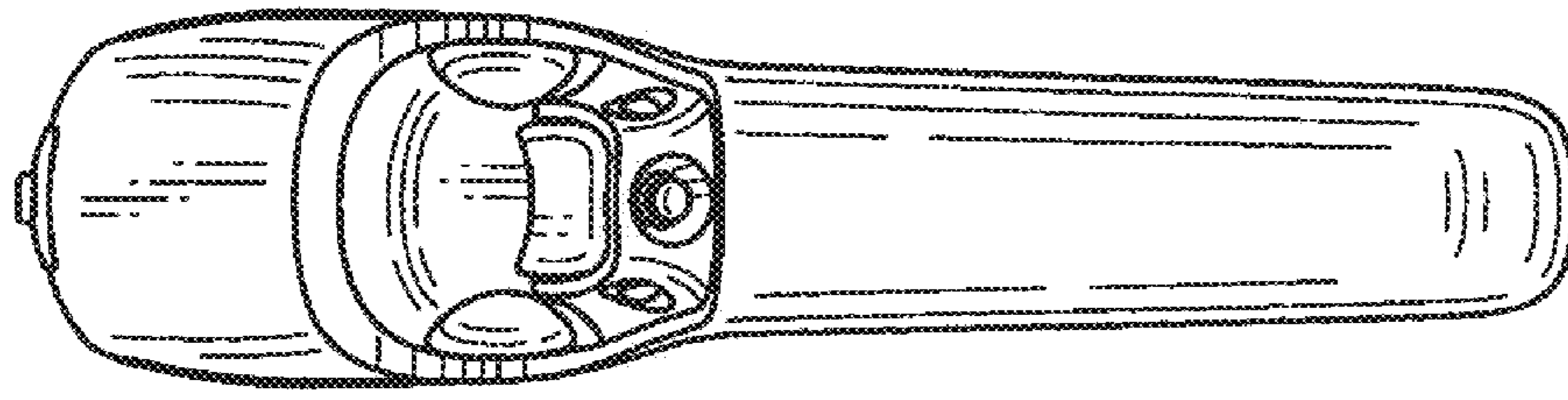


FIG. 6

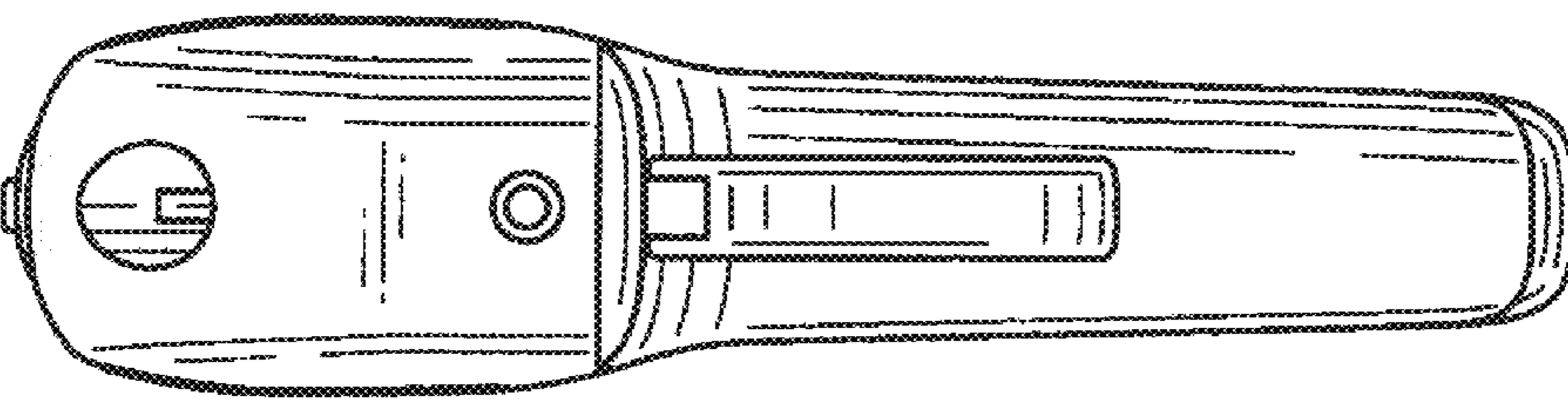


FIG. 7