

US00D638539S

(12) **United States Design Patent**
Ellis et al.

(10) **Patent No.:** **US D638,539 S**

(45) **Date of Patent:** **** *May 24, 2011**

(54) **NEEDLE HUB**

(75) Inventors: **Robert G. Ellis**, Wayne, NJ (US);
Anthony Economou, Sparta, NJ (US)

(73) Assignee: **Becton, Dickinson and Company**,
Franklin Lakes, NJ (US)

(*) Notice: This patent is subject to a terminal disclaimer.

(**) Term: **14 Years**

(21) Appl. No.: **29/368,026**

(22) Filed: **Aug. 17, 2010**

Related U.S. Application Data

(63) Continuation-in-part of application No. 29/356,203,
filed on Feb. 22, 2010.

(51) **LOC (9) Cl.** **24-02**

(52) **U.S. Cl.** **D24/130**

(58) **Field of Classification Search** D24/127-132,
D24/11; 600/566-567, 576-578; 604/110,
604/157-158, 164.01-164.09, 192, 195,
604/198, 263, 272, 506

See application file for complete search history.

(56) **References Cited**

U.S. PATENT DOCUMENTS

D288,005	S *	1/1987	Glash et al.	D24/130
4,982,842	A	1/1991	Hollister	
4,984,580	A *	1/1991	Wanamaker	600/576
5,045,065	A	9/1991	Raulerson	
5,104,381	A *	4/1992	Gresl et al.	604/158
5,256,153	A *	10/1993	Hake	604/198
5,489,266	A	2/1996	Grimard	
5,584,816	A *	12/1996	Gyure et al.	604/192
5,752,940	A *	5/1998	Grimard	604/181
6,179,812	B1 *	1/2001	Botich et al.	604/110

(Continued)

OTHER PUBLICATIONS

U.S. Appl. No. 29/356,207, filed Feb. 22, 2010, entitled "Needle Hub".

U.S. Appl. No. 29/356,209, filed Feb. 22, 2010, entitled "Needle Hub".

U.S. Appl. No. 29/356,203, filed Feb. 22, 2010, entitled "Needle Hub".

Primary Examiner — T. Chase Nelson

Assistant Examiner — Eric Goodman

(74) *Attorney, Agent, or Firm* — The Webb Law Firm

(57) **CLAIM**

The ornamental design for a needle hub, as shown and described.

DESCRIPTION

FIG. 1 is a frontwardly directed perspective view of a needle hub in accordance with an embodiment of the present invention.

FIG. 2 is a rearwardly directed perspective view of the needle hub of FIG. 1 in accordance with an embodiment of the present invention.

FIG. 3 is a top view of the needle hub of FIG. 1 in accordance with an embodiment of the present invention.

FIG. 4 is a right side view of the needle hub of FIG. 1 in accordance with an embodiment of the present invention.

FIG. 5 is a rear view of the needle hub of FIG. 1 in accordance with an embodiment of the present invention.

FIG. 6 is a front view of the needle hub of FIG. 1 in accordance with an embodiment of the present invention.

FIG. 7 is a left side view of the needle hub of FIG. 1 in accordance with an embodiment of the present invention.

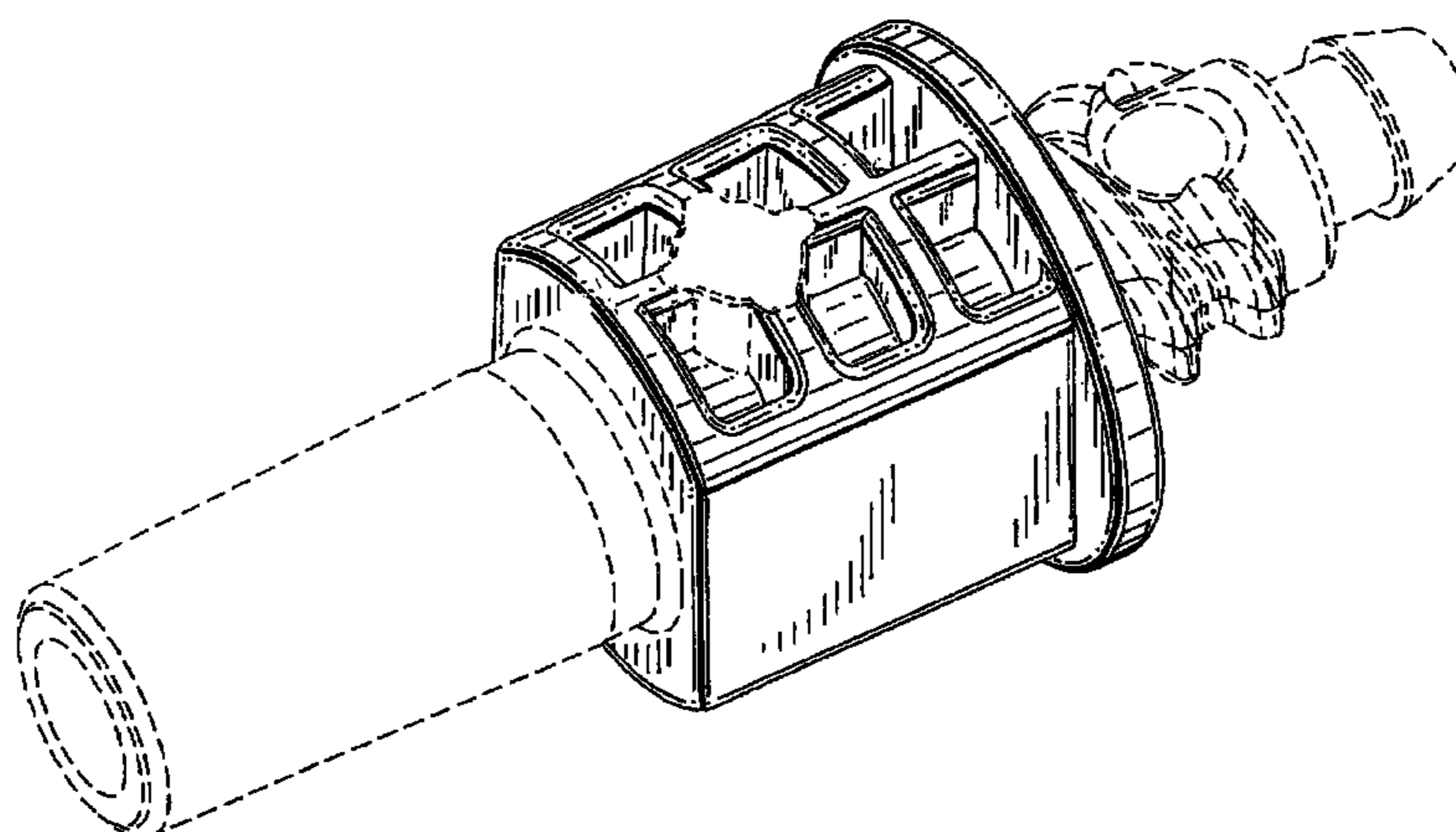
FIG. 8 is a bottom view of the needle hub of FIG. 1 in accordance with an embodiment of the present invention.

FIG. 9 is a perspective view of the needle hub of FIG. 1 engaged with a tube holder in accordance with an embodiment of the present invention; and,

FIG. 10 is a perspective view of the needle hub of FIG. 1 engaged with a flexible fluid collection or infusion set in accordance with an embodiment of the present invention.

The broken lines shown in FIGS. 1-10 are provided for the purpose of showing environment only, and form no portion of the claimed design.

1 Claim, 9 Drawing Sheets



US D638,539 S

Page 2

U.S. PATENT DOCUMENTS

6,196,998	B1 *	3/2001	Jansen et al.	604/111	2004/0178098	A1	9/2004	Swenson et al.	
6,217,550	B1	4/2001	Capes		2004/0199085	A1	10/2004	Young et al.	
6,391,008	B1 *	5/2002	Tsai	604/195	2005/0065482	A1 *	3/2005	Hauri et al.	604/263
6,517,516	B1	2/2003	Caizza		2005/0148942	A1 *	7/2005	Newby et al.	604/192
6,629,956	B1 *	10/2003	Polidoro et al.	604/164.01	2005/0192541	A1 *	9/2005	Novacek et al.	604/195
6,726,649	B2	4/2004	Swenson et al.		2006/0184135	A1	8/2006	Prais et al.	
D494,677	S *	8/2004	Garvin	D24/130	2006/0189934	A1 *	8/2006	Kuracina et al.	604/110
6,878,131	B2 *	4/2005	Novacek et al.	604/110	2006/0200095	A1	9/2006	Steube	
D506,548	S *	6/2005	Andrews et al.	D24/130	2007/0021722	A1	1/2007	Bressler et al.	
7,204,813	B2	4/2007	Shue et al.		2007/0123822	A1	5/2007	Wang et al.	
7,387,615	B2	6/2008	Coelho et al.		2008/0033395	A1	2/2008	Alchas	
D620,591	S *	7/2010	Young	D24/130	2008/0039800	A1 *	2/2008	Bush et al.	604/192
7,794,432	B2 *	9/2010	Young et al.	604/192	2009/0171276	A1	7/2009	Bednarek et al.	
D627,880	S *	11/2010	Ellis et al.	D24/130	2009/0177167	A1	7/2009	Kuracina et al.	
D627,881	S *	11/2010	Ellis et al.	D24/130	2009/0204026	A1 *	8/2009	Crawford et al.	600/576
2001/0018572	A1 *	8/2001	Kinsey et al.	604/164.06	2010/0094171	A1 *	4/2010	Conway et al.	600/575
2002/0055715	A1 *	5/2002	Young et al.	604/164.04	2010/0106092	A1	4/2010	Tanabe et al.	
2003/0069518	A1	4/2003	Daley et al.		2010/0137815	A1 *	6/2010	Kuracina et al.	604/263
2004/0019344	A1	1/2004	Peterson et al.		2010/0160823	A1 *	6/2010	Parihar et al.	600/567

* cited by examiner

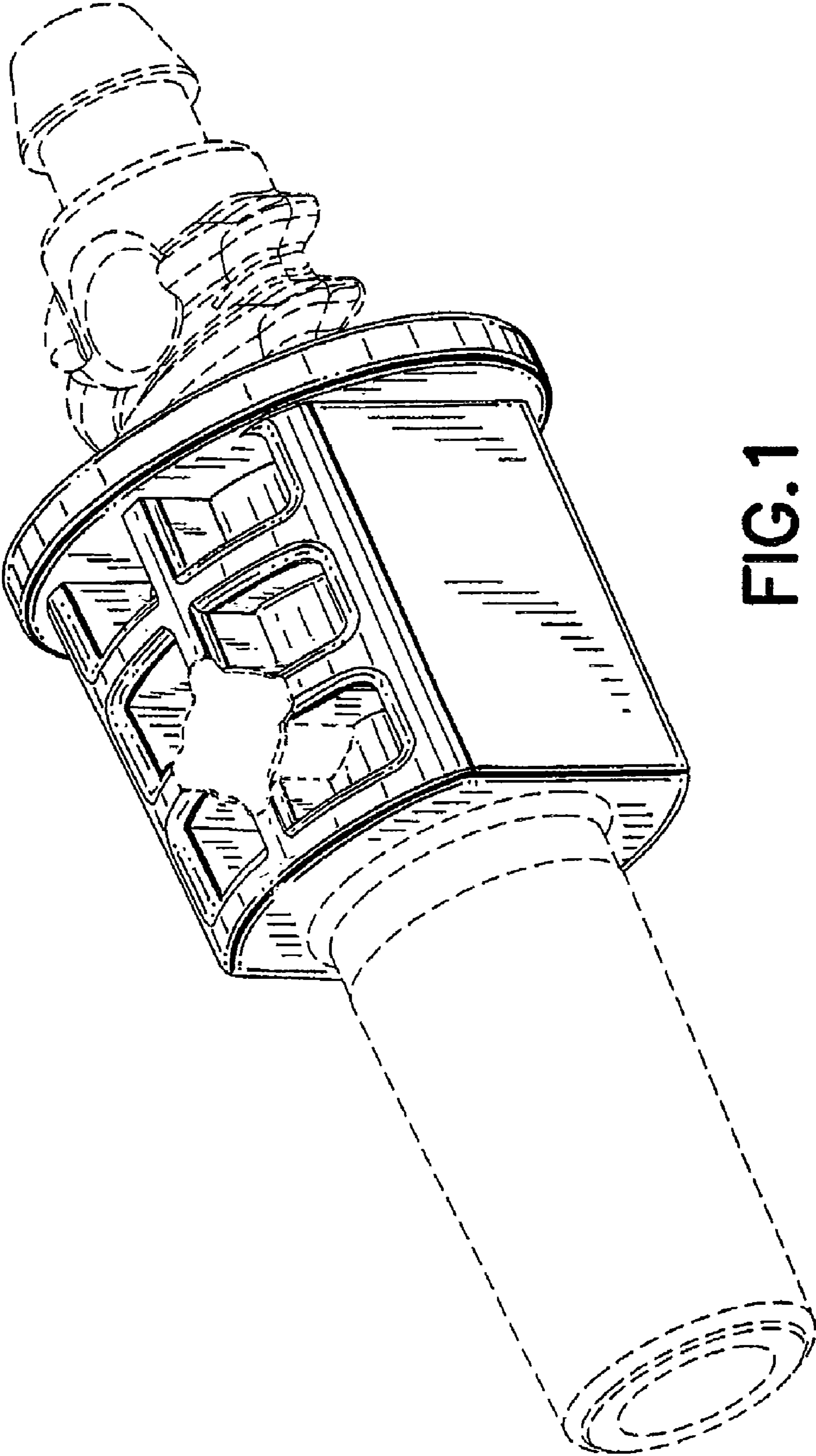


FIG. 1

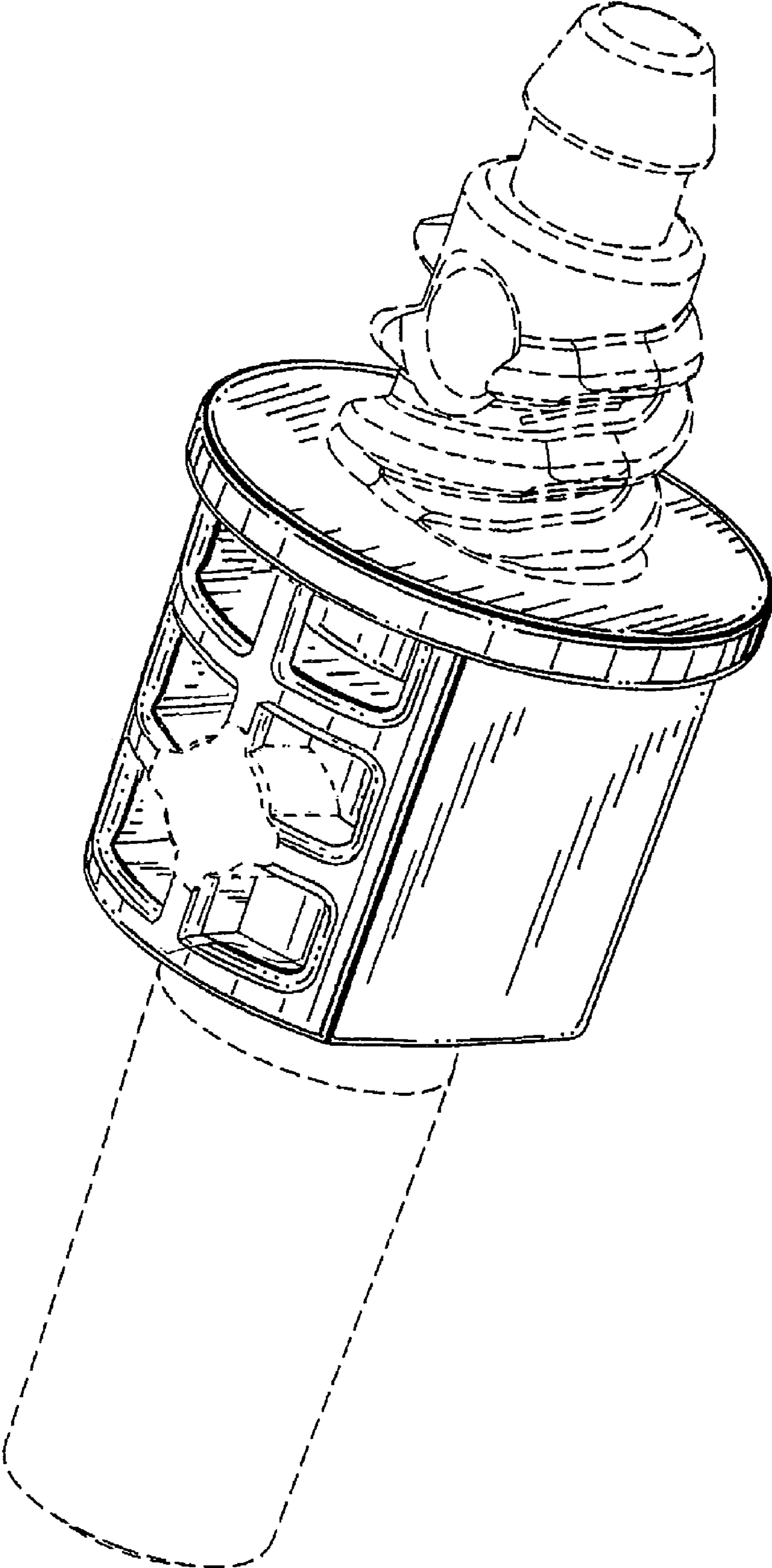


FIG. 2

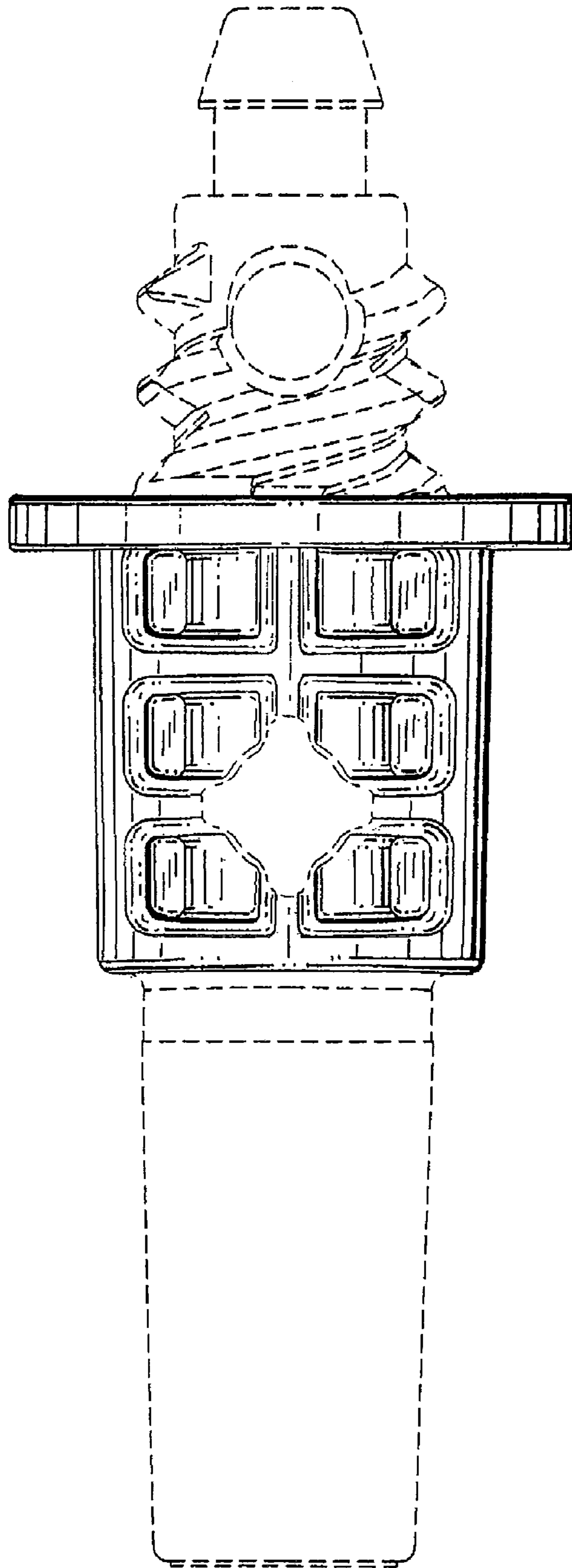


FIG.3

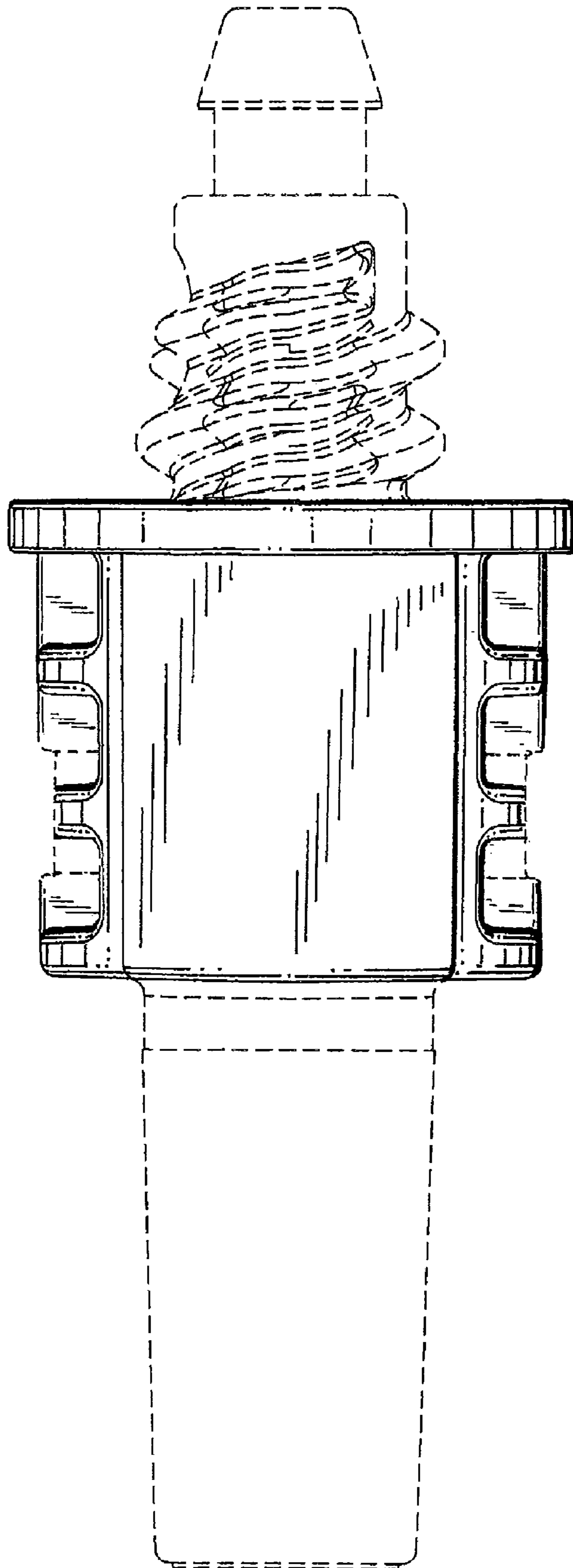


FIG.4

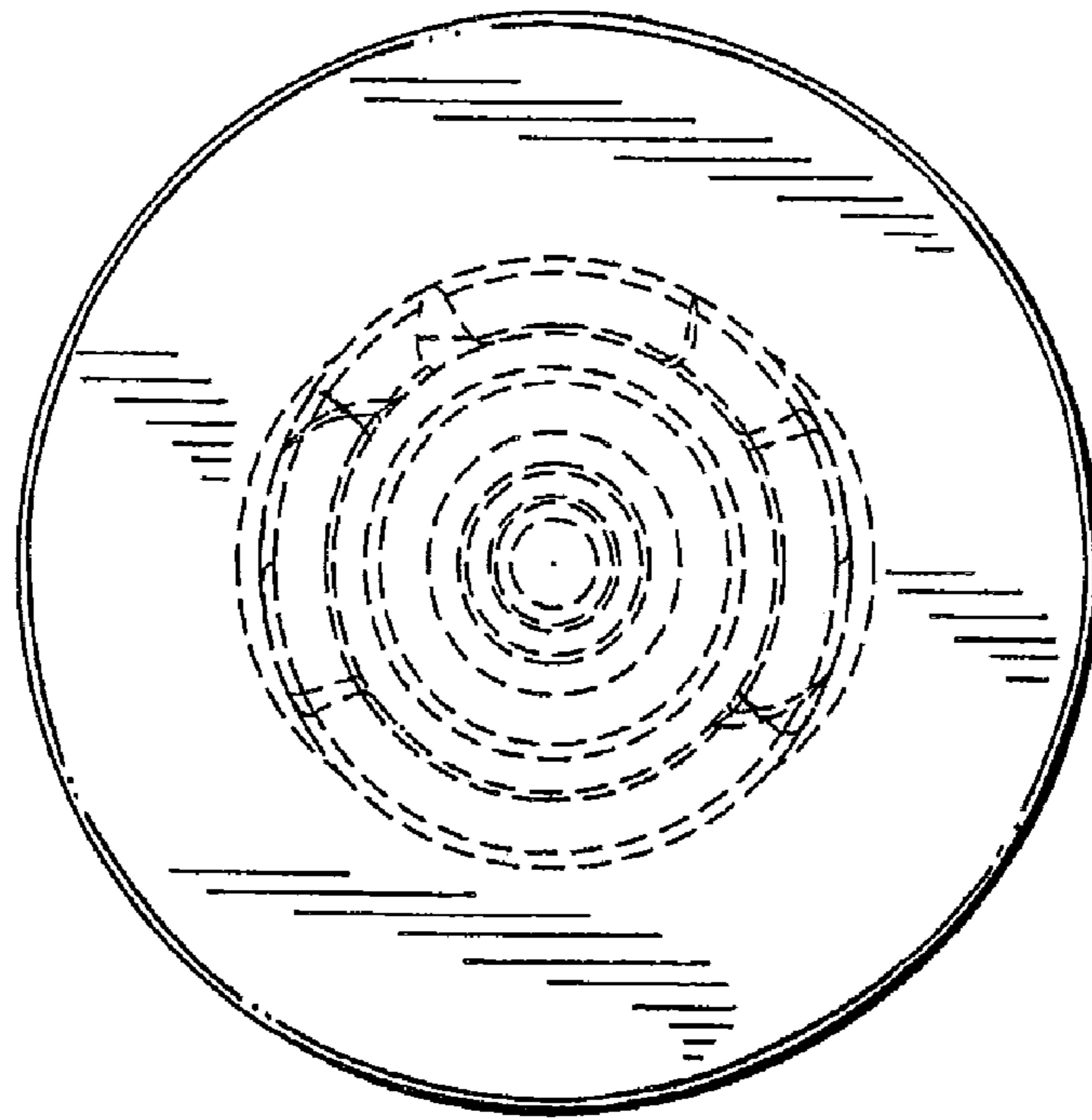


FIG. 5

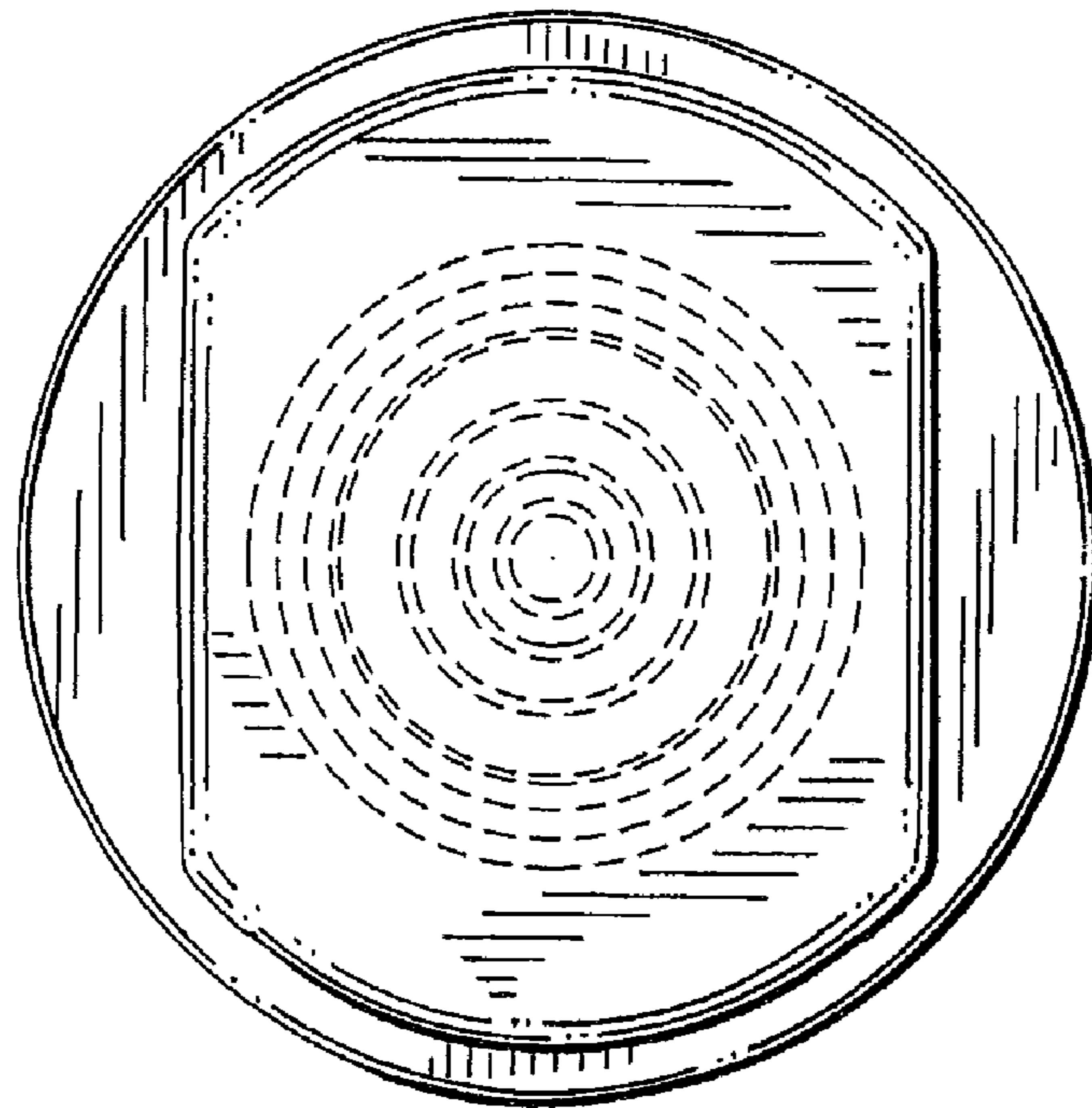


FIG. 6

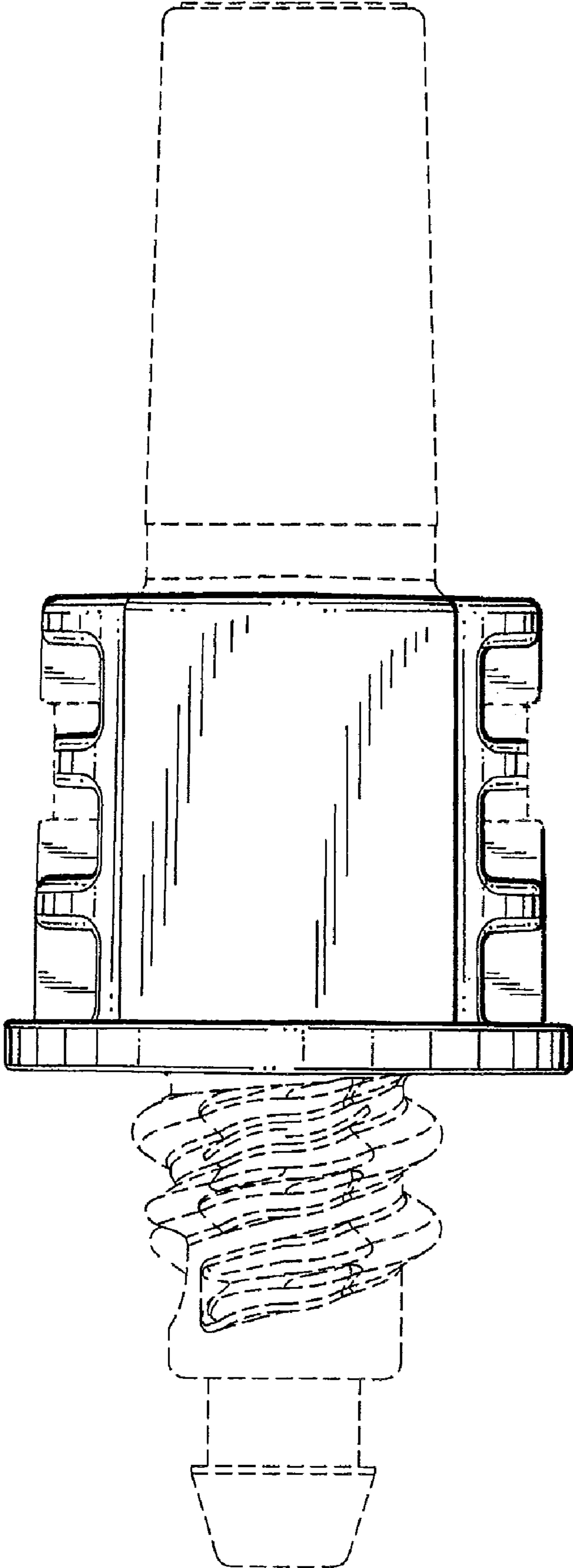


FIG. 7

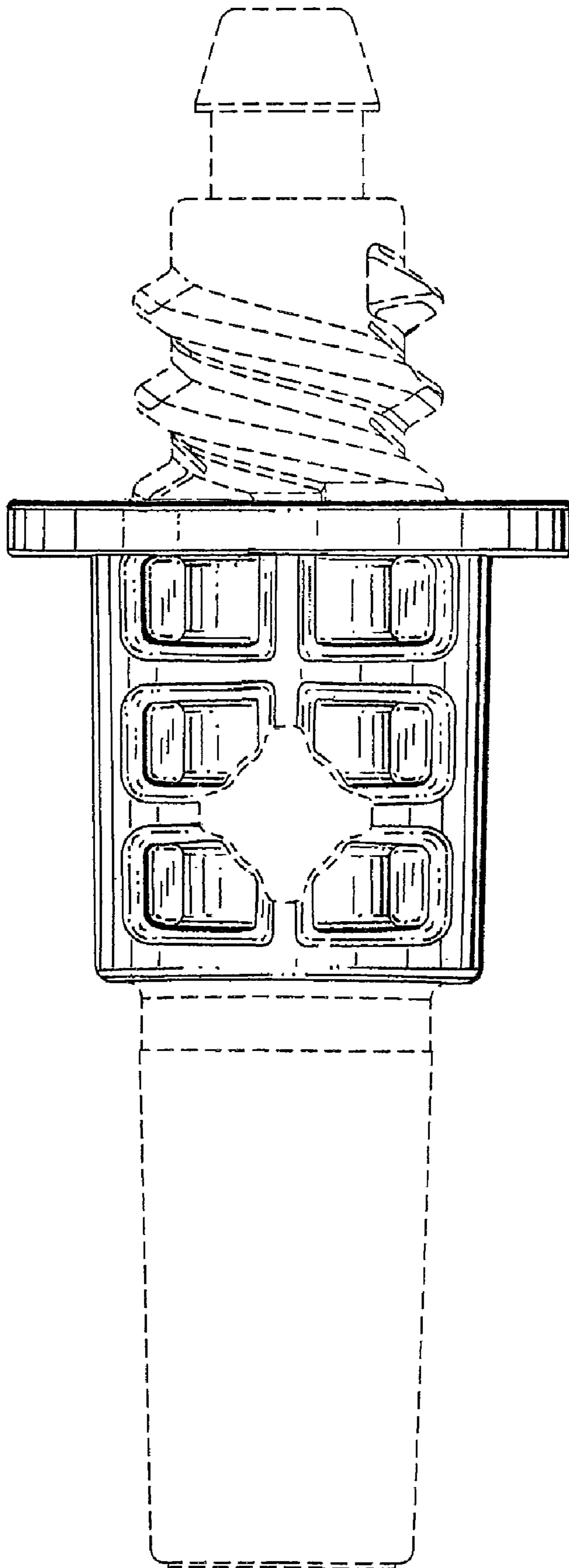


FIG.8

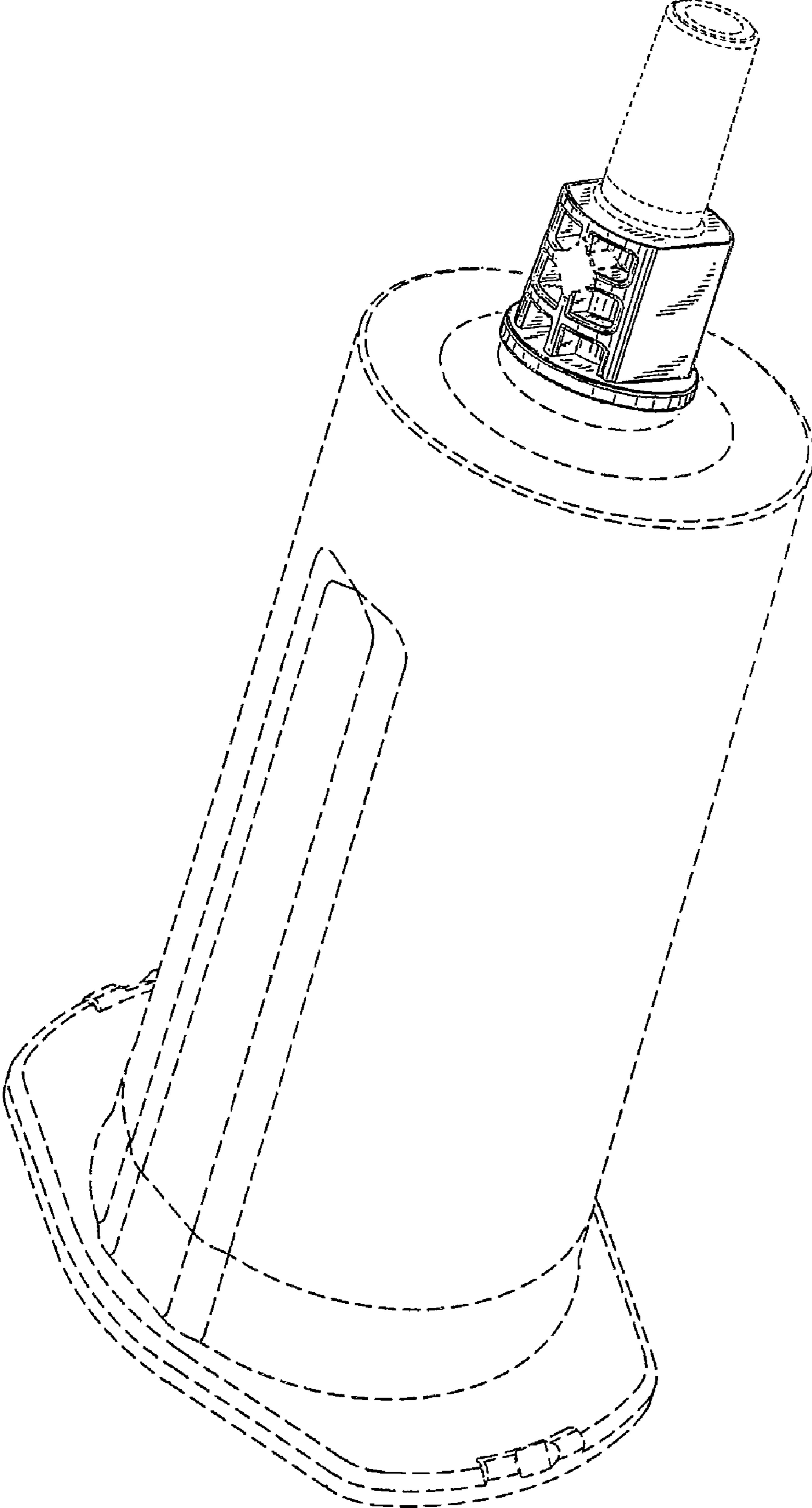


FIG. 9

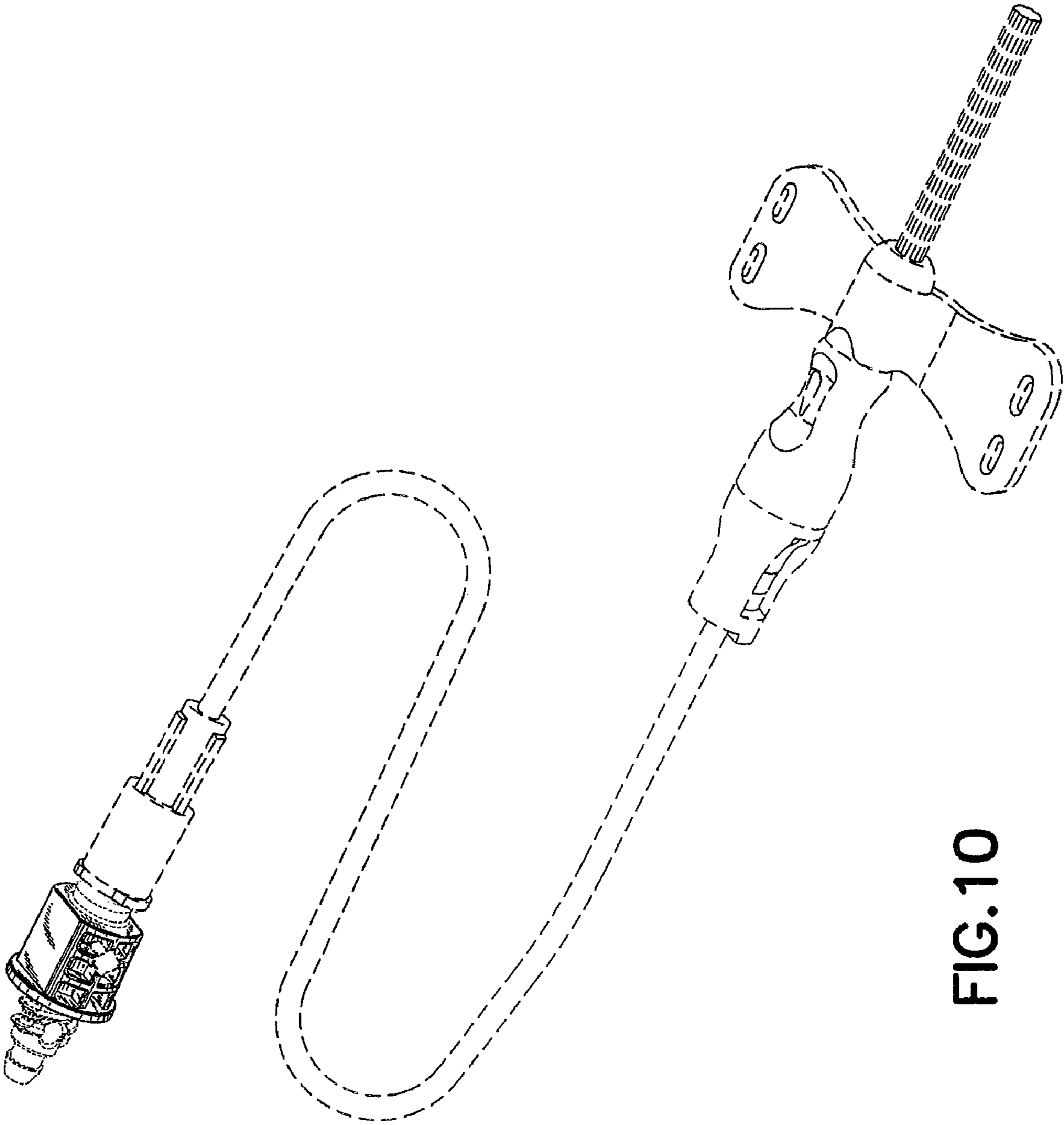


FIG. 10