



US00D638538S

(12) **United States Design Patent**
Kosinski et al.

(10) **Patent No.:** **US D638,538 S**

(45) **Date of Patent:** **** May 24, 2011**

(54) **SYRINGE PLUNGER ROD**

(75) Inventors: **Anthony J. Kosinski**, New Providence, NJ (US); **Girum Yemane**, Hackensack, NJ (US); **Nichola Charles**, Flanders, NJ (US)

(73) Assignee: **Becton, Dickinson and Company**, Franklin Lakes, NJ (US)

(**) Term: **14 Years**

(21) Appl. No.: **29/365,538**

(22) Filed: **Jul. 9, 2010**

Related U.S. Application Data

(63) Continuation of application No. 12/833,551, filed on Jul. 9, 2010.

(51) **LOC (9) Cl.** **24-02**

(52) **U.S. Cl.** **D24/130**

(58) **Field of Classification Search** D24/112, D24/113, 114, 130; 604/218, 232, 224, 228, 604/110, 195; 222/390

See application file for complete search history.

(56) **References Cited**

U.S. PATENT DOCUMENTS

6,790,197	B2 *	9/2004	Kosinski et al.	604/110
2002/0007147	A1 *	1/2002	Capes et al.	604/110
2004/0186427	A1 *	9/2004	Pok	604/110
2004/0199113	A1 *	10/2004	Capes et al.	604/110

2005/0187518	A1 *	8/2005	Pelkey et al.	604/110
2006/0052748	A1 *	3/2006	Coelho et al.	604/110
2006/0167409	A1 *	7/2006	Pelkey et al.	604/110
2006/0247582	A1	11/2006	Alheidt et al.	
2007/0078406	A1 *	4/2007	Lee	604/198
2007/0179452	A1	8/2007	Kosinski	
2007/0299395	A1 *	12/2007	Pelkey et al.	604/110
2008/0021414	A1	1/2008	Alheidt	
2008/0221531	A1	9/2008	Alheidt et al.	
2008/0262439	A1	10/2008	Alheidt	
2008/0300550	A1	12/2008	Schiller et al.	
2008/0300551	A1	12/2008	Schiller et al.	
2009/0048560	A1 *	2/2009	Caizza et al.	604/110
2009/0076450	A1 *	3/2009	Caizza et al.	604/110
2010/0076370	A1	3/2010	Howlett et al.	
2010/0174236	A1 *	7/2010	Burns et al.	604/110

* cited by examiner

Primary Examiner — T. Chase Nelson

Assistant Examiner — Eric L Goodman

(74) *Attorney, Agent, or Firm* — Jeanne P. Lukasavage; Diehl Servilla LLC

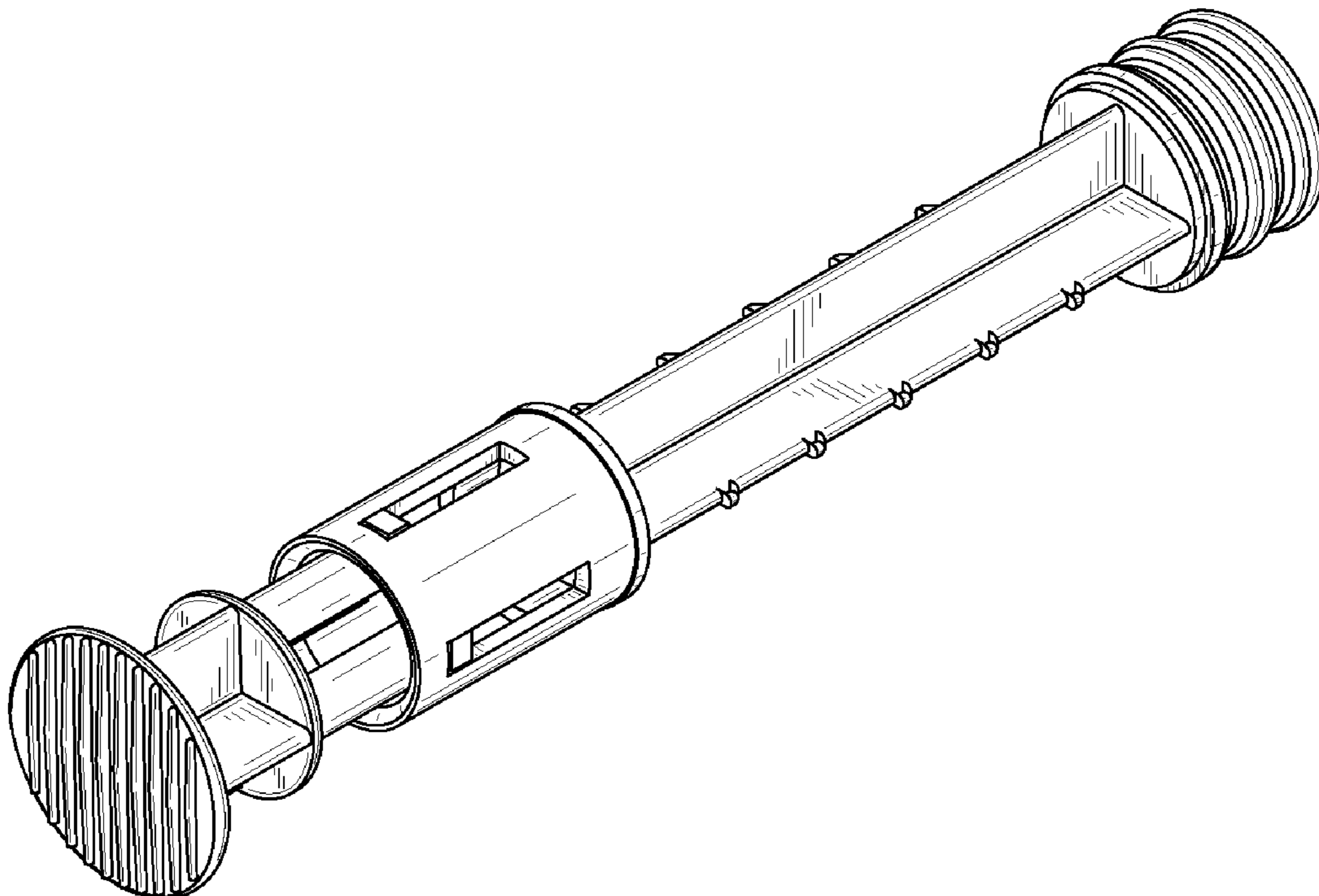
(57) **CLAIM**

The ornamental designs for a syringe plunger rod, as shown and described.

DESCRIPTION

FIG. 1 is a perspective view of a syringe plunger rod; FIG. 2 is a side view of a syringe plunger rod; FIG. 3 is a side view of a syringe plunger rod; FIG. 4 is a top view of a syringe plunger rod; and, FIG. 5 is a bottom view of a syringe plunger rod.

1 Claim, 3 Drawing Sheets



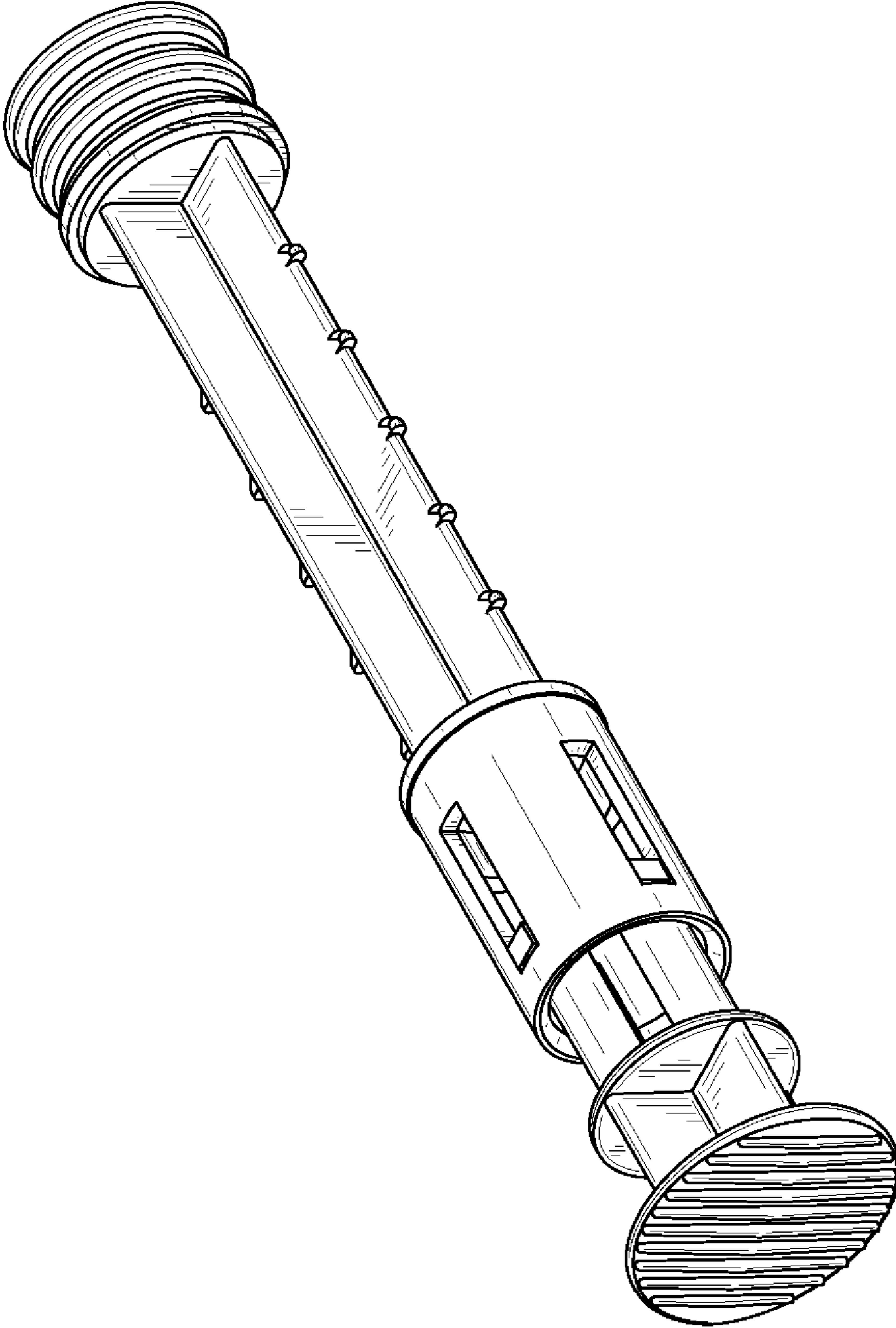


FIG. 1

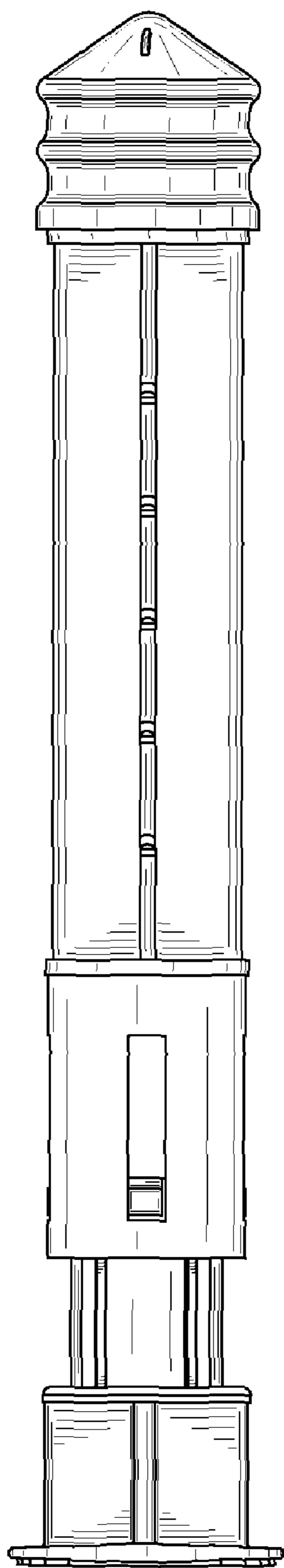


FIG. 2

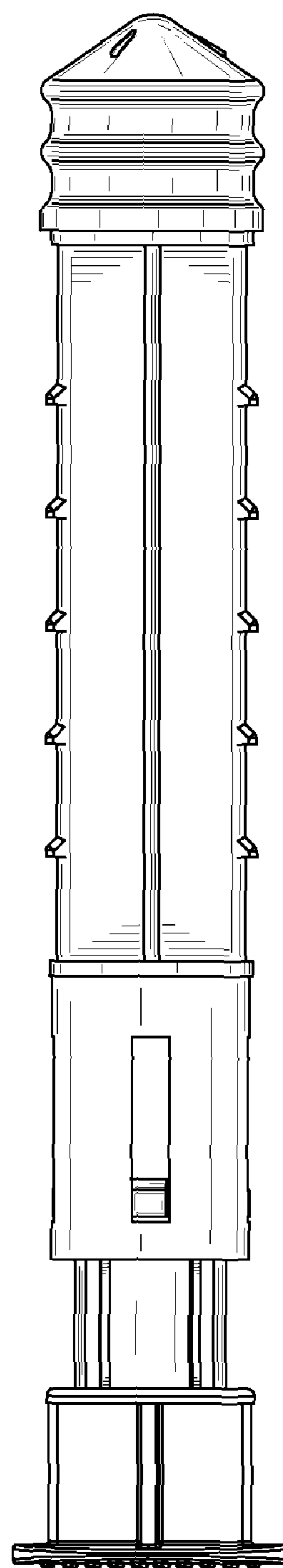


FIG. 3

FIG. 4

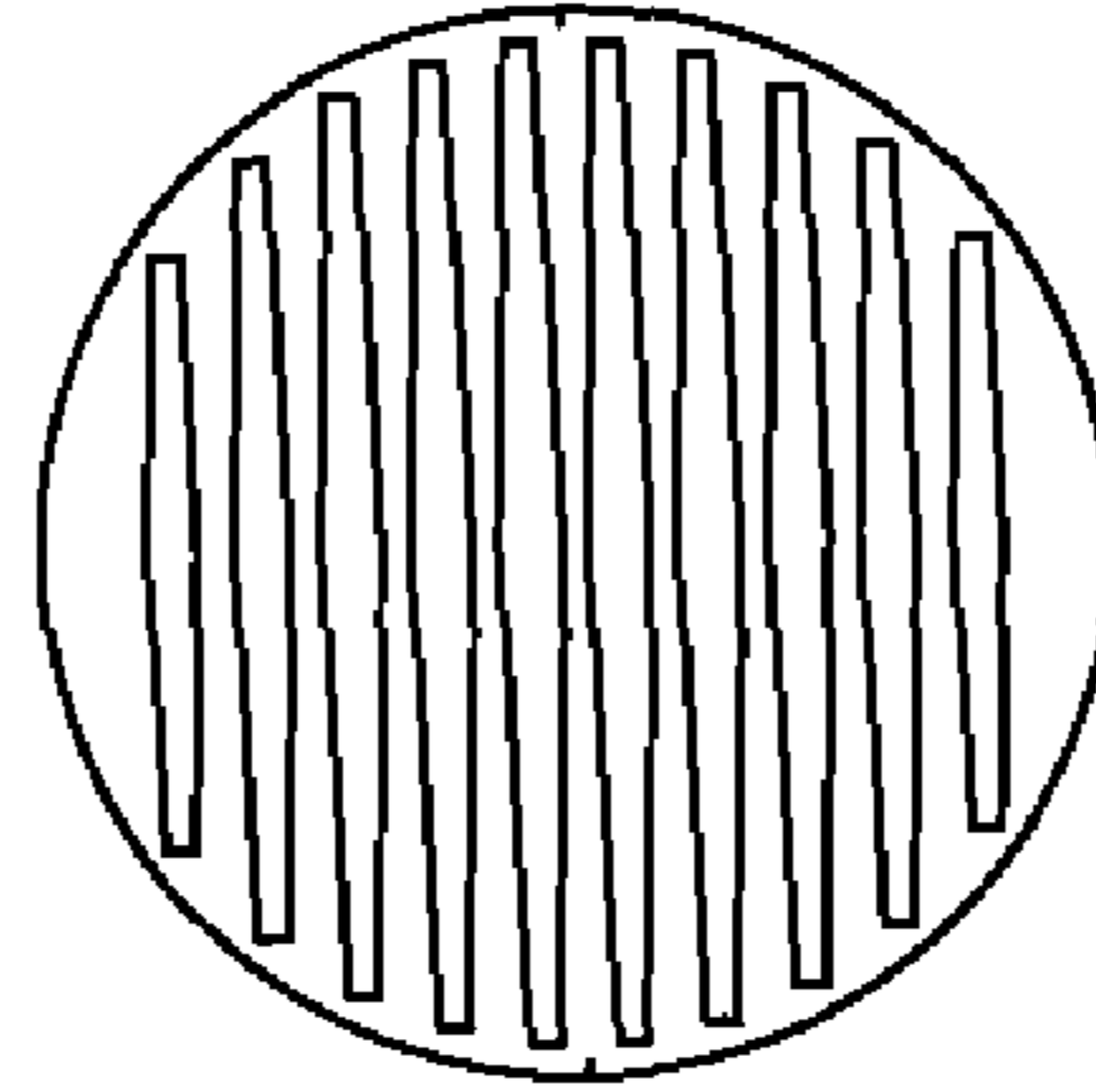


FIG. 5

