



US00D638537S

(12) **United States Design Patent**
Virr et al.

(10) **Patent No.:** **US D638,537 S**

(45) **Date of Patent:** **** May 24, 2011**

(54) **CUFF WITH AIR DELIVERY TUBE**

(75) Inventors: **Alexander Virr**, Balmain (AU); **Nathan John Row**, Lane Cove (AU); **Mark Bertinetti**, Ermington (AU); **Andrew Roderick Bath**, Quakers Hill (AU)

(73) Assignee: **ResMed Limited**, Bella Vista (AU)

(**) Term: **14 Years**

(21) Appl. No.: **29/371,191**

(22) Filed: **Nov. 18, 2010**

Related U.S. Application Data

(62) Division of application No. 29/311,183, filed on Jan. 12, 2009, now Pat. No. Des. 629,891.

(51) **LOC (9) Cl.** **24-02**

(52) **U.S. Cl.** **D24/129**

(58) **Field of Classification Search** D24/107,
D24/110, 110.4, 110.5, 110.6, 127, 128, 129,
D24/164; 128/200.24, 201.22, 202.27, 203.27,
128/204.18, 205.25, 206.15, 206.21; 138/121,
138/122; 156/143; 174/47; 285/260; 439/191;
604/27

See application file for complete search history.

(56) **References Cited**

U.S. PATENT DOCUMENTS

1,746,701	A *	2/1930	Kimmich	138/121
2,045,540	A	6/1936	Rodolfo	
2,073,335	A	3/1937	Connell	
2,516,864	A	8/1950	Gilmore	
2,954,802	A	10/1960	Duff	
3,163,707	A	12/1964	Darling	
3,224,444	A	12/1965	Dempster	
3,794,080	A *	2/1974	Huston et al.	138/121
D302,040	S	7/1989	Lambert	
D360,027	S	7/1995	Psaros	
5,720,504	A *	2/1998	Stedman et al.	285/226
6,575,944	B1	6/2003	McNary et al.	

6,923,184	B1	8/2005	Russo	
6,953,354	B2 *	10/2005	Edirisuriya et al.	439/191
6,983,757	B1 *	1/2006	Becker et al.	137/14
7,195,018	B1	3/2007	Goldstein	
7,226,302	B2 *	6/2007	Walter et al.	439/191
7,597,100	B2	10/2009	Ging et al.	
D628,288	S	11/2010	Row et al.	
D629,891	S *	12/2010	Virr et al.	D24/129
D629,892	S *	12/2010	Hill et al.	D24/129
2006/0283461	A1	12/2006	Lubke et al.	
2007/0000492	A1	1/2007	Hansel et al.	

(Continued)

OTHER PUBLICATIONS

Row et al., U.S. Appl. No. 12/461,967, filed Aug. 28, 2009.

(Continued)

Primary Examiner — Elizabeth A Albert

Assistant Examiner — Karen E Eldridge Powers

(74) *Attorney, Agent, or Firm* — Nixon & Vanderhye P.C.

(57) **CLAIM**

The ornamental design for a cuff with air delivery tube, as shown and described.

DESCRIPTION

FIG. 1 is a front perspective view of a cuff and a portion of an air delivery tube according to an embodiment of our design; FIG. 2 is a front view thereof, with the rear view being a mirror image thereof, with the exception of the cut-off portion of the air delivery tube;

FIG. 3 is a top view thereof, with the bottom view being identical thereto, with the exception of the cut-off portion of the air delivery tube;

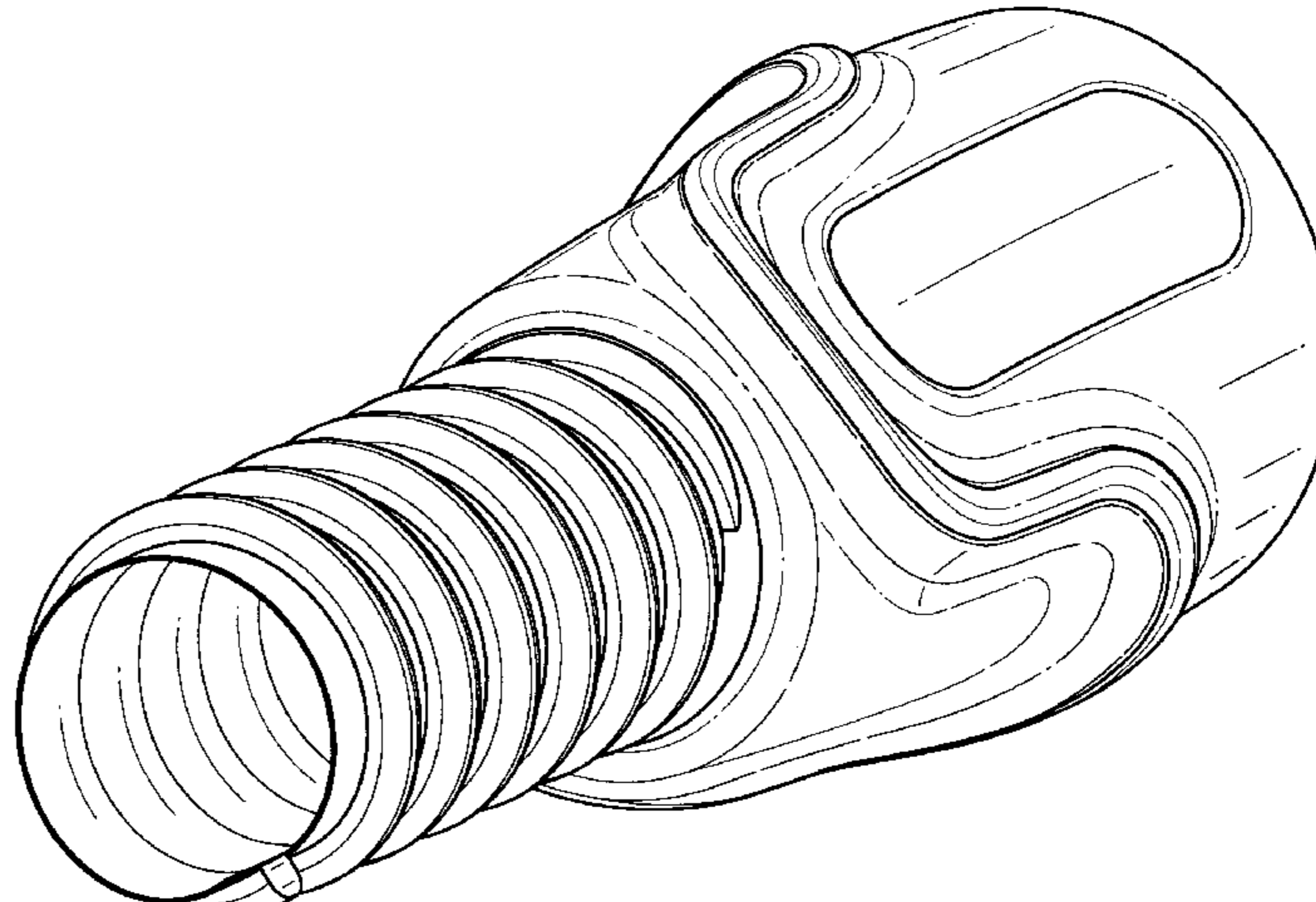
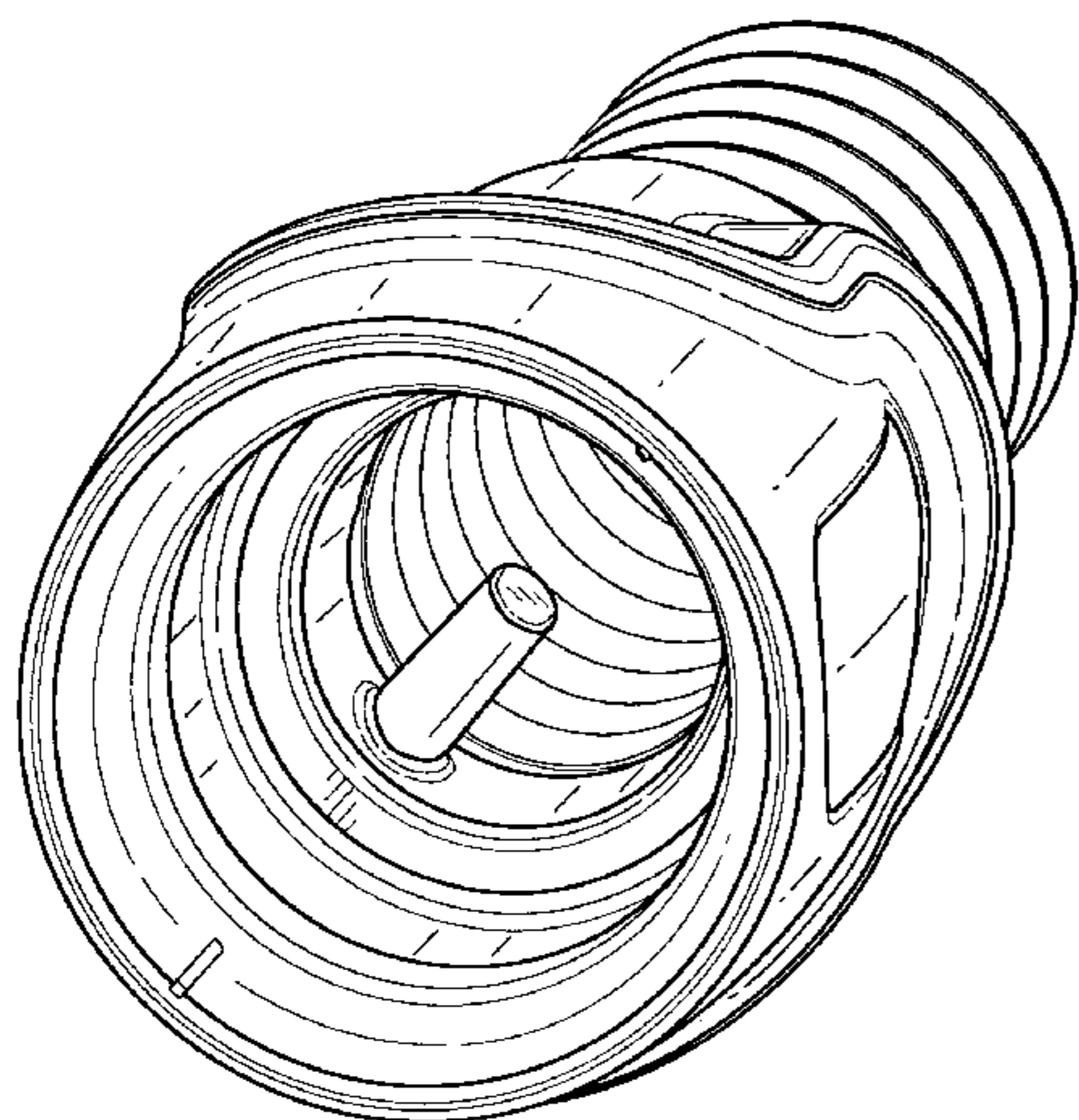
FIG. 4 is a right side view thereof;

FIG. 5 is a left side view thereof;

FIG. 6 is an alternate perspective view, from the front and left side; and,

FIG. 7 is an alternate perspective view, from the front and right side.

1 Claim, 6 Drawing Sheets



U.S. PATENT DOCUMENTS

2007/0095350 A1 5/2007 Darkin et al.
2007/0277828 A1 12/2007 Ho et al.
2008/0105257 A1 5/2008 Klasek et al.
2008/0210236 A1 9/2008 Richard et al.
2009/0025724 A1 10/2009 Herron, Jr.

OTHER PUBLICATIONS

Row et al., U.S. Appl. No. 61/202,907, filed Apr. 17, 2009.
Virr et al., U.S. Appl. No. 61/097,765, filed Sep. 17, 2008.

Virr et al., U.S. Appl. No. 61/226,134, filed Jul. 16, 2009.
CPAP Tubing, 6 ft (CPAP-6G), as shown on www.myrespiratorysupply.com, viewed Apr. 13, 2010 and review of same dated May 10, 2007 (3 pages).
ResMed's S9 Series Humidaire H5i Heated Humidifier with Climate Control, as shown on www.cpap.com, viewed Apr. 13, 2010 (13 pages). See pp. 10-11 for tubing connectors.
ResMed's S9 ClimateLine heated tubing, as shown on www.s9morecomfort.com, viewed Apr. 13, 2010 (4 pages).

* cited by examiner

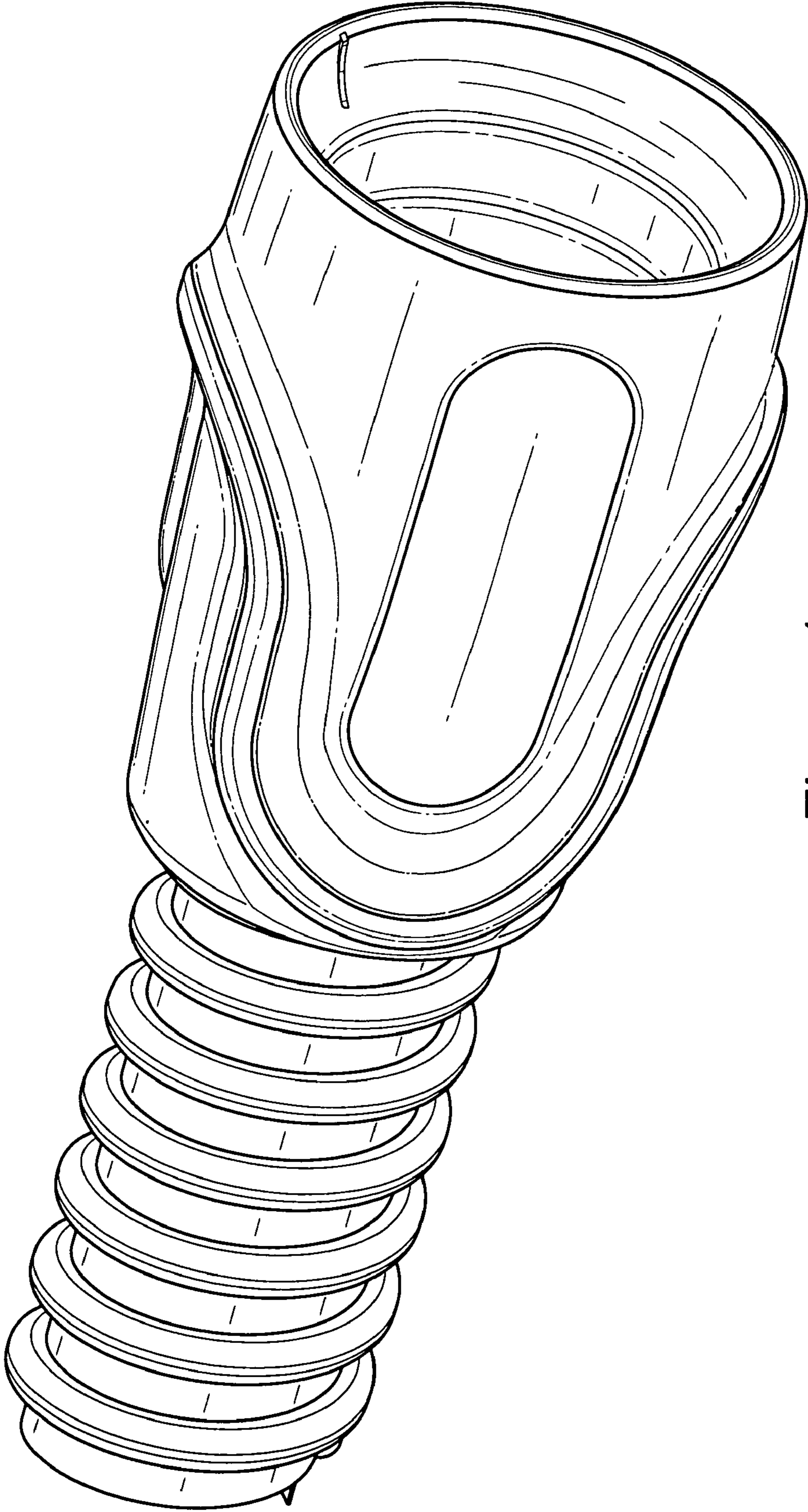


Figure 1

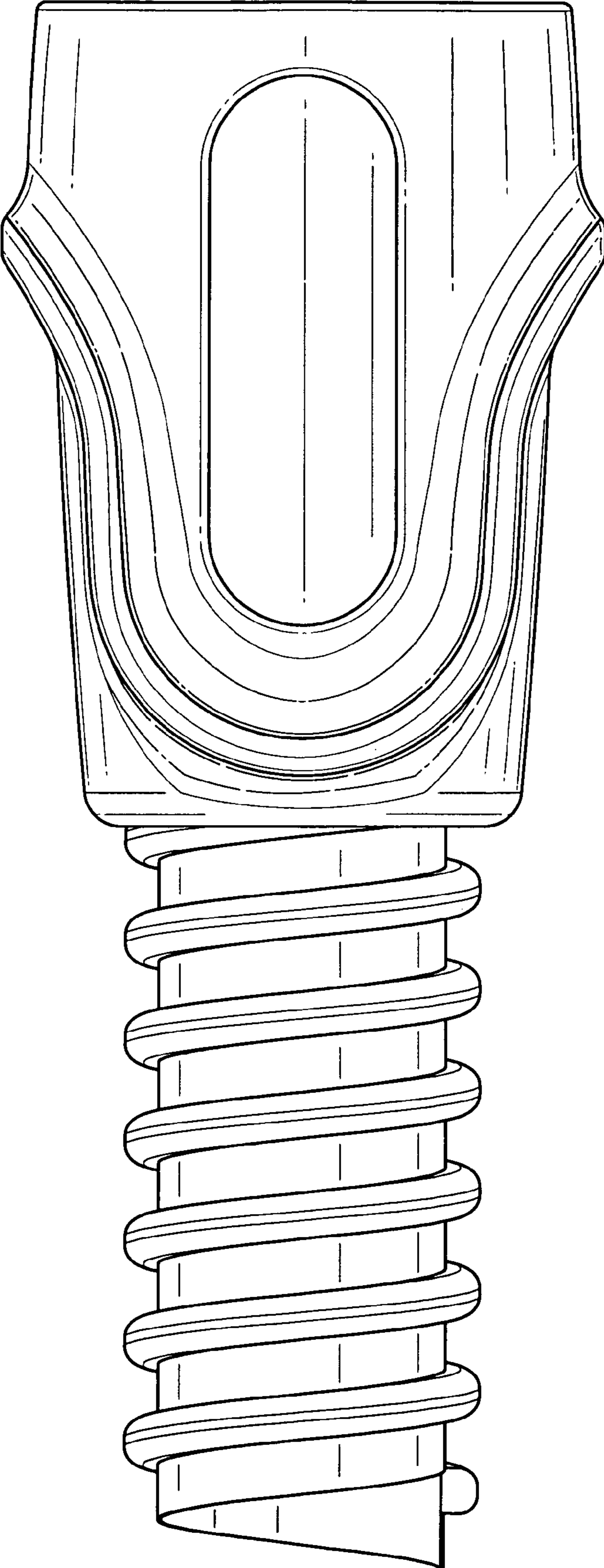


Figure 2

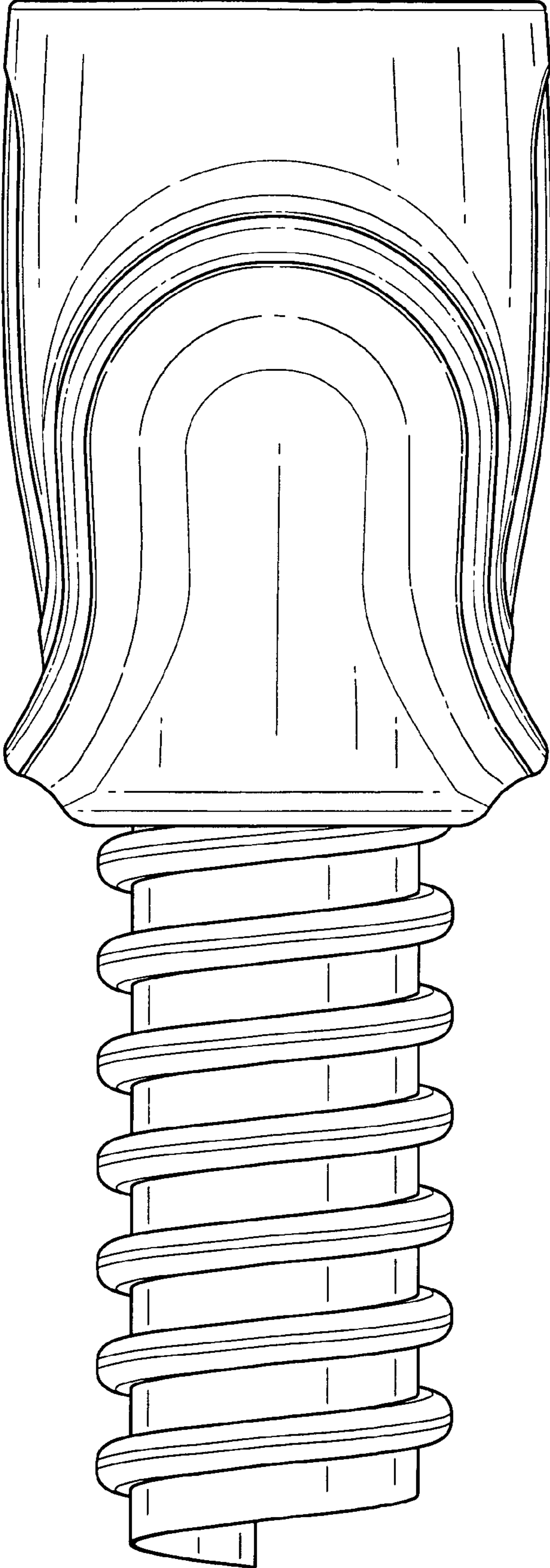


Figure 3

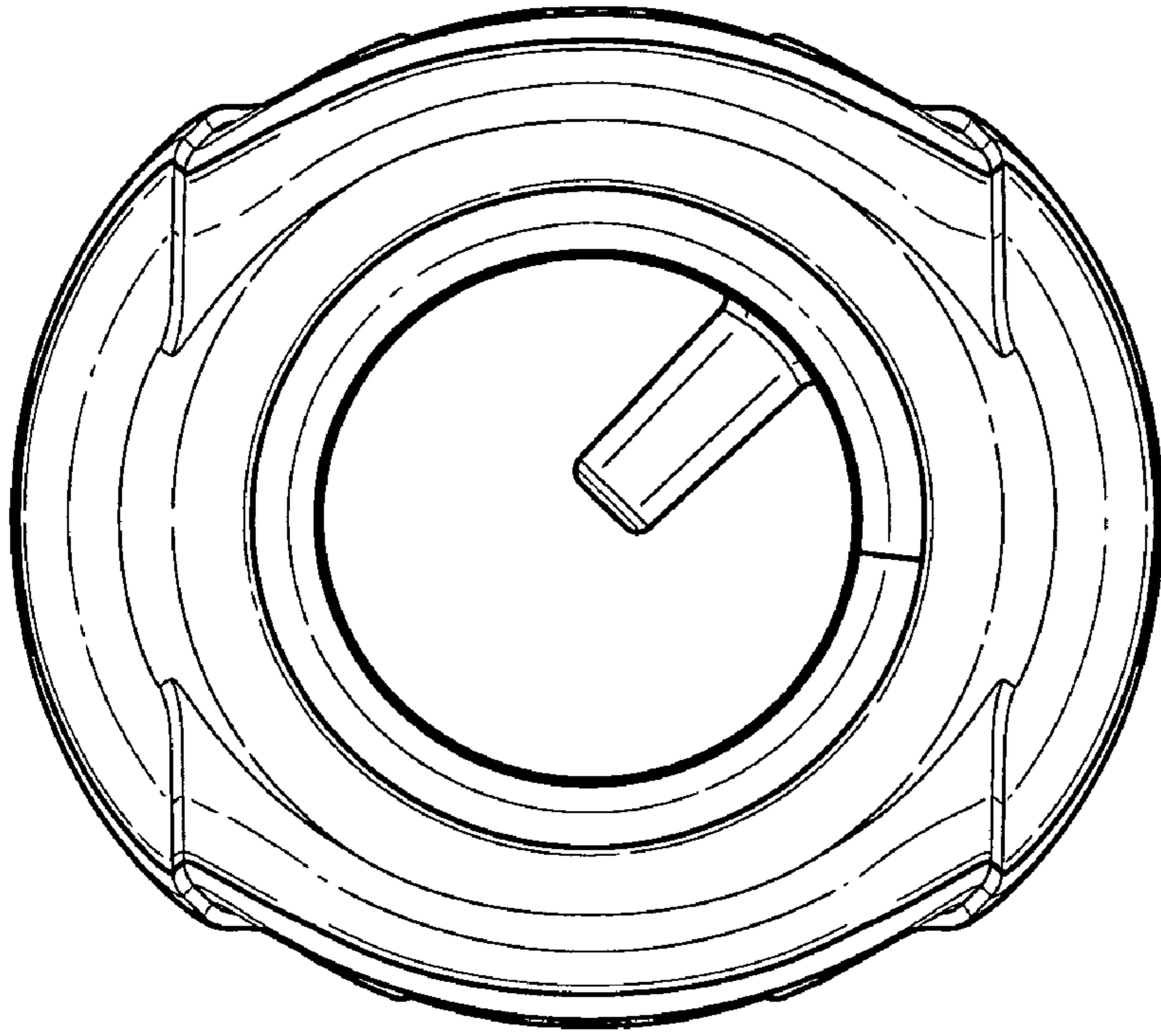


Figure 5

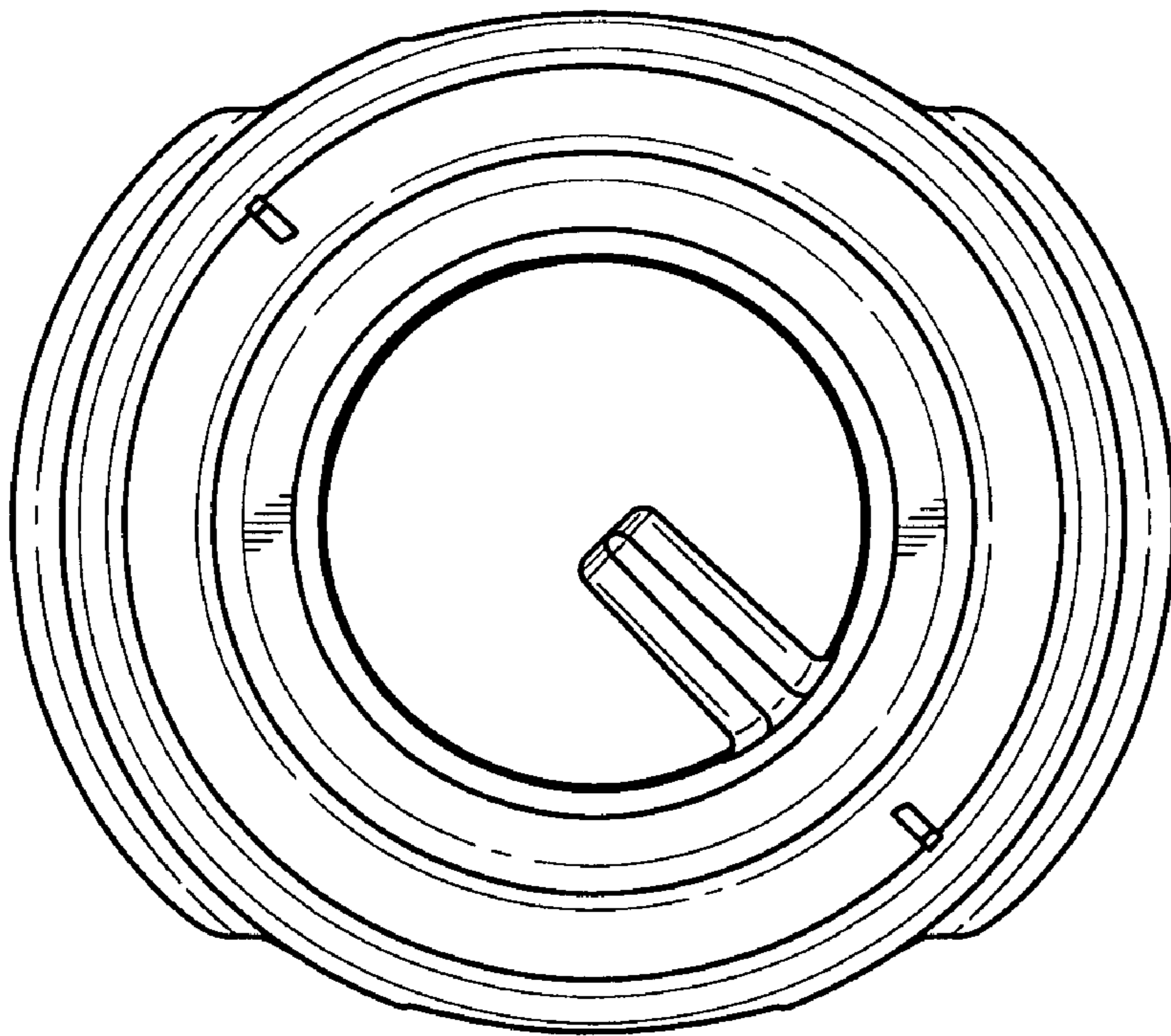


Figure 4

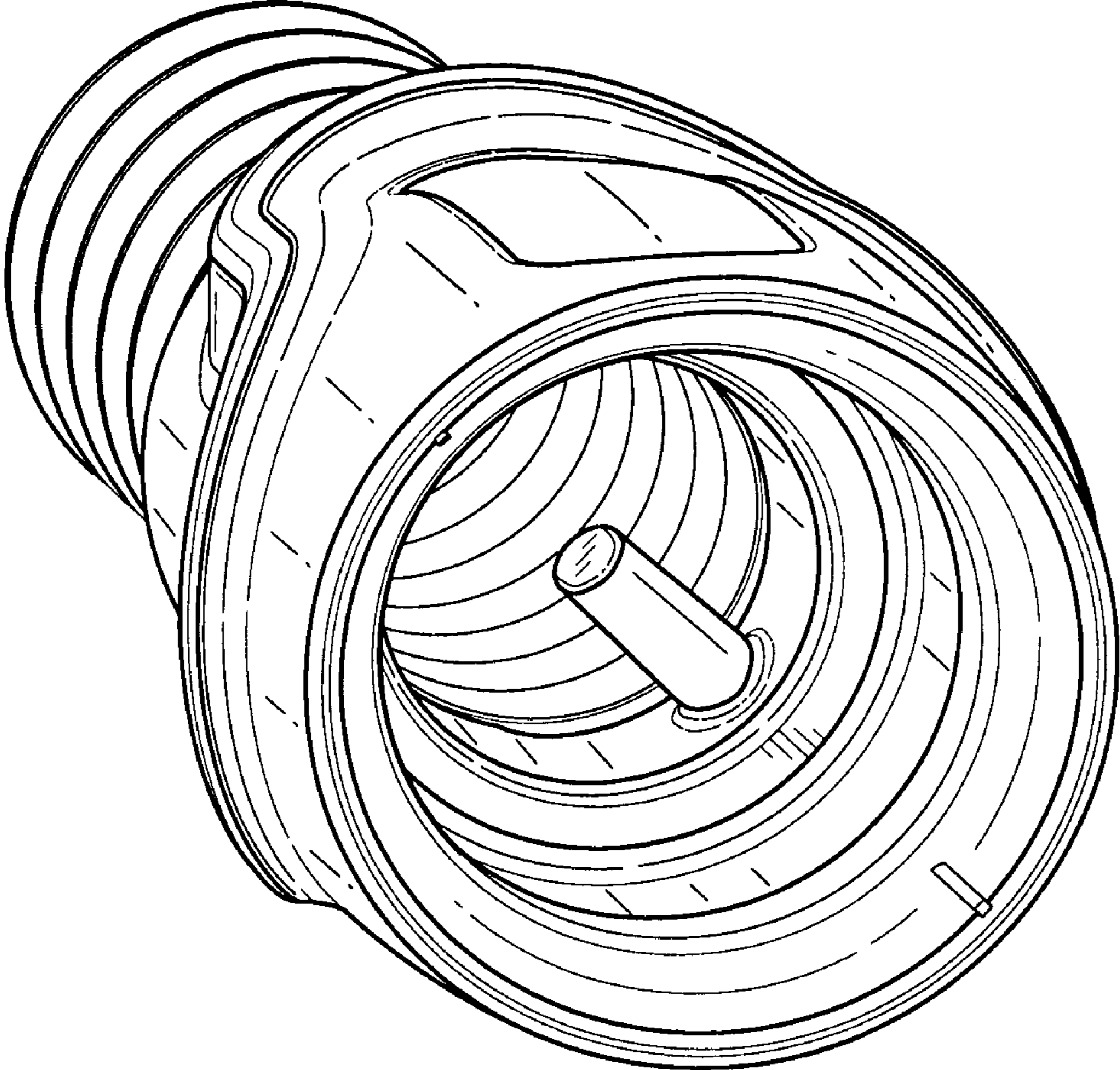


Figure 6

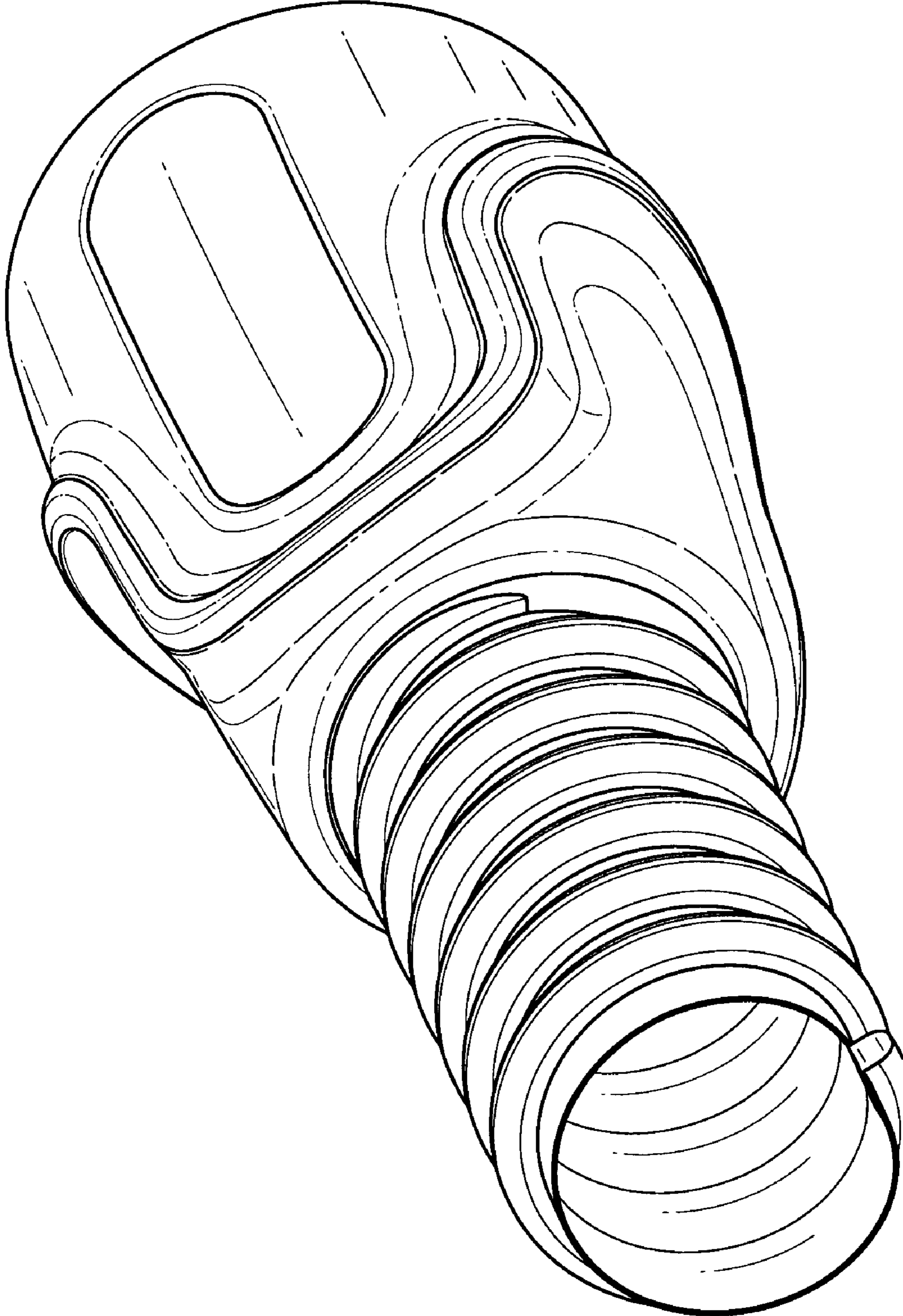


Figure 7