

US00D638536S

(12) **United States Design Patent**
Row et al.

(10) **Patent No.:** **US D638,536 S**

(45) **Date of Patent:** **** May 24, 2011**

(54) **CUFF WITH AIR DELIVERY TUBE**

(75) Inventors: **Nathan John Row**, Lane Cove (AU);
Nicholas Andrew Earl, Kanwal (AU);
Mark Bertinetti, Ermington (AU);
Alexander Virr, Balmain (AU); **Andrew**
Roderick Bath, Quakers Hill (AU);
Hargopal Verma, Parramatta (AU)

(73) Assignee: **ResMed Limited**, Bella Vista (AU)

(**) Term: **14 Years**

(21) Appl. No.: **29/371,132**

(22) Filed: **Oct. 28, 2010**

Related U.S. Application Data

(62) Division of application No. 29/311,222, filed on Jan. 22, 2009, now Pat. No. Des. 628,288.

(51) **LOC (9) Cl.** **24-02**

(52) **U.S. Cl.** **D24/129**

(58) **Field of Classification Search** D24/107,
D24/110, 110.4, 110.5, 110.6, 127, 128, 129,
D24/164; 128/200.24, 201.22, 202.27, 203.27,
128/204.18, 205.25, 206.15, 206.21; 138/121,
138/122; 174/47; 285/260; 604/27

See application file for complete search history.

(56) **References Cited**

U.S. PATENT DOCUMENTS

1,746,701 A * 2/1930 Kimmich 138/121
(Continued)

FOREIGN PATENT DOCUMENTS

AU PCT/AU2009/001232 9/2009

OTHER PUBLICATIONS

Row et al., U.S. Appl. No. 12/461,967, filed Aug. 28, 2009.

(Continued)

Primary Examiner — Elizabeth A Albert

Assistant Examiner — Karen E Eldridge Powers

(74) *Attorney, Agent, or Firm* — Nixon & Vanderhye P.C.

(57) **CLAIM**

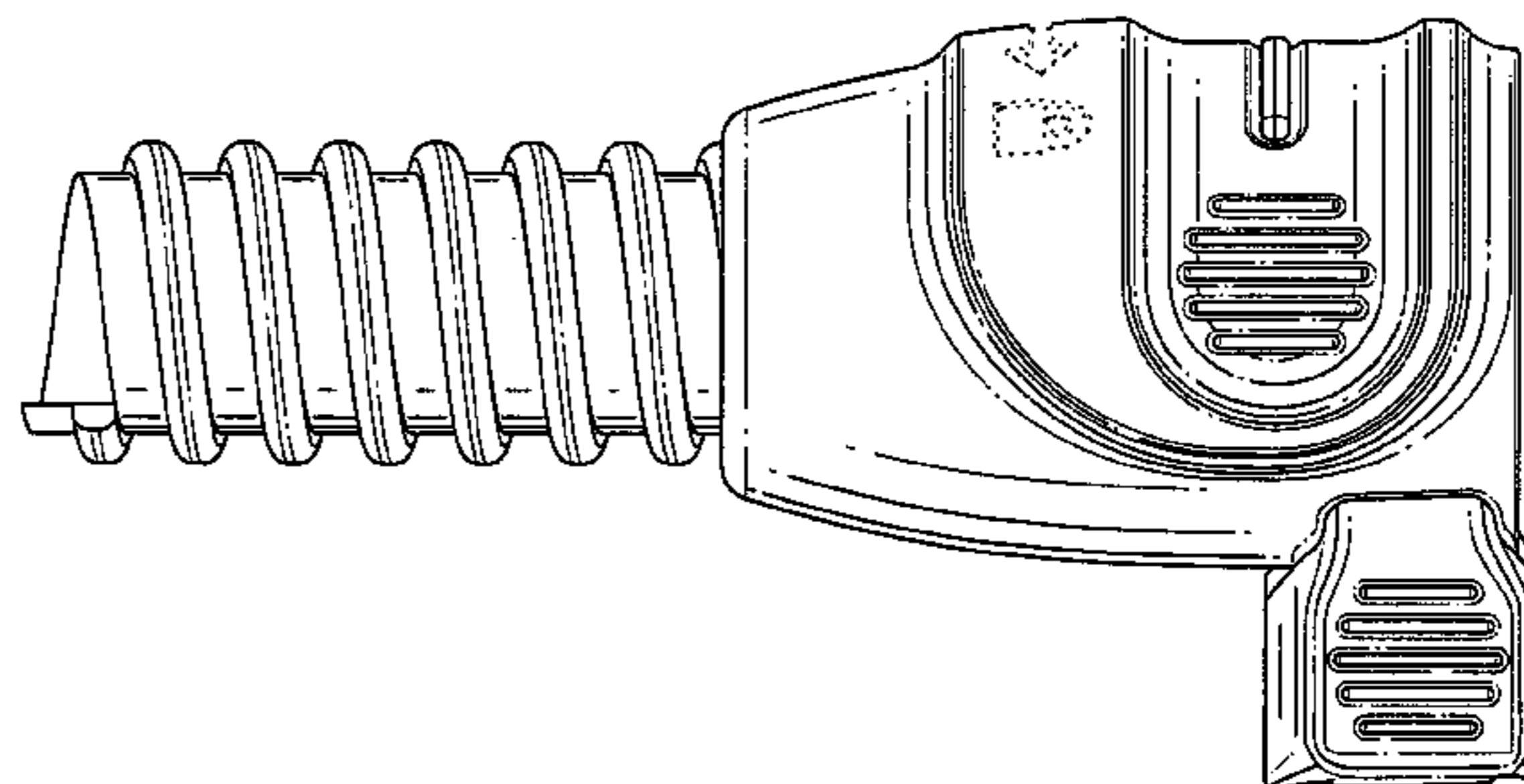
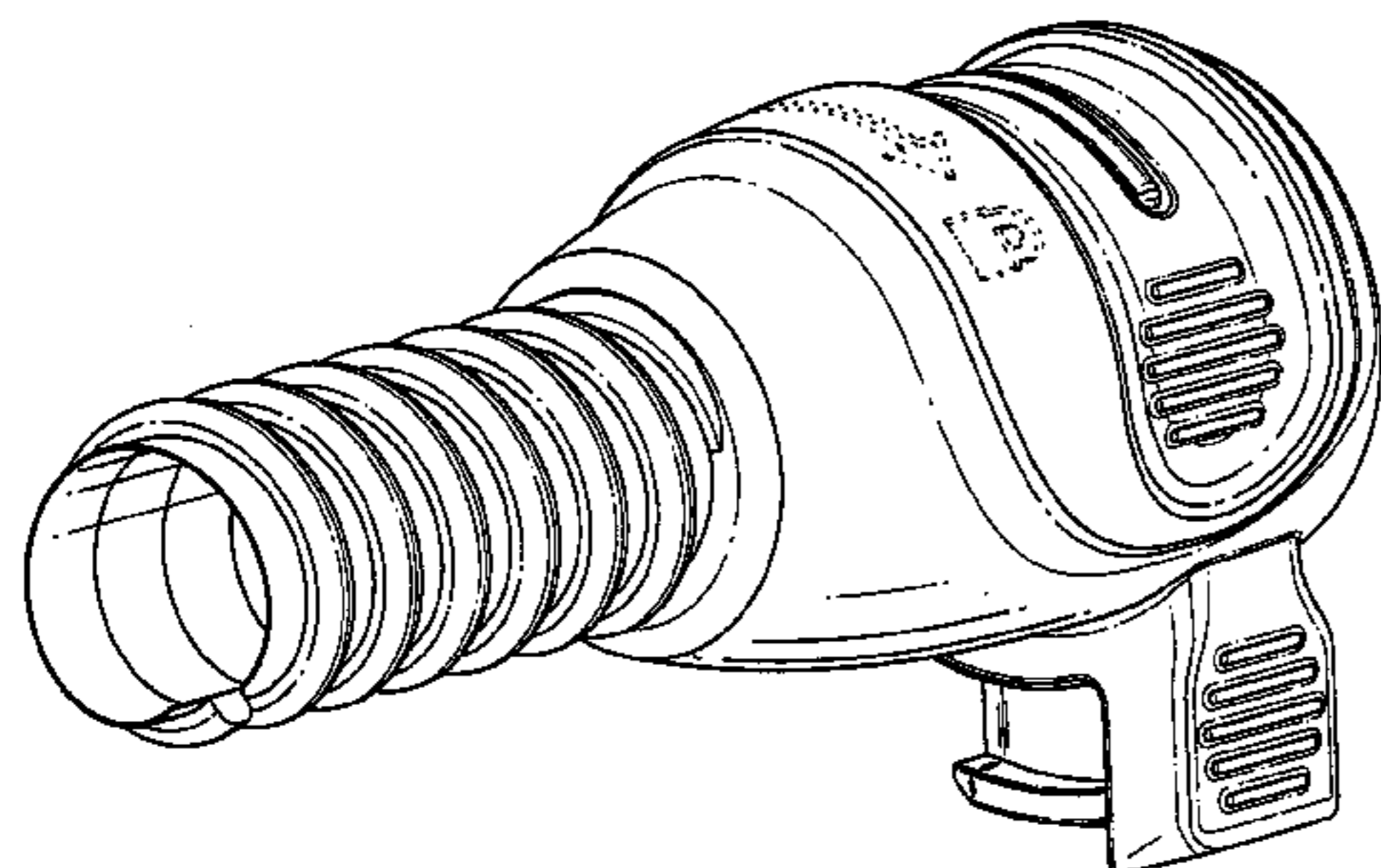
The ornamental design for a cuff with air delivery tube, as shown and described.

DESCRIPTION

FIG. 1 is a front perspective view of a cuff with air delivery tube according to an embodiment of our design;
FIG. 2 is a front view thereof;
FIG. 3 is a rear view thereof;
FIG. 4 is a top view thereof;
FIG. 5 is a bottom view thereof;
FIG. 6 is a left side view thereof;
FIG. 7 is a right side view thereof;
FIG. 8 is a reverse perspective view thereof;
FIG. 9 is a front perspective view of a cuff with air delivery tube according to an embodiment of our design;
FIG. 10 is a front view thereof;
FIG. 11 is a rear view thereof;
FIG. 12 is a top view thereof;
FIG. 13 is a bottom view thereof;
FIG. 14 is a left side view thereof;
FIG. 15 is a right side view thereof;
FIG. 16 is a reverse perspective view thereof;
FIG. 17 is a front perspective view of a cuff with air delivery tube according to an embodiment of our design;
FIG. 18 is a front view thereof;
FIG. 19 is a rear view thereof;
FIG. 20 is a top view thereof;
FIG. 21 is a bottom view thereof;
FIG. 22 is a left side view thereof;
FIG. 23 is a right side view thereof;
FIG. 24 is a reverse perspective view thereof;
FIG. 25 is a front perspective view of a cuff with air delivery tube according to an embodiment of our design;
FIG. 26 is a front view thereof;
FIG. 27 is a rear view thereof;
FIG. 28 is a top view thereof;
FIG. 29 is a bottom view thereof;
FIG. 30 is a reverse perspective view thereof;
FIG. 31 is a front perspective view of a cuff with air delivery tube according to an embodiment of our design;
FIG. 32 is a top view thereof;
FIG. 33 is a bottom view thereof;
FIG. 34 is a front view thereof;
FIG. 35 is a rear view thereof;
FIG. 36 is a right side view thereof;
FIG. 37 is a left side view thereof; and,
FIG. 38 is a reverse perspective view thereof.

The broken lines shown in FIGS. 1-6 and 8 represent environmental structure and do not form a part of the claimed design.

1 Claim, 4 Drawing Sheets



U.S. PATENT DOCUMENTS

2,045,540	A	6/1936	Debenedetti	
2,073,335	A	3/1937	Connell	
2,516,864	A	8/1950	Gilmore	
2,954,802	A	10/1960	Duff	
3,163,707	A	12/1964	Darling	
3,794,080	A *	2/1974	Huston et al.	138/121
D302,040	S	7/1989	Lambert	
5,007,839	A *	4/1991	Holden et al.	439/191
5,125,909	A *	6/1992	Heimberger	604/264
5,720,504	A *	2/1998	Stedman et al.	285/226
D410,541	S	6/1999	Moulin	
5,944,059	A *	8/1999	Masui	138/121
6,065,472	A	5/2000	Anderson et al.	
D439,326	S	3/2001	Hecker et al.	
6,367,510	B1 *	4/2002	Carlson	138/121
6,378,166	B1 *	4/2002	Bruno et al.	15/414
6,722,903	B2 *	4/2004	Mulvenna et al.	439/191
6,722,904	B2 *	4/2004	Linhart	439/191
6,953,354	B2 *	10/2005	Edirisuriya et al.	439/191
6,983,757	B1 *	1/2006	Becker et al.	137/14
7,077,166	B2 *	7/2006	Heo et al.	138/118
7,226,302	B2 *	6/2007	Walter et al.	439/191
7,597,100	B2	10/2009	Ging et al.	
7,621,766	B2 *	11/2009	Schutz	439/191
D628,288	S *	11/2010	Row et al.	D24/129
D629,891	S *	12/2010	Virr et al.	D24/129
D629,892	S *	12/2010	Hill et al.	D24/129

2003/0154978	A1	8/2003	Gradon et al.	
2006/0112962	A1	6/2006	Tebbutt et al.	
2006/0283461	A1	12/2006	Lubke et al.	
2007/0000492	A1	1/2007	Hansel et al.	
2007/0095350	A1	5/2007	Darkin et al.	
2007/0218734	A1 *	9/2007	Walter et al.	439/191
2007/0277828	A1	12/2007	Ho et al.	
2008/0077176	A1	3/2008	Hanlon et al.	
2008/0105257	A1	5/2008	Klasek et al.	
2008/0207028	A1 *	8/2008	Schutz	439/191
2009/0133696	A1	5/2009	Remmers et al.	
2009/0194112	A1	8/2009	Gunaratnam et al.	

OTHER PUBLICATIONS

Row et al., U.S. Appl. No. 61/202,907, filed Apr. 17, 2009.
 Virr et al., U.S. Appl. No. 61/097,765, filed Sep. 17, 2008.
 Virr et al., U.S. Appl. No. 61/226,134, filed Jul. 16, 2009.
 CPAP Tubing, 6 ft (CPAP-6G), as shown on www.myrespiratorysupply.com, viewed Apr. 13, 2010 and review of same dated May 10, 2007 (3 pages).
 ResMed's S9 Series Humidaira H5i Heated Humifier with Climate Control, as shown on www.cpap.com, viewed Apr. 13, 2010 (13 pages), See p. 10-11 for tubing connectors.
 ResMed's S9 ClimateLine heated tubing, as shown on www.s9morecomfort.com, viewed Apr. 13, 2010 (4 pages).

* cited by examiner

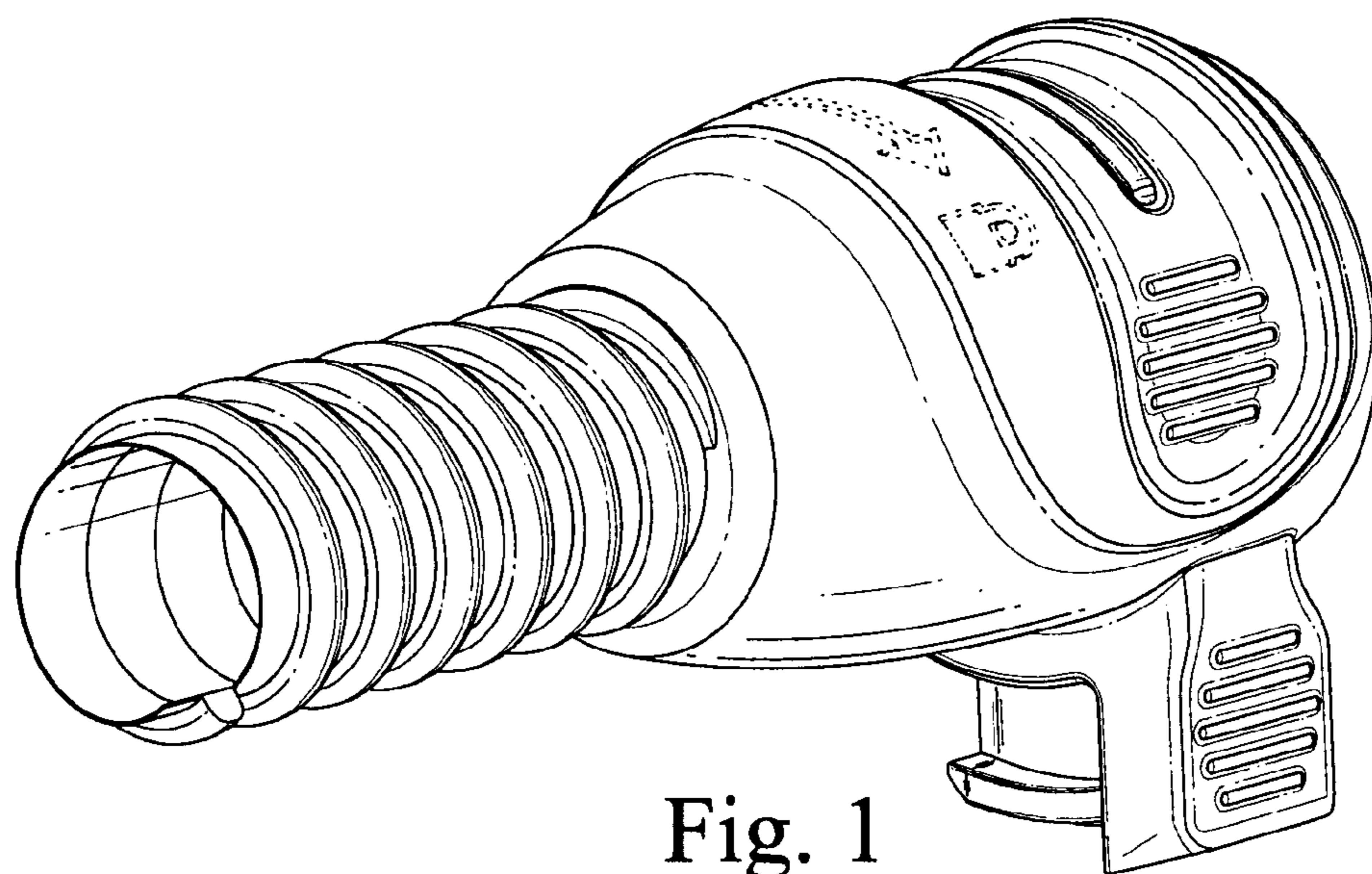


Fig. 1

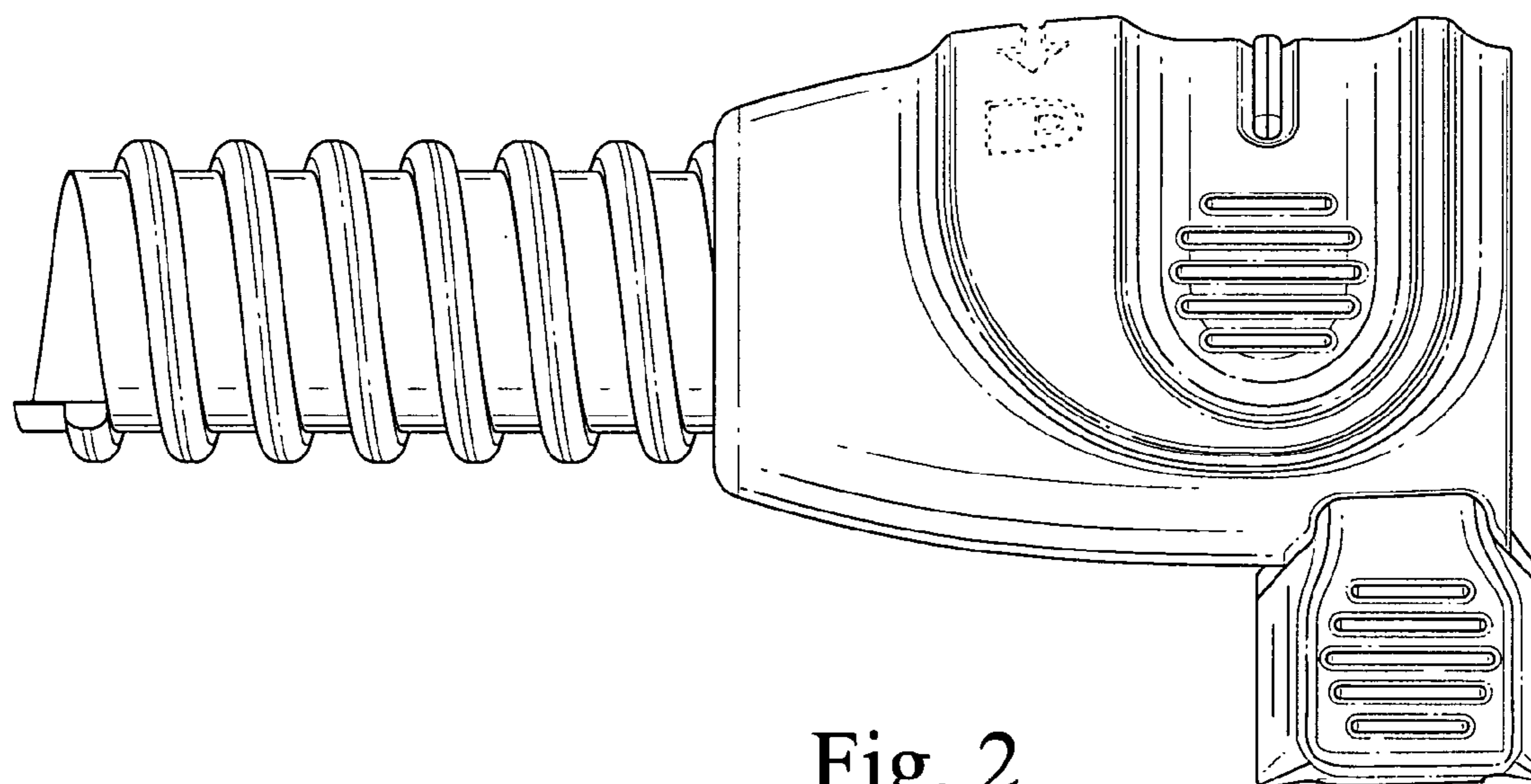
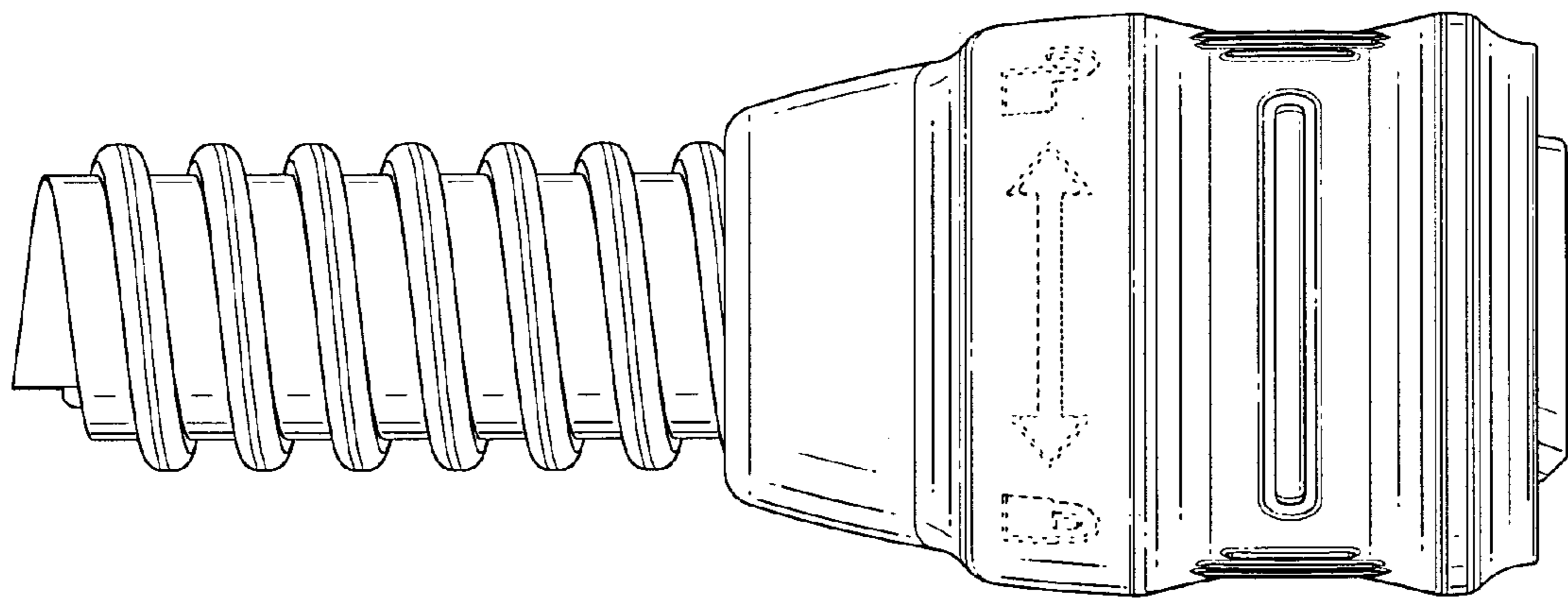
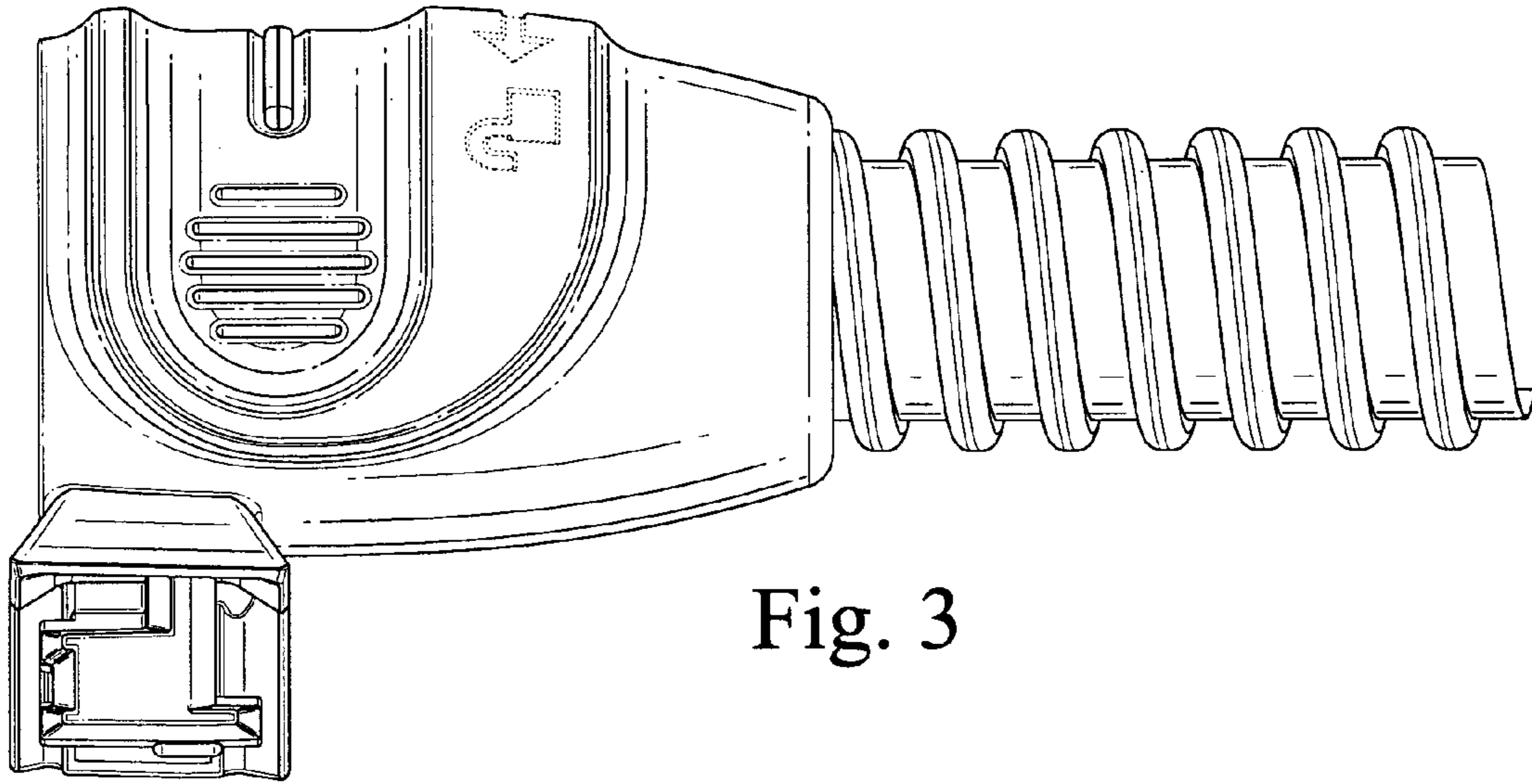


Fig. 2



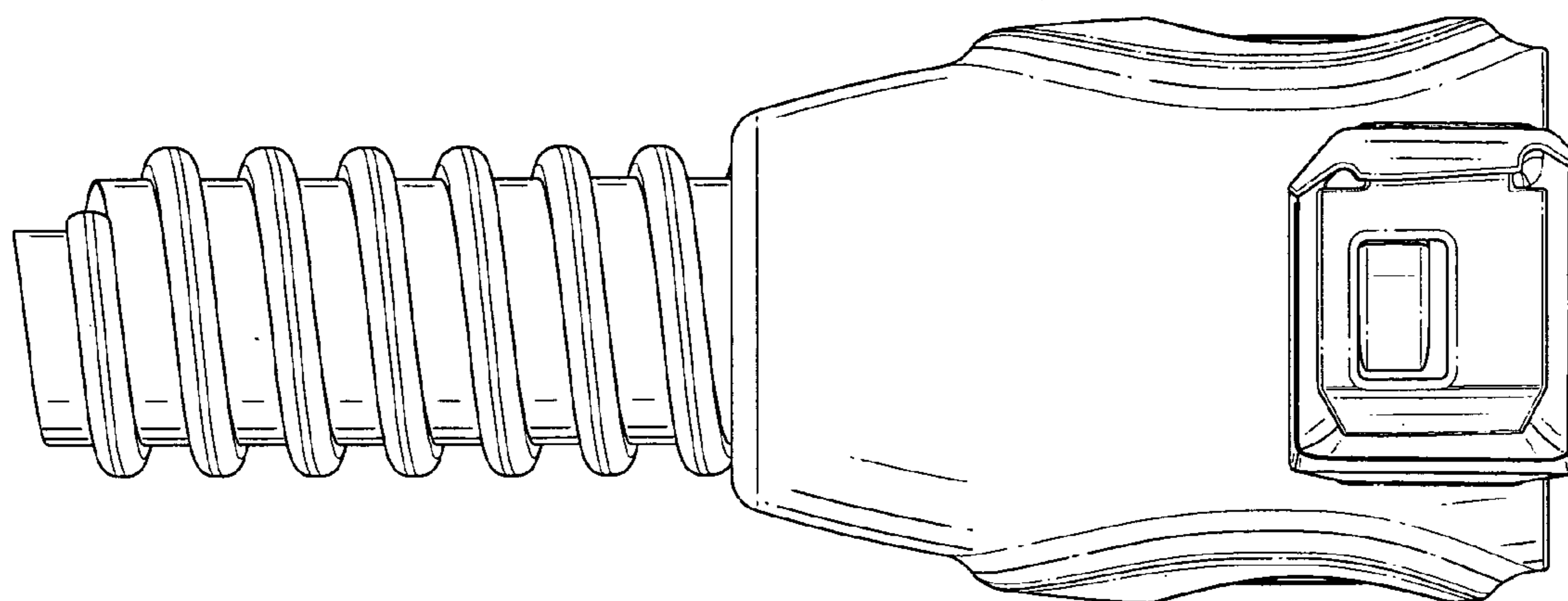


Fig. 5

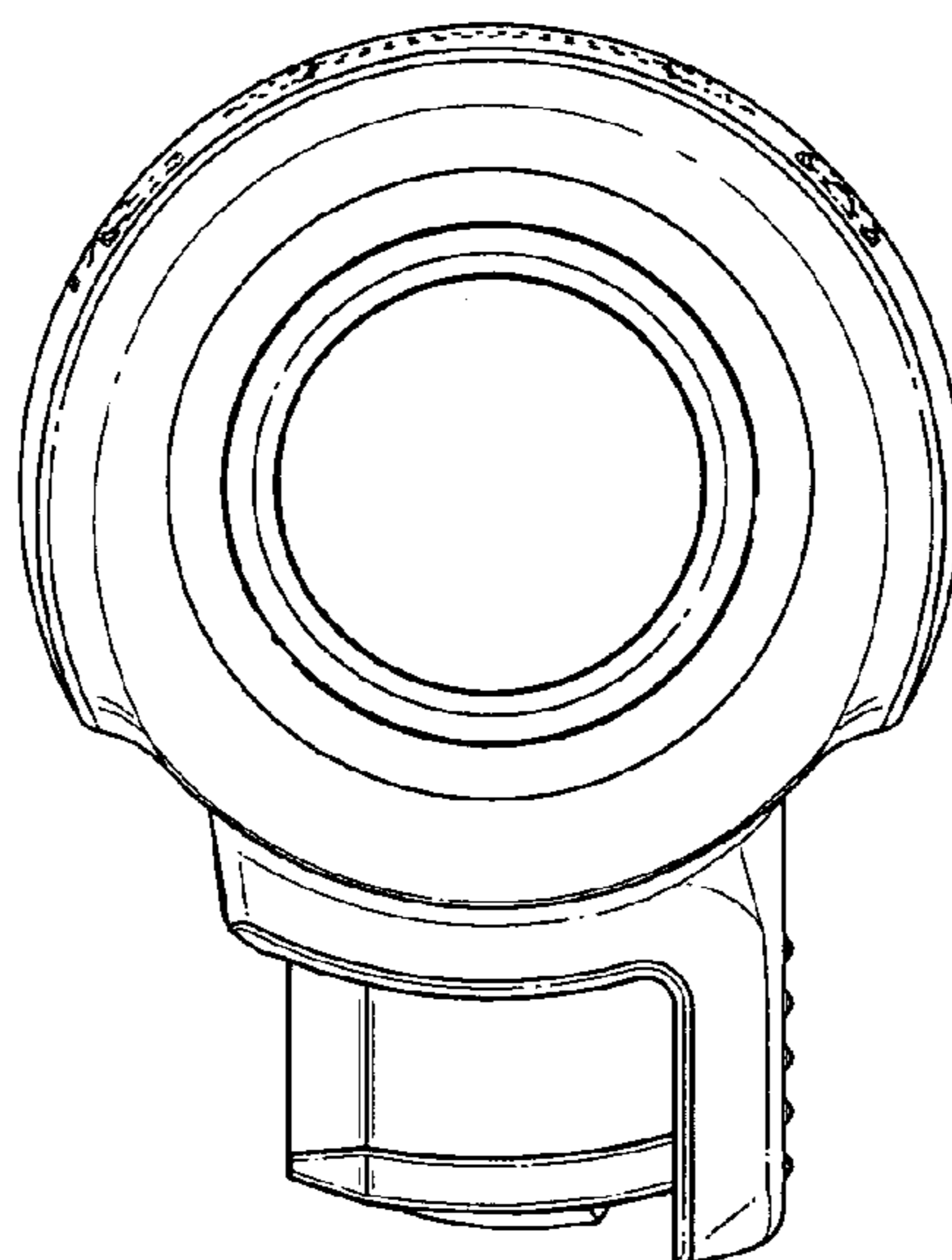


Fig. 6

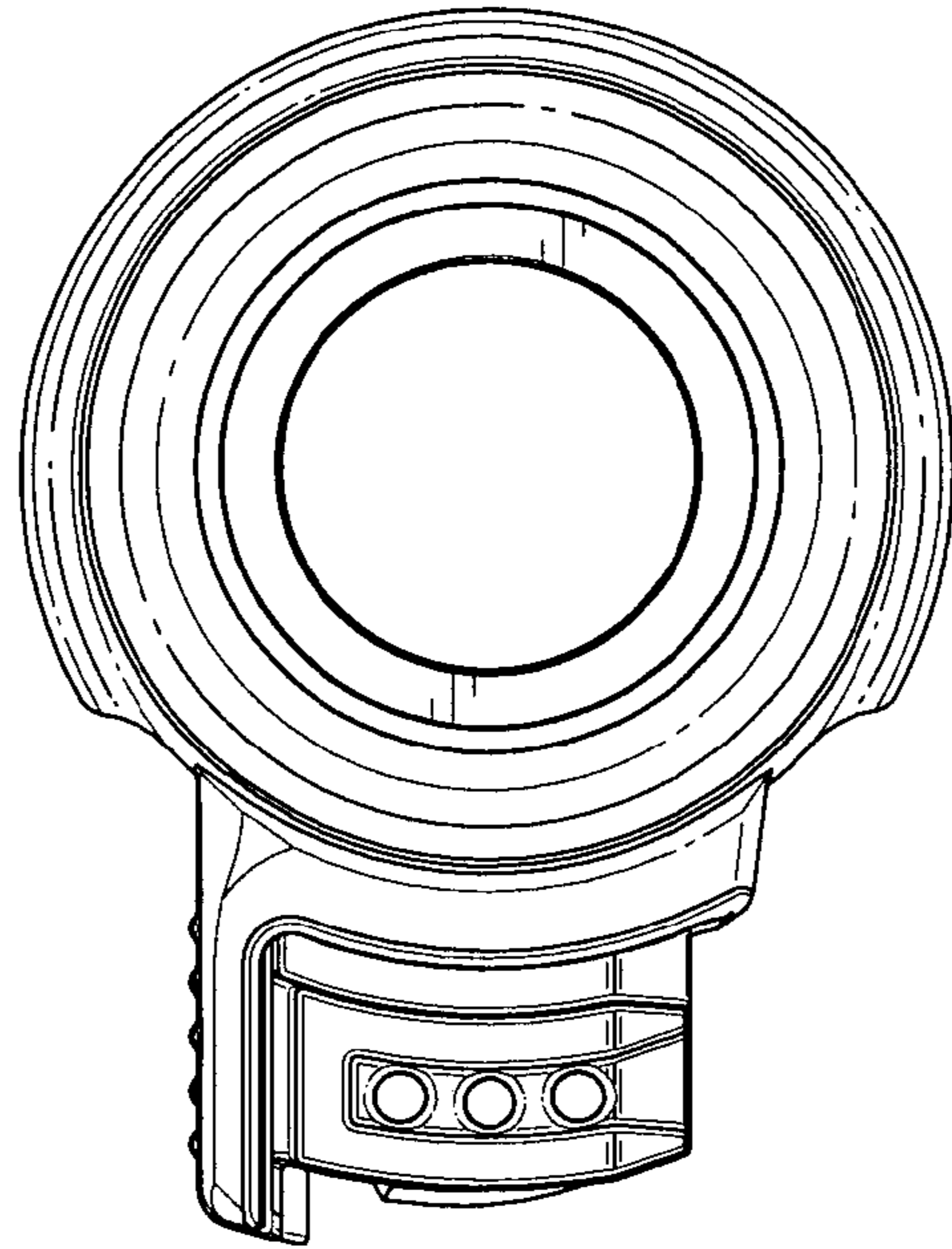


Fig. 7

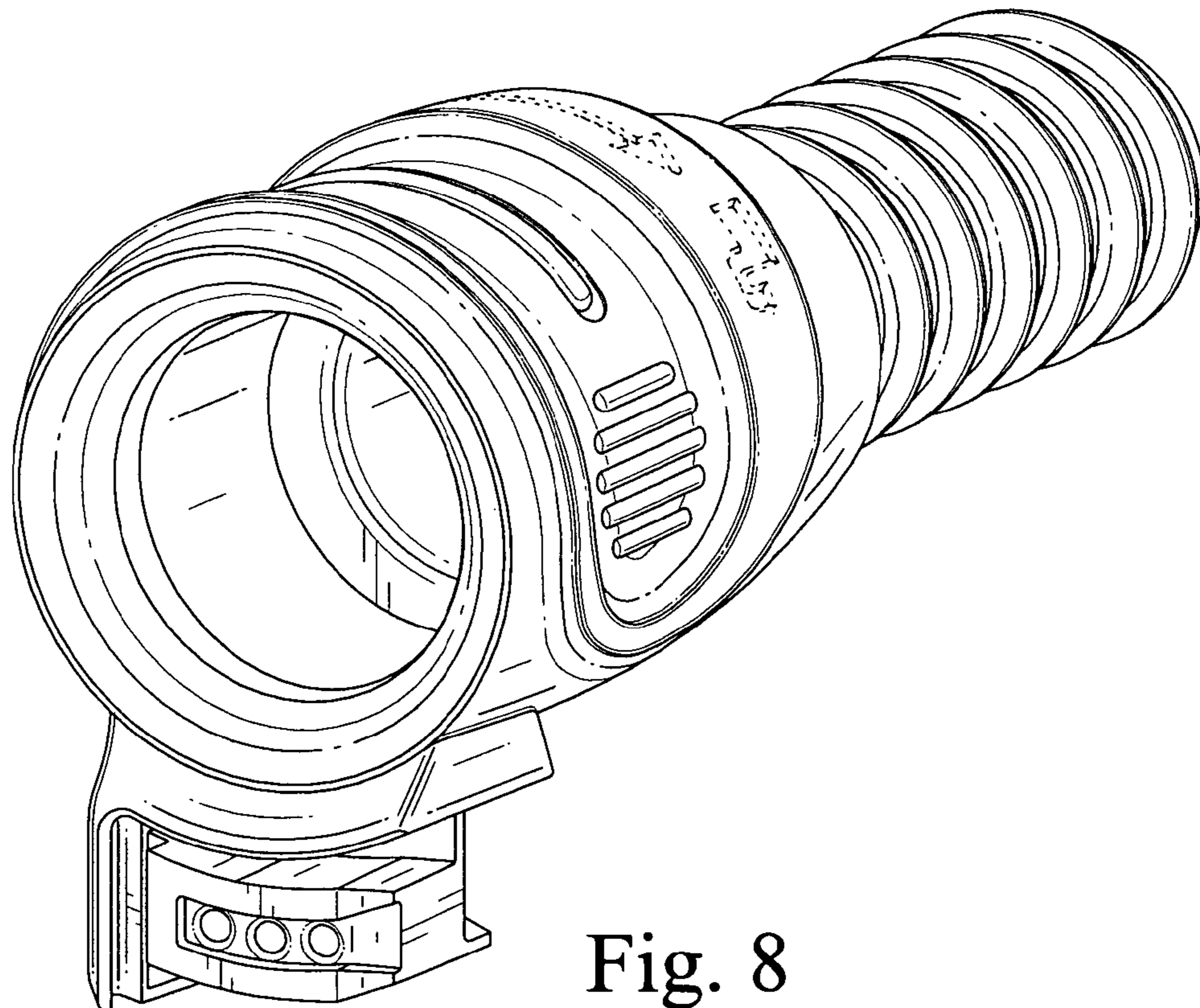


Fig. 8

UNITED STATES PATENT AND TRADEMARK OFFICE
CERTIFICATE OF CORRECTION

PATENT NO. : D638,536 S
APPLICATION NO. : 29/371132
DATED : May 24, 2011
INVENTOR(S) : Nathan John Row et al.

Page 1 of 1

It is certified that error appears in the above-identified patent and that said Letters Patent is hereby corrected as shown below:

TITLE PAGE: ITEM 75 should read

Nathan John Row, Lane Cove (AUS), Nicholas Andrew Earl, Kanwal (AUS), Mark Bertinetti,
Ermington (AUS), Alexander Virr, Balmain (AUS), Hargopal Verma, Parramatta (AUS)

Signed and Sealed this
Twenty-fourth Day of March, 2015



Michelle K. Lee
Director of the United States Patent and Trademark Office