



US00D638532S

(12) **United States Design Patent**
Havive et al.

(10) **Patent No.:** **US D638,532 S**

(45) **Date of Patent:** **** May 24, 2011**

(54) **PUMPKIN POTPOURRI HOLDER**
(75) Inventors: **Rony Havive**, Oak Park, CA (US); **Amy Wagner**, Camarillo, CA (US)

(73) Assignee: **MGR Design International**, Oak Park, CA (US)

(**) Term: **14 Years**

(21) Appl. No.: **29/380,227**

(22) Filed: **Dec. 1, 2010**

(51) **LOC (9) Cl.** **28-99**

(52) **U.S. Cl.** **D23/367**

(58) **Field of Classification Search** D23/355-369;
D28/5, 6; 261/DIG. 17, DIG. 42, DIG. 65,
261/DIG. 88, DIG. 89; 392/386, 390-395;
239/34, 35, 44-47, 50, 53, 56, 60, 145, 326
See application file for complete search history.

(56) **References Cited**

U.S. PATENT DOCUMENTS

D71,830 S * 1/1927 Fields D28/5
D325,076 S * 3/1992 Handler D23/366
D368,426 S * 4/1996 Kaplan D9/681

D384,142 S * 9/1997 Racinelli D23/366
D384,143 S * 9/1997 Racinelli D23/366
D454,190 S * 3/2002 Trocola D23/366
D597,645 S * 8/2009 Thompson D23/366

* cited by examiner

Primary Examiner — Sandra Snapp

(74) *Attorney, Agent, or Firm* — Cisló & Thomas, LLP

(57) **CLAIM**

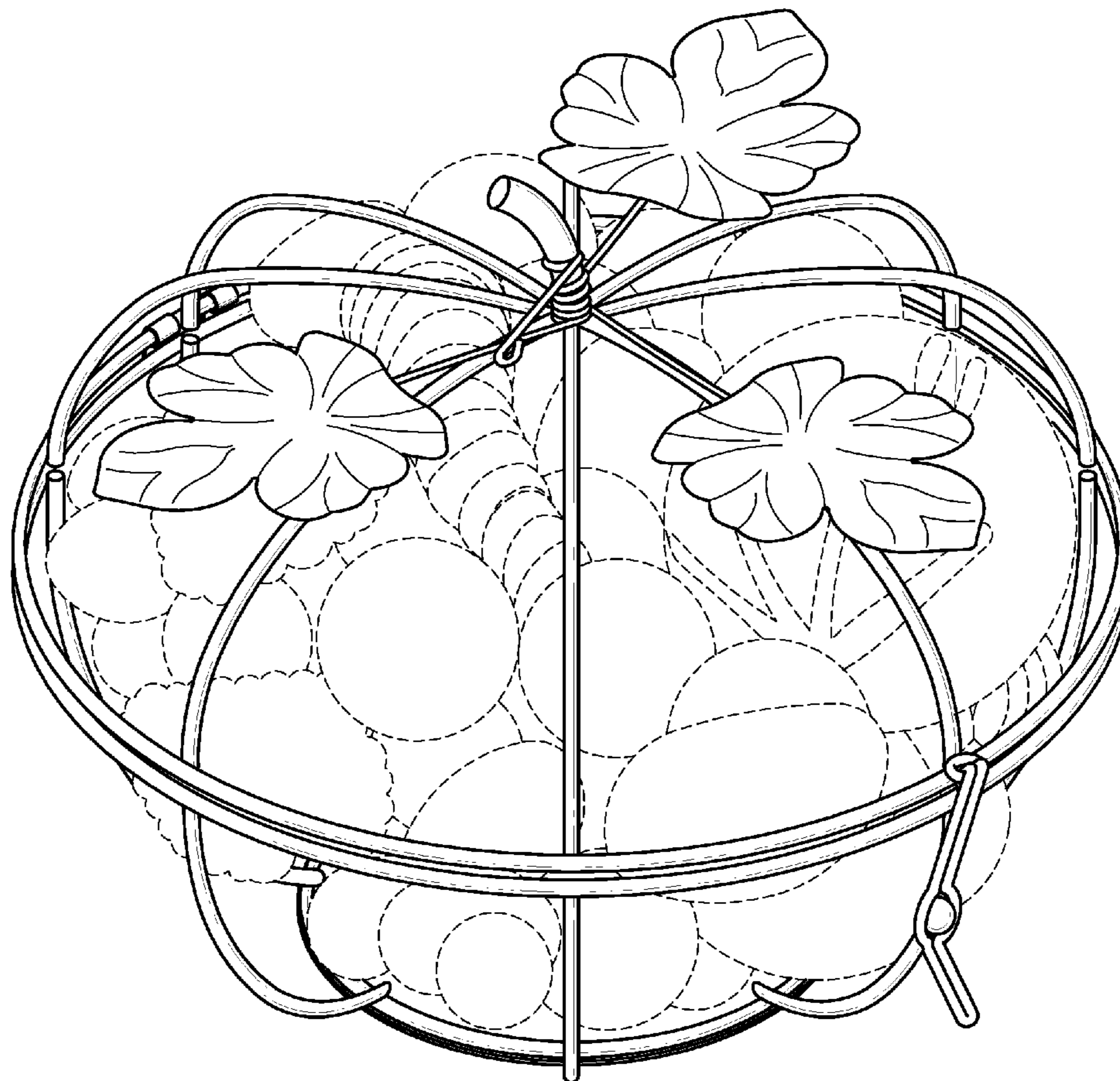
The ornamental design for a pumpkin potpourri holder, as shown and described.

DESCRIPTION

FIG. 1 is a perspective view of our pumpkin potpourri holder; FIG. 2 is a front view thereof; FIG. 3 is a side view thereof; FIG. 4 is another side view thereof; FIG. 5 is a rear view thereof; FIG. 6 is a top view thereof; and, FIG. 7 is a bottom view thereof.

The broken line portions of the disclosure are included for the purpose of illustrating environment and form no part of the claimed design.

1 Claim, 7 Drawing Sheets



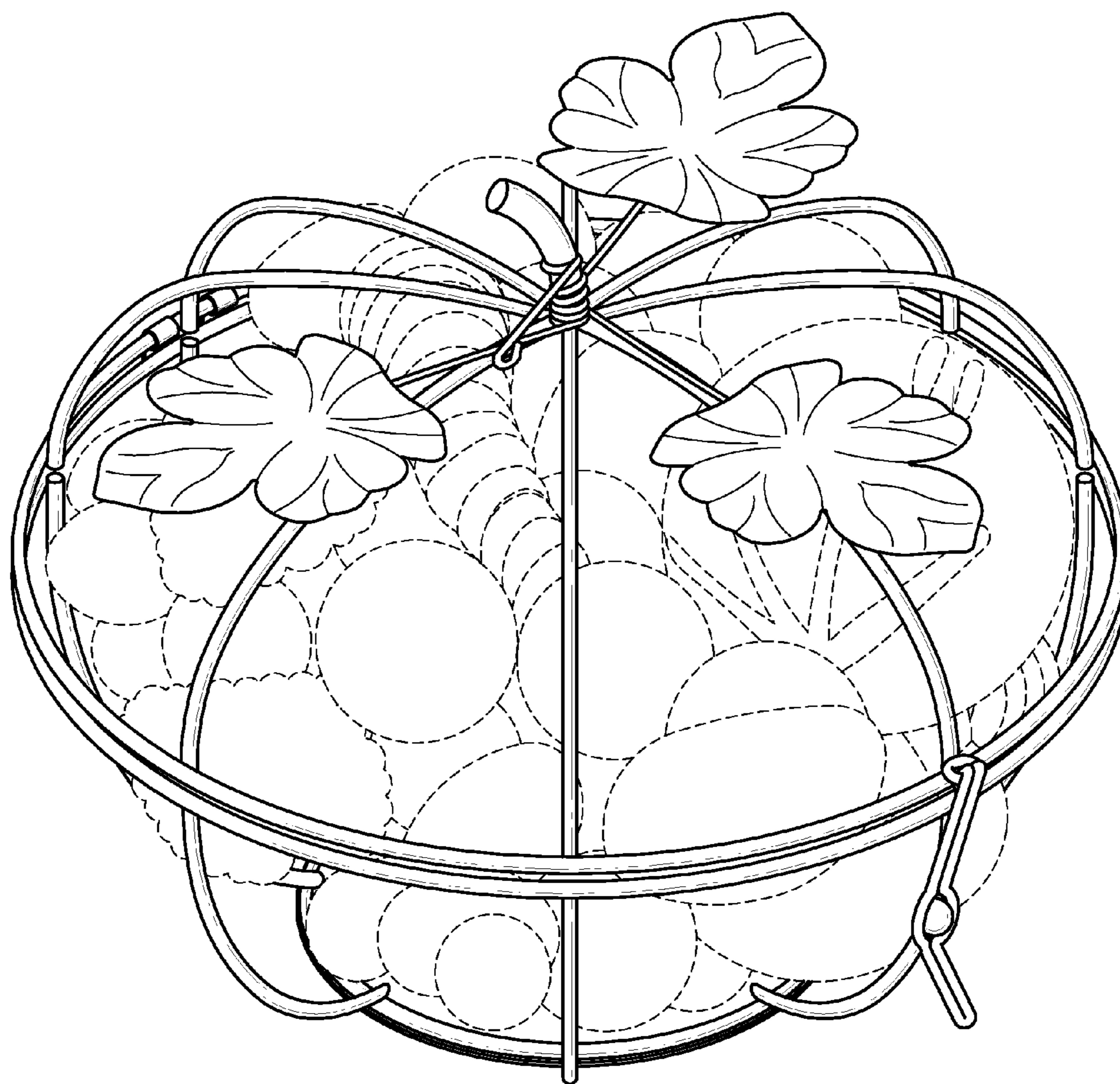


FIG. 1

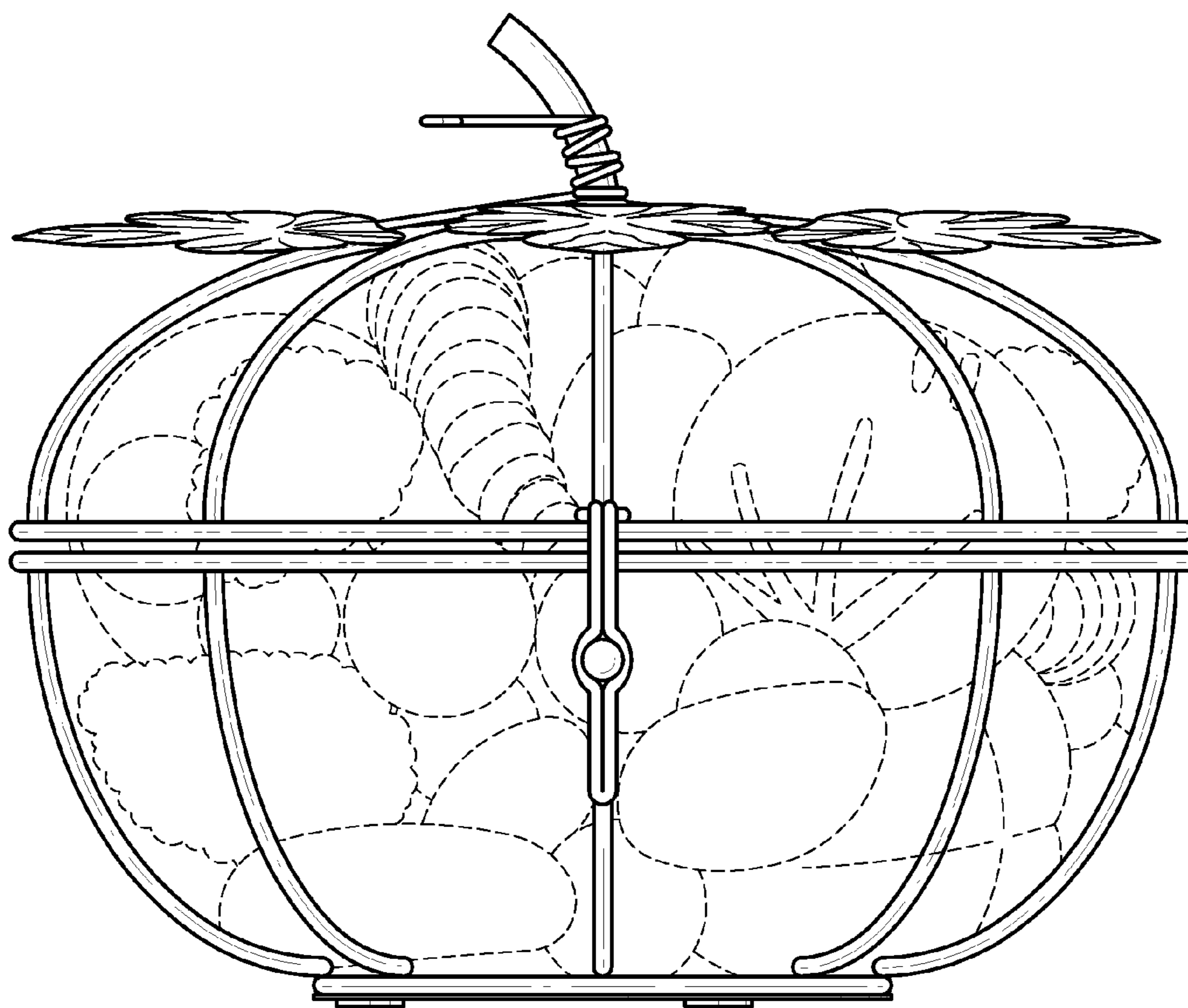


FIG. 2

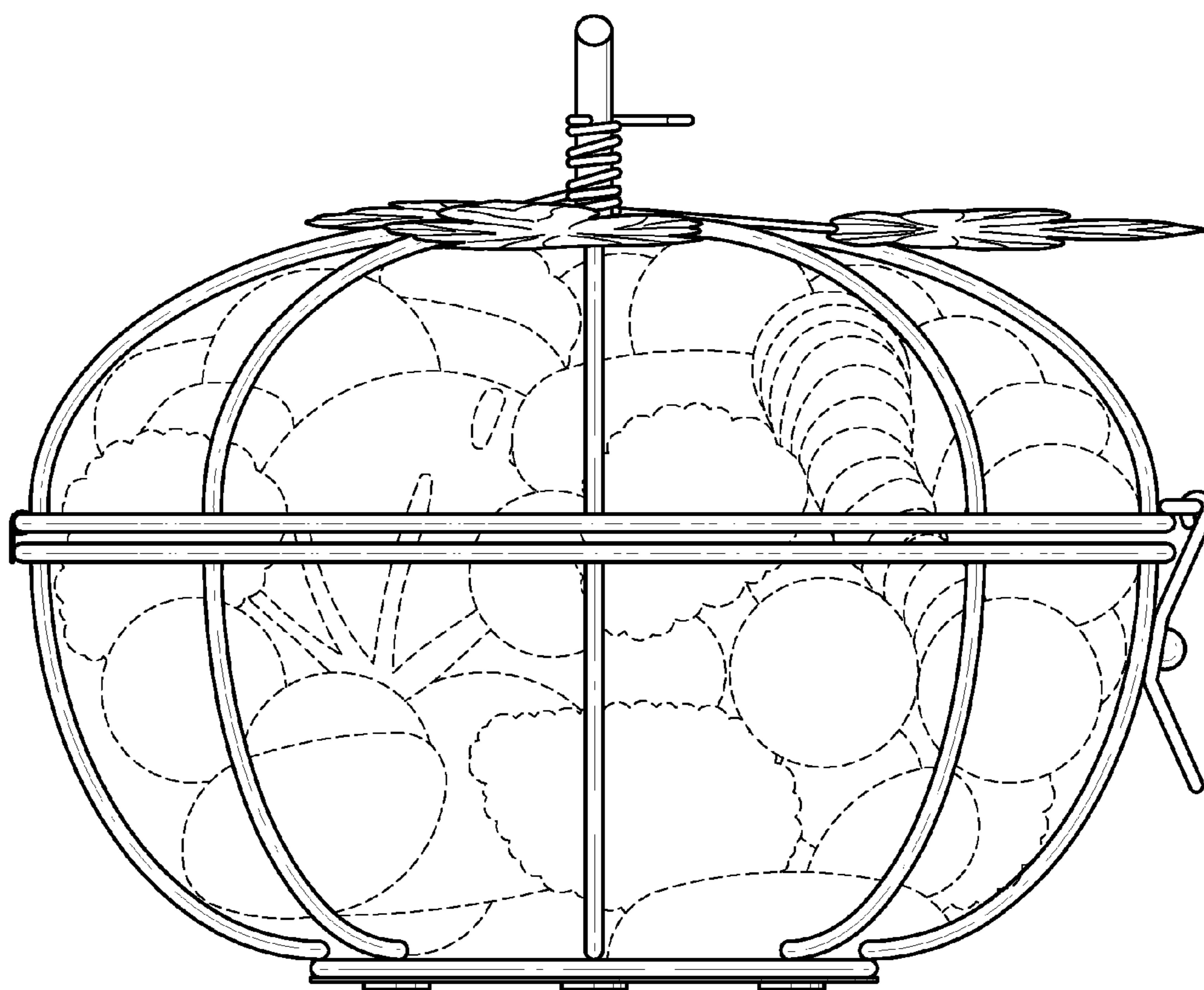


FIG. 3

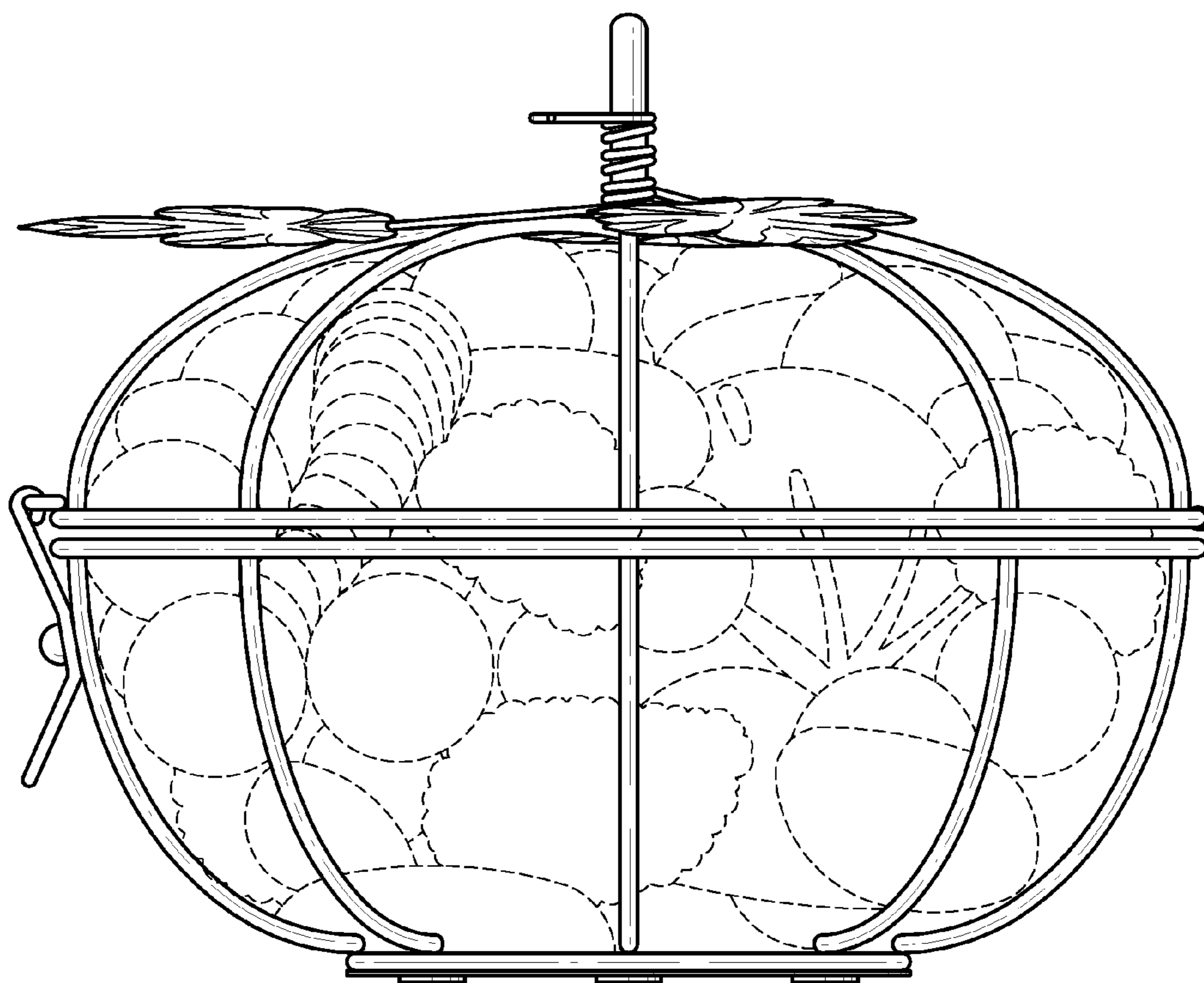


FIG. 4

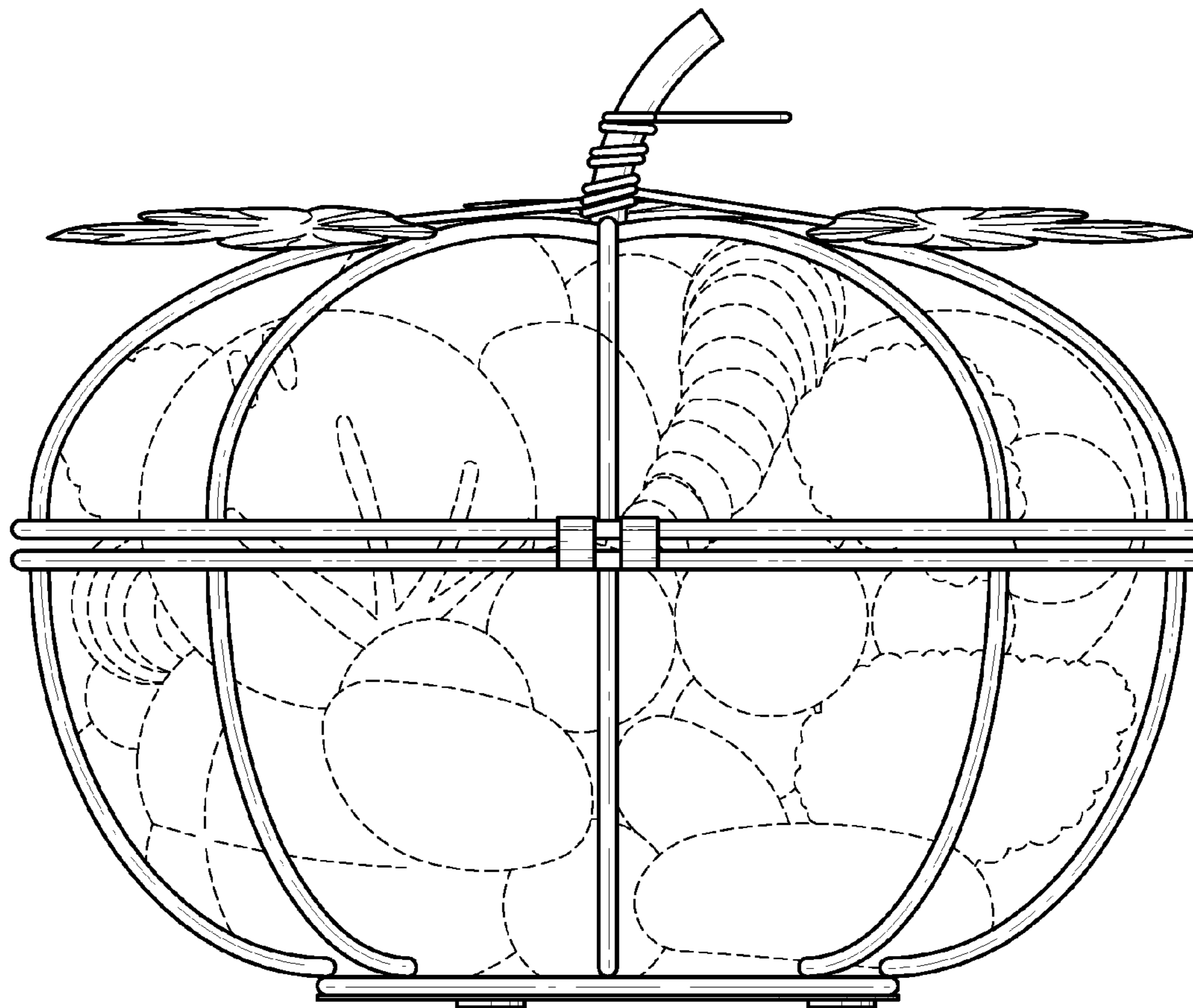


FIG. 5

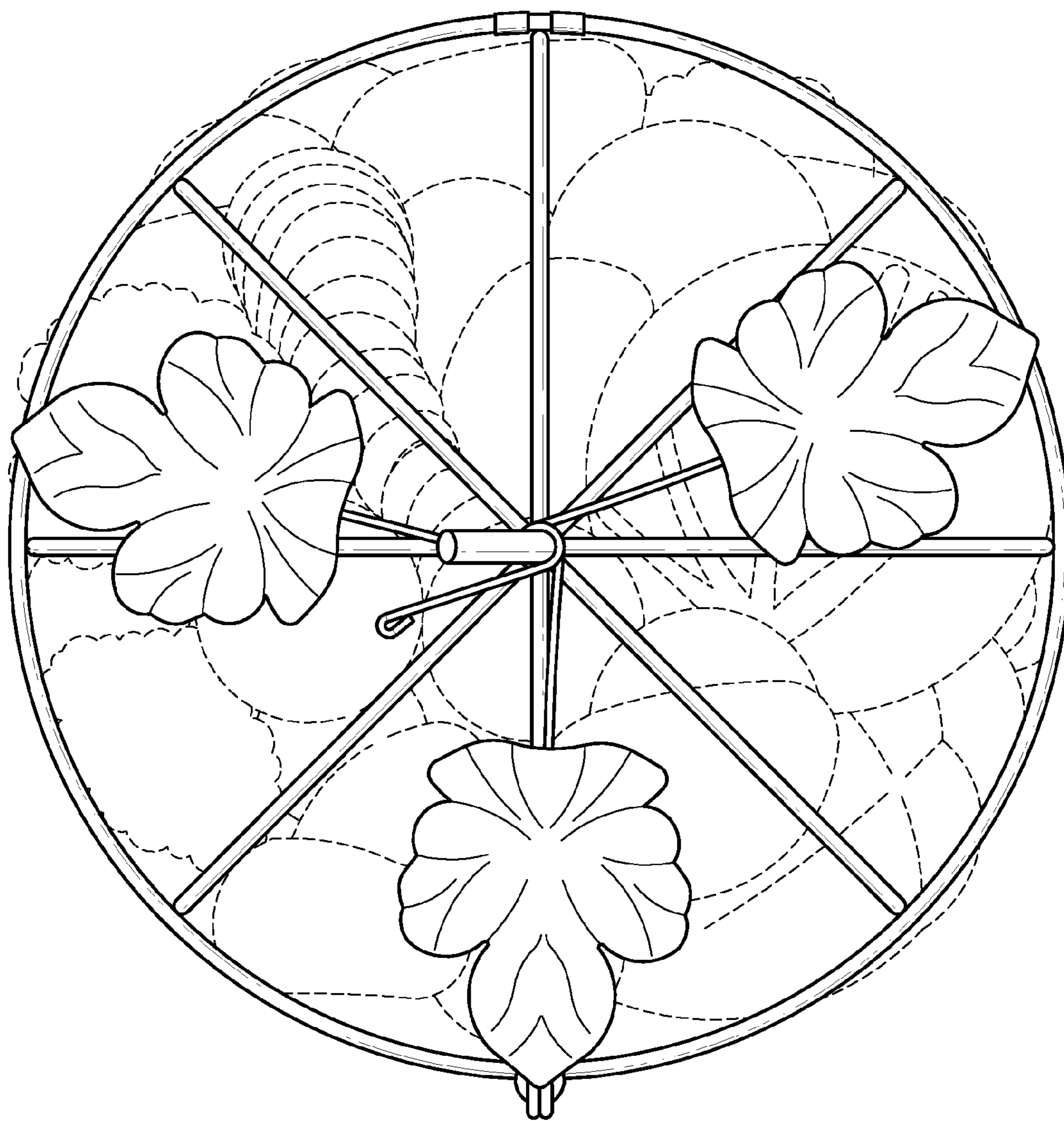


FIG. 6

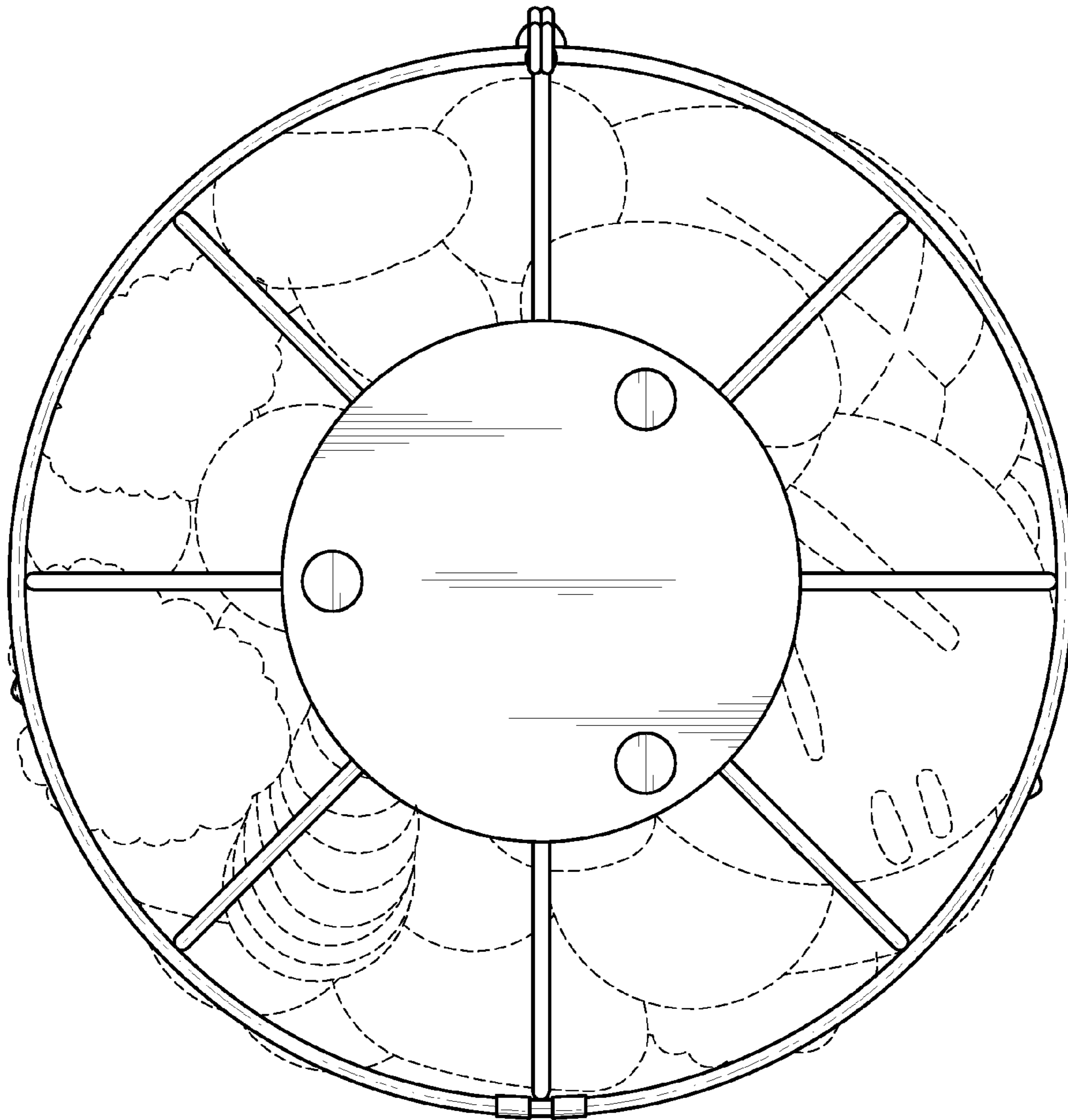


FIG. 7