



US00D638527S

(12) **United States Design Patent**  
**Stringham**

(10) **Patent No.:** **US D638,527 S**

(45) **Date of Patent:** **\*\* May 24, 2011**

(54) **TOLIET SEAT URINATION GUARD**

7,373,673 B1 \* 5/2008 Holland ..... 4/661  
\* cited by examiner

(76) Inventor: **Matthew B. Stringham**, Des Moines, IA  
(US)

*Primary Examiner* — Robert Delehanty

(\*\*) Term: **14 Years**

(74) *Attorney, Agent, or Firm* — Montgomery Patent and Design; Robert C. Montgomery; Joseph T. Yaksich

(21) Appl. No.: **29/375,367**

(57) **CLAIM**

(22) Filed: **Sep. 21, 2010**

The ornamental design for a toilet seat urination guard, as shown and described.

(51) **LOC (9) Cl.** ..... **23-02**

(52) **U.S. Cl.** ..... **D23/310**

(58) **Field of Classification Search** ..... D23/303,  
D23/310; 4/DIG. 5, 22.1, 261  
See application file for complete search history.

**DESCRIPTION**

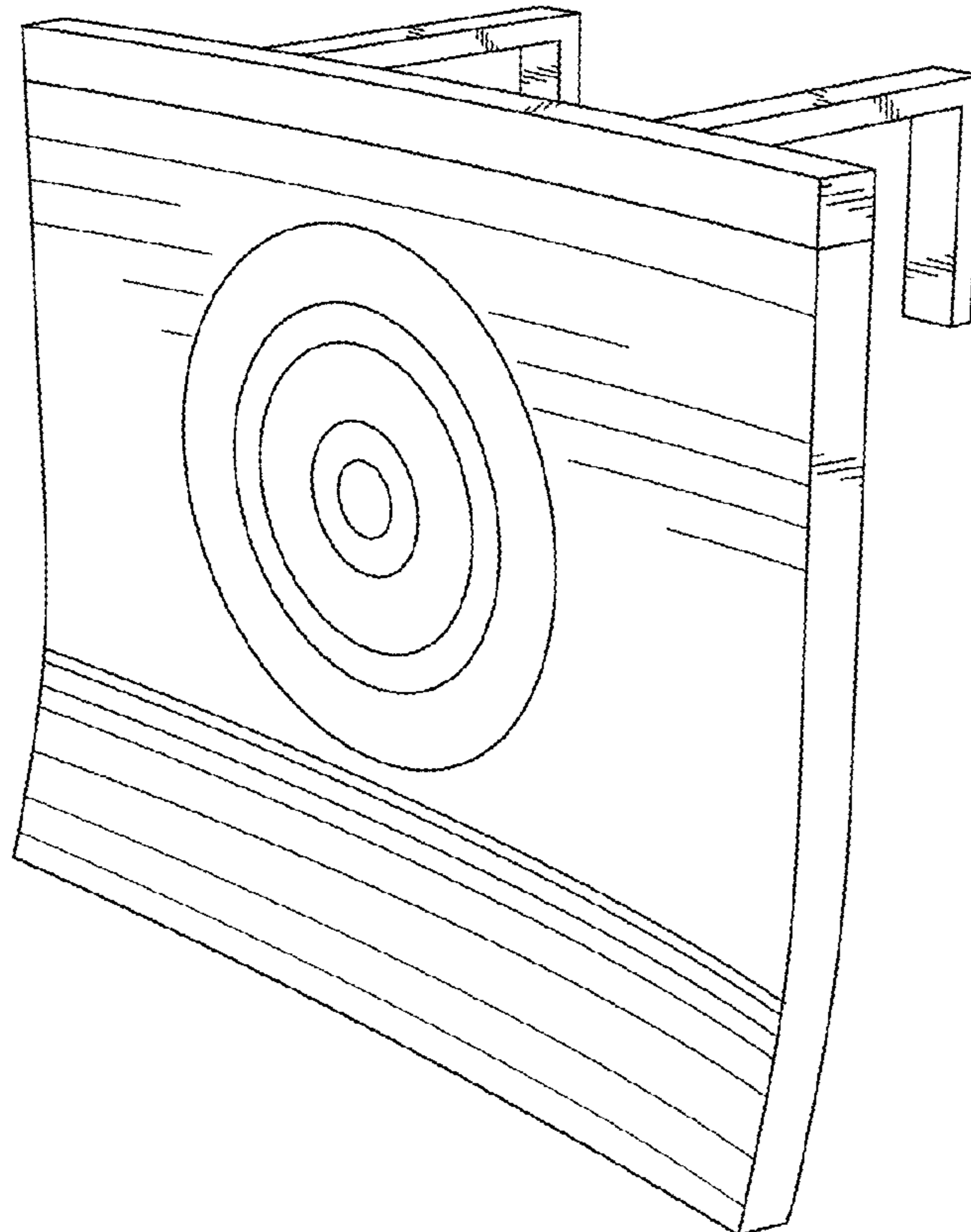
(56) **References Cited**

U.S. PATENT DOCUMENTS

2,407,005	A	9/1946	Haley	
4,198,716	A	4/1980	Hollyday, III	
4,716,602	A	1/1988	Brickhouse	
4,910,815	A	3/1990	Kelley	
D382,336	S *	8/1997	Trozzi	D23/309
5,983,410	A *	11/1999	Webster	4/DIG. 5
5,987,657	A	11/1999	Byers	
6,289,527	B1	9/2001	Truettner	
6,385,785	B1 *	5/2002	Linden	4/661
D458,669	S	6/2002	Sanders	
6,408,447	B1	6/2002	Burbank et al.	

FIG. 1 is perspective view of a toilet seat urination guard depicted in an in use state, showing my new design;  
FIG. 2 is a front perspective view of the toilet seat urination guard;  
FIG. 3 is a front view thereof;  
FIG. 4 is a rear view thereof;  
FIG. 5 is a right side view thereof with a left side view being a mirror image;  
FIG. 6 is a top view thereof; and,  
FIG. 7 is a bottom view thereof.  
The broken lines depicting a toilet are for the purpose of illustrating the invention and form. no part of the claimed design.

**1 Claim, 7 Drawing Sheets**



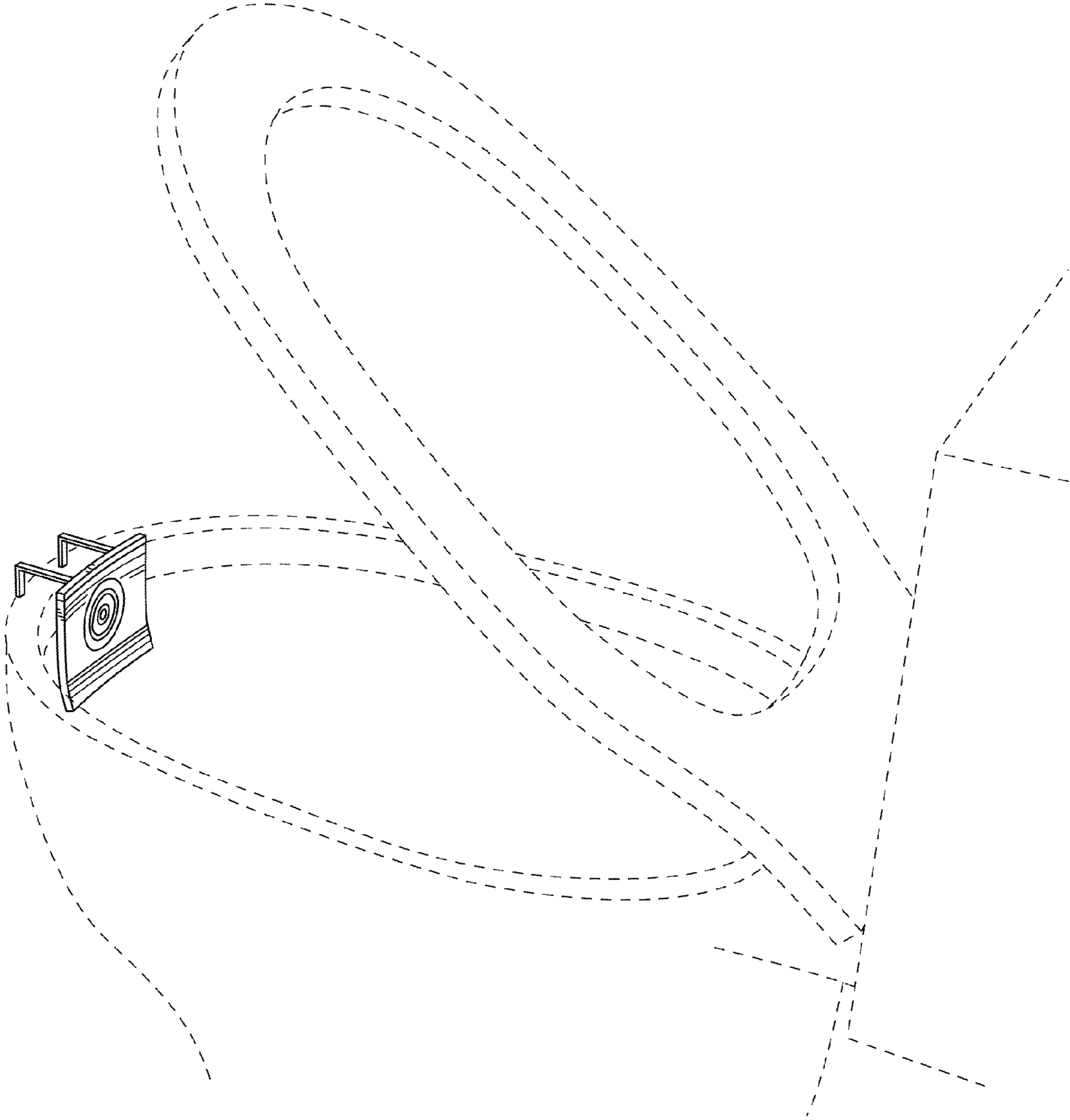


Fig. 1

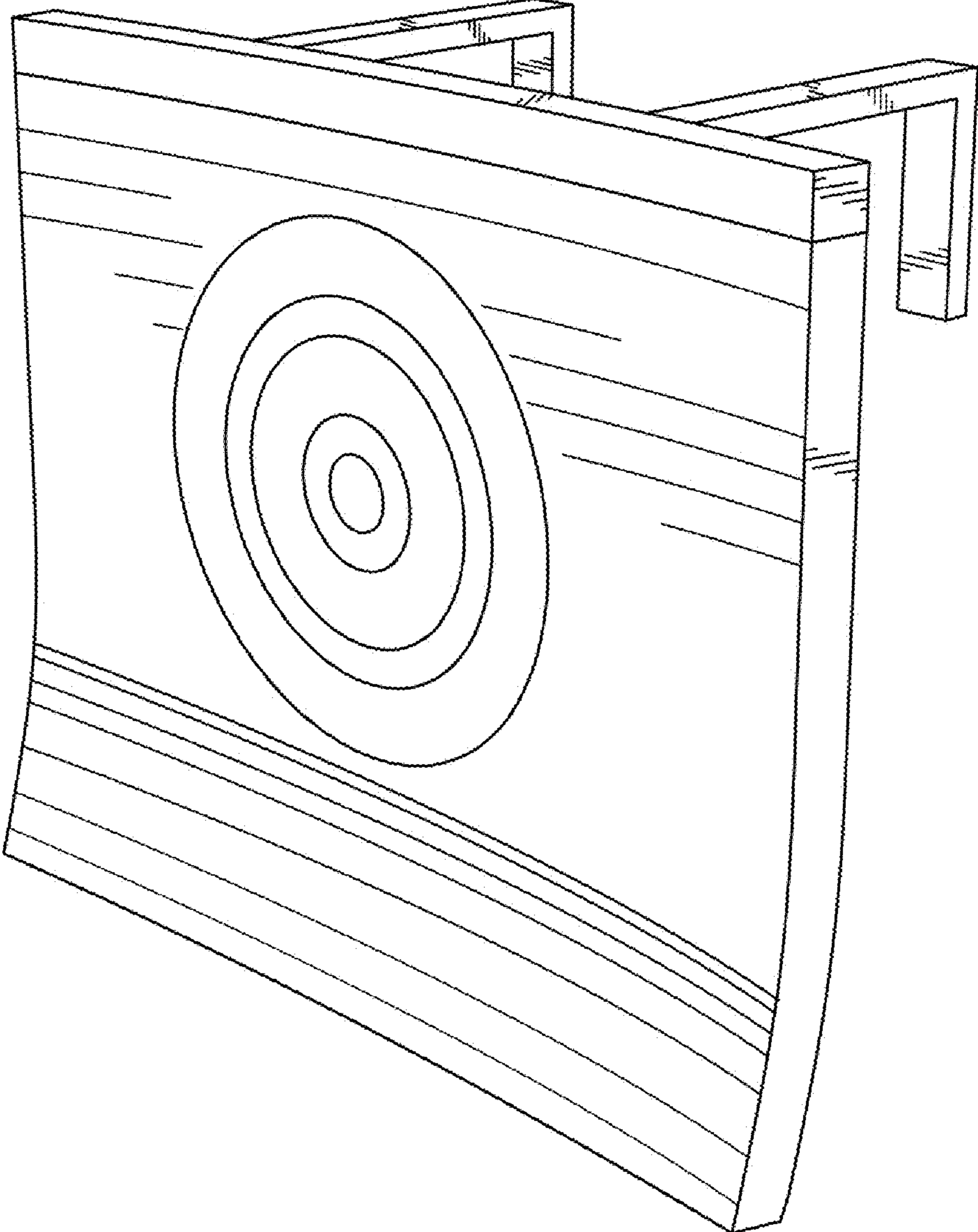


Fig. 2

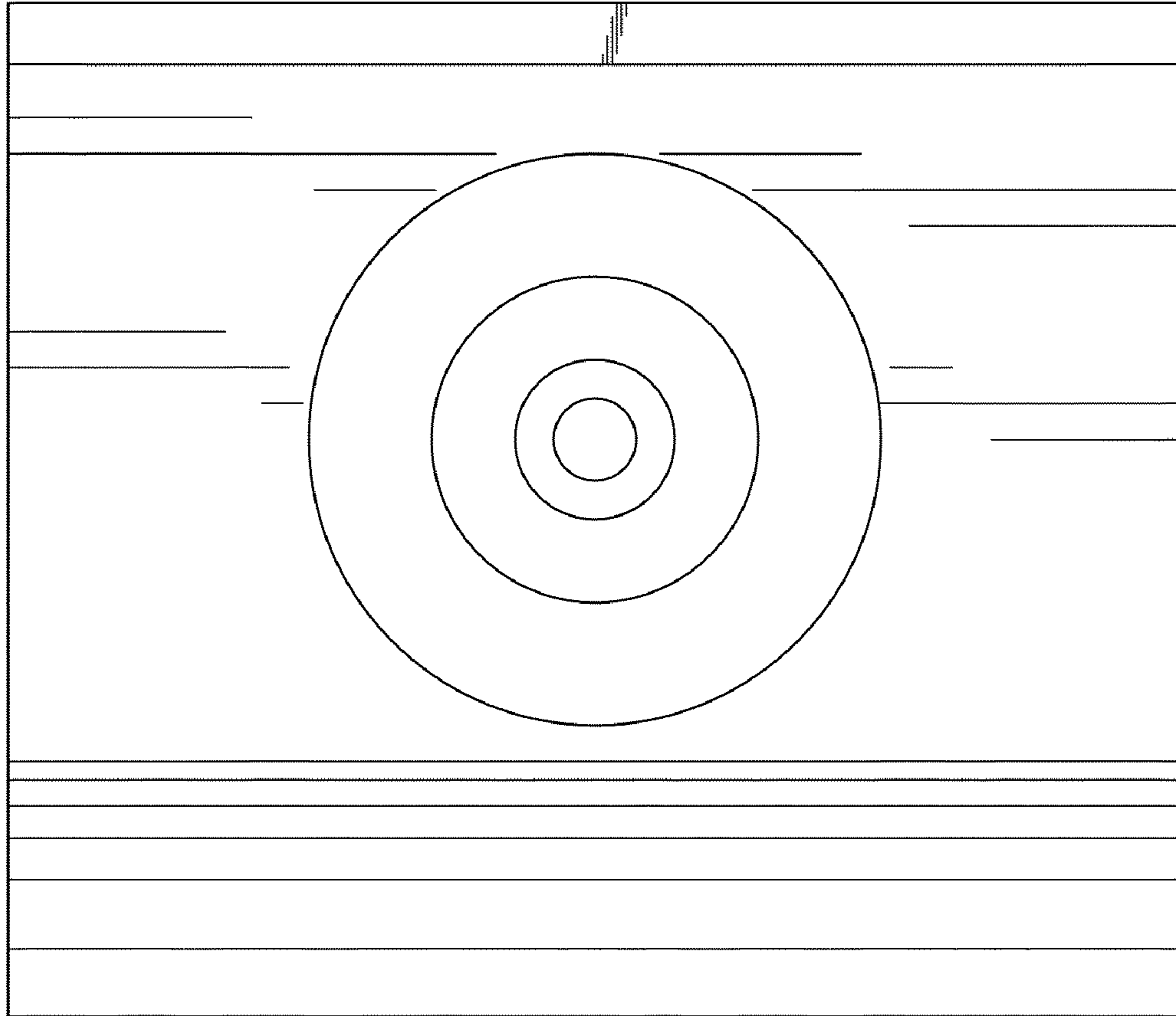


Fig. 3

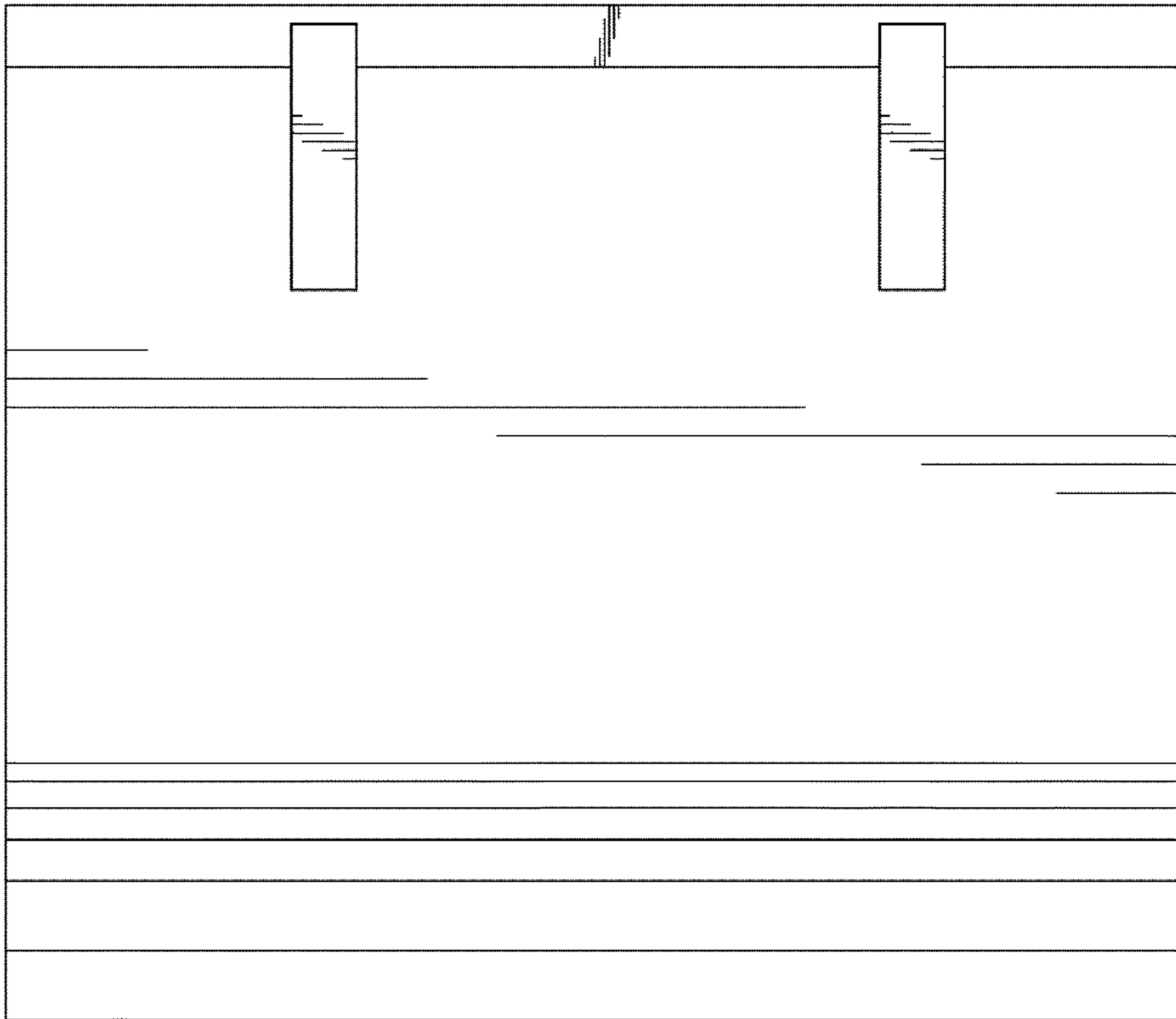


Fig. 4

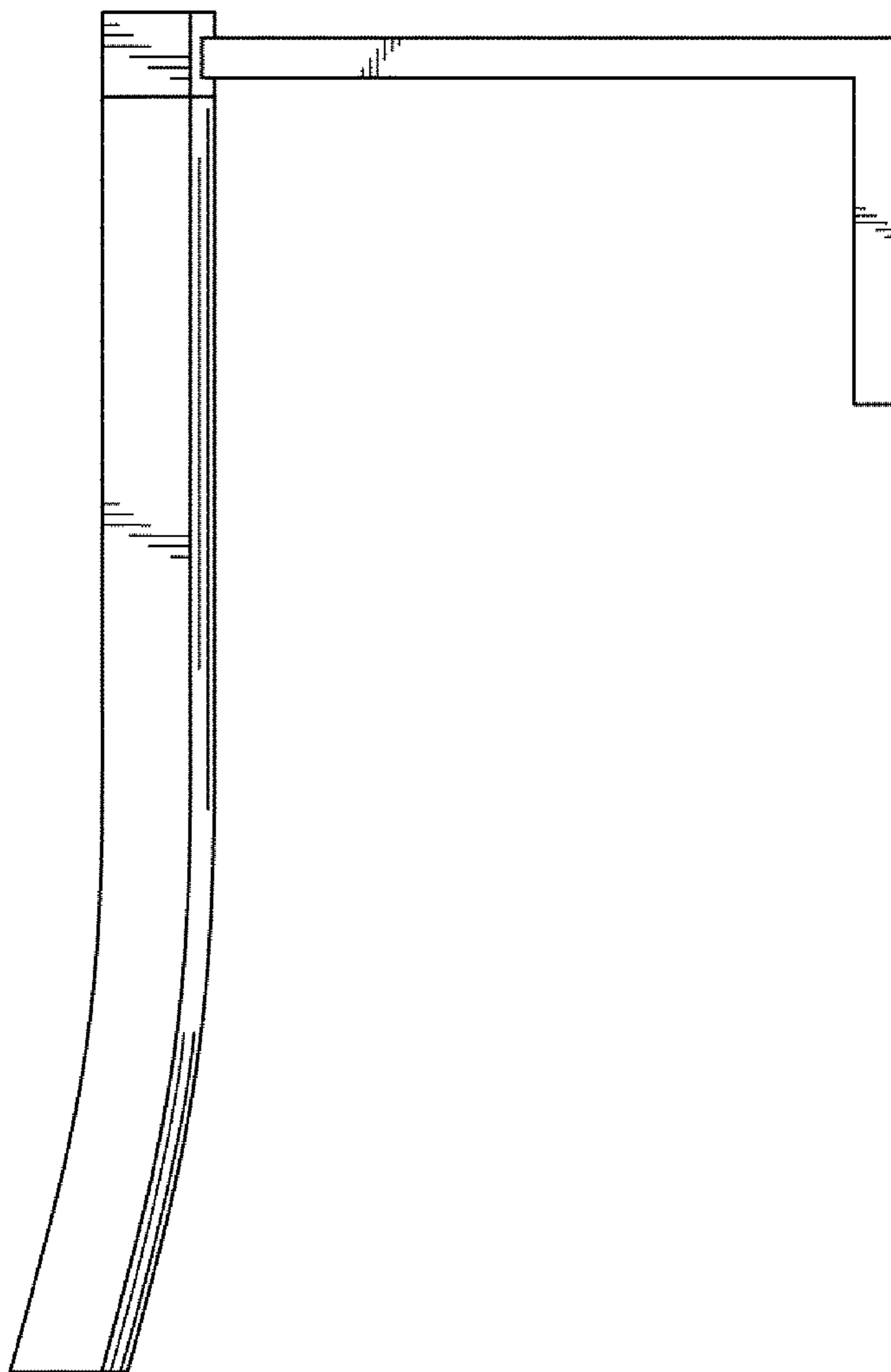


Fig. 5

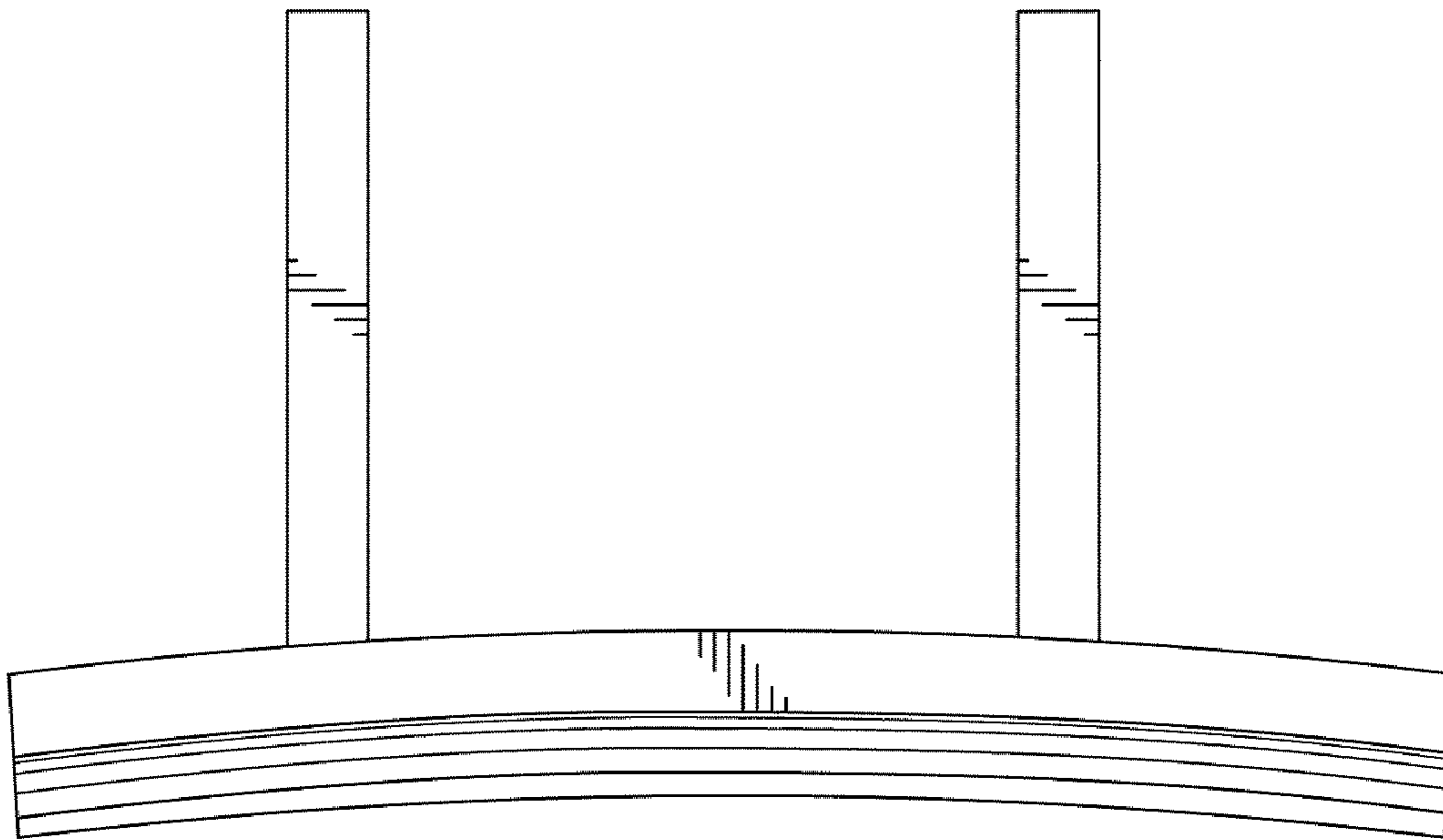


Fig. 6

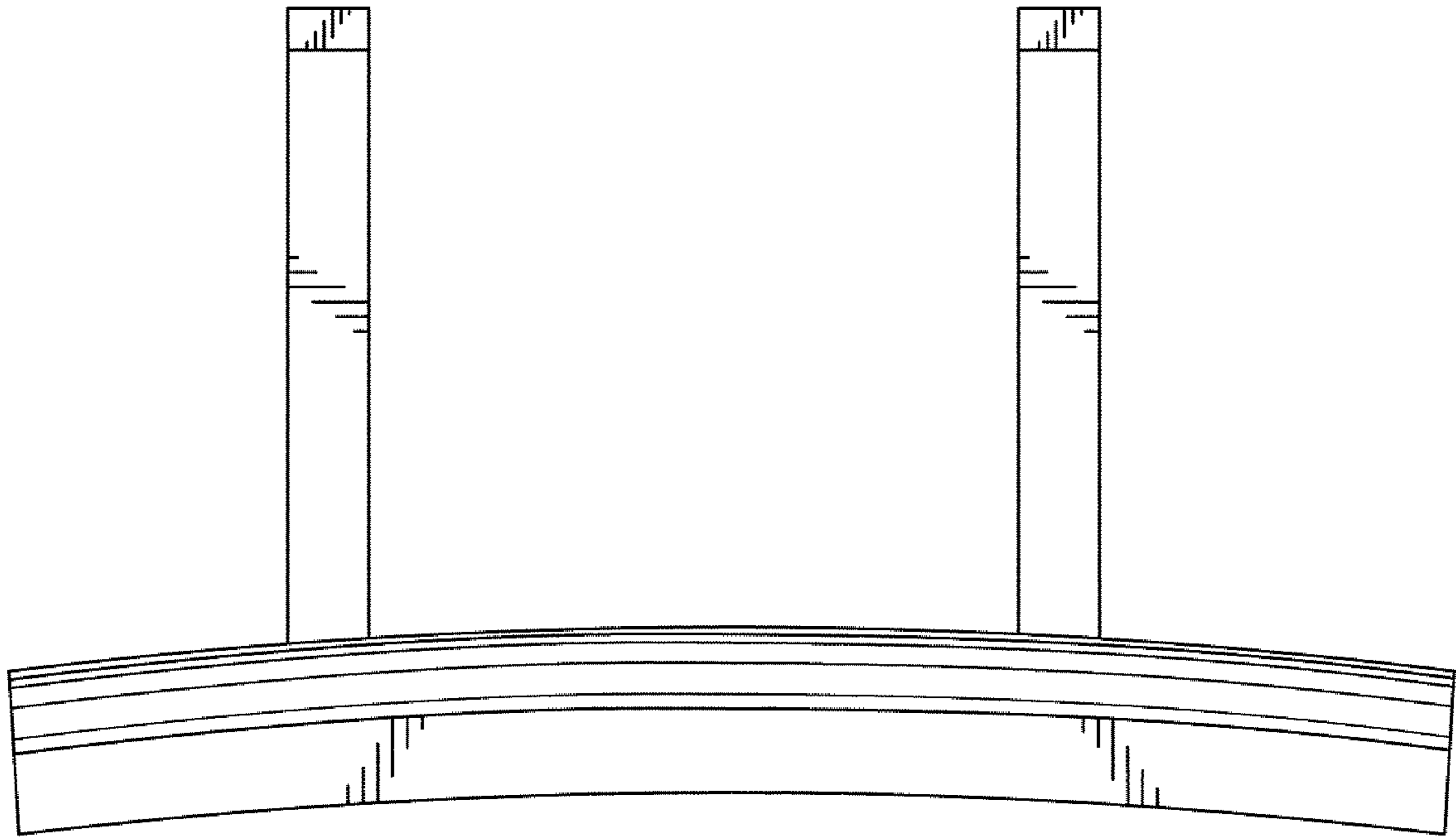


Fig. 7