



US00D638525S

(12) **United States Design Patent**  
**Matsuura et al.**

(10) **Patent No.:** **US D638,525 S**

(45) **Date of Patent:** **\*\* May 24, 2011**

(54) **TOILET BOWL**

(75) Inventors: **Touichirou Matsuura**, Tokoname (JP);  
**Kensaku Oshiro**, Mirano (IT)

(73) Assignee: **Inax Corporation**, Aichi (JP)

(\*\*) Term: **14 Years**

(21) Appl. No.: **29/367,493**

(22) Filed: **Aug. 9, 2010**

(30) **Foreign Application Priority Data**

Feb. 10, 2010 (JP) ..... 2010-002987

(51) **LOC (9) Cl.** ..... **23-02**

(52) **U.S. Cl.** ..... **D23/301**

(58) **Field of Classification Search** ..... D23/295,  
D23/301, 303, 309, 313; 4/300, 329, 353  
See application file for complete search history.

(56) **References Cited**

**U.S. PATENT DOCUMENTS**

D624,165 S \* 9/2010 Yokoyama et al. .... D23/301

\* cited by examiner

*Primary Examiner* — Robert A Delehanty

(74) *Attorney, Agent, or Firm* — Hamre, Schumann, Mueller  
& Larson, P.C.

(57) **CLAIM**

The ornamental design for a toilet bowl, as shown and described.

**DESCRIPTION**

FIG. 1 is a perspective view of front, right and top plan of a toilet bowl showing our new design;

FIG. 2 is a front view thereof;

FIG. 3 is a rear view thereof;

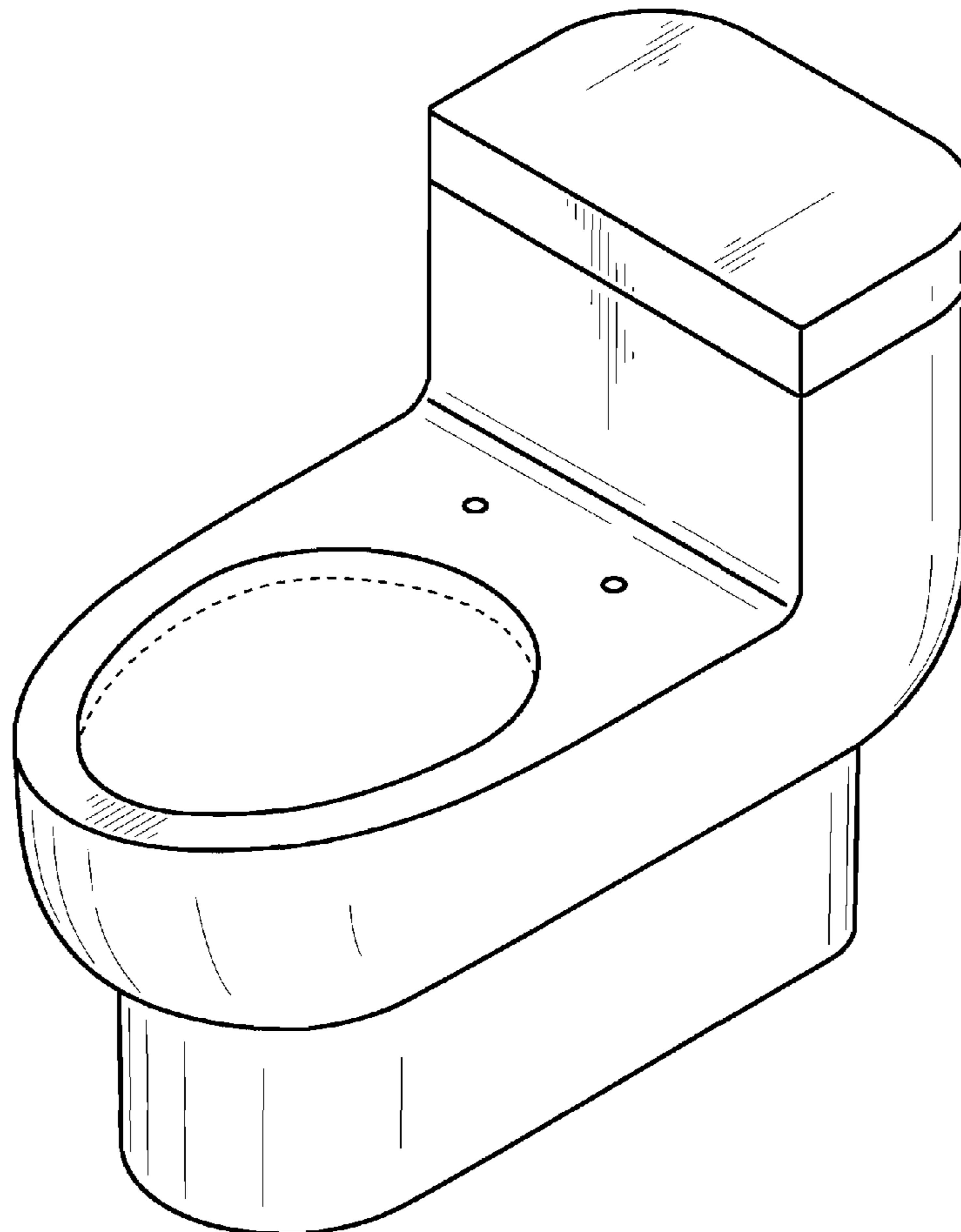
FIG. 4 is a top plan view thereof;

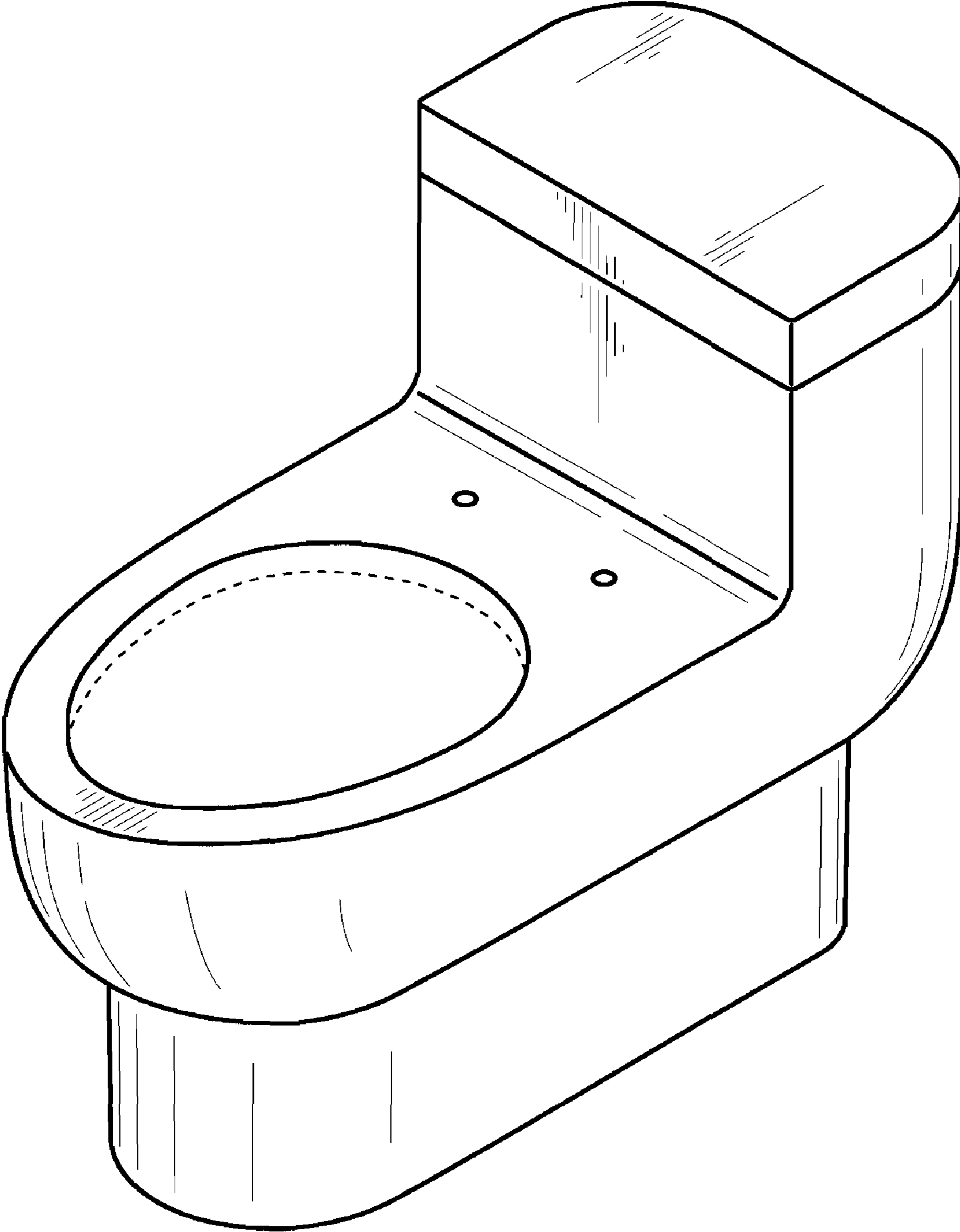
FIG. 5 is a bottom view thereof; and,

FIG. 6 is a right side view thereof; the left side view being mirror image thereof.

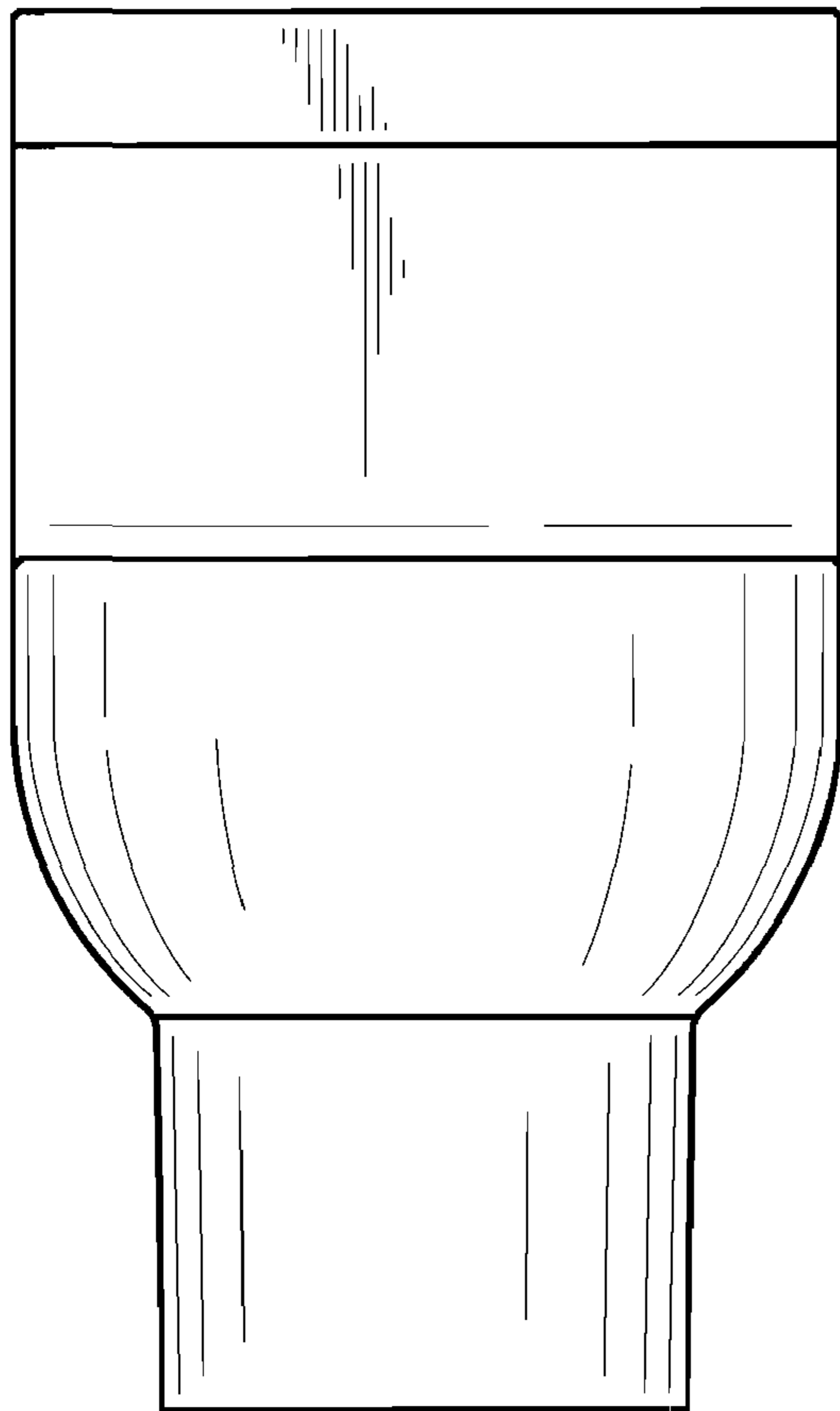
The portions of the article in broken lines are shown for illustrative purposes only and form no part of the claimed design.

**1 Claim, 4 Drawing Sheets**

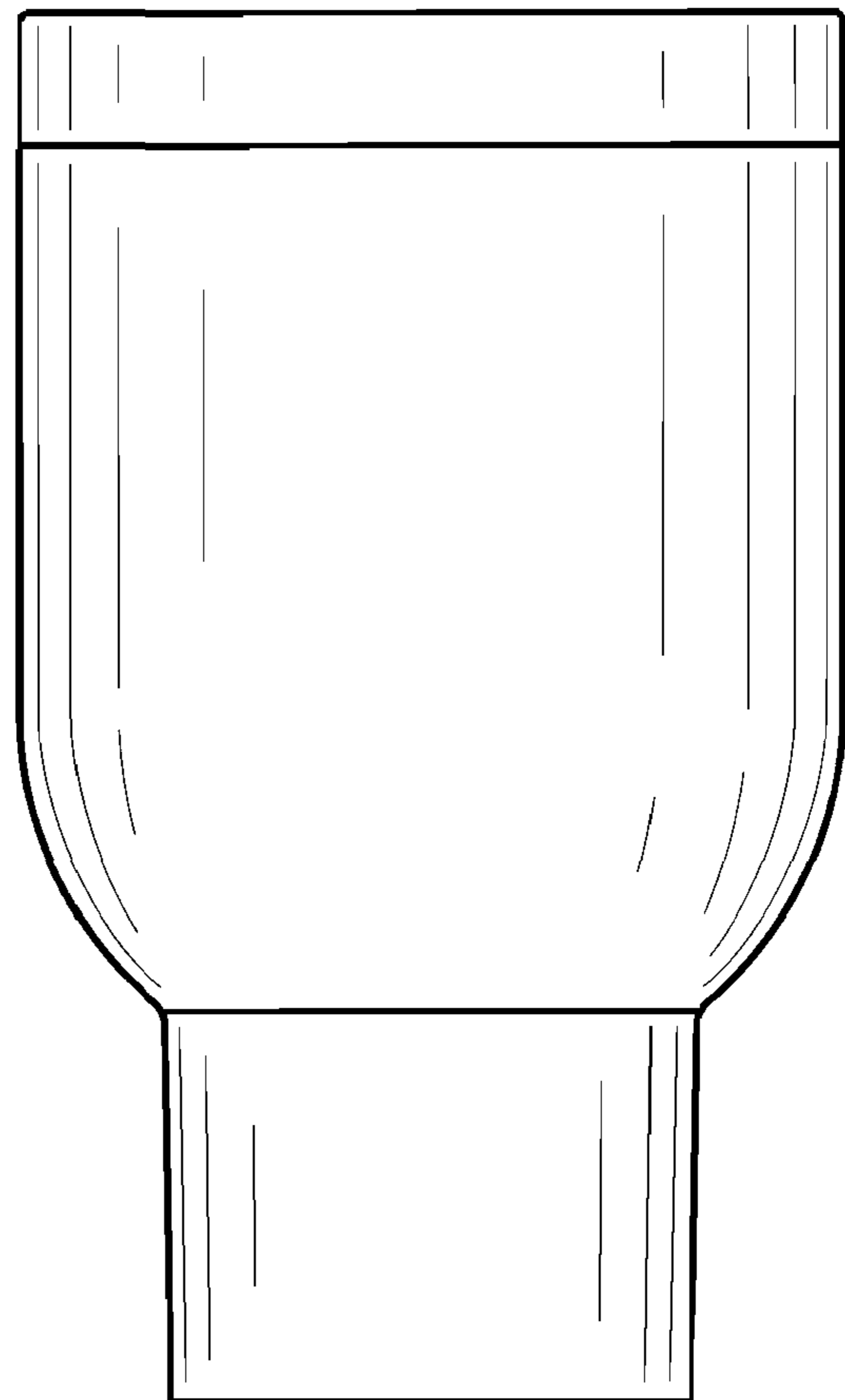




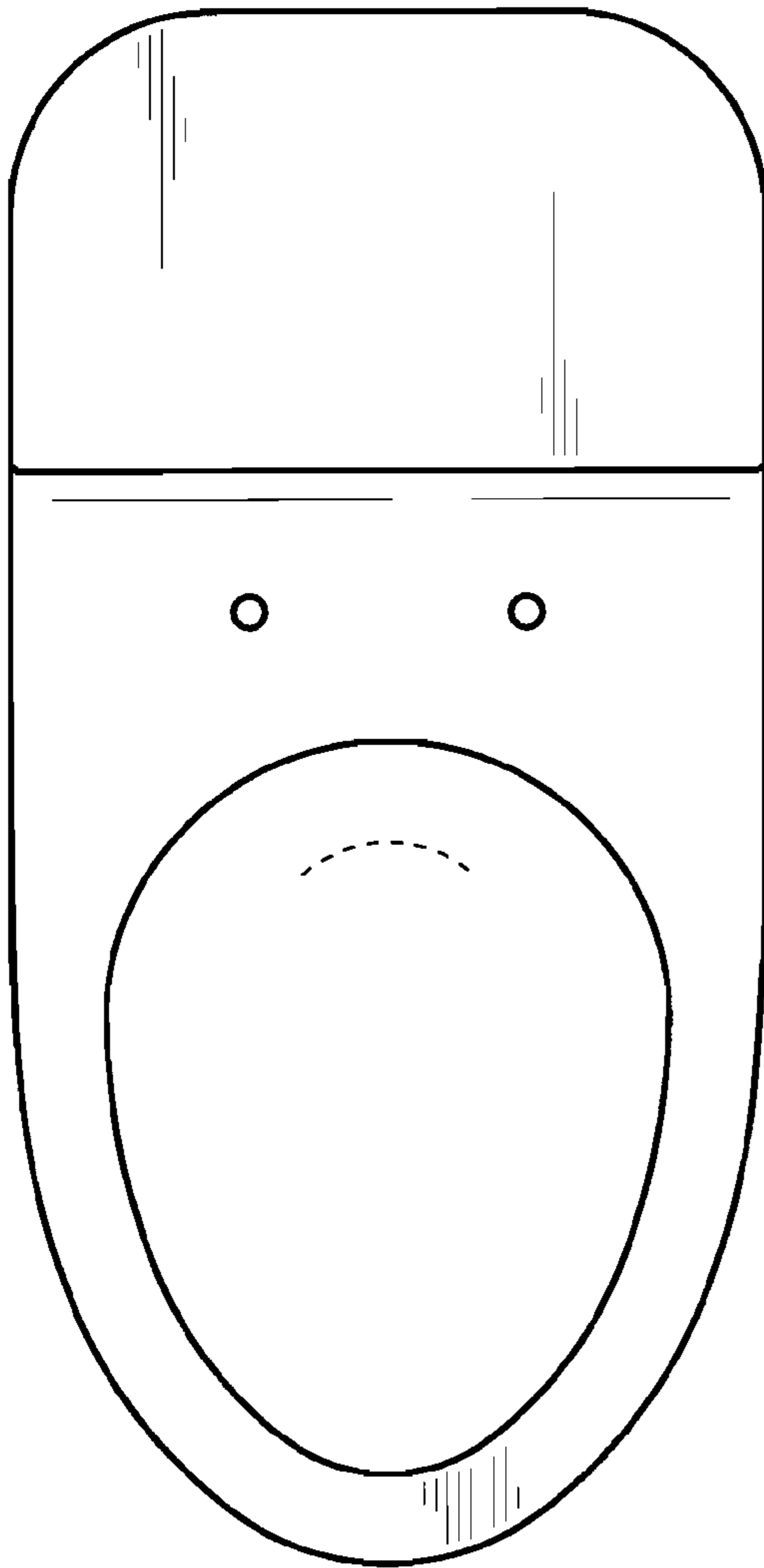
**FIG. 1**



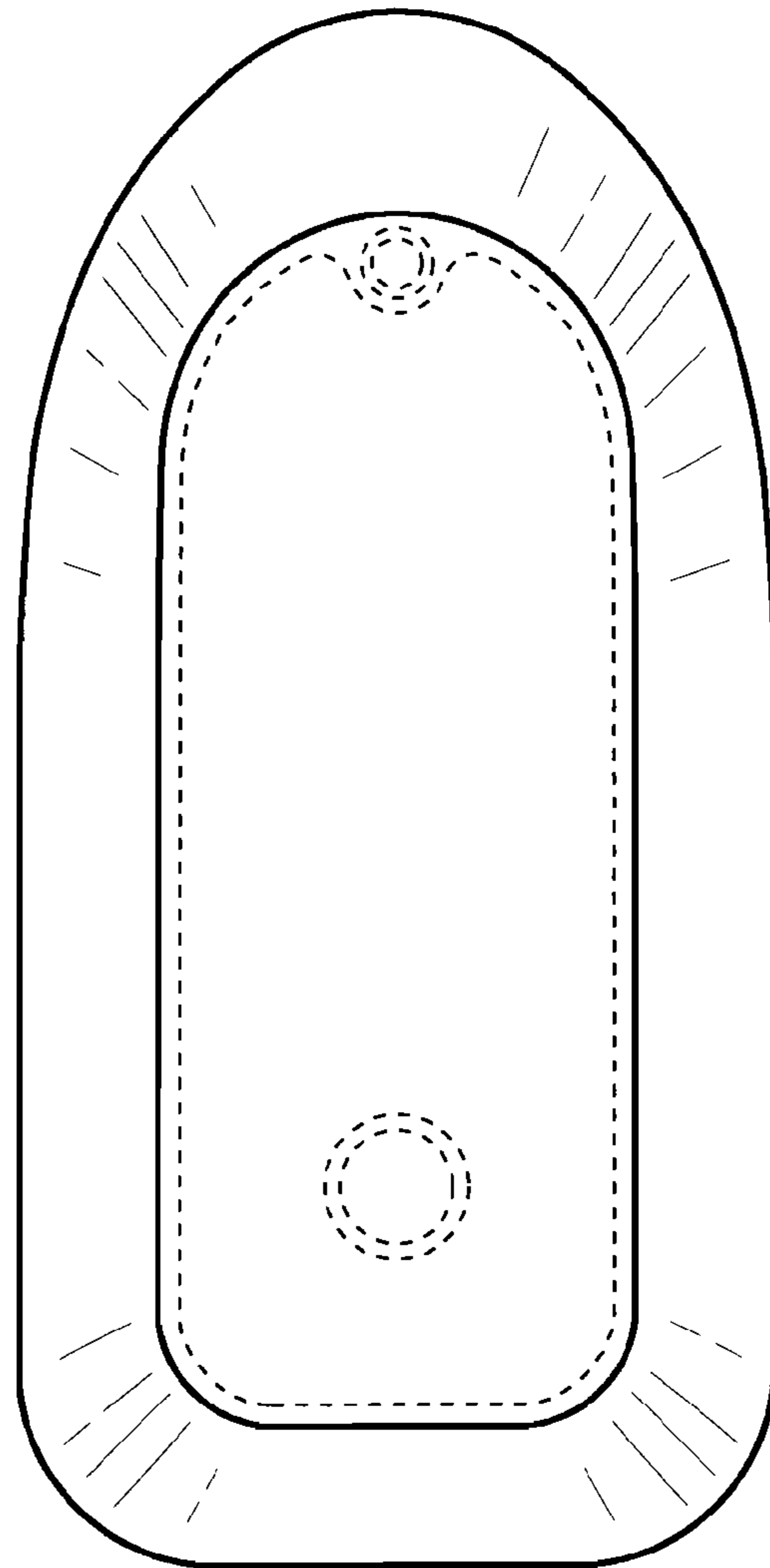
*FIG. 2*



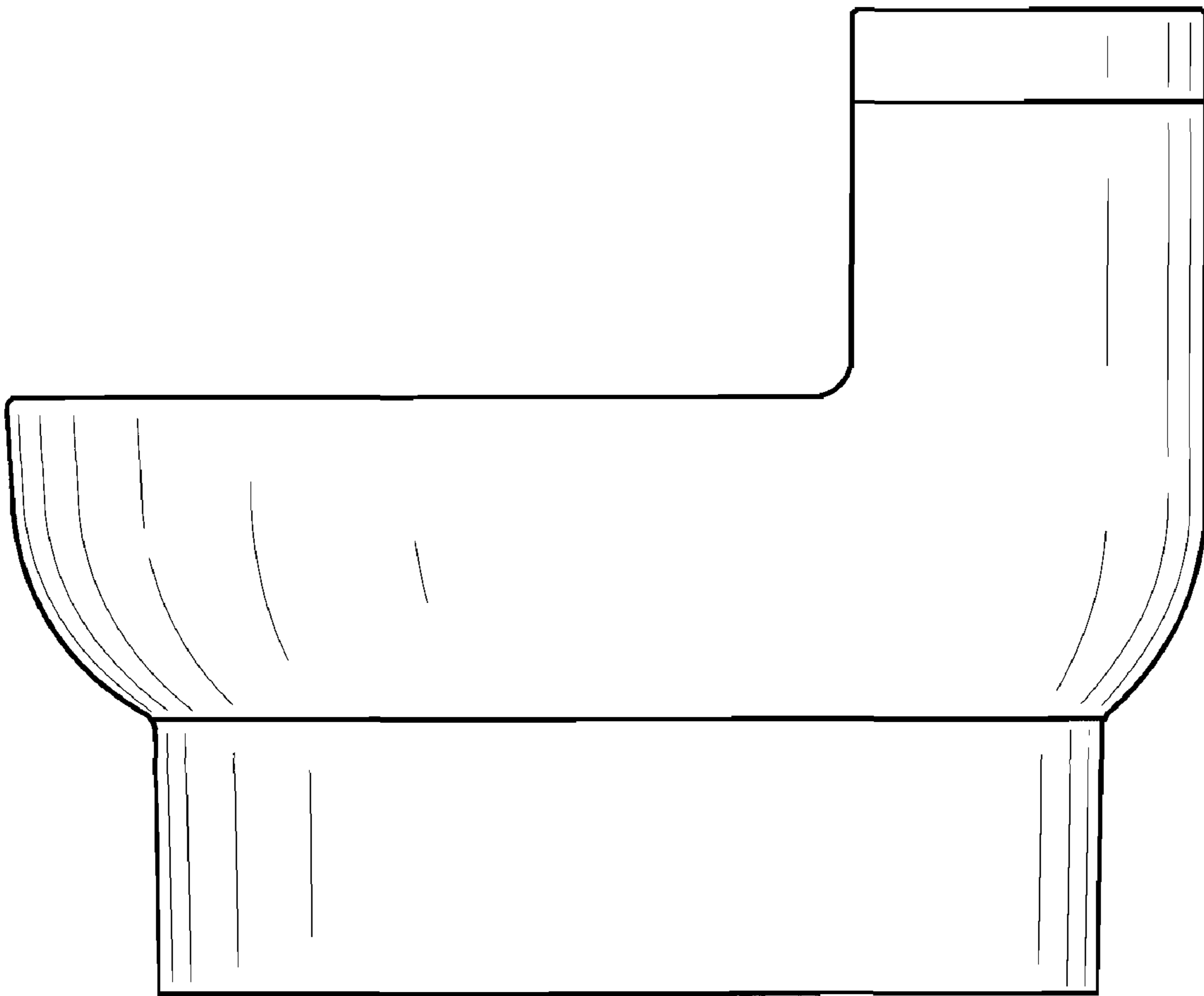
*FIG. 3*



*FIG. 4*



*FIG. 5*



*FIG. 6*