



US00D638524S

(12) **United States Design Patent**
Thomas

(10) **Patent No.:** **US D638,524 S**

(45) **Date of Patent:** **** May 24, 2011**

(54) **FREESTANDING BATH**

(75) Inventor: **Carter J. Thomas**, Branchburg, NJ (US)

(73) Assignee: **AS IP Holdco, L.L.C.**, Piscataway, NJ (US)

(**) Term: **14 Years**

(21) Appl. No.: **29/358,888**

(22) Filed: **Apr. 1, 2010**

(51) **LOC (9) Cl.** **23-02**

(52) **U.S. Cl.** **D23/280.1**

(58) **Field of Classification Search** D23/275-277,
D23/280.1-280.4, 304; 4/552, 595, 538
See application file for complete search history.

(56) **References Cited**

U.S. PATENT DOCUMENTS

D510,984 S * 10/2005 Matthews et al. D23/280.1
D519,192 S * 4/2006 Kergoet D23/280.1

D524,926 S * 7/2006 Lebrun et al. D23/280.1
D560,768 S * 1/2008 Smith D23/280.1

* cited by examiner

Primary Examiner — Robert A Delehanty

(74) *Attorney, Agent, or Firm* — Flaster/Greenberg P.C.

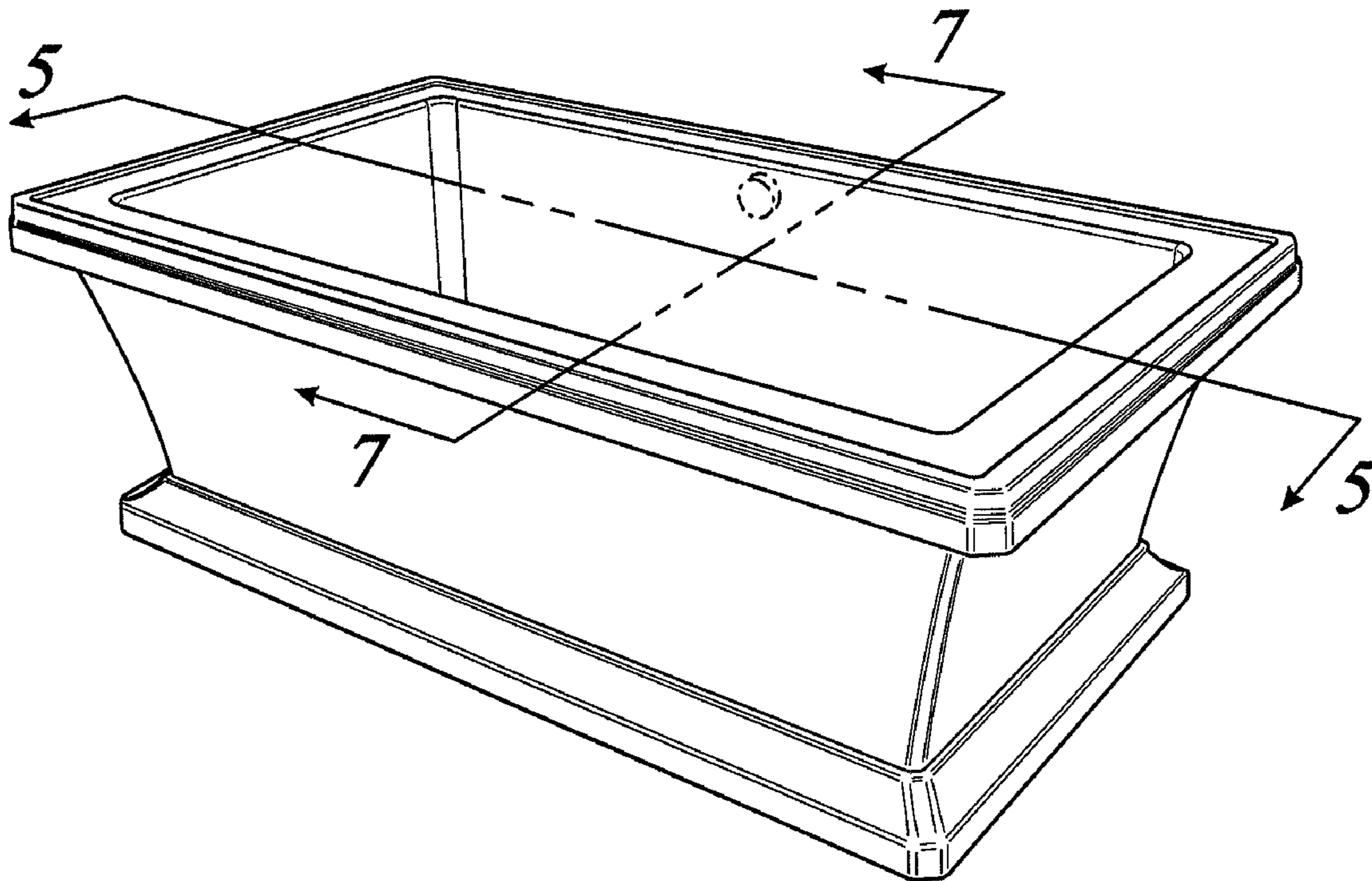
(57) **CLAIM**

The ornamental design for a freestanding bath, as shown and described.

DESCRIPTION

FIG. 1 is a perspective view of a freestanding bath;
FIG. 2 is a top plan view of the freestanding bath of FIG. 1;
FIG. 3 is a side view of the freestanding bath of FIG. 1;
FIG. 4 is a front view of the freestanding bath of FIG. 1;
FIG. 5 is a front sectional view of the freestanding bath of FIG. 1;
FIG. 6 is a view of a corner detail of the freestanding bath of FIG. 1; and,
FIG. 7 is a side sectional view of the freestanding bath of FIG. 1.

1 Claim, 4 Drawing Sheets



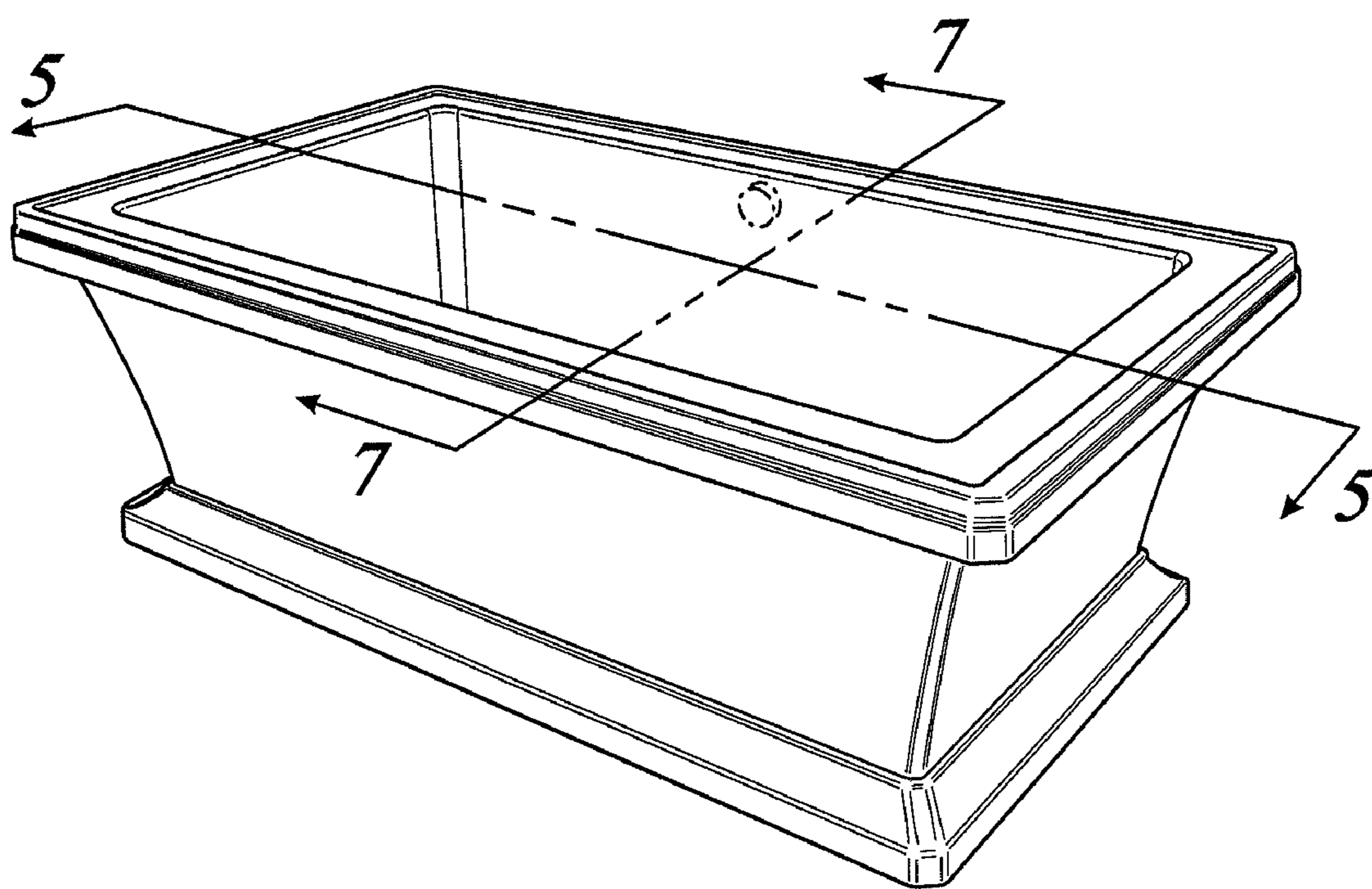


FIG. 1

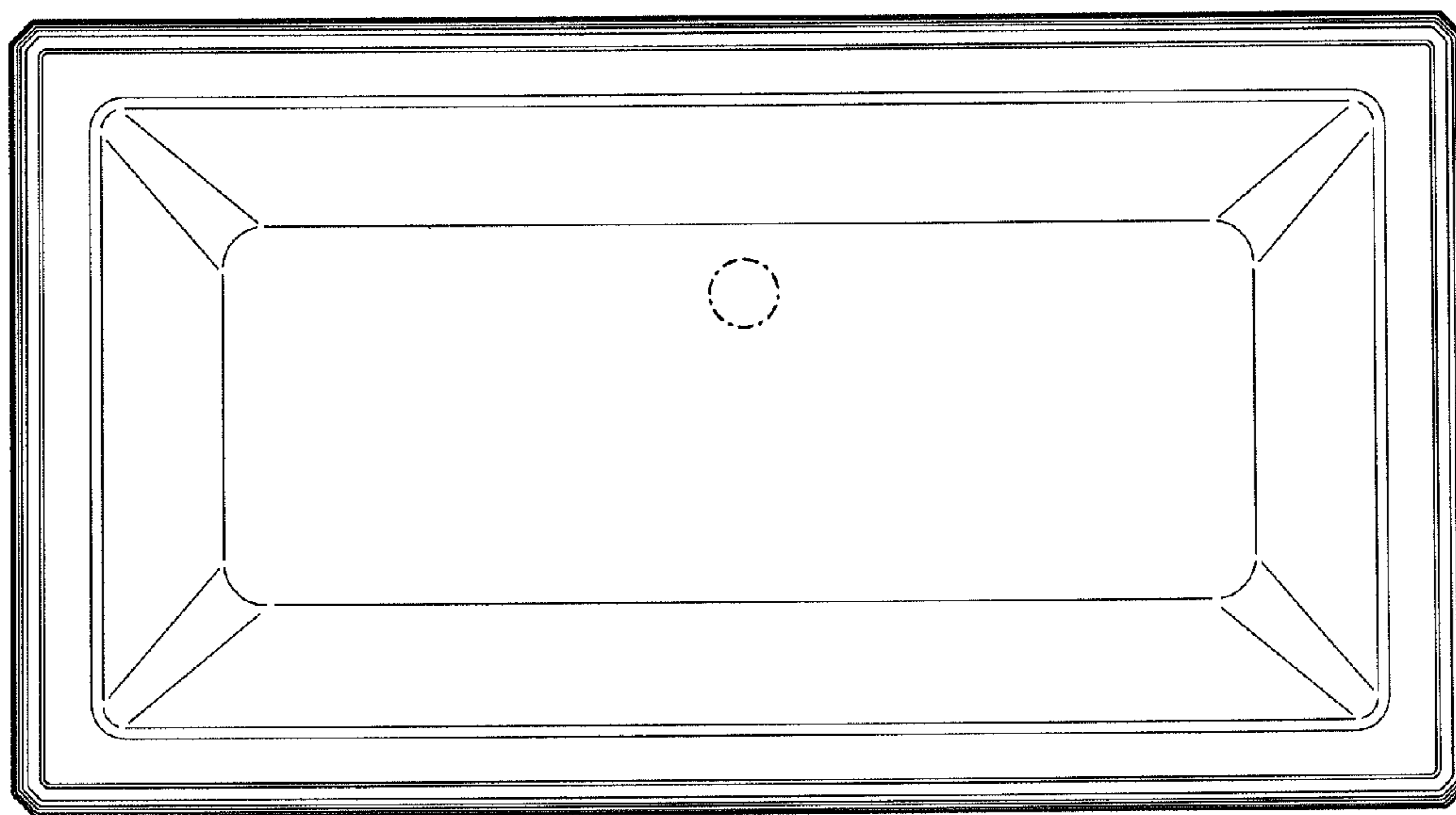


FIG. 2

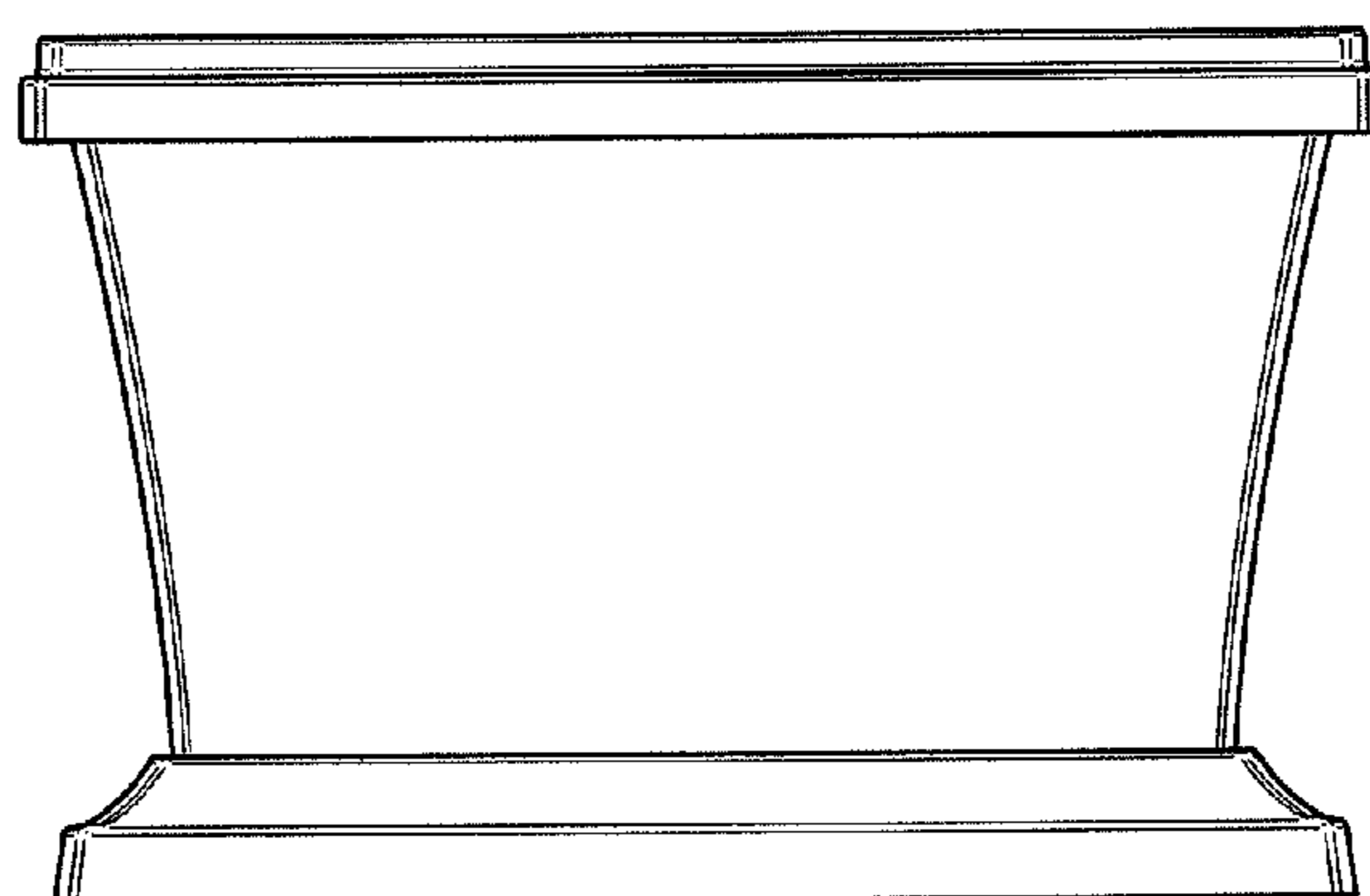


FIG. 3

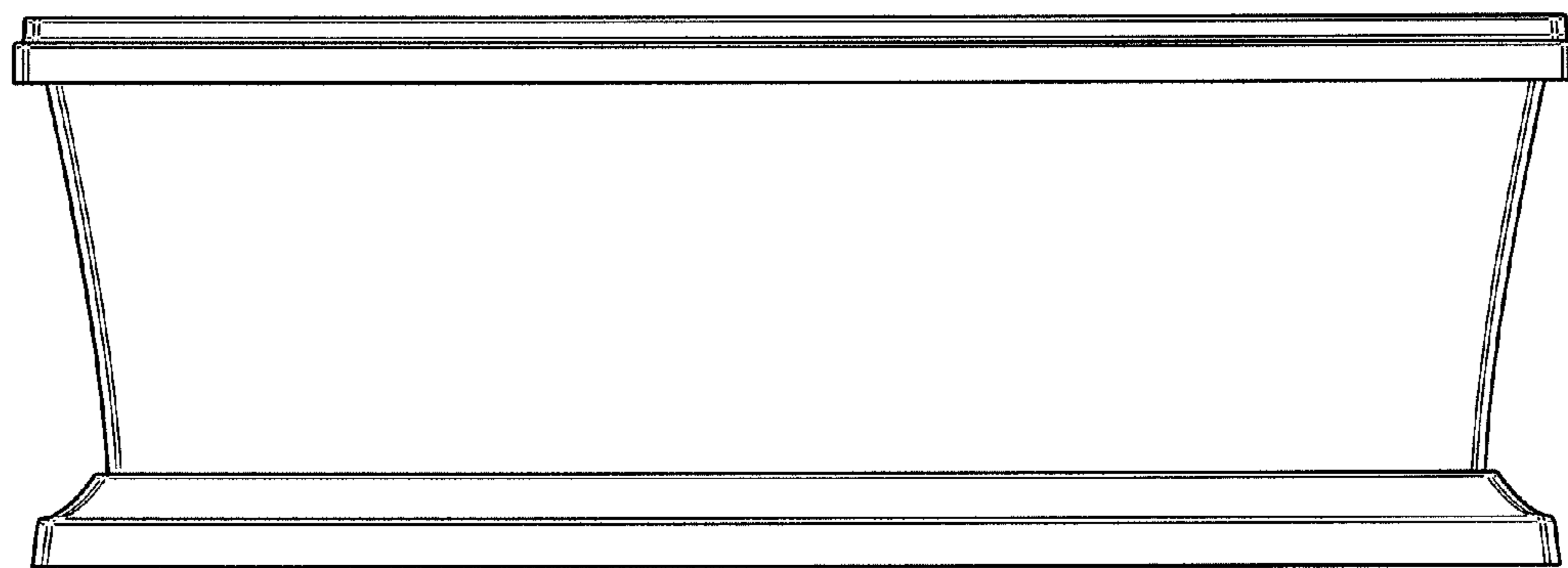


FIG. 4

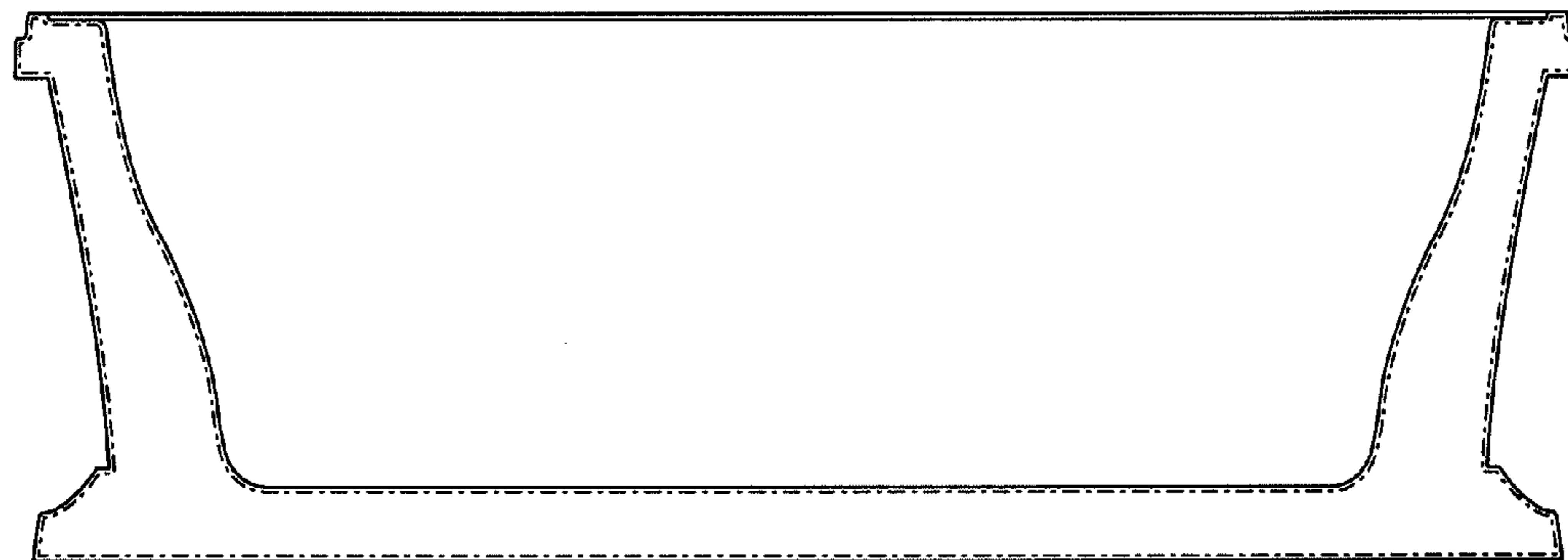


FIG. 5

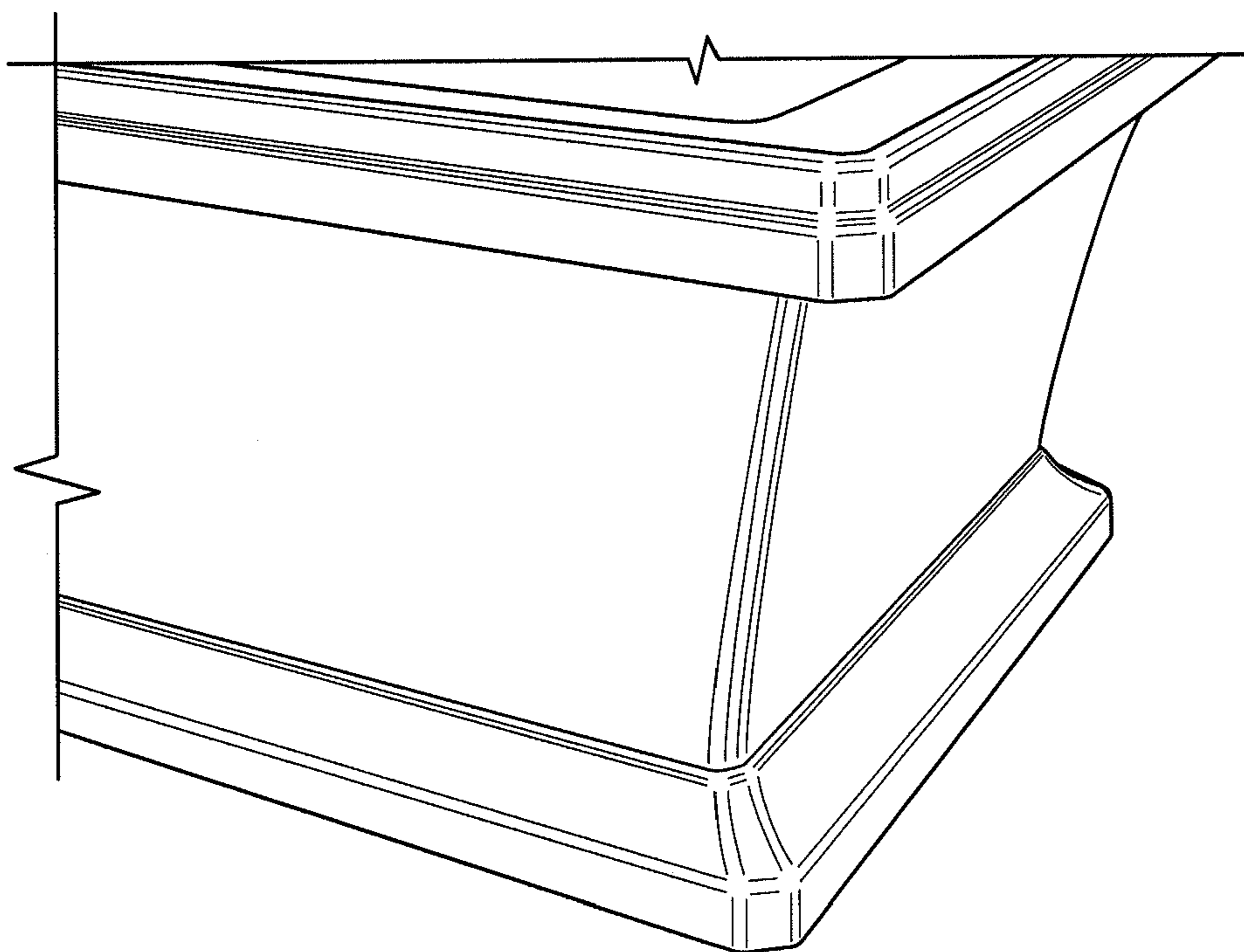


FIG. 6

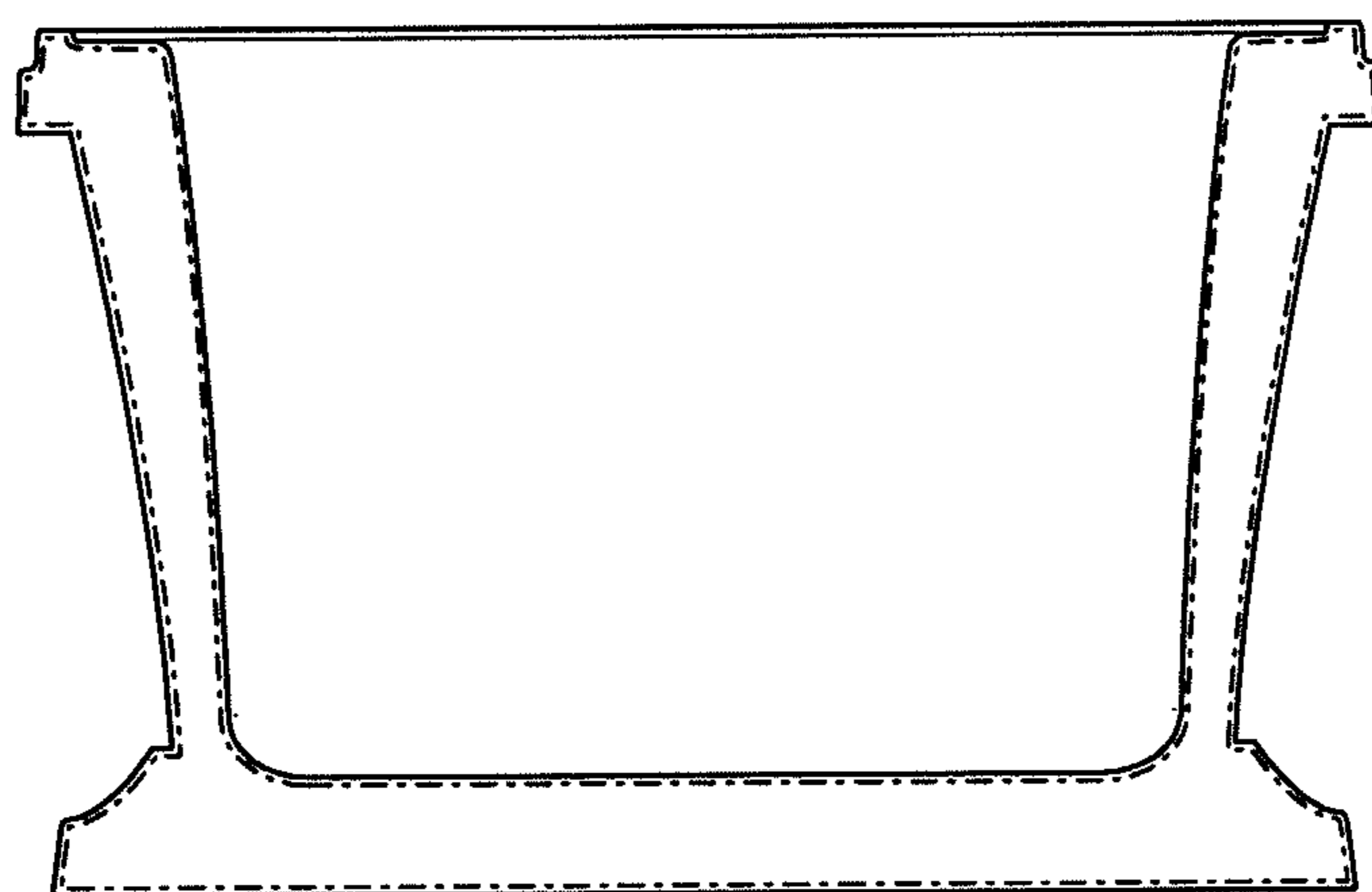


FIG. 7