



US00D638522S

(12) **United States Design Patent**
Yoshida et al.

(10) **Patent No.:** **US D638,522 S**

(45) **Date of Patent:** **** *May 24, 2011**

(54) **SEAL RING FOR STERN TUBE**

(75) Inventors: **Hisashi Yoshida**, Toyama (JP);
Motofumi Inaba, Toyama (JP); **Minoru Takayasu**, Toyama (JP)

(73) Assignee: **Wärtsilä Japan Ltd.** (JP)

(*) Notice: This patent is subject to a terminal disclaimer.

(**) Term: **14 Years**

(21) Appl. No.: **29/366,130**

(22) Filed: **Jul. 20, 2010**

(51) **LOC (9) Cl.** **23-01**

(52) **U.S. Cl.** **D23/269**

(58) **Field of Classification Search** D23/262,
D23/269; 277/351–359, 572, 563, 504
See application file for complete search history.

(56) **References Cited**

U.S. PATENT DOCUMENTS

3,064,984	A *	11/1962	Mickle et al.	277/606
3,565,447	A *	2/1971	Joachim et al.	277/504
3,645,546	A *	2/1972	Kaufman et al.	277/504
4,337,956	A *	7/1982	Hopper	277/552
4,461,487	A *	7/1984	Matsumoto	277/359
4,478,463	A *	10/1984	Takai et al.	384/482
D289,078	S *	3/1987	Vassallo et al.	D23/269

D347,885	S *	6/1994	Gustafsson	D23/269
D374,710	S *	10/1996	Gustafsson	D23/269
D379,493	S *	5/1997	Woods	D23/269
D437,034	S *	1/2001	Stout, Jr.	D23/269
D447,223	S *	8/2001	Mattsson et al.	D23/269
D515,675	S *	2/2006	Tremoulet et al.	D23/269
D534,253	S *	12/2006	Sandman et al.	D23/269
D556,867	S *	12/2007	Darce	D23/269
2005/0035554	A1 *	2/2005	Roberts et al.	277/358
2009/0206553	A1 *	8/2009	Kanzaki	277/351

* cited by examiner

Primary Examiner — T. Chase Nelson

Assistant Examiner — Eric L Goodman

(74) *Attorney, Agent, or Firm* — Rossi, Kimms & McDowell LLP

(57) **CLAIM**

We claim the ornamental design for a seal ring for a stern tube, as shown and described.

DESCRIPTION

FIG. 1 is a perspective view of a seal ring for a stern tube.

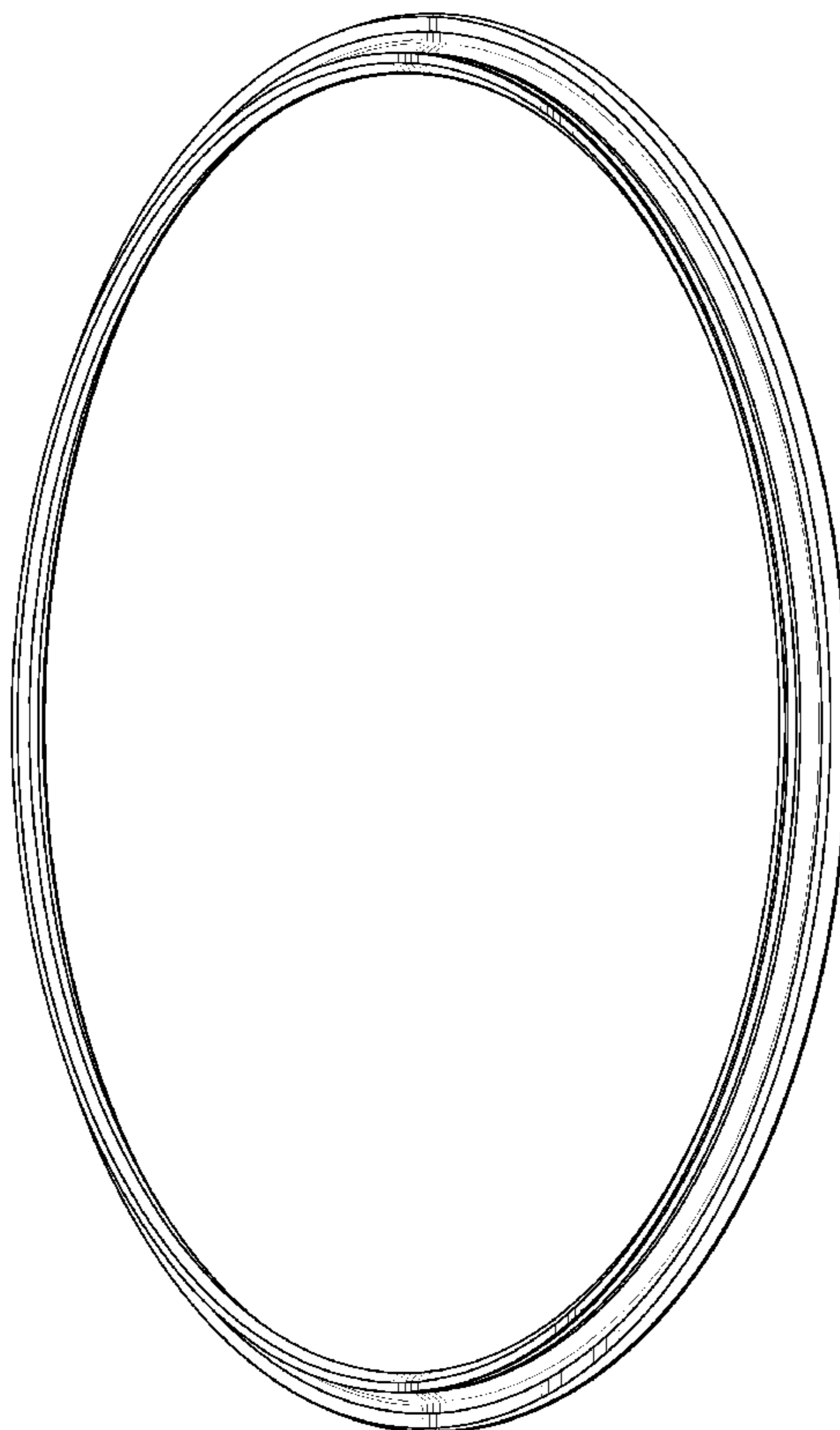
FIG. 2 is a right-side view of the seal ring, the left-side view being a mirror image of the right-side view, and the top and bottom view being identical thereto.

FIG. 3 is an enlarged cross-sectional view taken along line 3—3 of FIG. 5.

FIG. 4 is a front view of the seal ring; and,

FIG. 5 is a rear view of the seal ring.

1 Claim, 5 Drawing Sheets



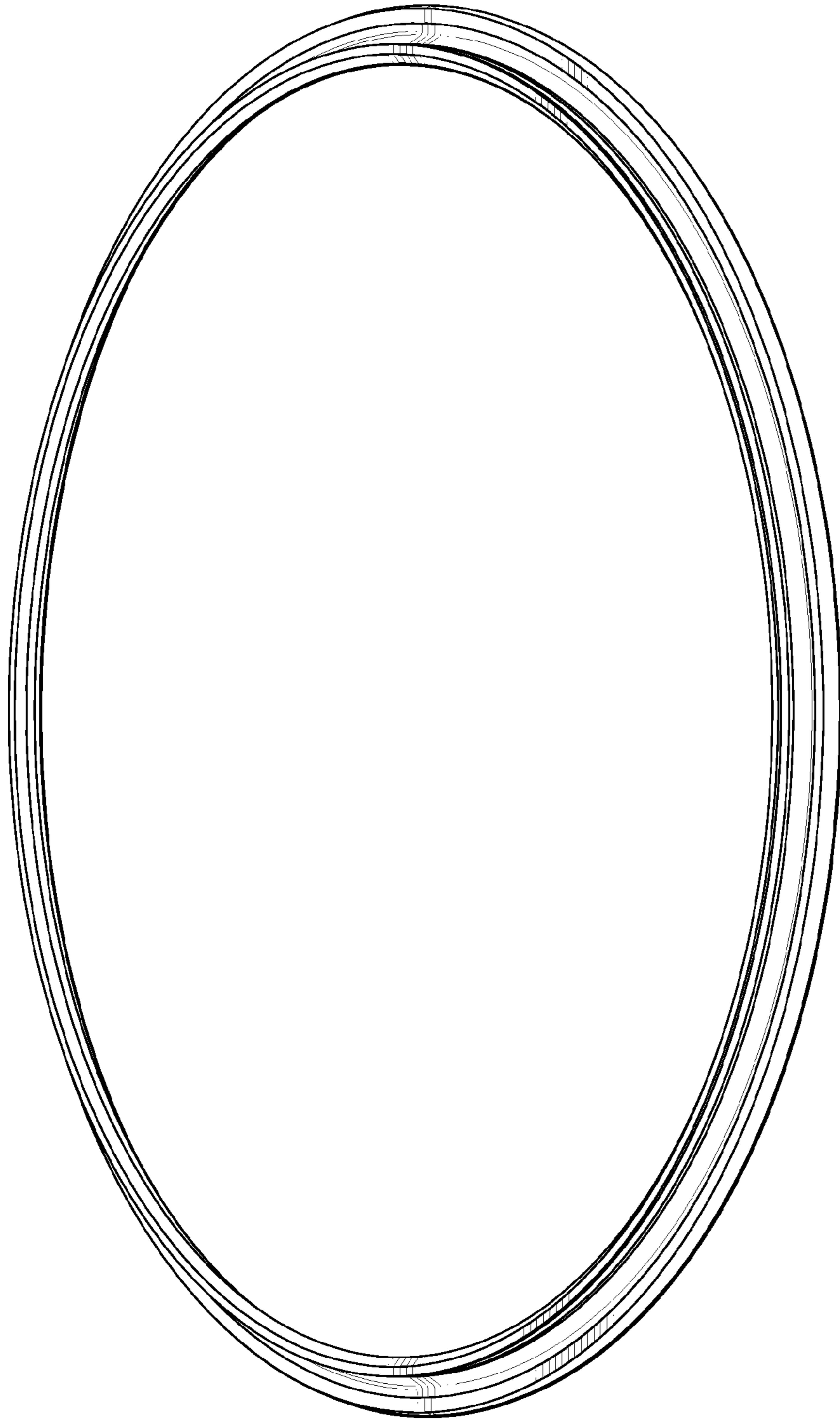


FIG. 1

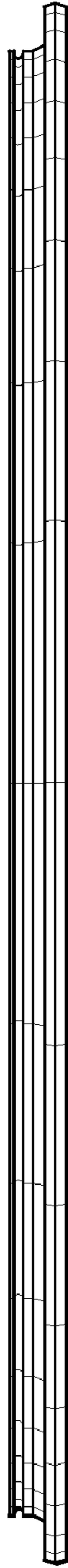


FIG. 2

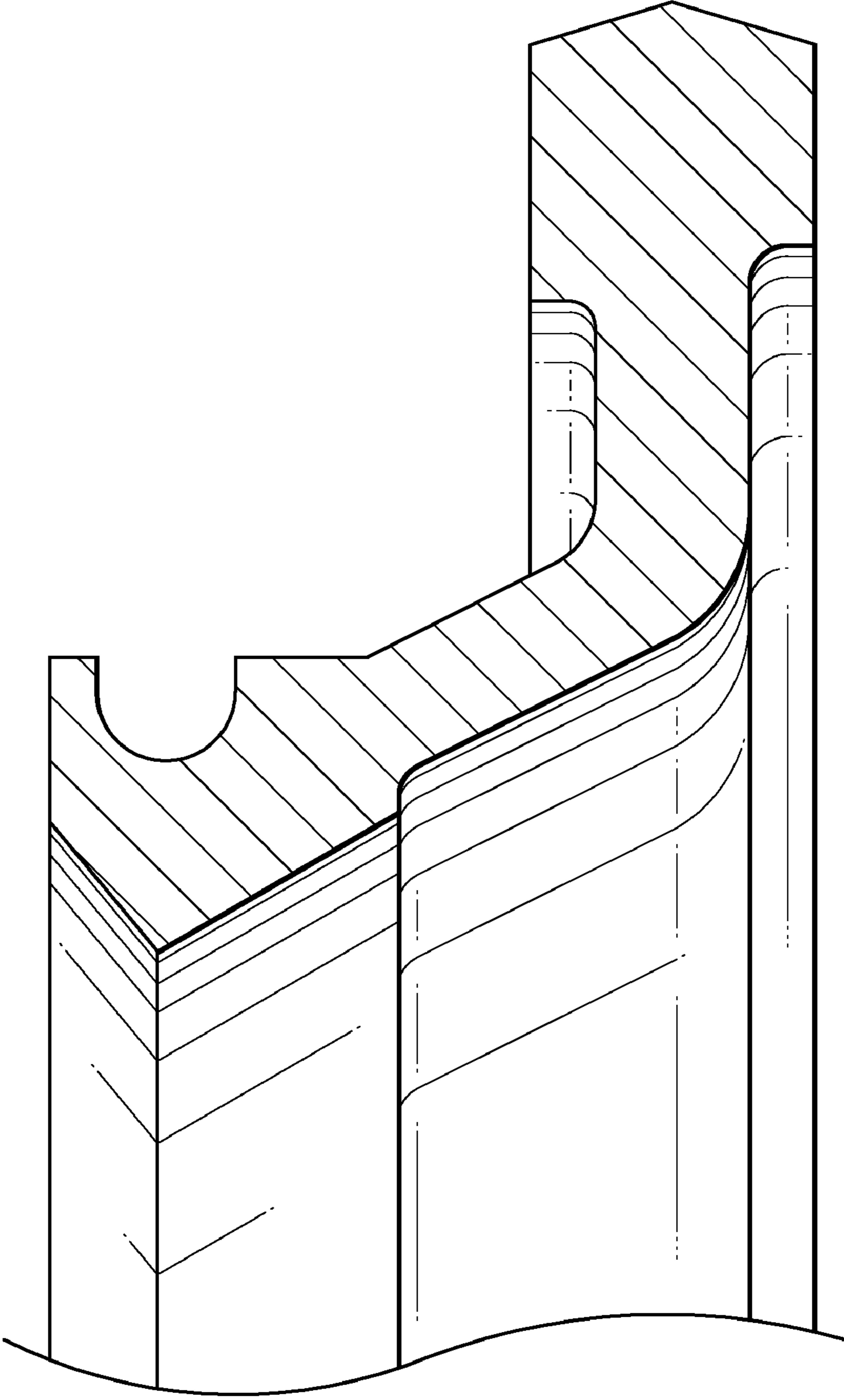


FIG. 3

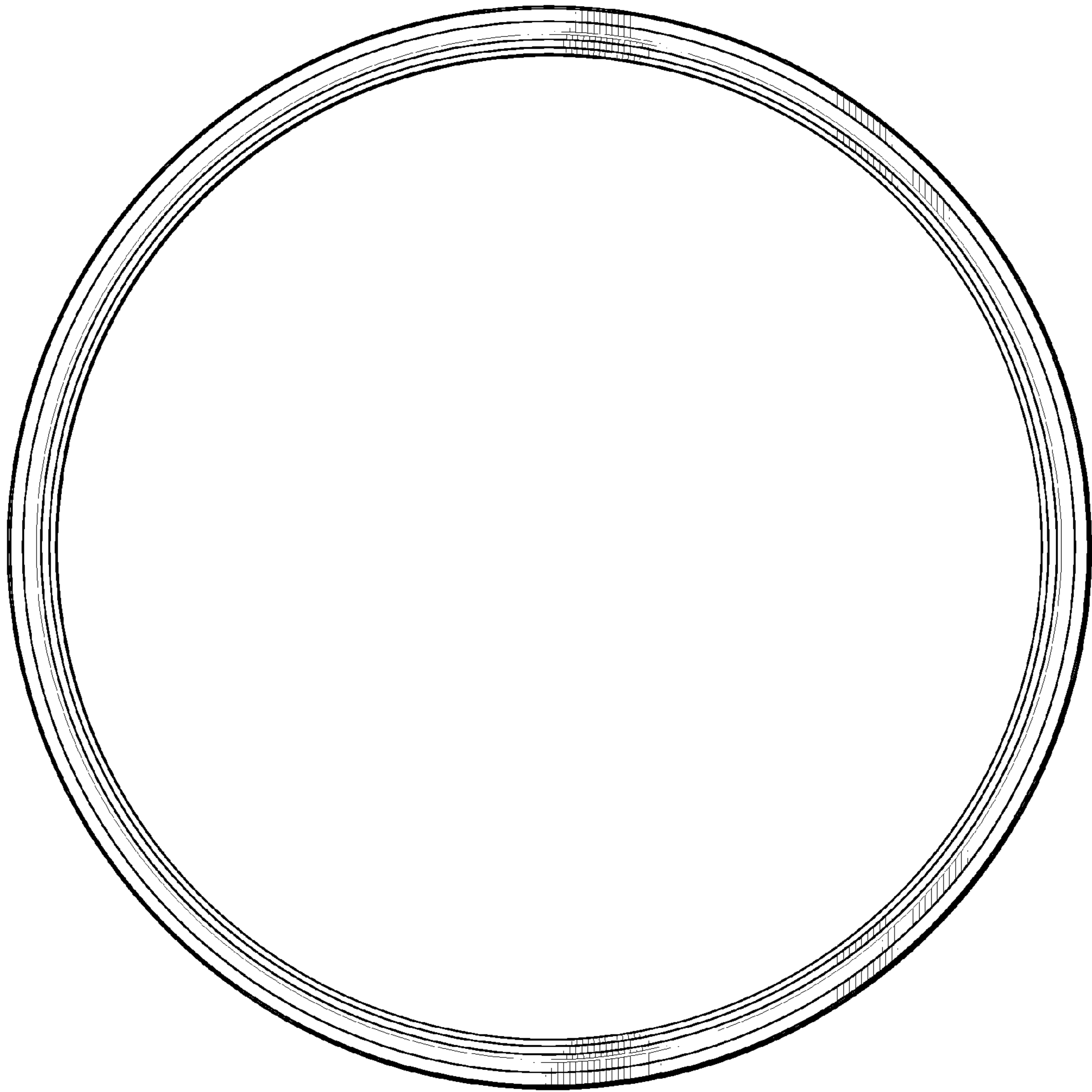


FIG. 4

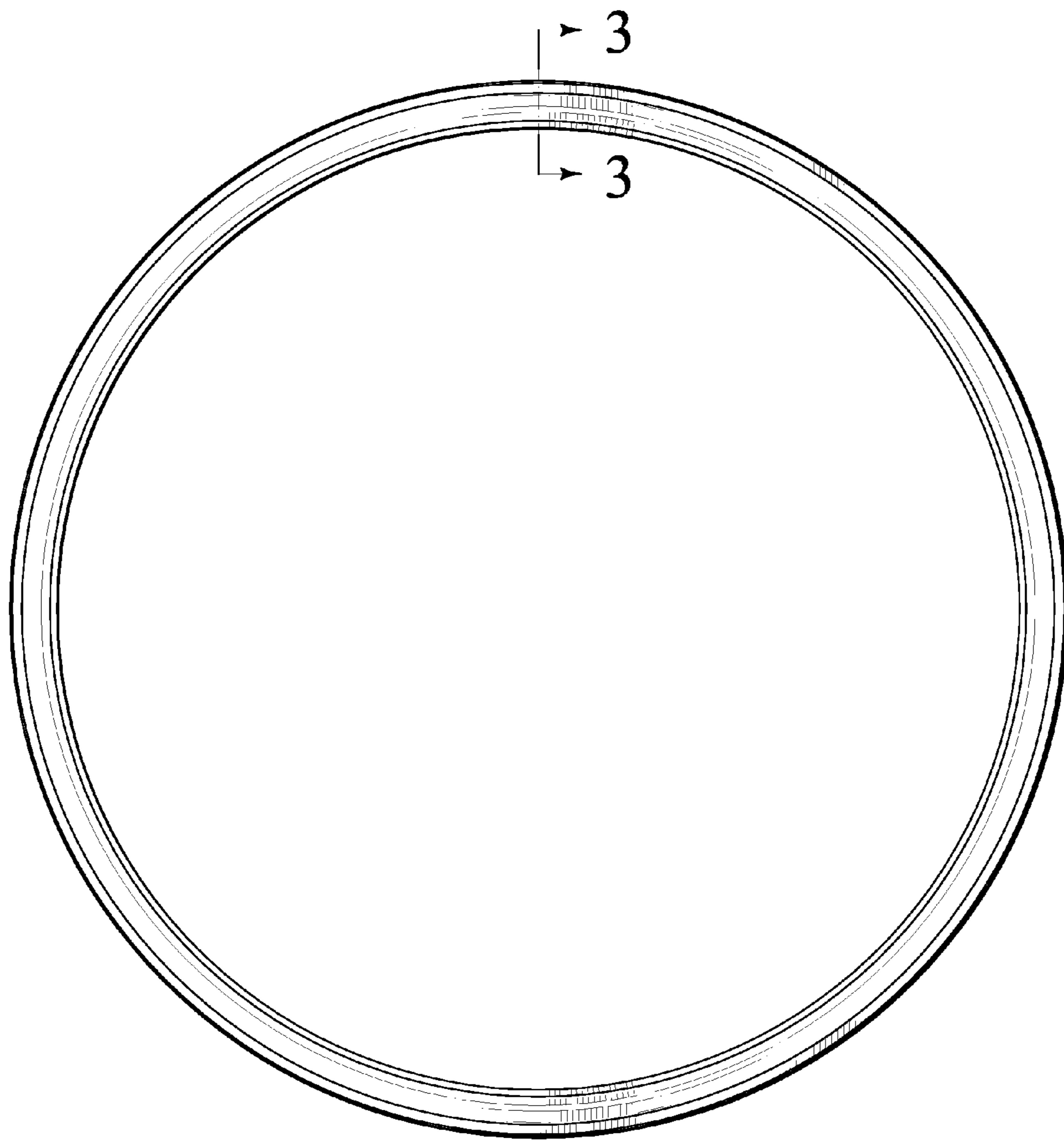


FIG. 5