



US00D638520S

(12) **United States Design Patent**
Matsuura et al.

(10) **Patent No.:** **US D638,520 S**

(45) **Date of Patent:** **** May 24, 2011**

(54) **FAUCET WITH SHOWER HEAD**

(75) Inventors: **Touichirou Matsuura**, Tokoname (JP);
Kensaku Oshiro, Mirano (IT)

(73) Assignee: **Inax Corporation**, Aichi (JP)

(**) Term: **14 Years**

(21) Appl. No.: **29/367,497**

(22) Filed: **Aug. 9, 2010**

(30) **Foreign Application Priority Data**

Feb. 10, 2010 (JP) 2010-002992

(51) **LOC (9) Cl.** **23-01**

(52) **U.S. Cl.** **D23/228**

(58) **Field of Classification Search** D23/213,
D23/228-230, 304; 4/596, 597, 570, 600
See application file for complete search history.

(56) **References Cited**

U.S. PATENT DOCUMENTS

2,846,691 A * 8/1958 Zettinig 4/570
D475,437 S * 6/2003 Dimitriadis et al. D23/242
D492,980 S * 7/2004 Citterio D23/238
D527,792 S * 9/2006 Hoernig D23/228

D559,949 S * 1/2008 Bickler et al. D23/228
D564,625 S * 3/2008 Bickler et al. D23/228
D575,846 S * 8/2008 Lobermeier et al. D23/228
D606,627 S * 12/2009 Urquiola D23/228
D612,453 S * 3/2010 Schoenherr et al. D23/228

* cited by examiner

Primary Examiner — Robin V Webster

(74) *Attorney, Agent, or Firm* — Hamre, Schumann, Mueller
& Larson, P.C.

(57) **CLAIM**

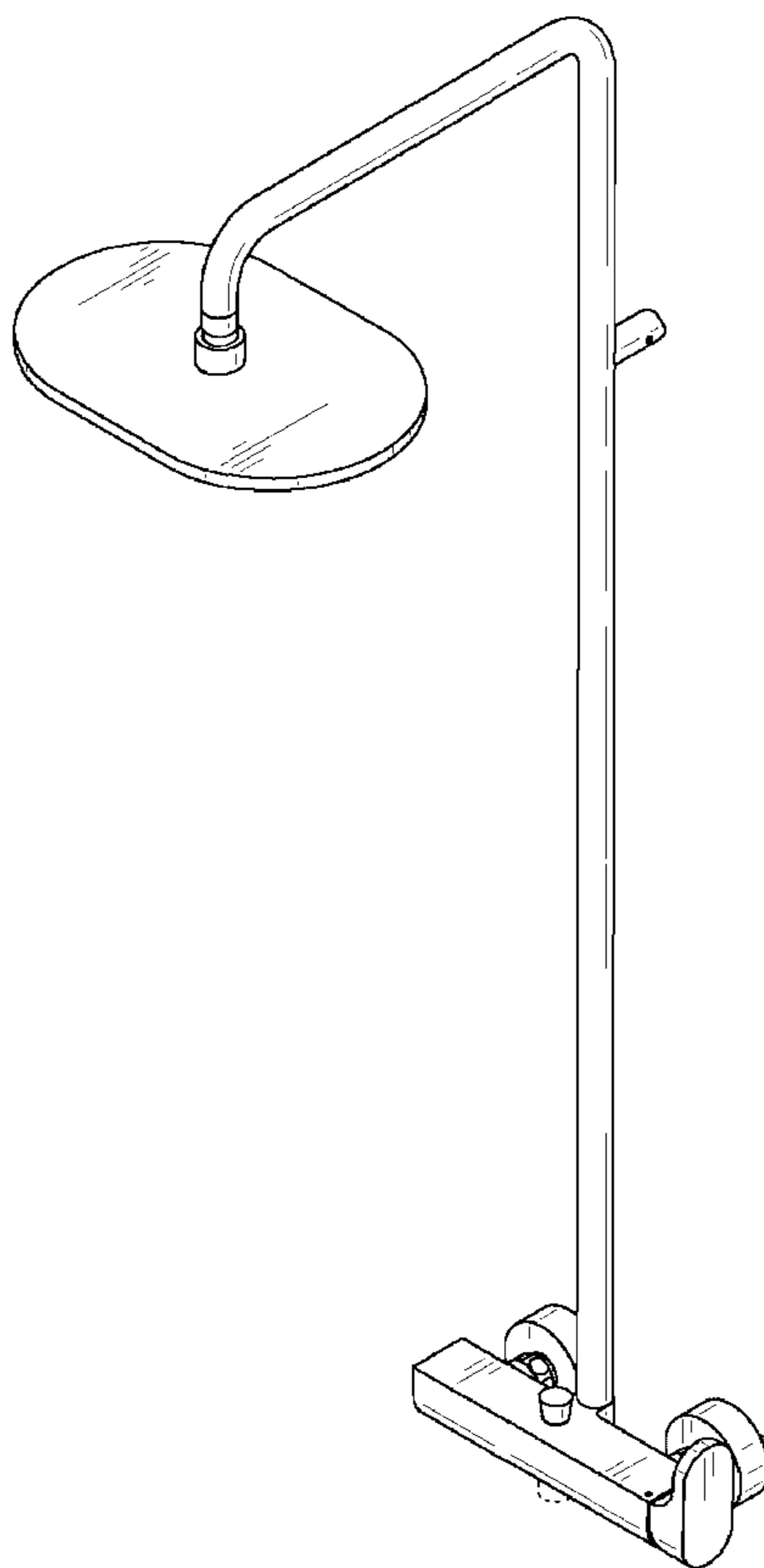
The ornamental design for a faucet with shower head, as
shown and described.

DESCRIPTION

FIG. 1 is a perspective view of front, right and top plan of a
faucet with shower head showing our new design;
FIG. 2 is a front view thereof;
FIG. 3 is a rear view thereof;
FIG. 4 is a top plan view thereof;
FIG. 5 is a bottom view thereof;
FIG. 6 is a left side view thereof; and,
FIG. 7 is a right side view thereof.

The portions of the article in broken lines are shown for
illustrative purposes only and form no part of the claimed
design.

1 Claim, 5 Drawing Sheets



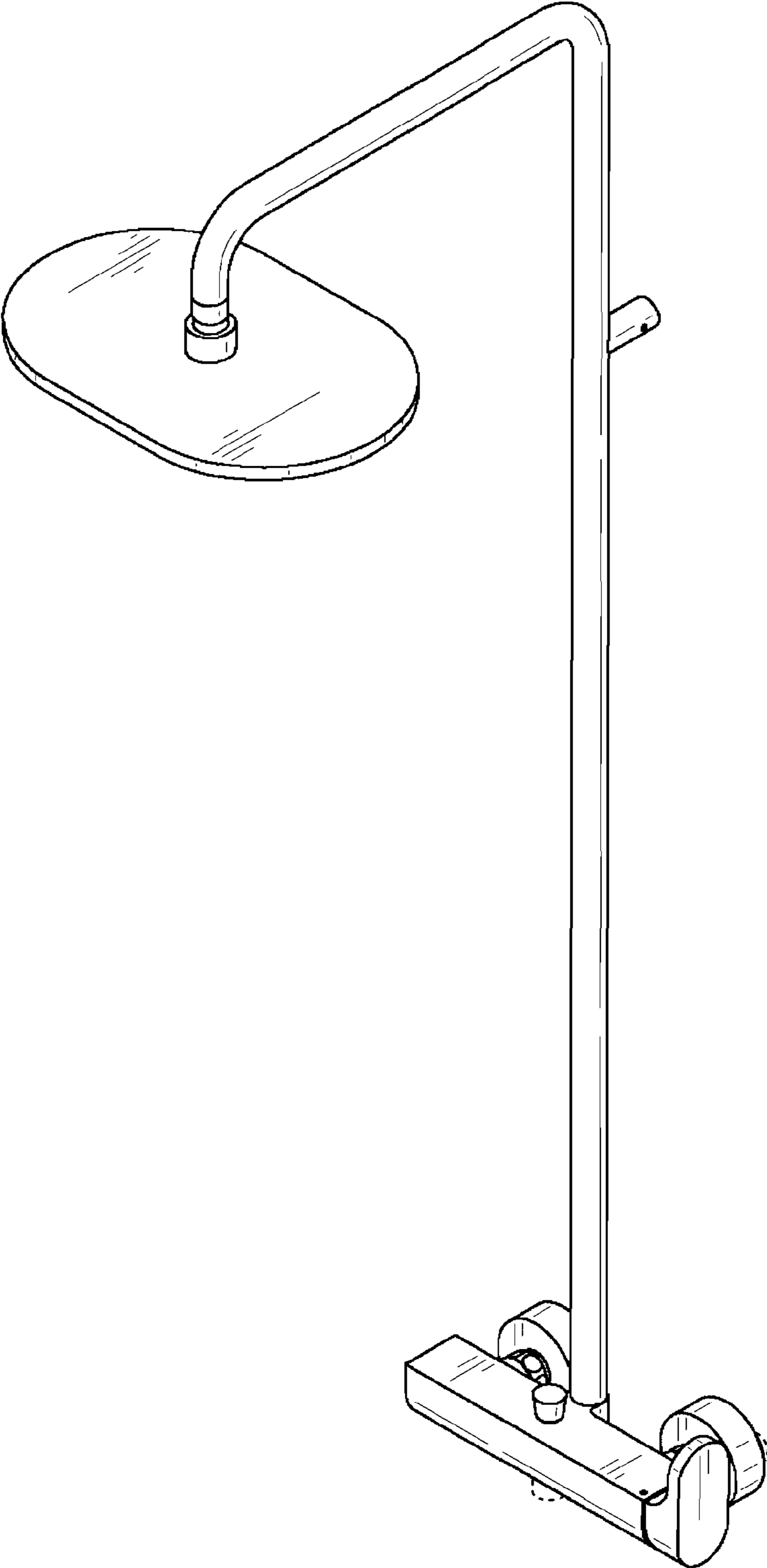


FIG. 1

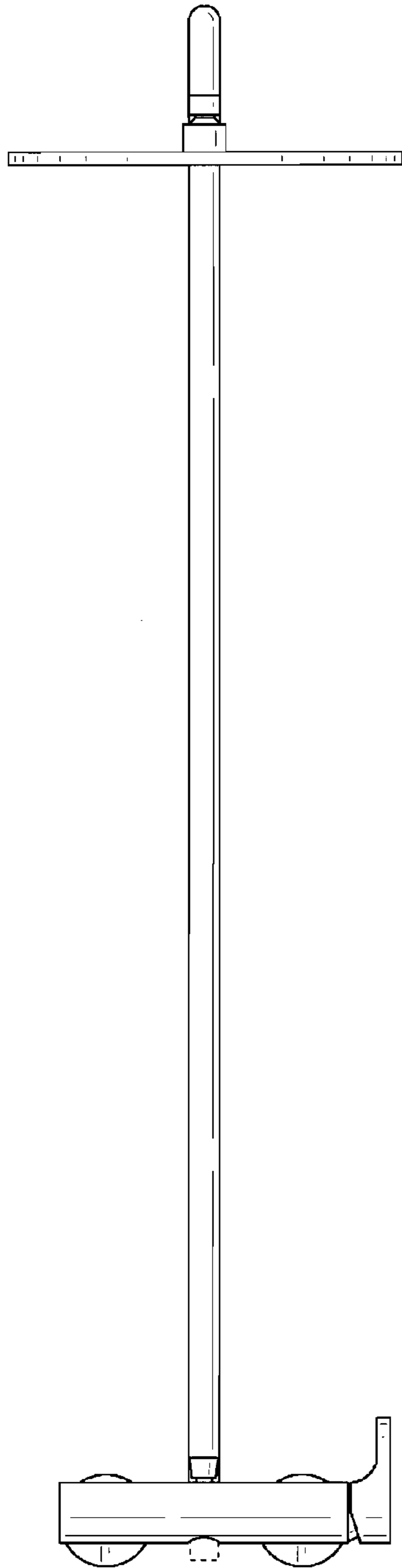


FIG. 2

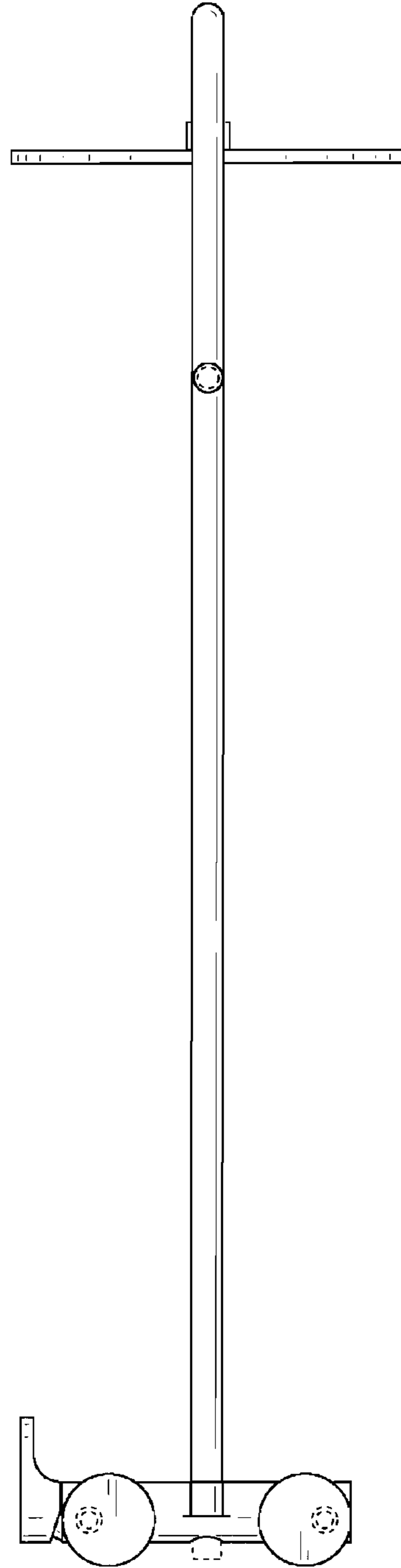


FIG. 3

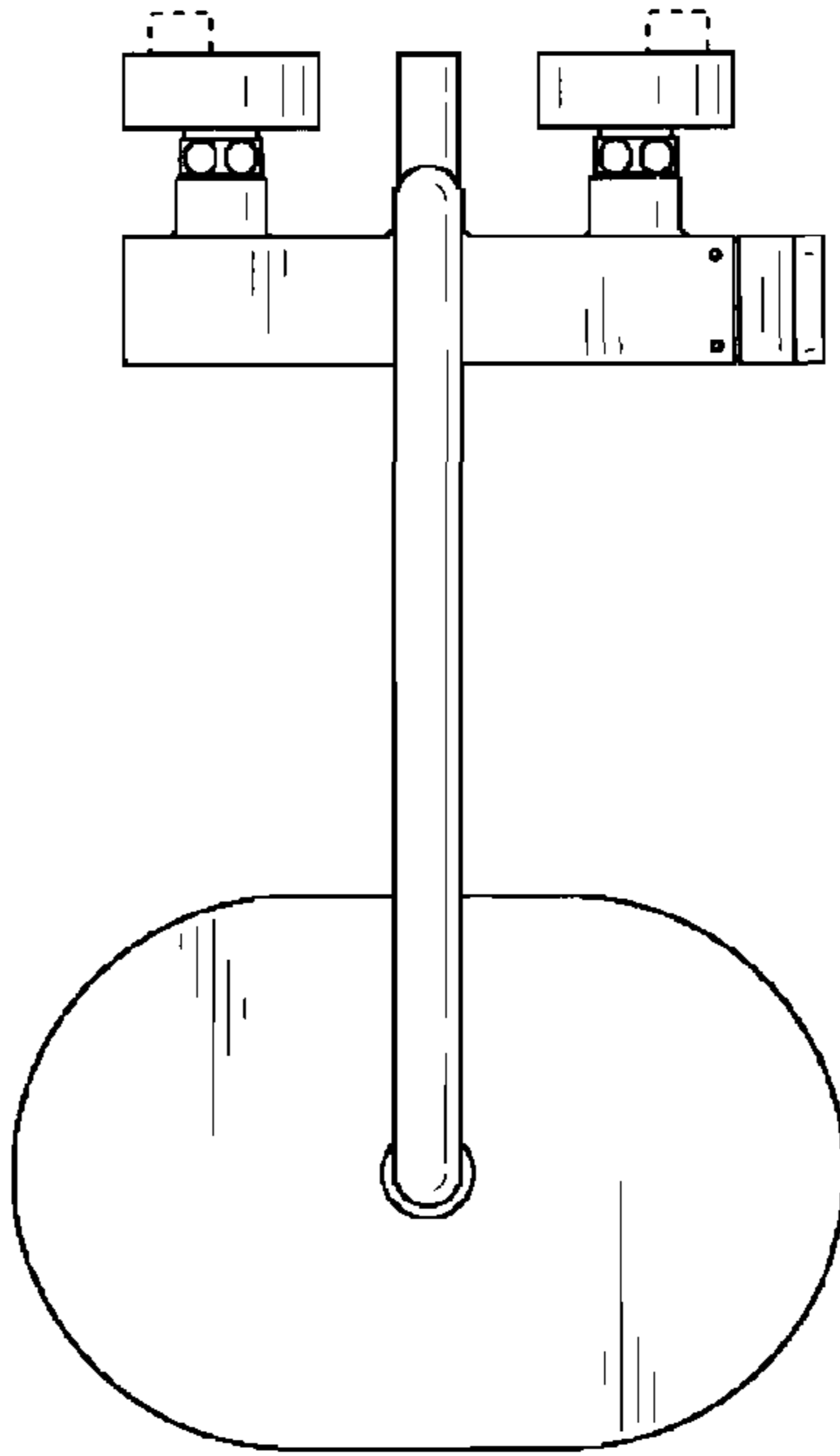


FIG. 4

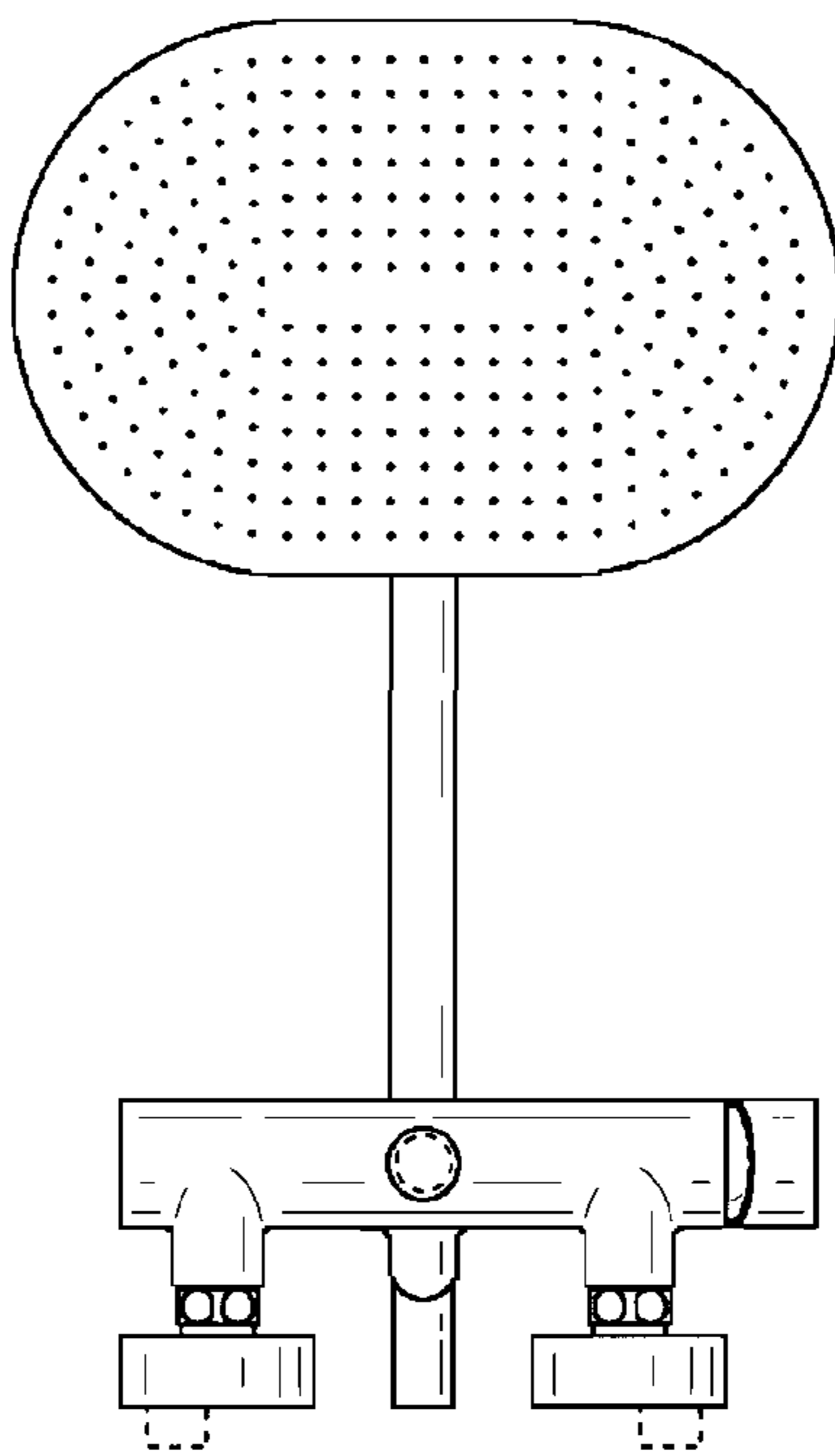


FIG. 5

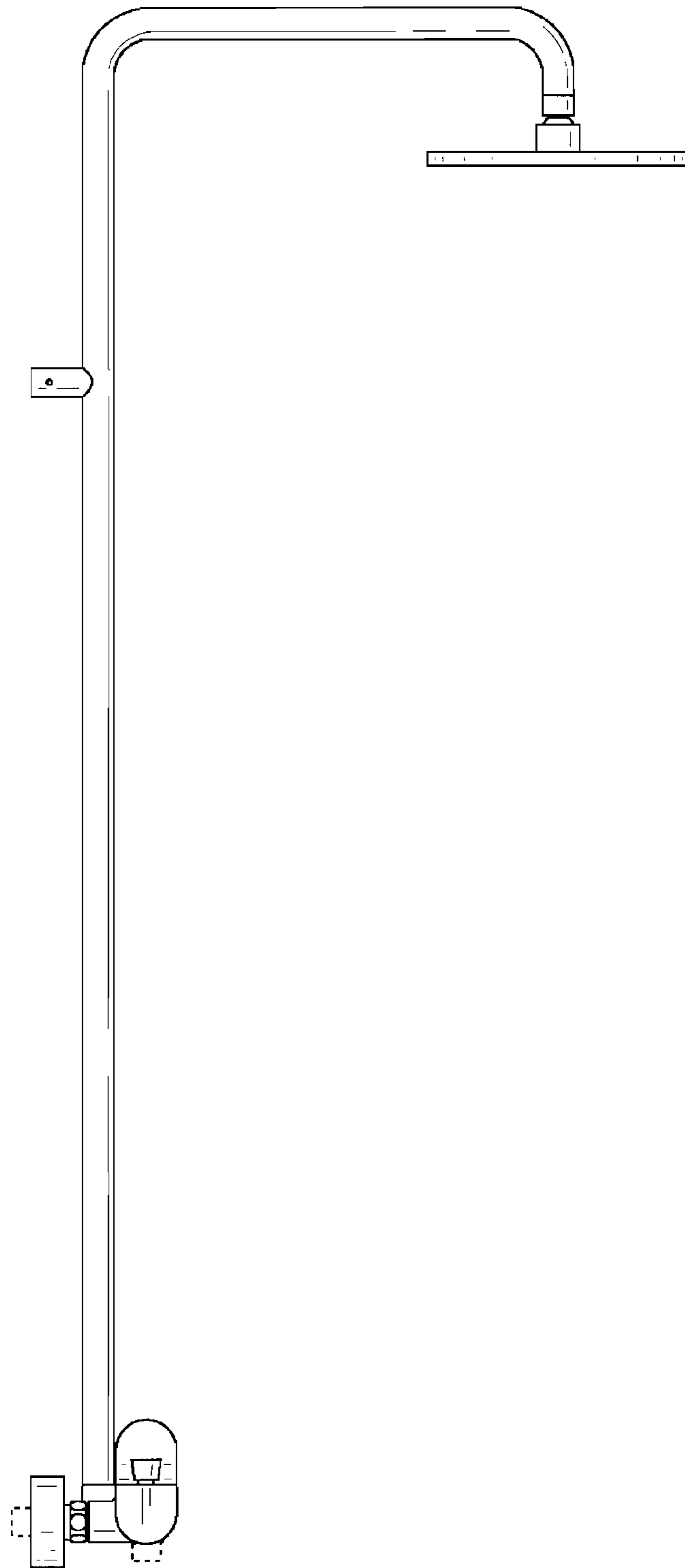


FIG. 6

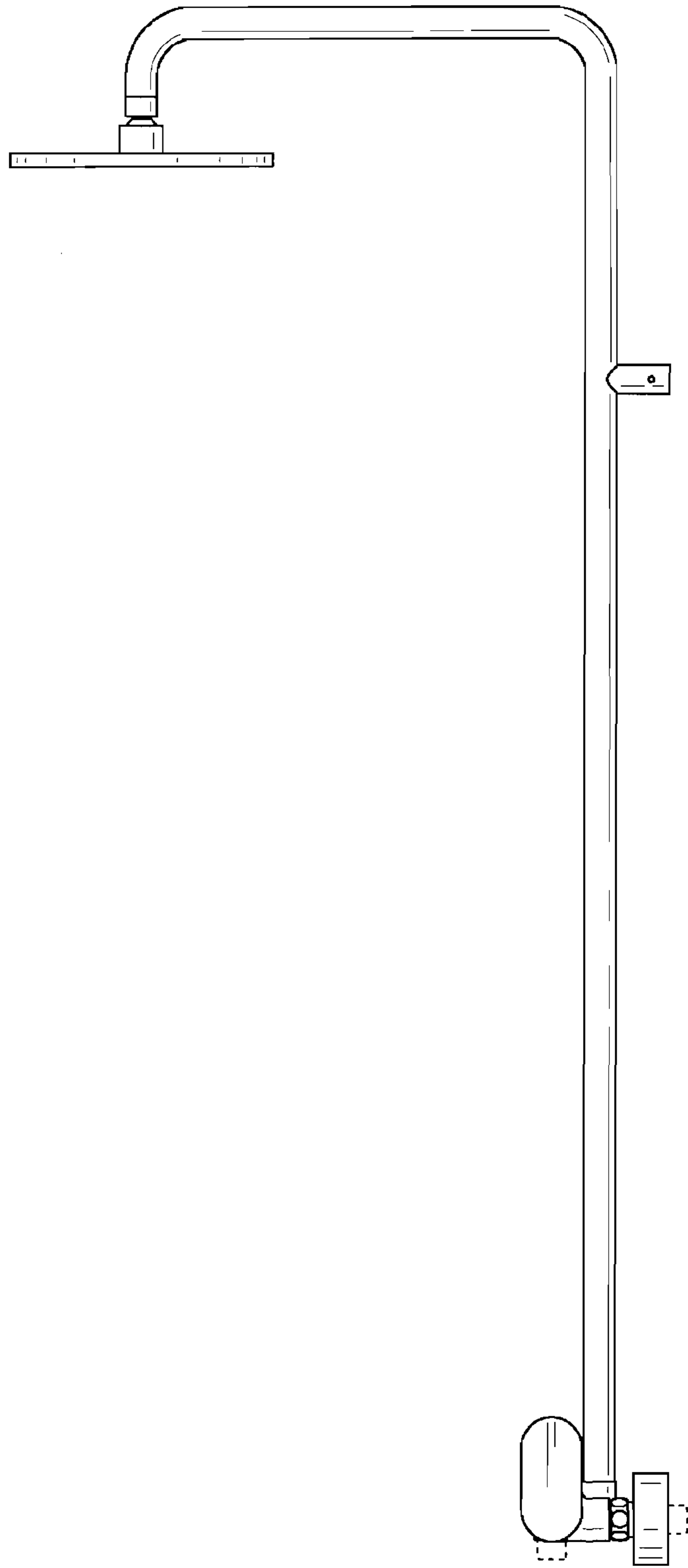


FIG. 7