



US00D638519S

(12) **United States Design Patent**
Ammons et al.

(10) **Patent No.:** **US D638,519 S**

(45) **Date of Patent:** **** May 24, 2011**

(54) **MISTING ARRAY FRAME STRUCTURE**

(75) Inventors: **Mark Ammons**, New Albany, IN (US);
Donald W. Shepherd, Shelbyville, KY
(US)

(73) Assignee: **Caldwell Tanks, Inc.**, Louisville, KY
(US)

(**) Term: **14 Years**

(21) Appl. No.: **29/362,444**

(22) Filed: **May 25, 2010**

(51) **LOC (9) Cl.** **23-01**

(52) **U.S. Cl.** **D23/213; D25/60**

(58) **Field of Classification Search** D23/213,
D23/228; 239/548, 550, 566; 261/115; D25/60
See application file for complete search history.

(56) **References Cited**

U.S. PATENT DOCUMENTS

2,802,543	A	8/1957	Clark	
3,419,251	A *	12/1968	Eckert	261/40
3,522,000	A	7/1970	Kinney	
4,211,735	A	7/1980	Berlin	
4,247,308	A	1/1981	Calvert et al.	
4,343,771	A	8/1982	Edwards et al.	

(Continued)

FOREIGN PATENT DOCUMENTS

WO 98047604 10/1998

OTHER PUBLICATIONS

Shepherd, Donald W.; Fraser, Donald; Impact of Heat Rate, Emissions and Reliability from the Application of Wet Compression on Combustion Turbines; 2005; pp. 1-6; US.

Jolly, Sanjeev; Wet Compression—A Powerful Means of Enhancing Combustion Turbine Capacity; Presented at Power-Gen International; Dec. 2002; pp. 1-12; Florida, US.

(Continued)

Primary Examiner — Robin V Webster

(74) *Attorney, Agent, or Firm* — Middleton Reutlinger; Robert H. Eichenberger; Scott W. Higdon

(57) **CLAIM**

The ornamental design for a misting array frame structure, as shown and described.

DESCRIPTION

This application is related to the following co-pending applications: application Ser. No. 12/787,243, filed May 25, 2010 and entitled Removable Misting Array for an Abatement System; application Ser. No. 12/787,374, filed May 25, 2010 and entitled System and Method for Repairing or Servicing a Misting Array Assembly of an Abatement System; application Ser. No. 12/787,372, filed May 25, 2010 and entitled Misting Array Assembly Having Adjustable Nozzles; application Ser. No. 12/787,373, filed May 25, 2010 and entitled Misting Array Assembly Having Upwardly and Downwardly Disposed Nozzles; application Ser. No. 29/362,440, filed May 25, 2010 and entitled Nozzle Tubing Having Offset Nozzles; application Ser. No. 29/362,443, filed May 25, 2010 and also entitled Nozzle Tubing Having Offset Nozzles; and application Ser. No. 29/362,442, filed May 25, 2010 and entitled Sealing Structure for Blocking an Opening.

FIG. 1 is a front upper perspective view of a misting array frame structure of the present invention;

FIG. 2 is a rear upper perspective view of the misting array frame structure of FIG. 1;

FIG. 3 is a front plan view of the misting array frame structure of FIG. 1;

FIG. 4 is a left side view of the misting array frame structure of FIG. 1;

FIG. 5 is a right side view of the misting array frame structure of FIG. 1;

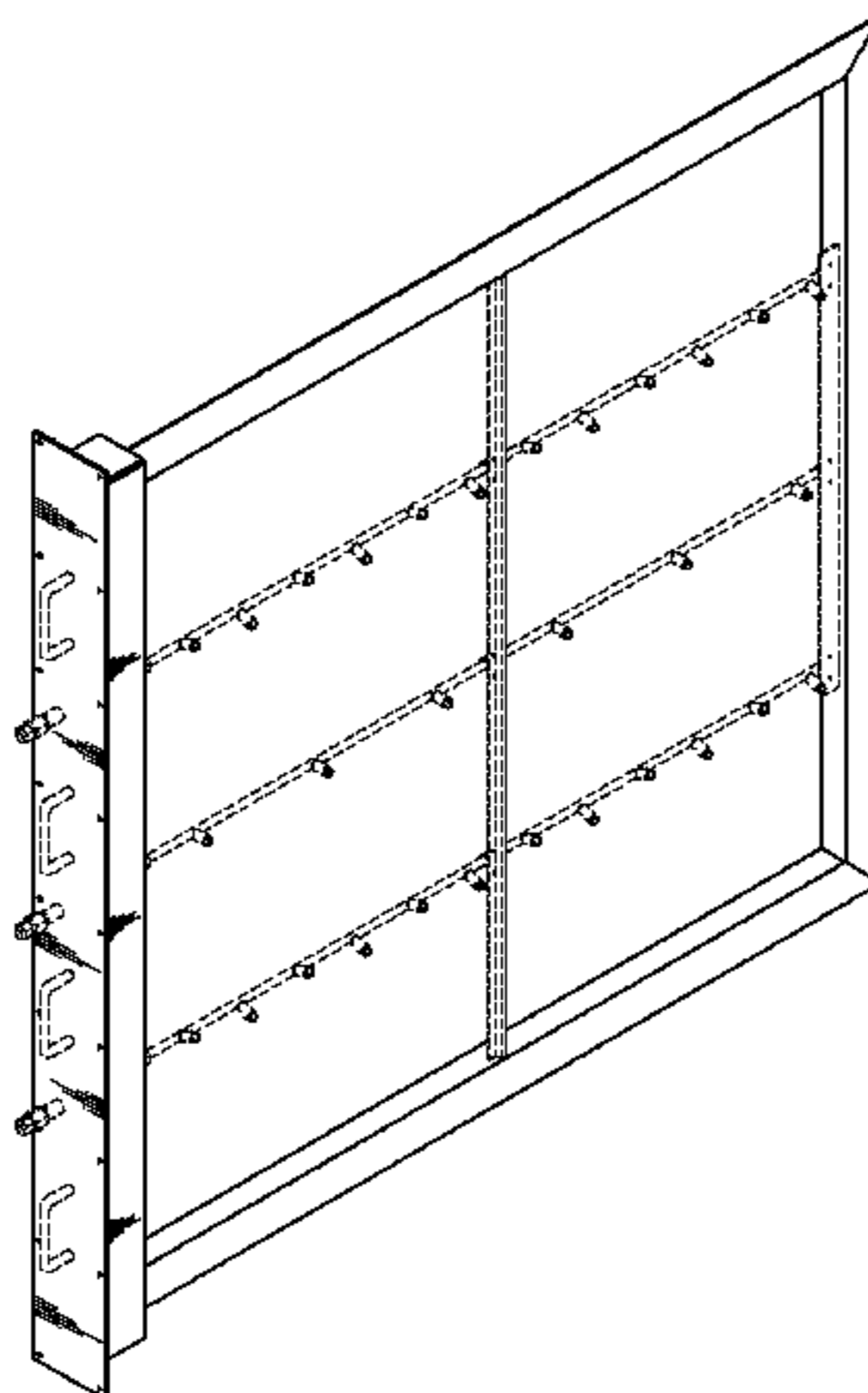
FIG. 6 is a rear plan view of the misting array frame structure of FIG. 1;

FIG. 7 is a top view of the misting array frame structure of FIG. 1; and,

FIG. 8 is a bottom view of the misting array frame structure of FIG. 1.

The broken lines showing environmental structure are for illustrative purposes only and form no part of the claimed design.

1 Claim, 8 Drawing Sheets



US D638,519 S

Page 2

U.S. PATENT DOCUMENTS

D310,860	S *	9/1990	Delepine	D23/213
D311,053	S *	10/1990	Delepine	D23/213
D311,054	S *	10/1990	Delepine	D23/213
4,980,099	A	12/1990	Myers et al.		
5,065,944	A *	11/1991	D'Amato	239/550
D353,873	S *	12/1994	Schoeneman	D23/213
5,387,376	A	2/1995	Gasser		
5,465,537	A *	11/1995	Fullwood	52/202
5,523,028	A	6/1996	Reens et al.		
5,651,502	A *	7/1997	Edwards	239/450
5,867,977	A	2/1999	Zachary et al.		
5,930,990	A	8/1999	Zachary et al.		
6,007,604	A *	12/1999	Risse	95/13
6,051,055	A *	4/2000	Ukawa et al.	96/322
6,076,739	A	6/2000	Littleford et al.		
6,230,091	B1 *	5/2001	McQuinn	701/50
6,344,177	B1	2/2002	Littleford		
6,613,133	B2 *	9/2003	Piaskowski et al.	96/322
6,719,829	B1	4/2004	Schwab		
6,857,268	B2	2/2005	Stinger et al.		
D503,772	S *	4/2005	Mody et al.	D23/213
6,946,021	B2	9/2005	Aoyagi		
7,096,665	B2	8/2006	Stinger et al.		
D588,711	S *	3/2009	Ryba	D25/60
D616,110	S *	5/2010	Rimsky et al.	D25/60
2009/0320440	A1	12/2009	Erickson et al.		

OTHER PUBLICATIONS

Gajjar, Hemant; Chaker, Mustapha; Dighe, Ajay; Meher-Homji, Cyrus B.; Proceedings of ASME Turbo Expo 2003; Inlet Fogging for a 655 MW Combined Cycle Power Plant-Design, Implementation and Operation Experience; Jun. 2003; pp. 1-9; Georgia, US.

* cited by examiner

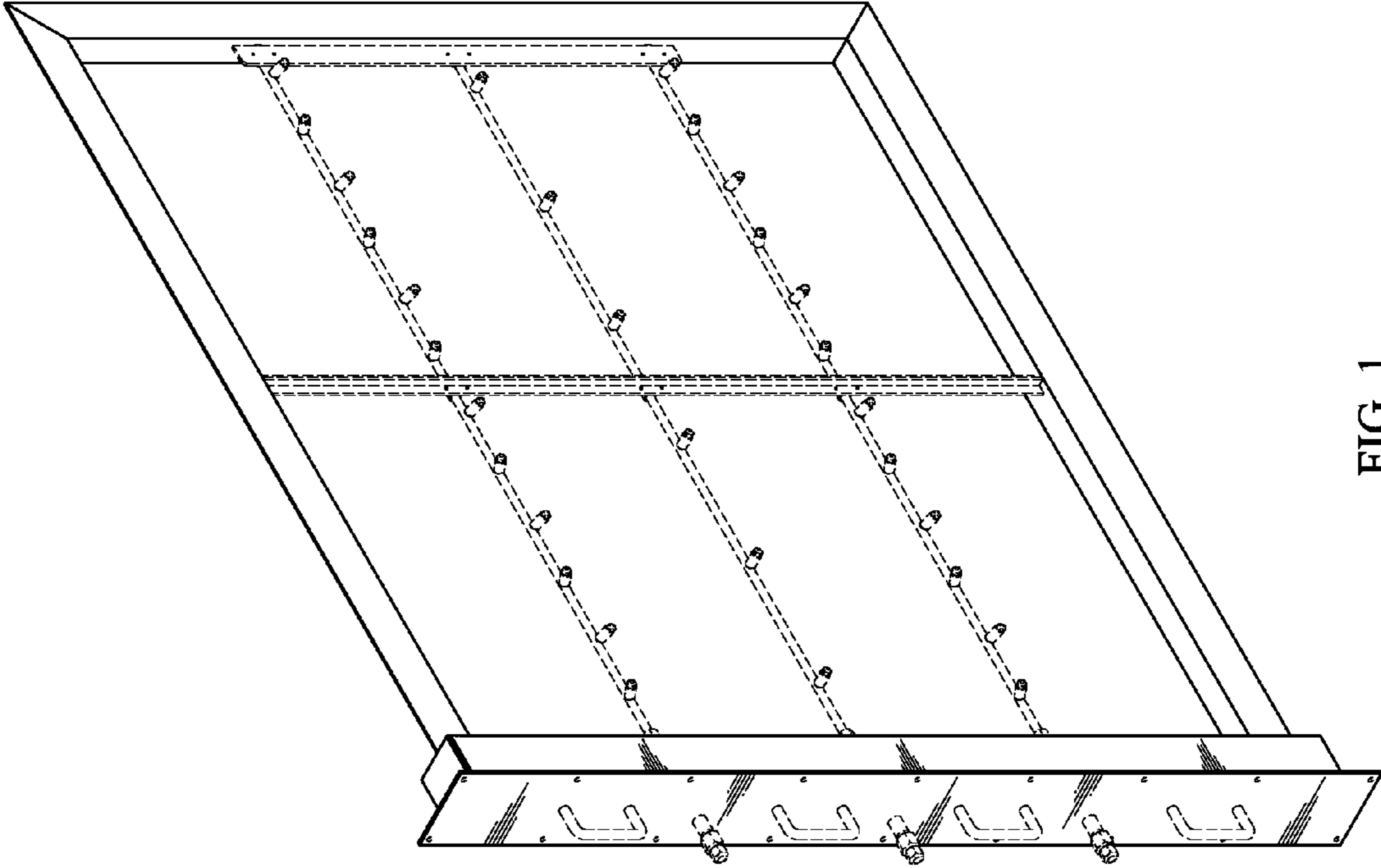


FIG. 1

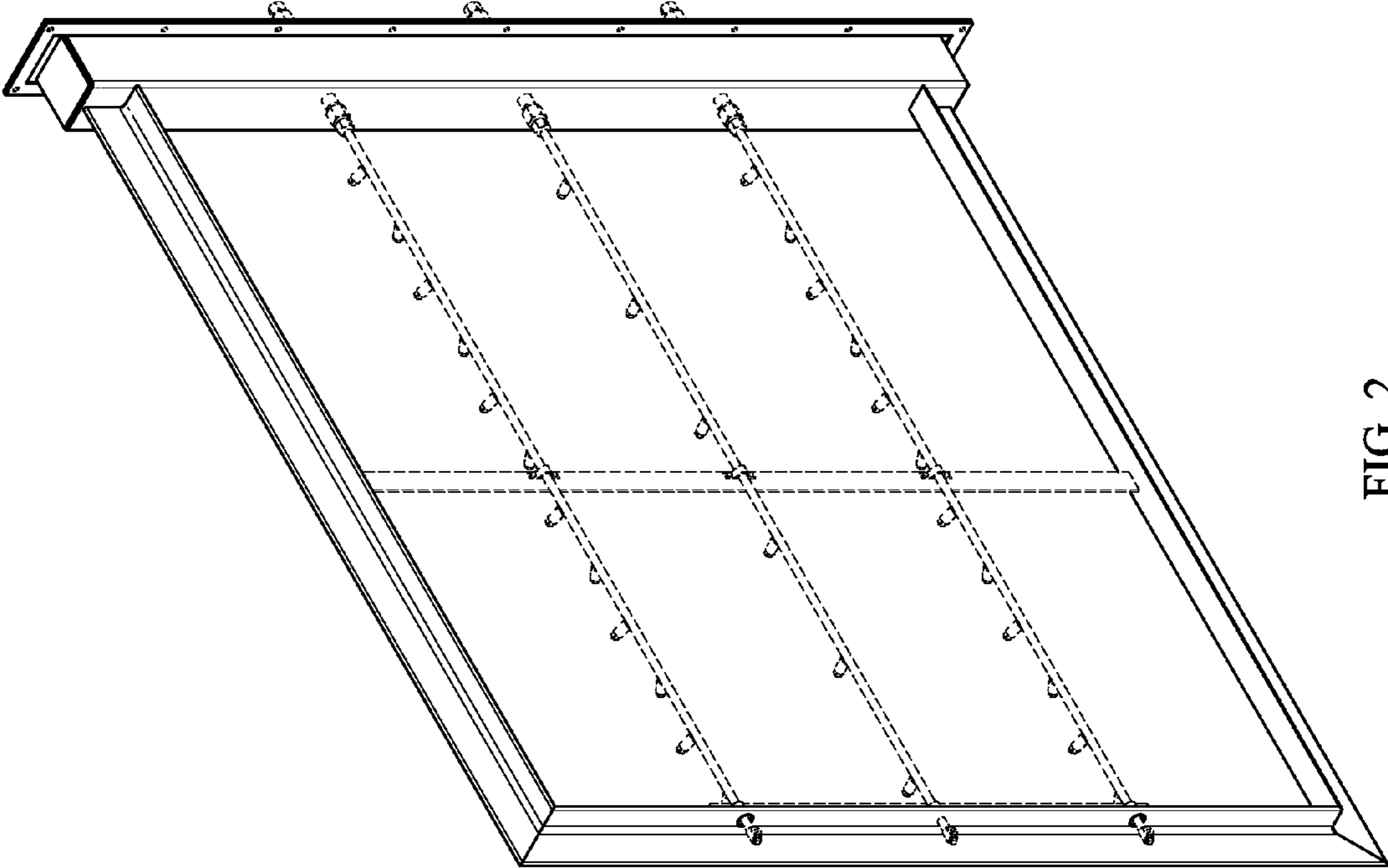


FIG. 2

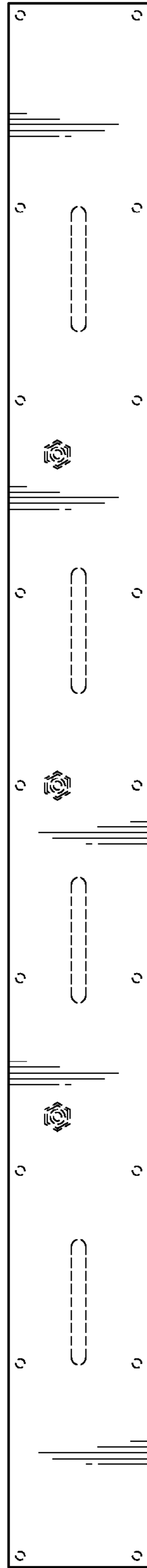


FIG. 3

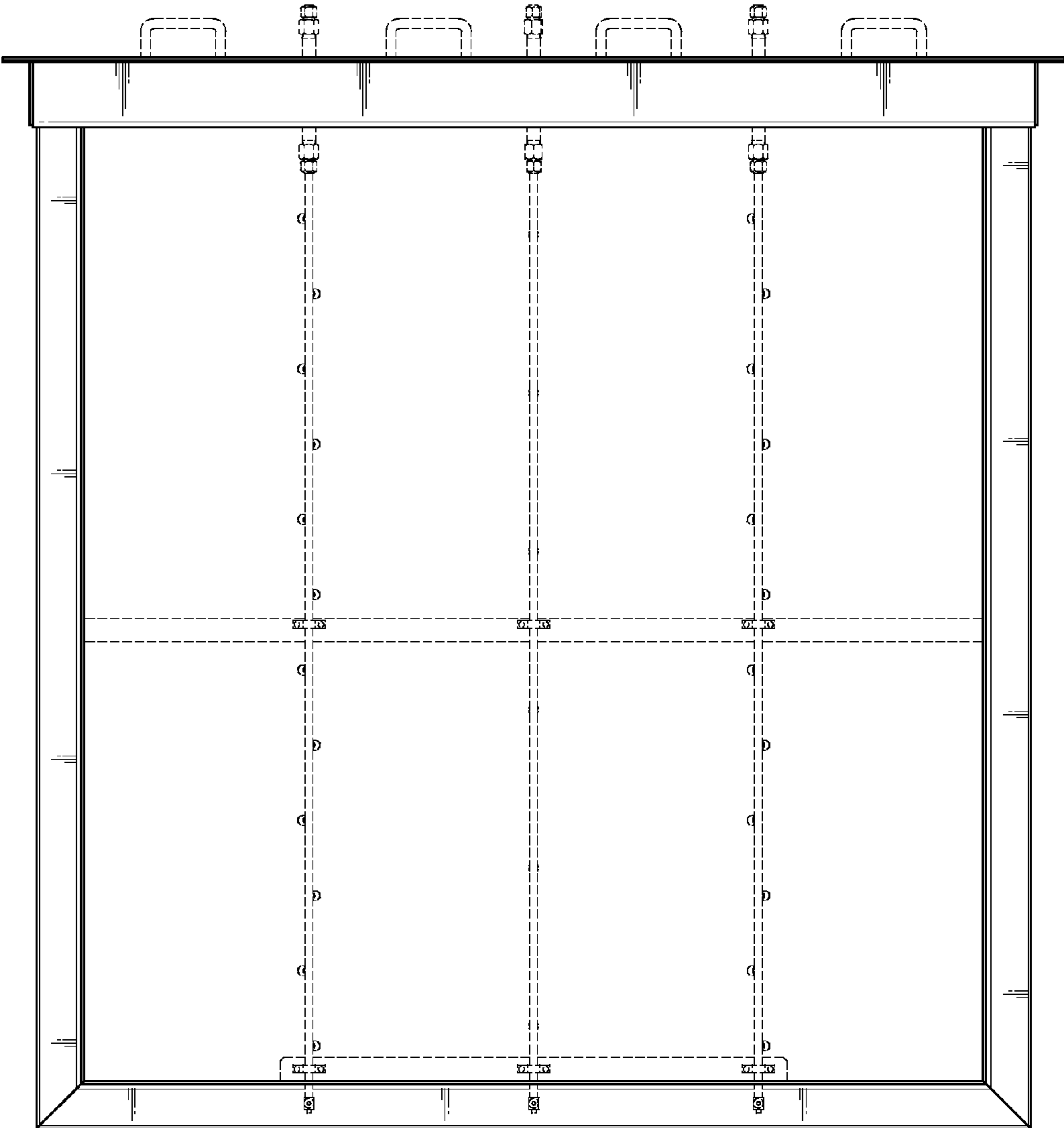


FIG. 4

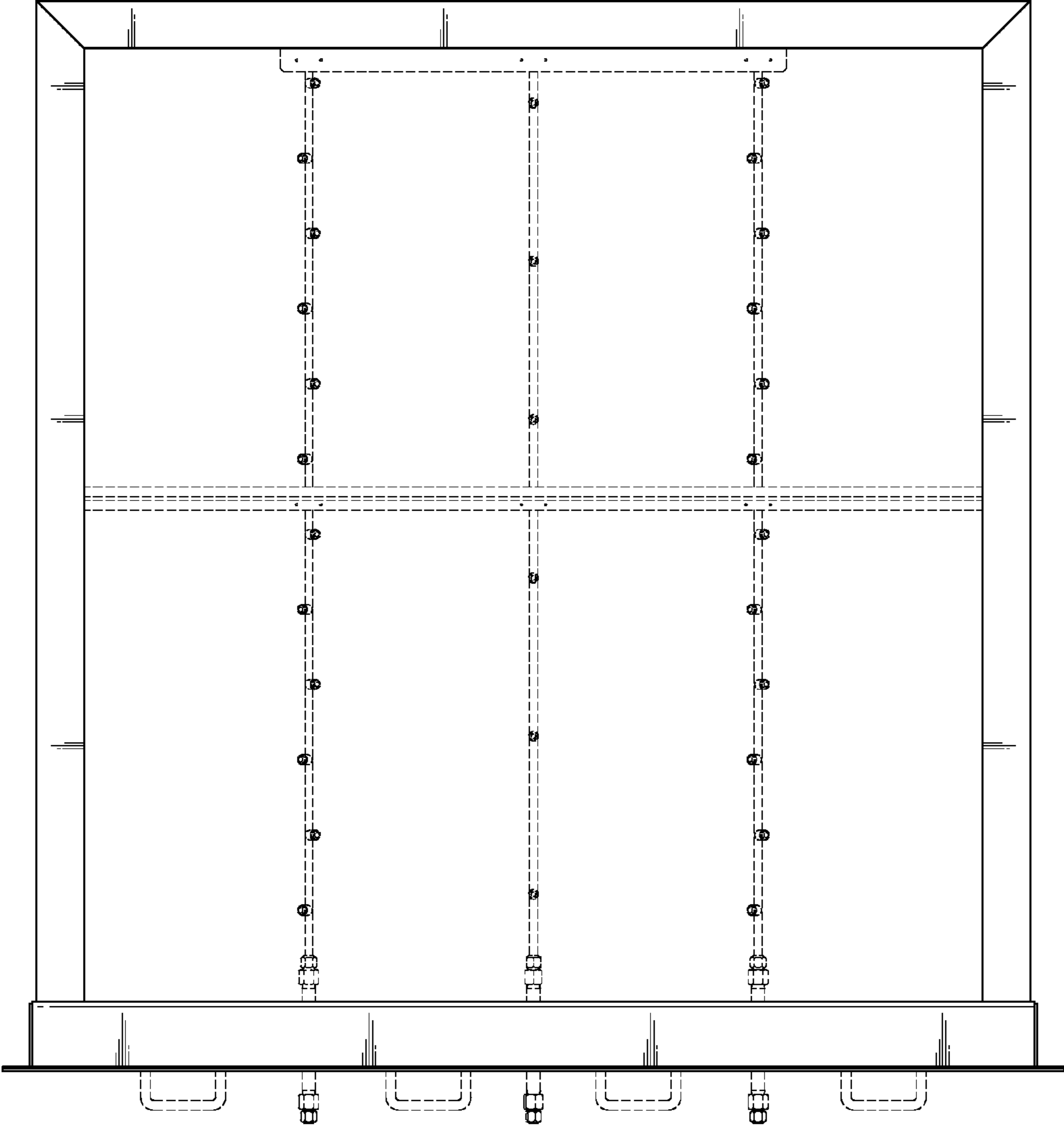


FIG. 5

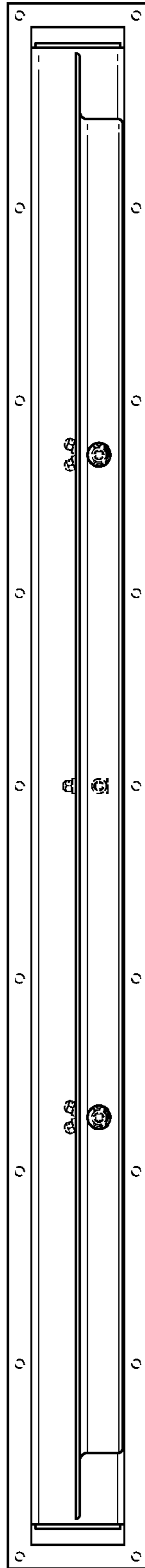


FIG. 6

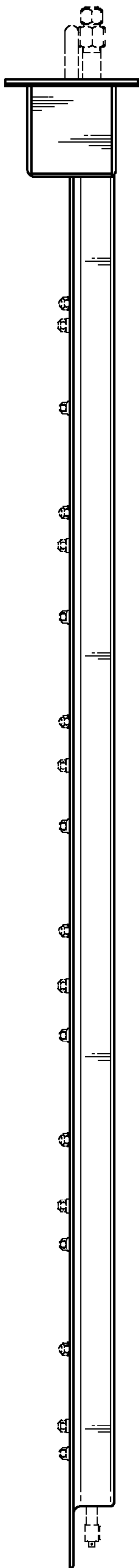


FIG. 7

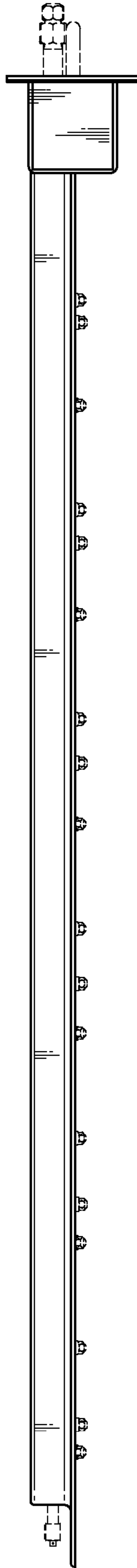


FIG. 8