



US00D638517S

(12) **United States Design Patent**
Greenway-Balnar et al.

(10) **Patent No.:** **US D638,517 S**

(45) **Date of Patent:** **** May 24, 2011**

(54) **WATER FILTER**

(75) Inventors: **Laura Lynn Greenway-Balnar**,
Puslinch (CA); **Douglas Dawson**
Greenway, Guelph (CA)

(73) Assignee: **Greenway Home Products Ltd.**,
Guelph, Ontario (CA)

(**) Term: **14 Years**

(21) Appl. No.: **29/377,005**

(22) Filed: **Oct. 15, 2010**

(51) **LOC (9) Cl.** **23-01**

(52) **U.S. Cl.** **D23/209**

(58) **Field of Classification Search** D23/207,
D23/209; 210/238, 455, 473, 474, 475, 477
See application file for complete search history.

(56) **References Cited**

U.S. PATENT DOCUMENTS

4,022,693	A *	5/1977	Morgan, Jr.	210/345
4,526,689	A *	7/1985	Morgan	210/323.2
5,951,865	A *	9/1999	Mayled	210/474
6,793,811	B1 *	9/2004	Fleischmann	210/163
7,670,479	B2 *	3/2010	Arett et al.	210/85

* cited by examiner

Primary Examiner — Robin Webster

(74) *Attorney, Agent, or Firm* — Christopher L. Parmelee;
Walker & Jocke

(57) **CLAIM**
The ornamental design for a water filter, as shown and
described.

DESCRIPTION

FIG. 1 is a front upper perspective view showing my new
design for a water filter.

FIG. 2 is a back upper perspective view thereof.

FIG. 3 is a front side plan view thereof.

FIG. 4 is a back side plan view thereof.

FIG. 5 is a left side plan view thereof.

FIG. 6 is a right side plan view thereof.

FIG. 7 is a top side plan view thereof.

FIG. 8 is a bottom side plan view thereof.

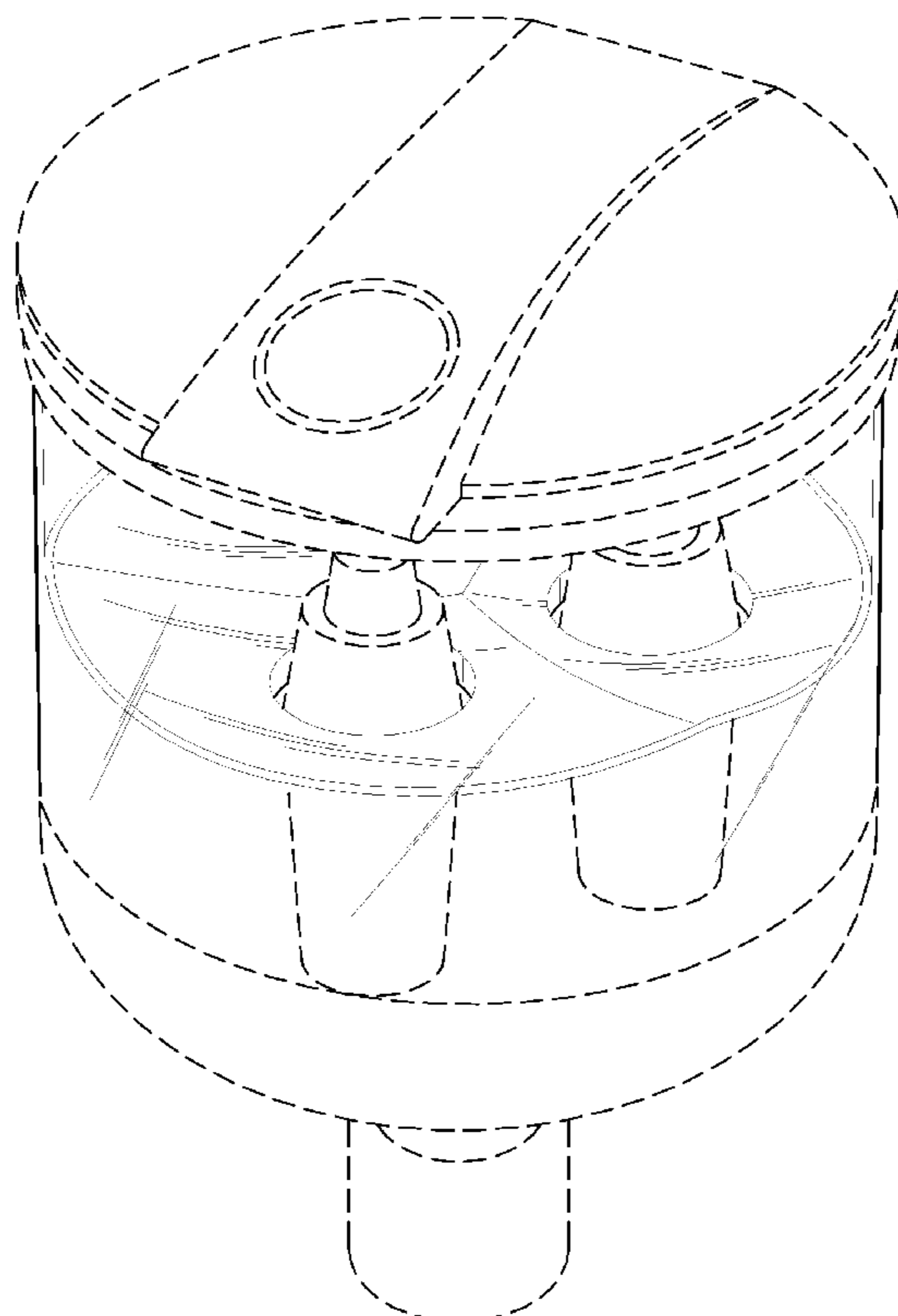
FIG. 9 is a cross-section plan view along lines 9—9 of FIG. 6.

FIG. 10 is a cross-section plan view along lines 10—10 of
FIG. 6; and,

FIG. 11 is a cross-section plan view along lines 11—11 of
FIG. 4.

The broken lines adjacent the shaded areas represent the
boundaries of the claimed design, while the other broken lines
representing the outline of portions of the water filter depict
environmental subject matter only, and form no part of the
claimed design. The diagonal lines on the claimed design
represent transparent surfaces through which internal fea-
tures of the water filter are shown.

1 Claim, 11 Drawing Sheets



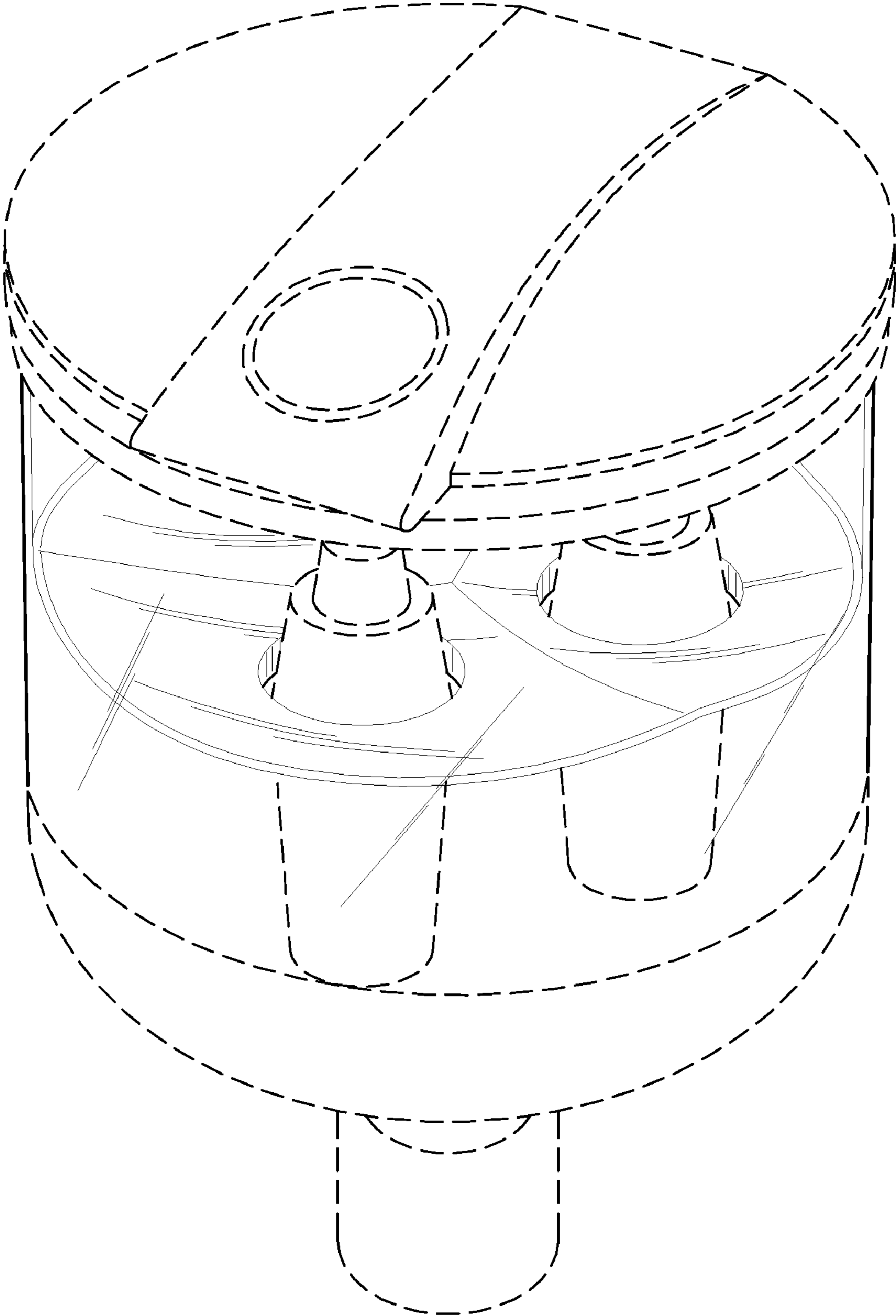


FIG. 1

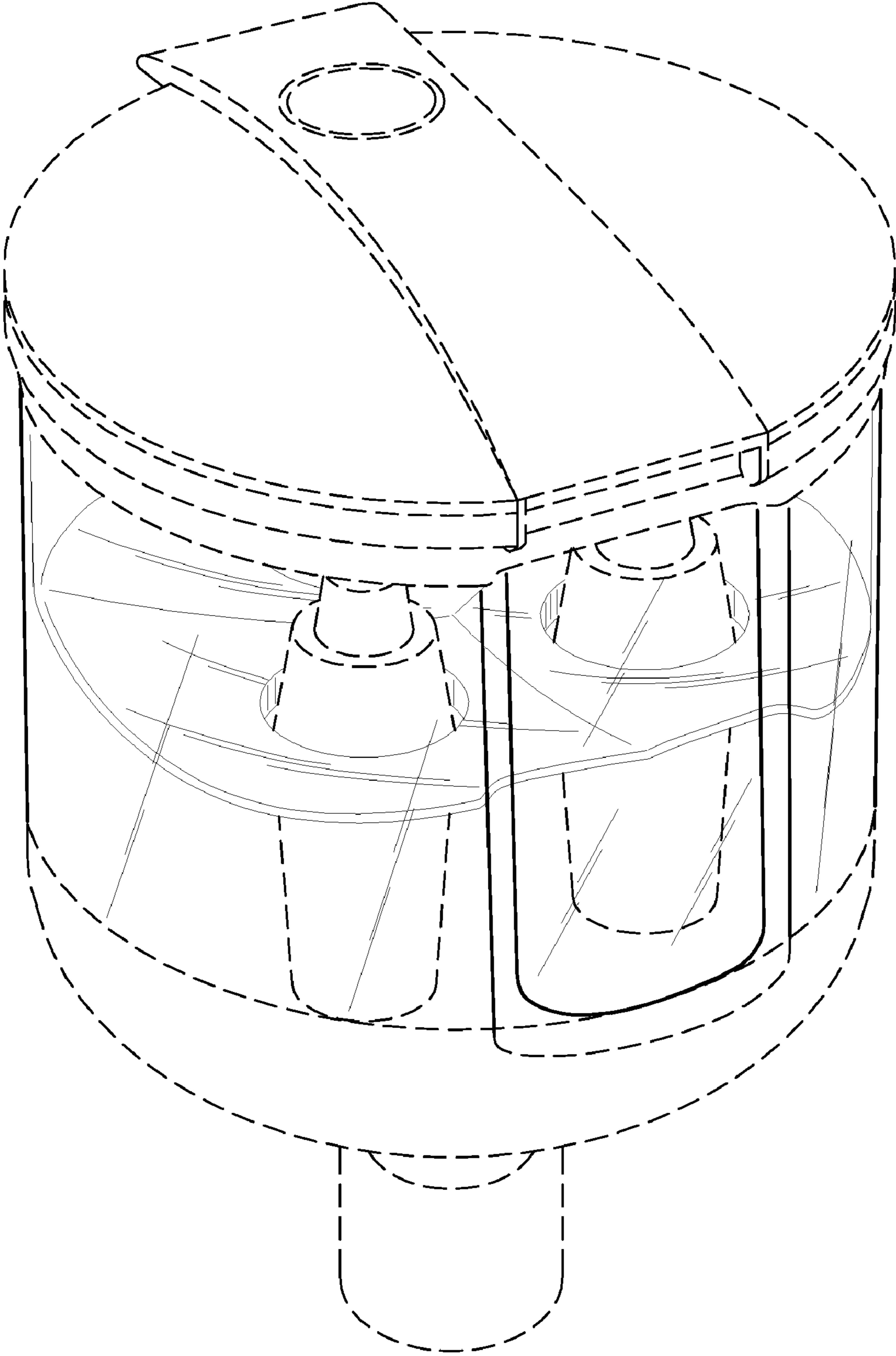


FIG. 2

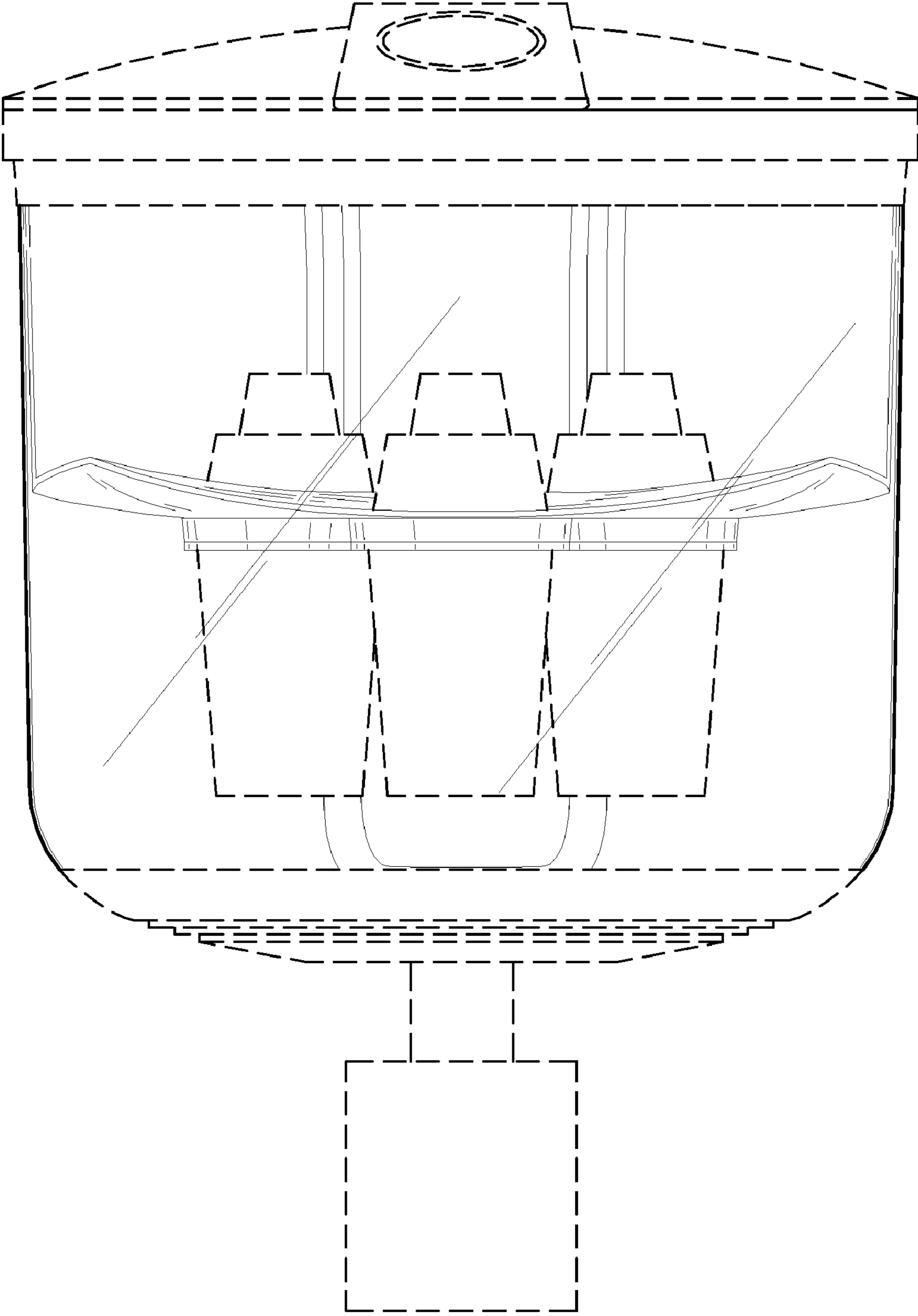


FIG. 3

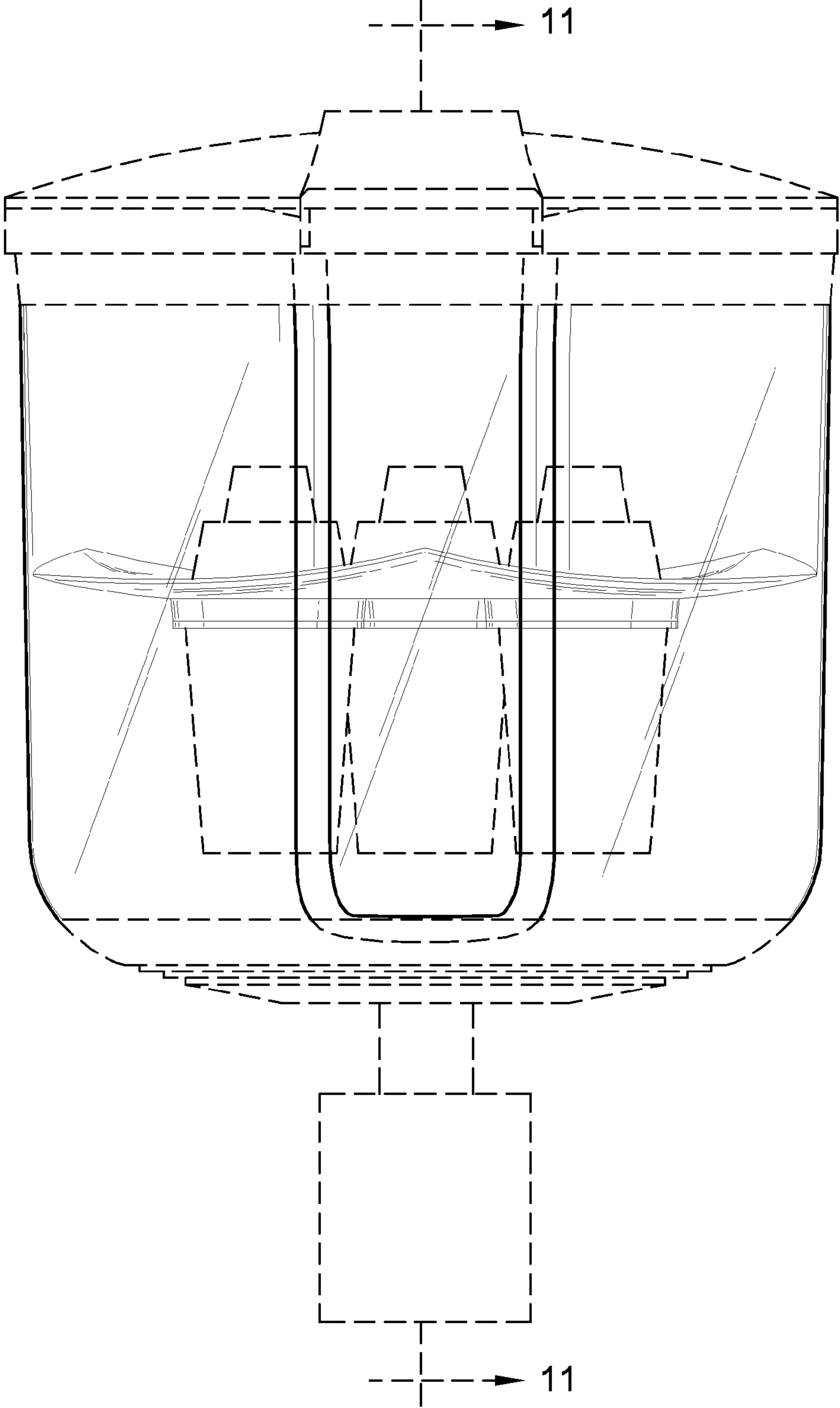


FIG. 4

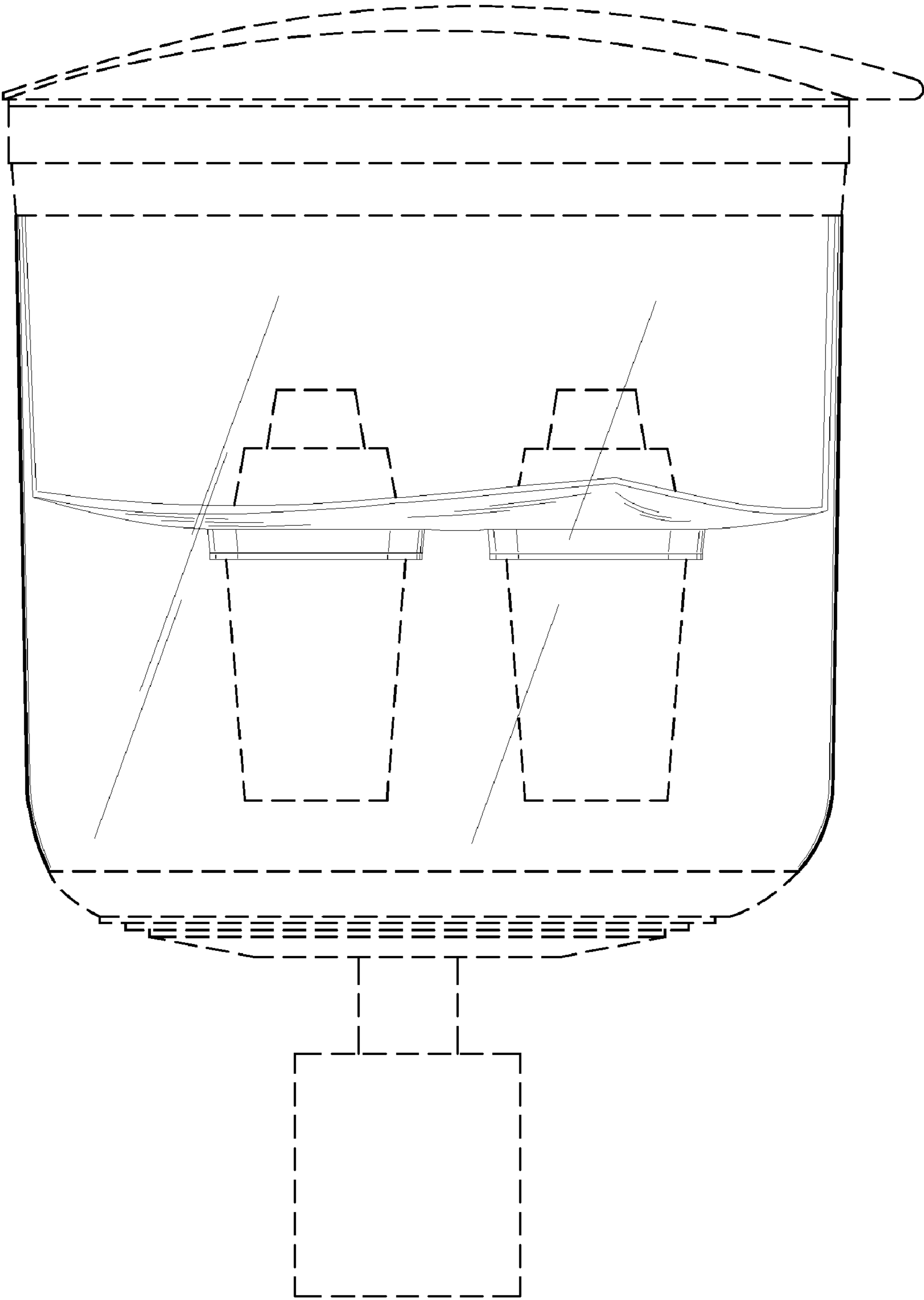


FIG. 5

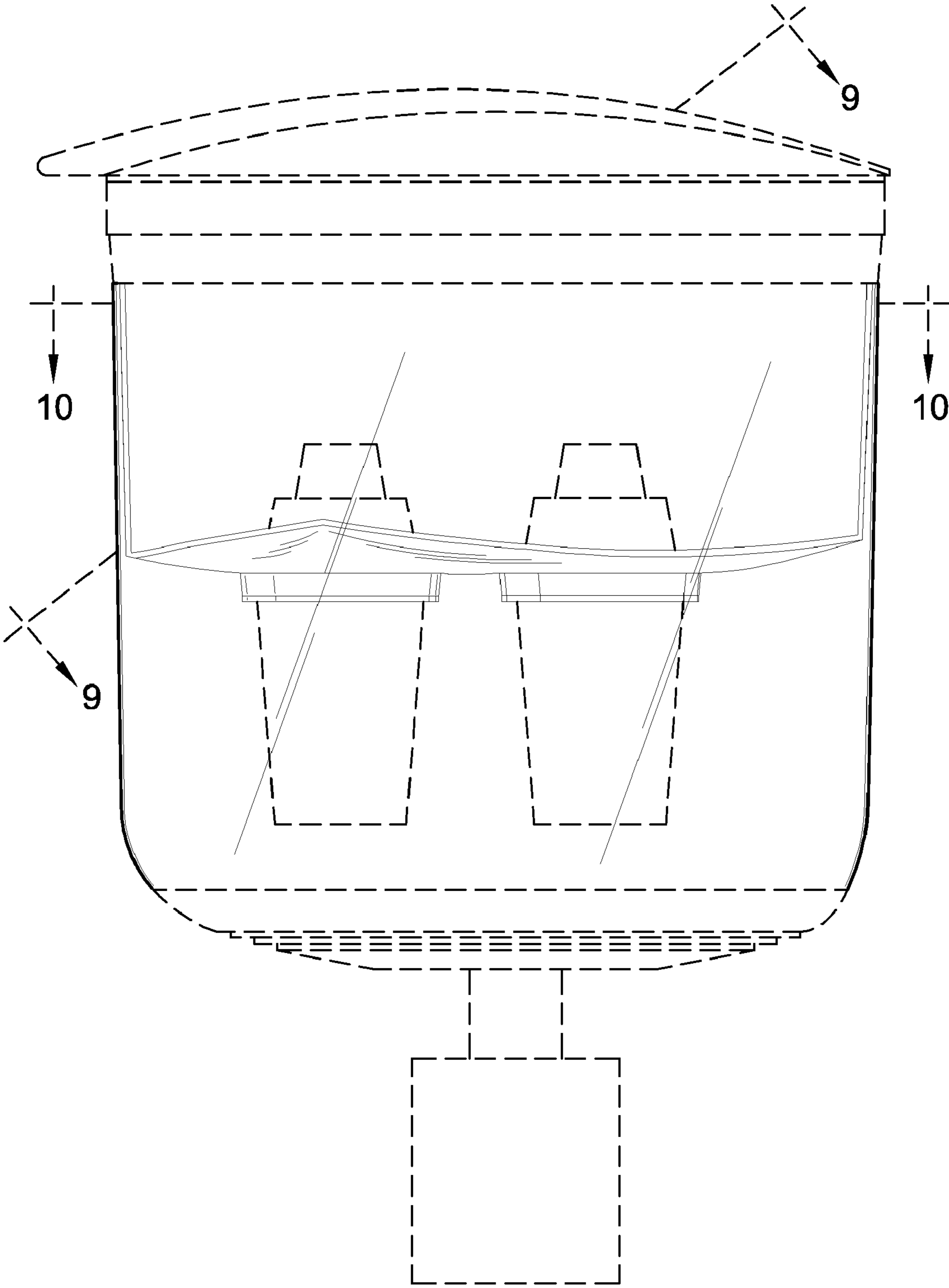


FIG. 6

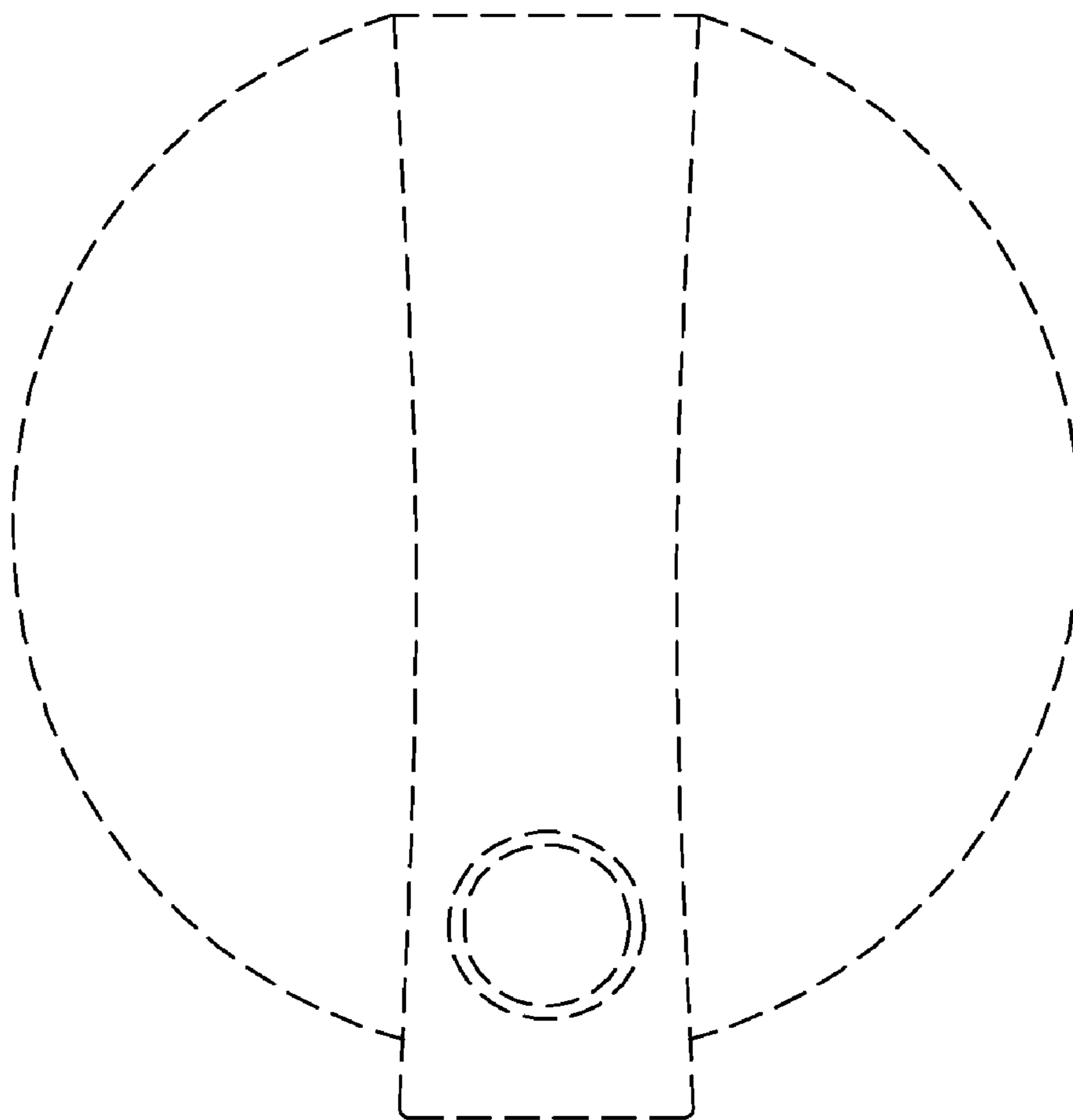


FIG. 7

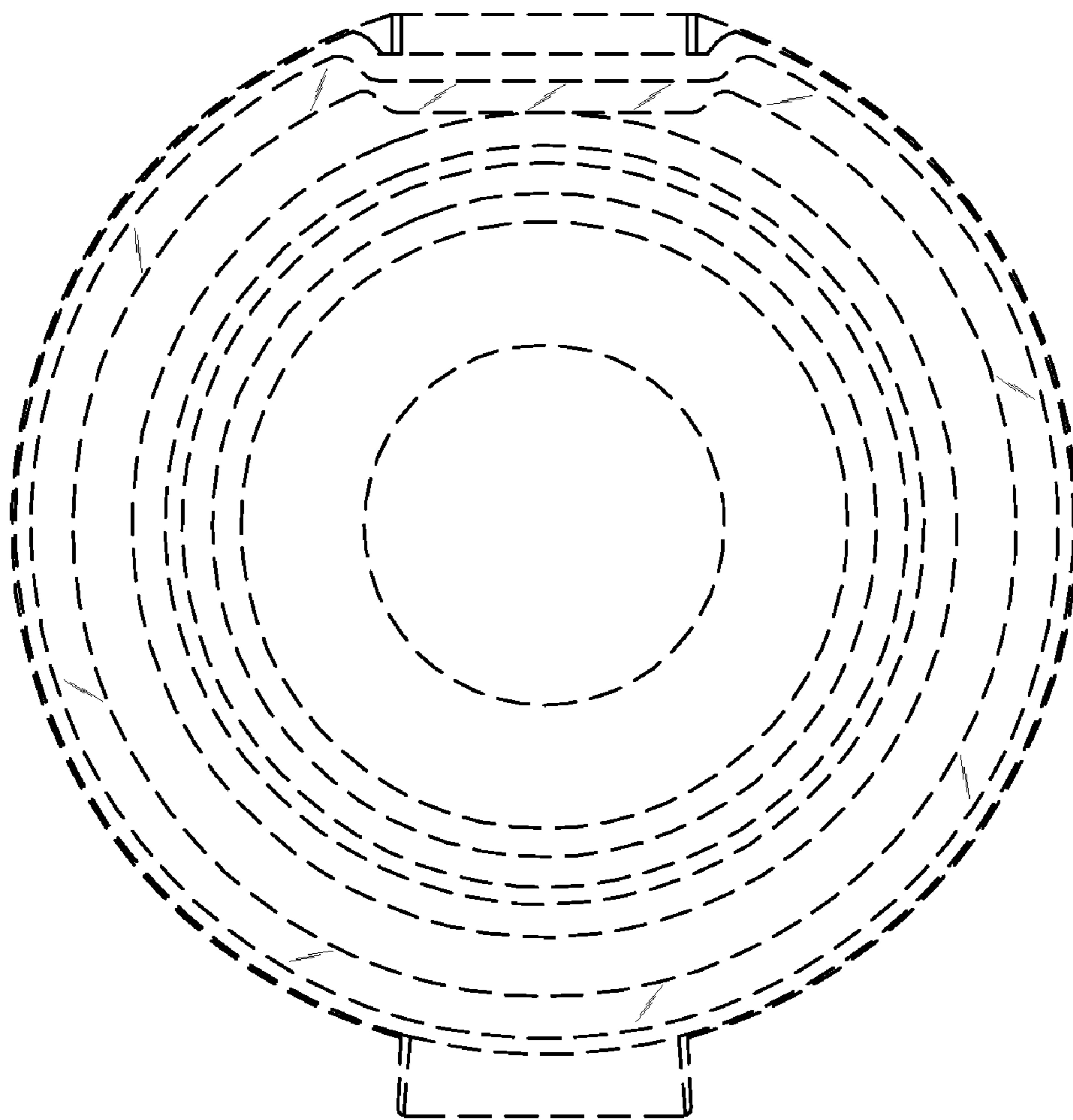


FIG. 8

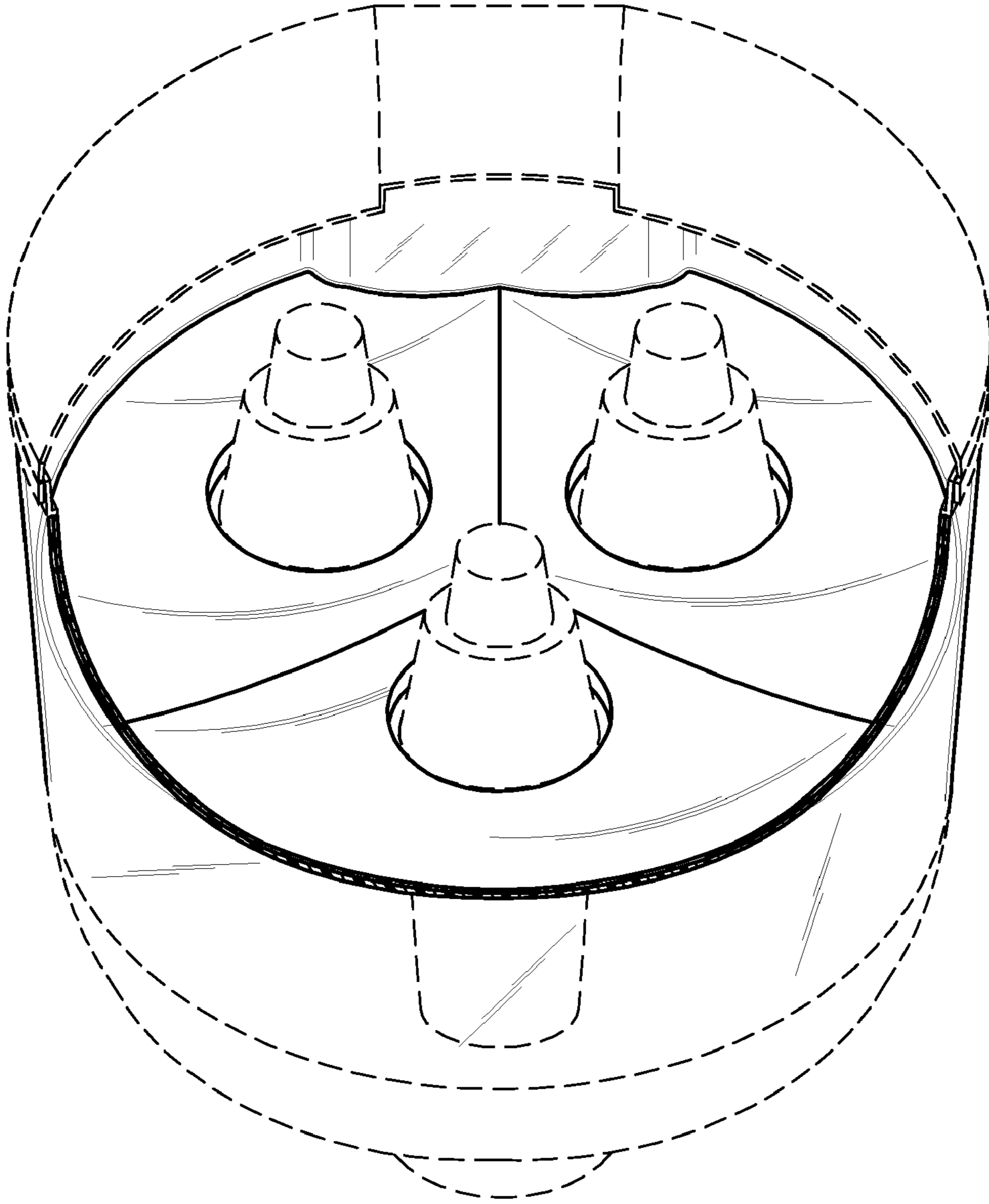


FIG. 9

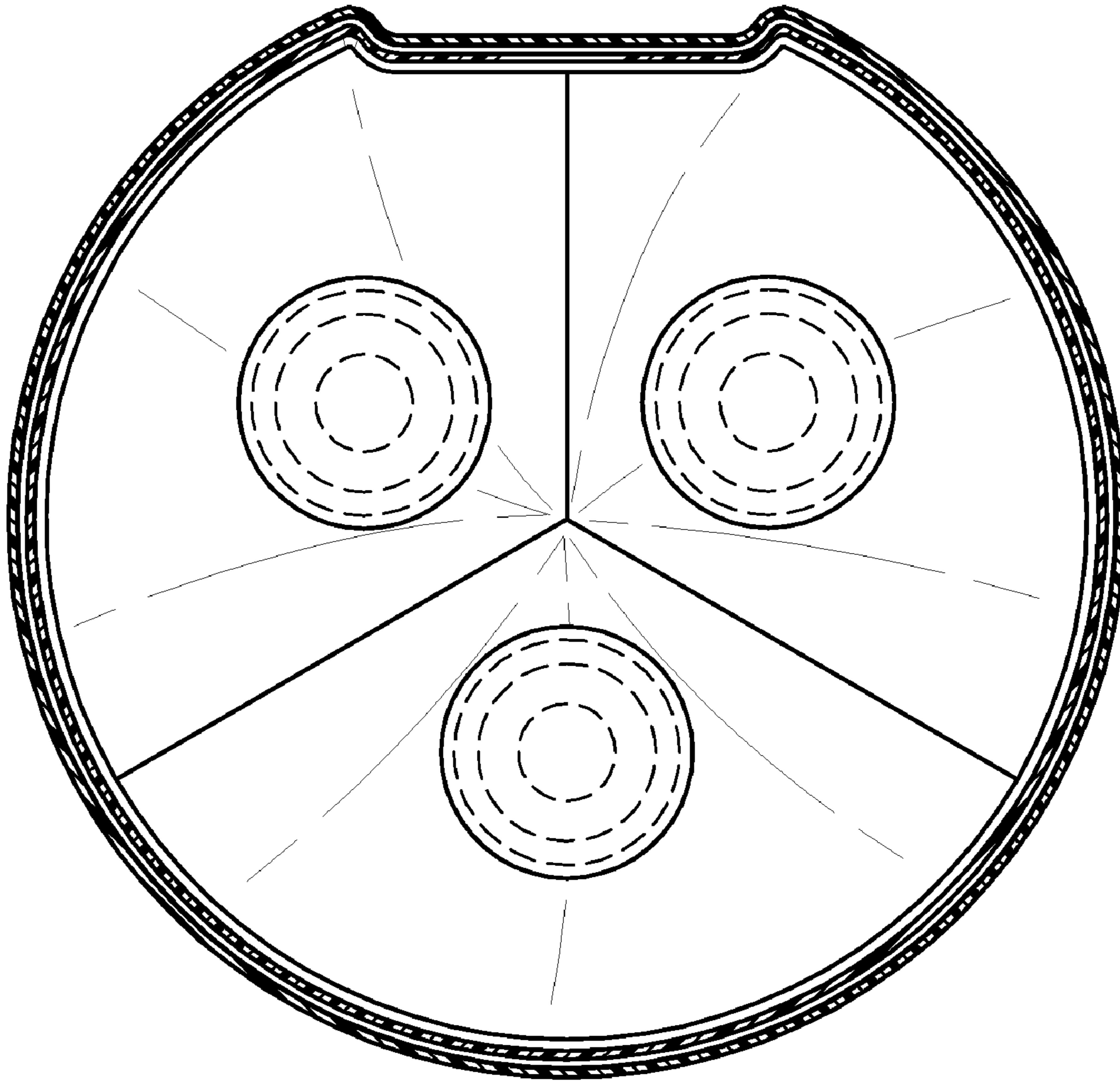


FIG. 10

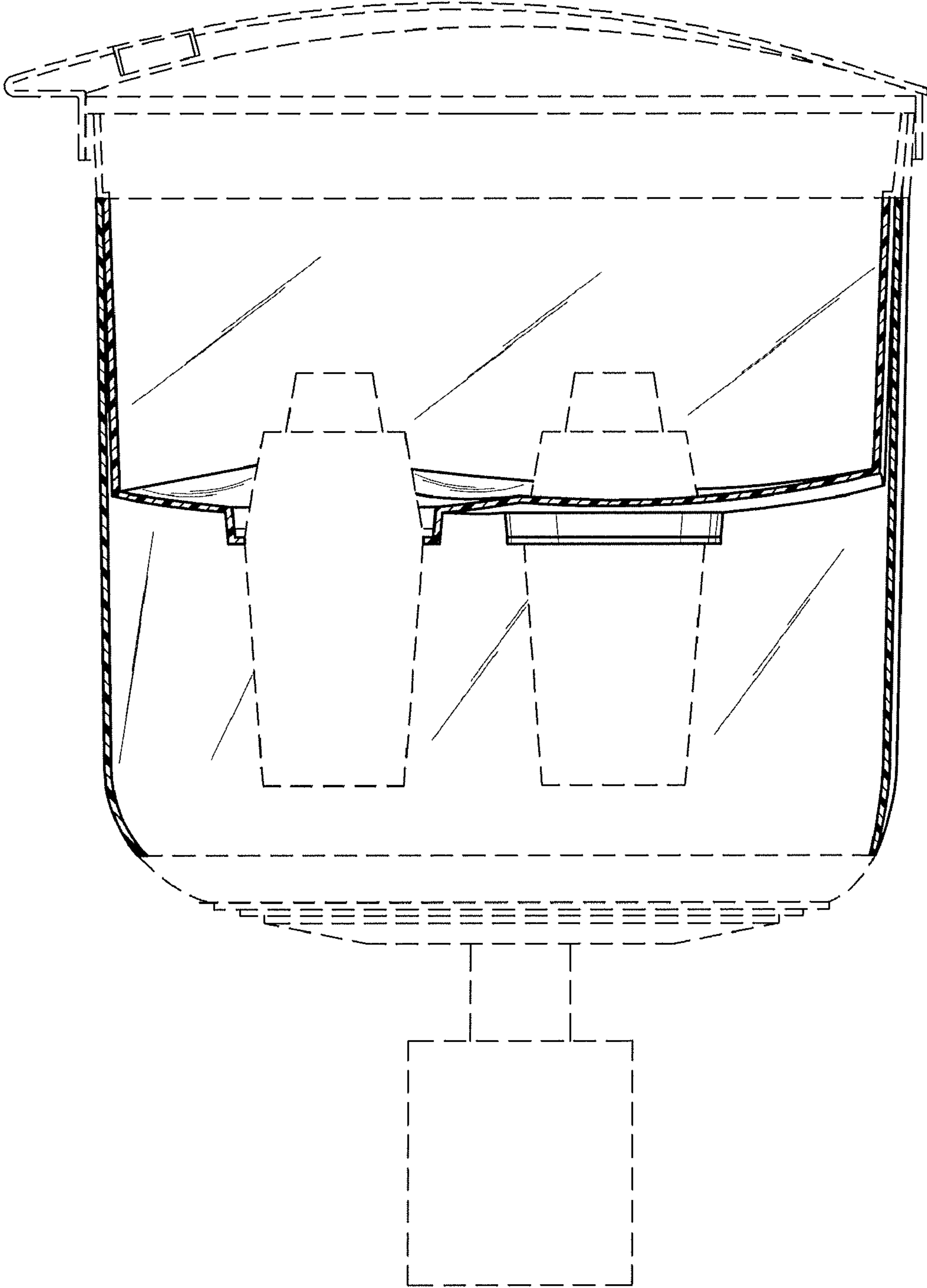


FIG. 11