



US00D638516S

(12) **United States Design Patent**
Greenway-Balnar et al.

(10) **Patent No.:** **US D638,516 S**

(45) **Date of Patent:** **** May 24, 2011**

(54) **WATER FILTER**

(75) Inventors: **Laura Lynn Greenway-Balnar**,
Puslinch (CA); **Douglas Dawson**
Greenway, Guelph (CA)

(73) Assignee: **Greenway Home Products Ltd.**,
Guelph, Ontario (CA)

(**) Term: **14 Years**

(21) Appl. No.: **29/377,001**

(22) Filed: **Oct. 15, 2010**

(51) **LOC (9) Cl.** **23-01**

(52) **U.S. Cl.** **D23/209**

(58) **Field of Classification Search** D23/207,
D23/209; 210/238, 455, 473, 474, 475, 477
See application file for complete search history.

(56) **References Cited**

U.S. PATENT DOCUMENTS

D249,275 S * 9/1978 Mackay et al. D23/209
4,673,501 A * 6/1987 Wells et al. 210/406
5,188,727 A * 2/1993 Kurth et al. 210/85
6,007,718 A * 12/1999 Booth 210/232

6,027,647 A * 2/2000 Northcut et al. 210/323.2
D465,258 S * 11/2002 Hiranaga et al. D23/209
D487,497 S * 3/2004 Ti D23/209

* cited by examiner

Primary Examiner — Robin Webster
(74) *Attorney, Agent, or Firm* — Christopher L. Parmelee;
Walker & Jocke

(57) **CLAIM**

The ornamental design for a water filter, as shown and described.

DESCRIPTION

FIG. 1 is a front upper perspective view showing my new design for a water filter.

FIG. 2 is a back upper perspective view thereof.

FIG. 3 is a front side plan view thereof.

FIG. 4 is a back side plan view thereof.

FIG. 5 is a left side plan view thereof.

FIG. 6 is a right side plan view thereof.

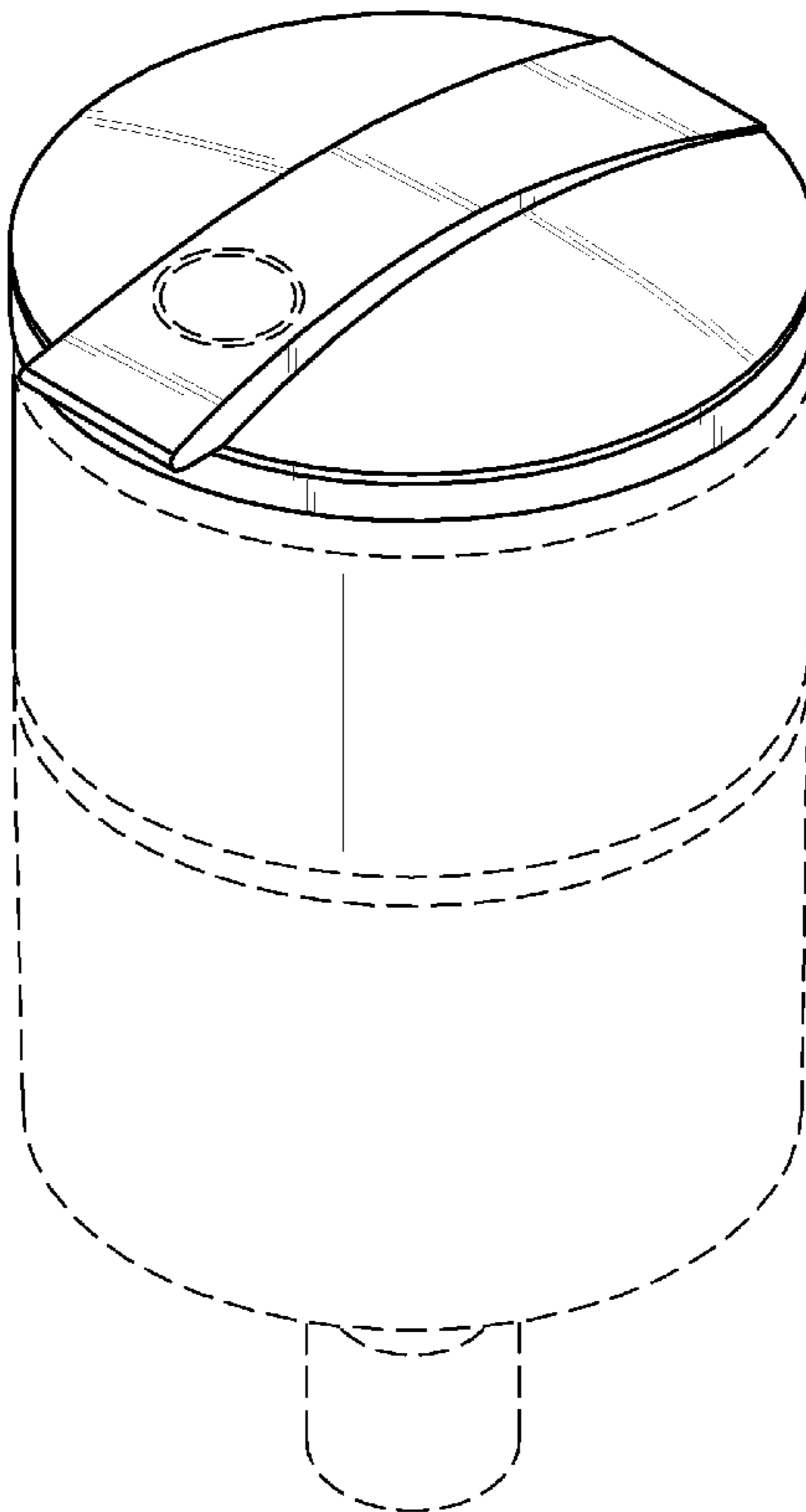
FIG. 7 is a top side plan view thereof.

FIG. 8 is a bottom side plan view thereof; and,

FIG. 9 is a front upper perspective view thereof showing a lid of the water filter in an open position.

The broken lines adjacent the shaded areas represent the boundaries of the claimed design, while the other broken lines representing the outline of portions of the water filter depict environmental subject matter only, and form no part of the claimed design.

1 Claim, 9 Drawing Sheets



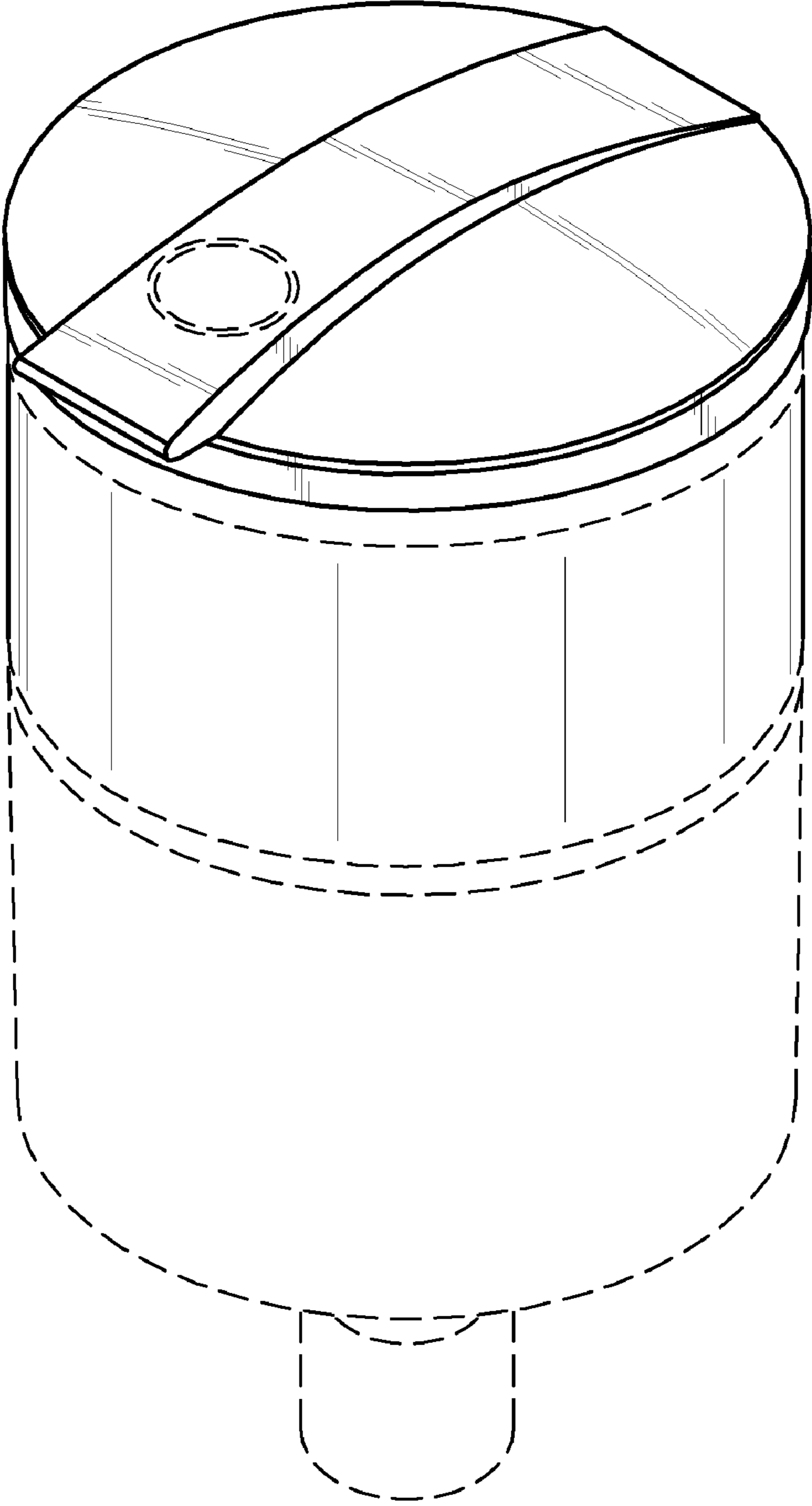


FIG. 1

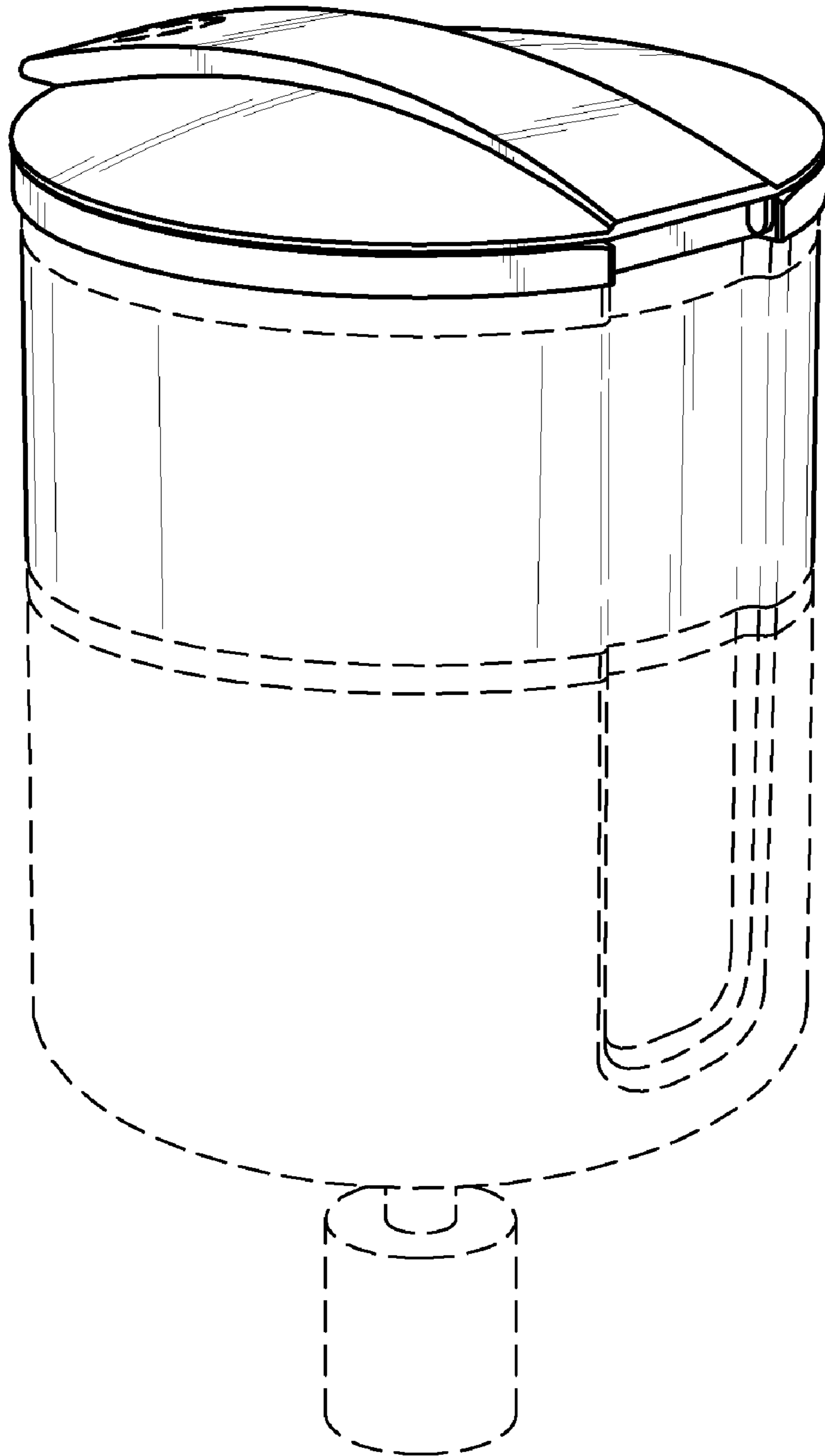


FIG. 2

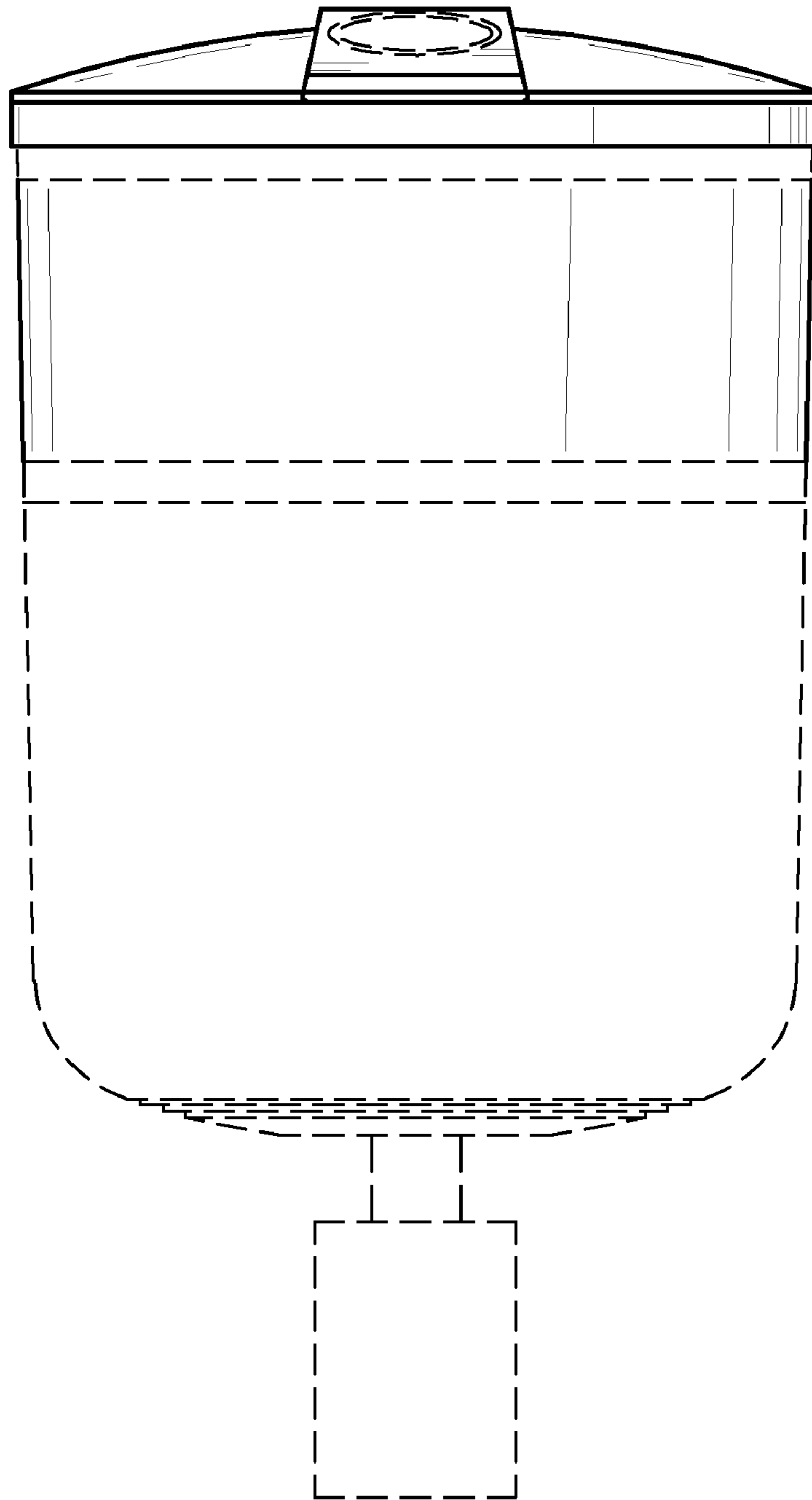


FIG. 3

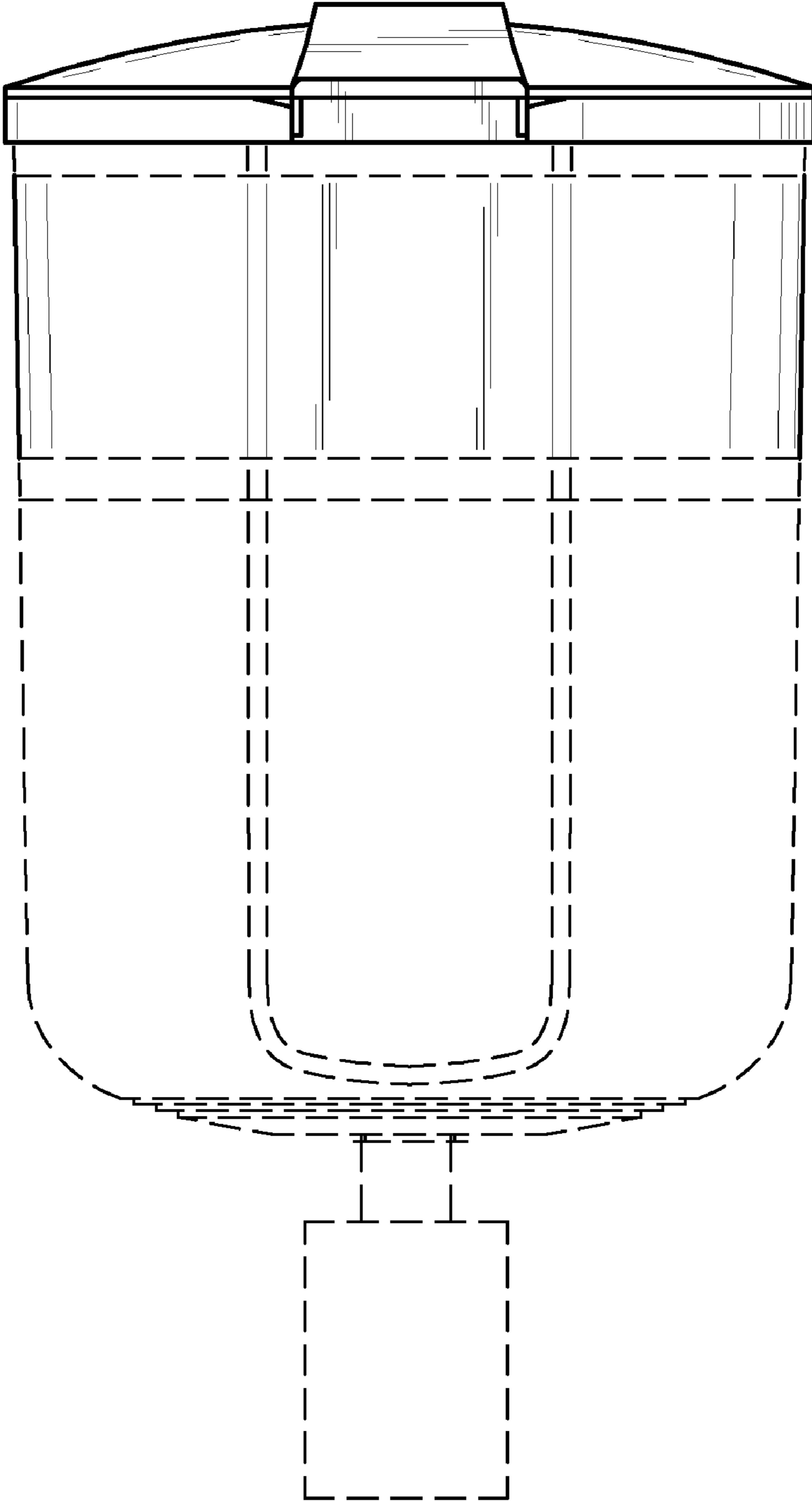


FIG. 4

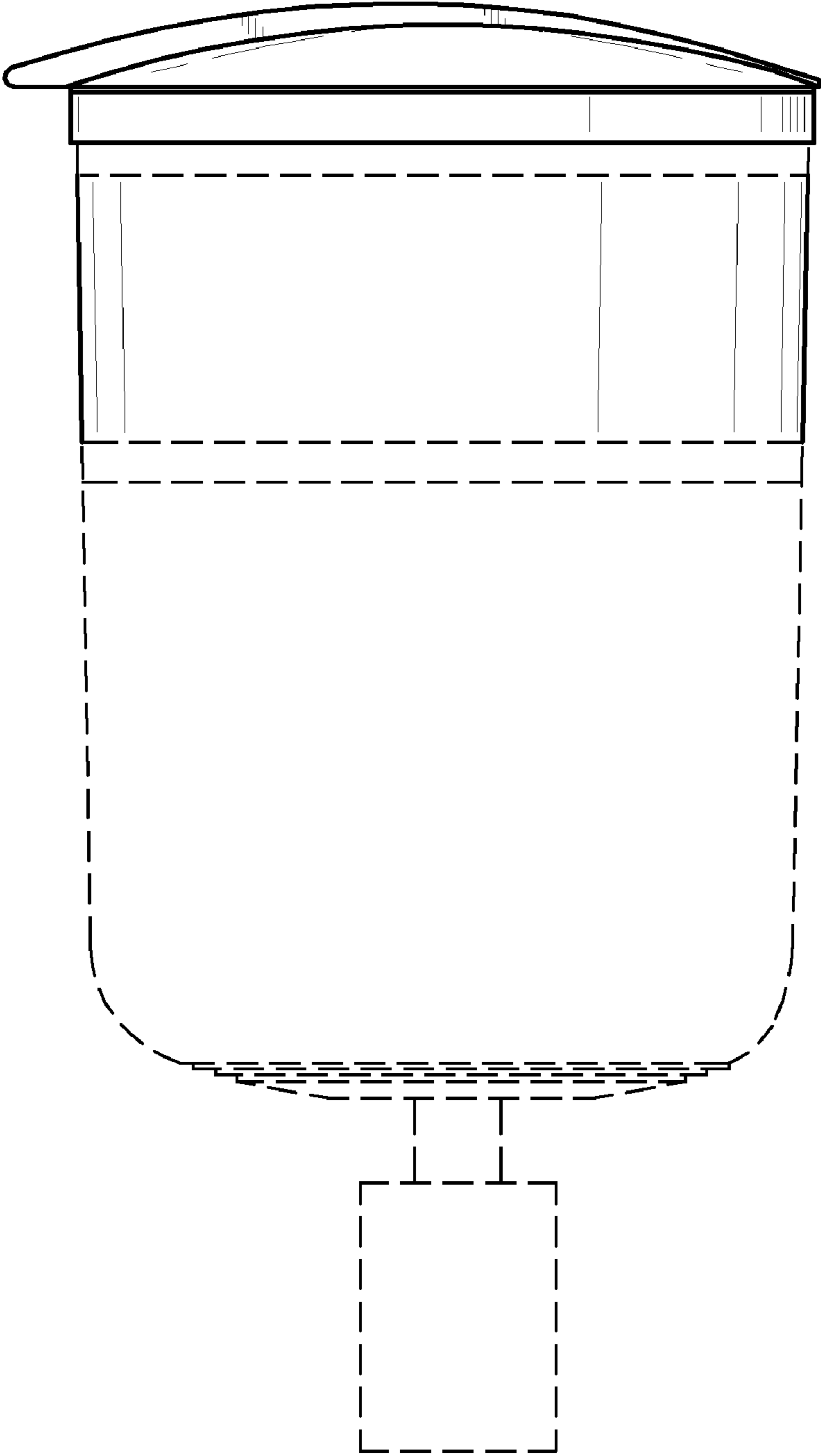


FIG. 5

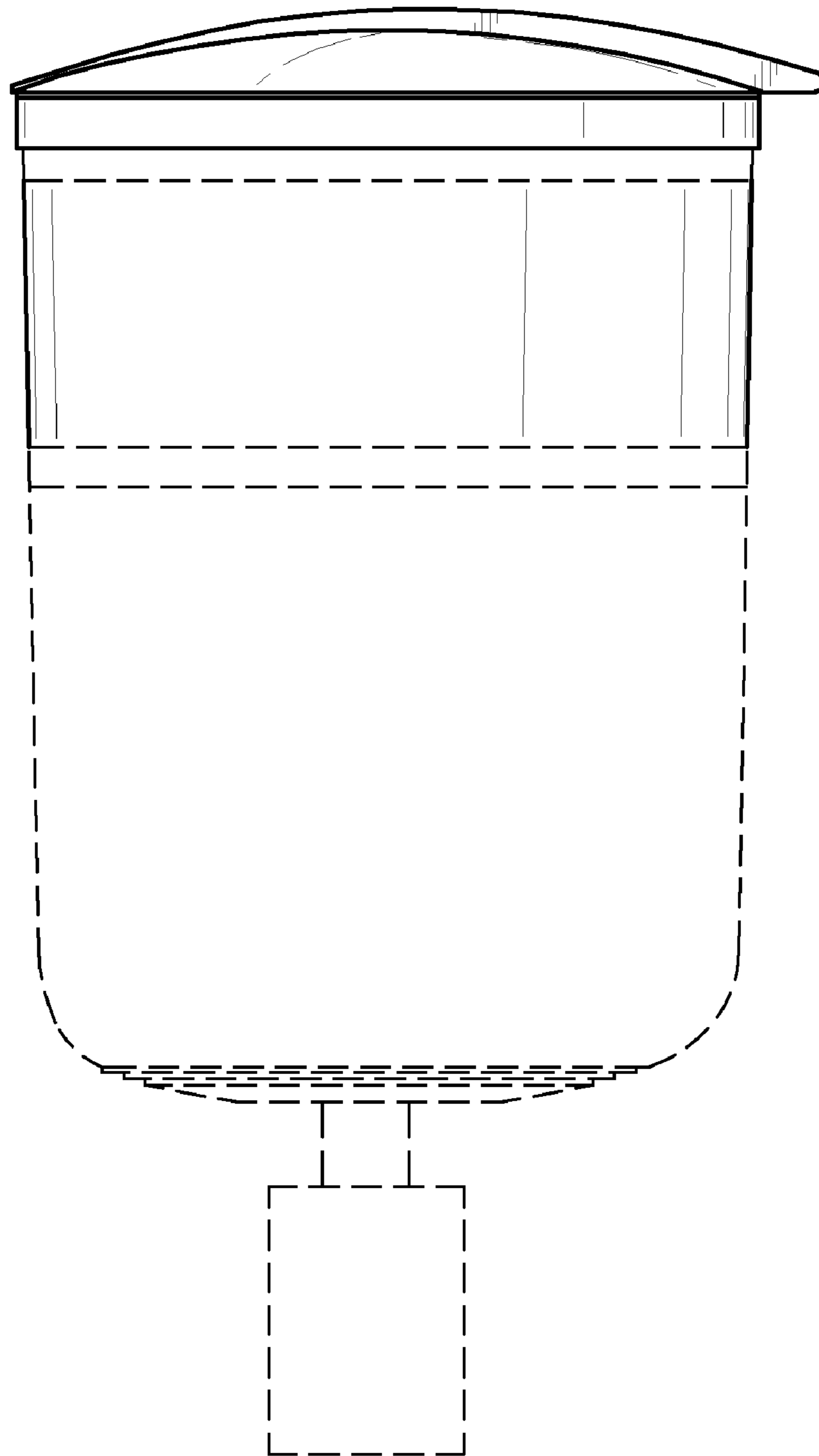


FIG. 6

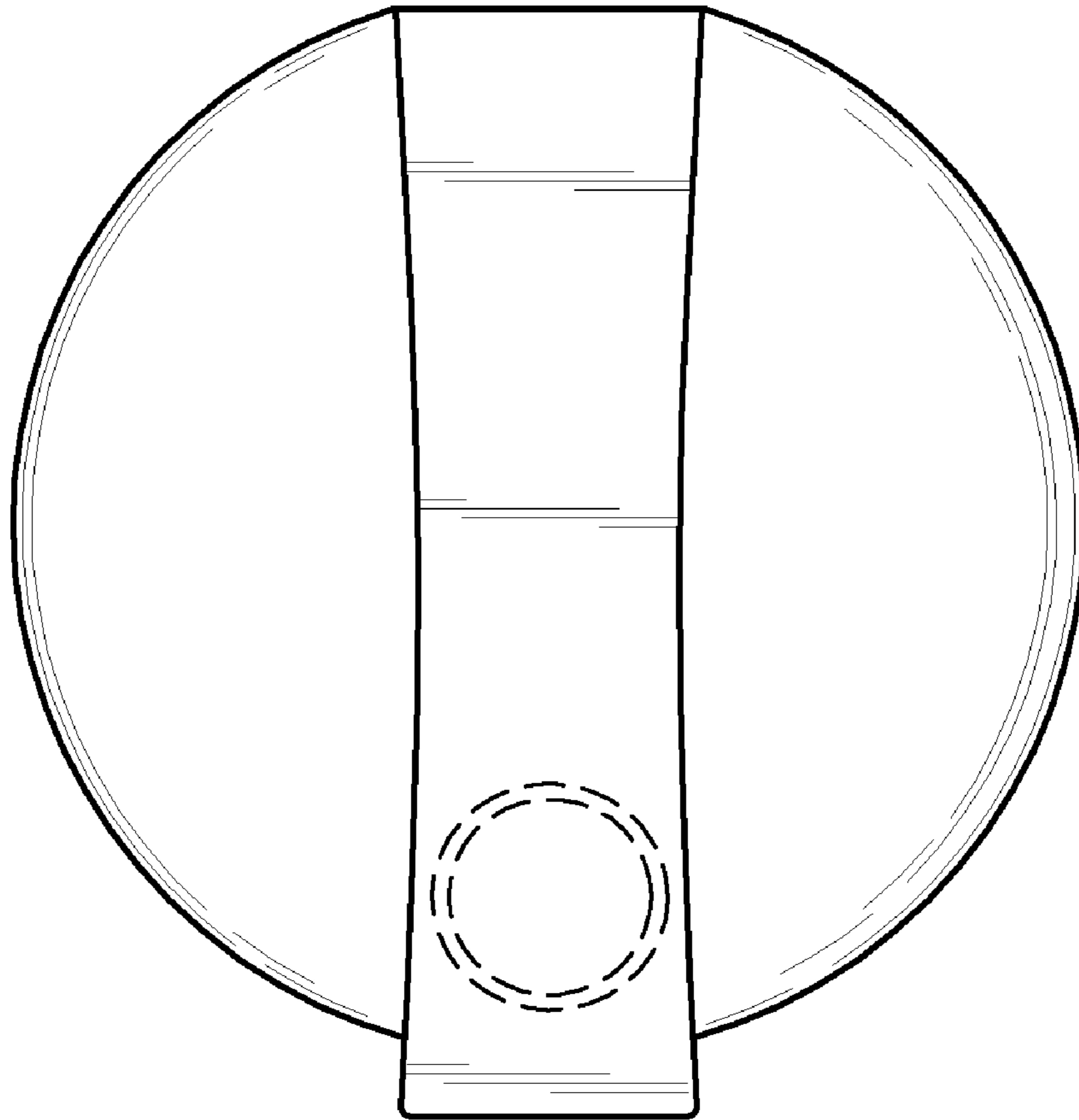


FIG. 7

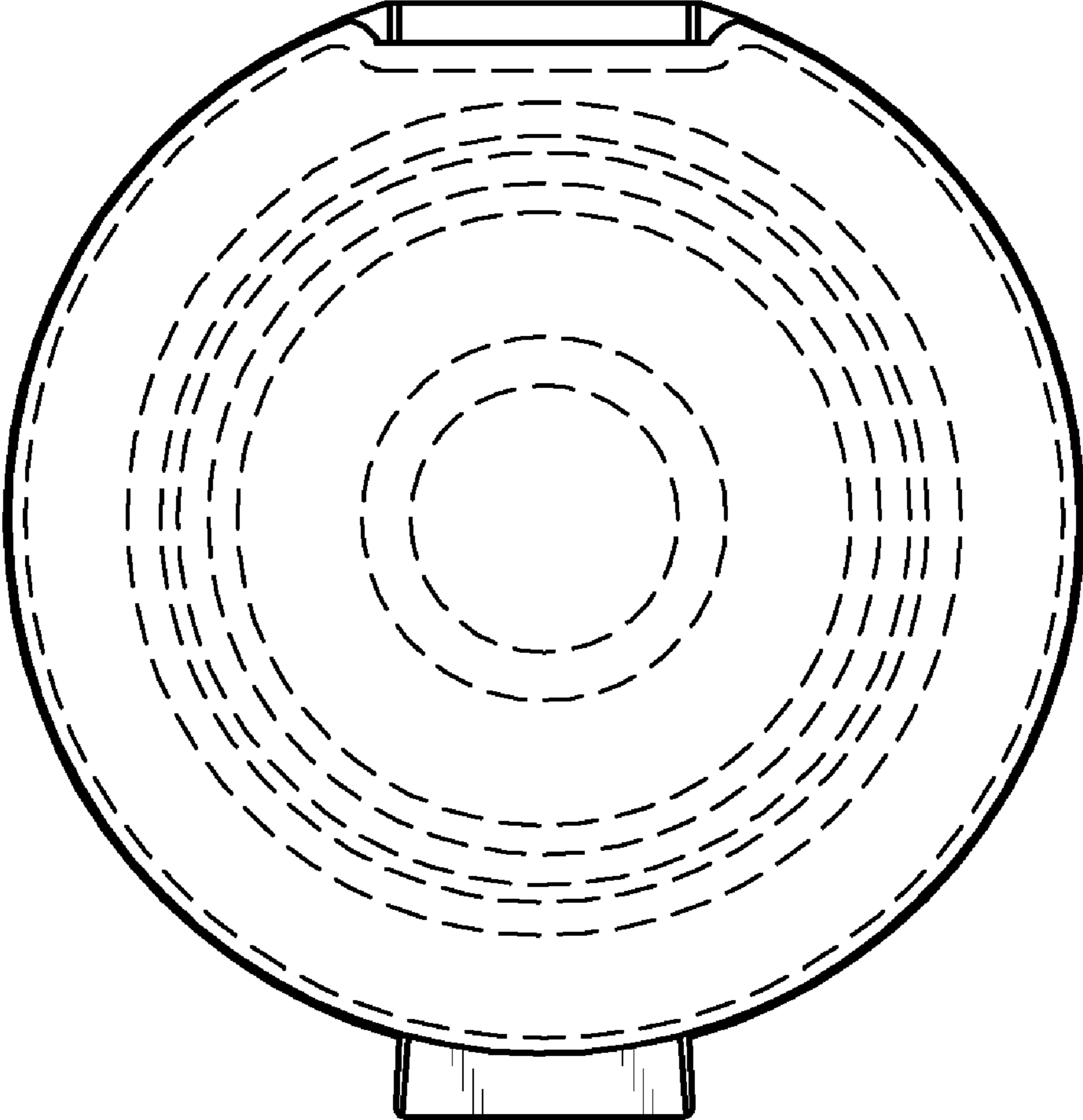


FIG. 8

