



US00D638509S

(12) **United States Design Patent**  
**Malcarne**

(10) **Patent No.:** **US D638,509 S**

(45) **Date of Patent:** **\*\* May 24, 2011**

(54) **FISHING ROD TIP**

3,058,255 A \* 10/1962 Gorham ..... 43/24  
D368,295 S \* 3/1996 Mata ..... D22/143  
D497,404 S \* 10/2004 Malcarne ..... D22/143

(75) Inventor: **Frederick Joseph Malcarne,**  
Westbrook, CT (US)

\* cited by examiner

(73) Assignee: **Winthrop Tool LLC,** Deep River, CT  
(US)

*Primary Examiner* — Catherine R Oliver

(74) *Attorney, Agent, or Firm* — Cantor Colburn LLP

(\*\*) Term: **14 Years**

(57) **CLAIM**

We claim, the ornamental design for a fishing rod tip, as shown and described.

(21) Appl. No.: **29/322,708**

**DESCRIPTION**

(22) Filed: **Aug. 11, 2008**

FIG. 1 is a top plan view of a fishing rod tip showing my new design;

(51) **LOC (9) Cl.** ..... **22-05**

FIG. 2 is a right side elevational view thereof;

(52) **U.S. Cl.** ..... **D22/143**

FIG. 3 is a bottom plan view thereof;

(58) **Field of Classification Search** ..... D22/143,

FIG. 4 is a proximal end view thereof; and,

D22/142, 138-139; 43/18, 24

FIG. 5 is a distal end view thereof.

See application file for complete search history.

The left side of the illustrated base for the fishing rod tip is not shown because it is a mirror image of the right side shown in FIG. 2.

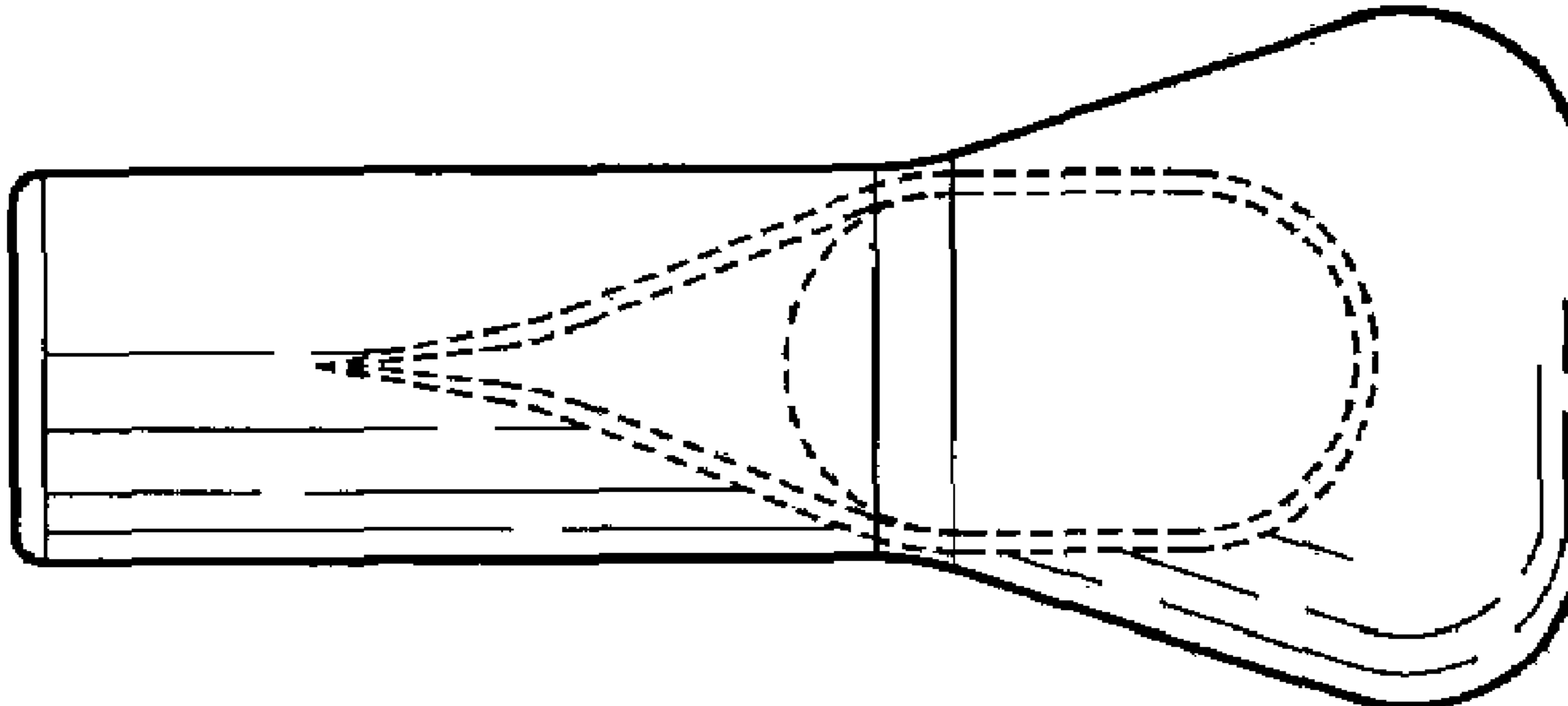
(56) **References Cited**

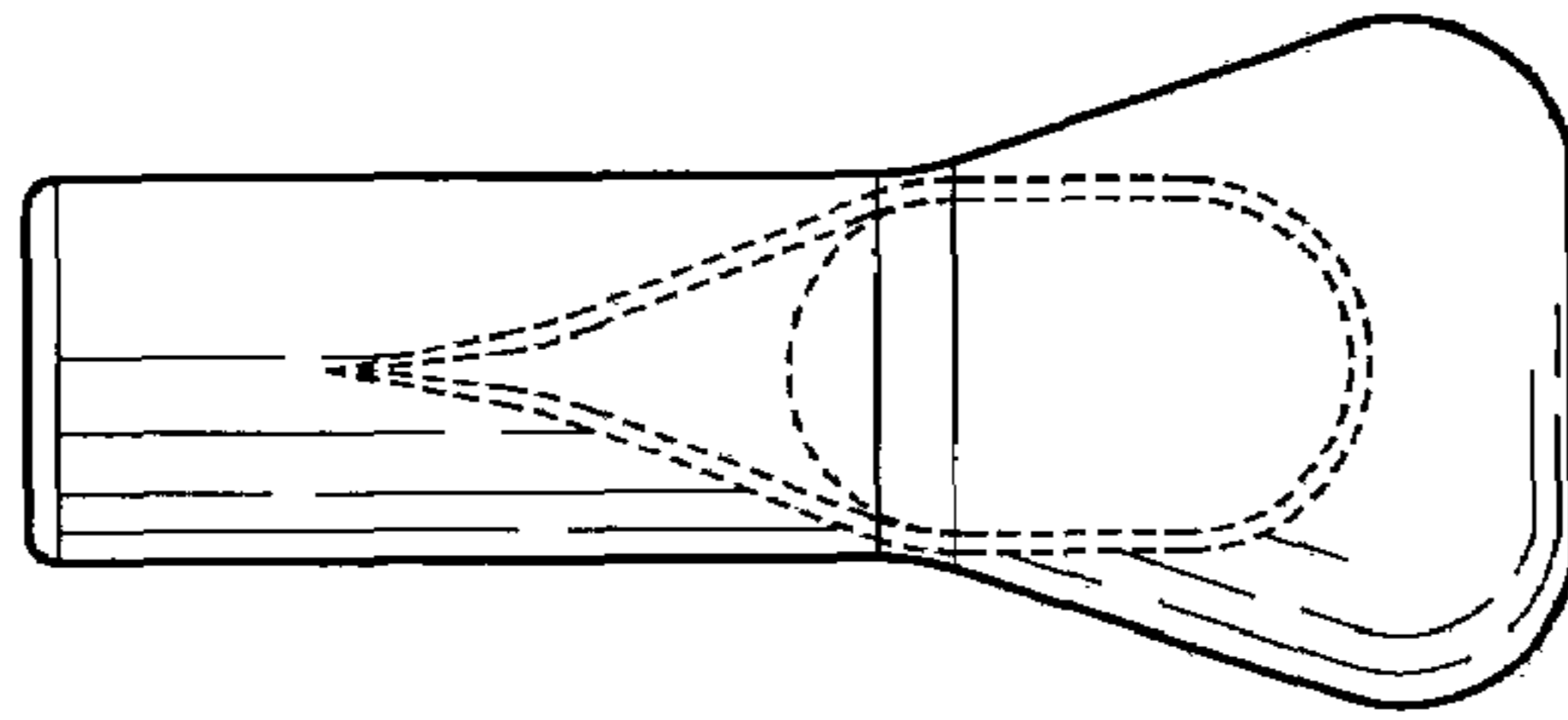
Any broken line illustration in the drawing disclosure is not part of the design sought to be patented.

**U.S. PATENT DOCUMENTS**

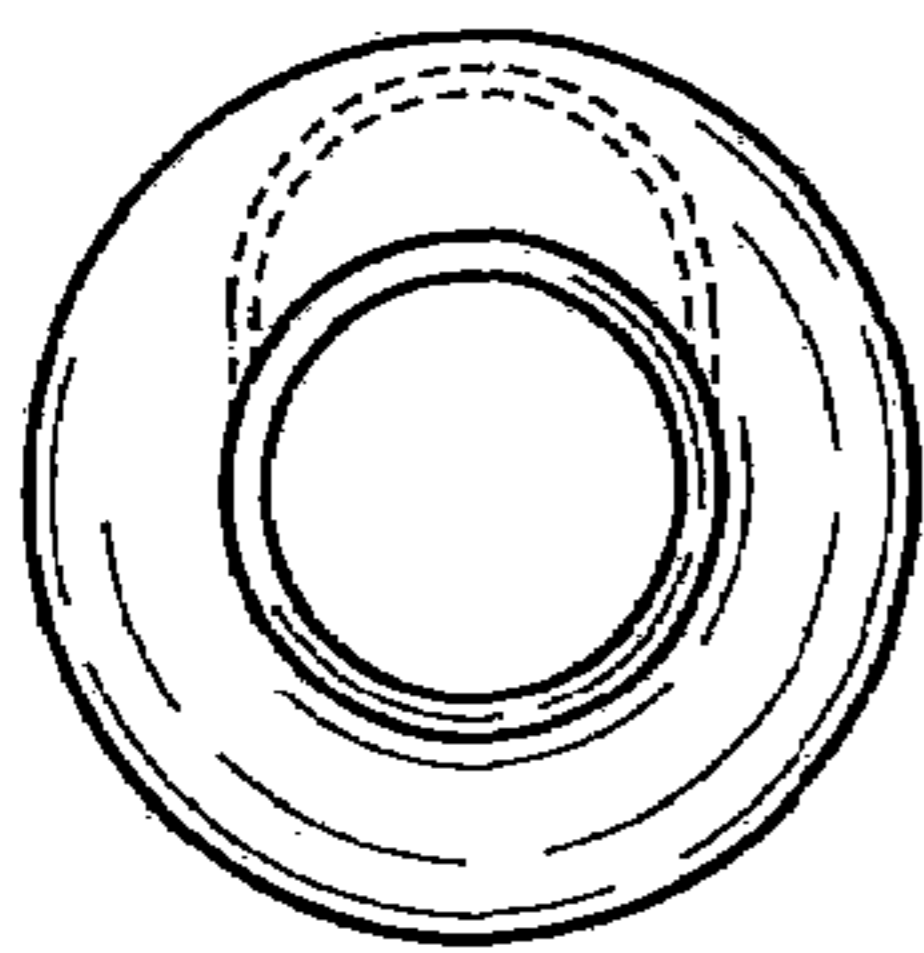
D153,370 S \* 4/1949 Lundstedt ..... D22/143  
2,792,660 A \* 5/1957 Jennette ..... 43/24

**1 Claim, 1 Drawing Sheet**

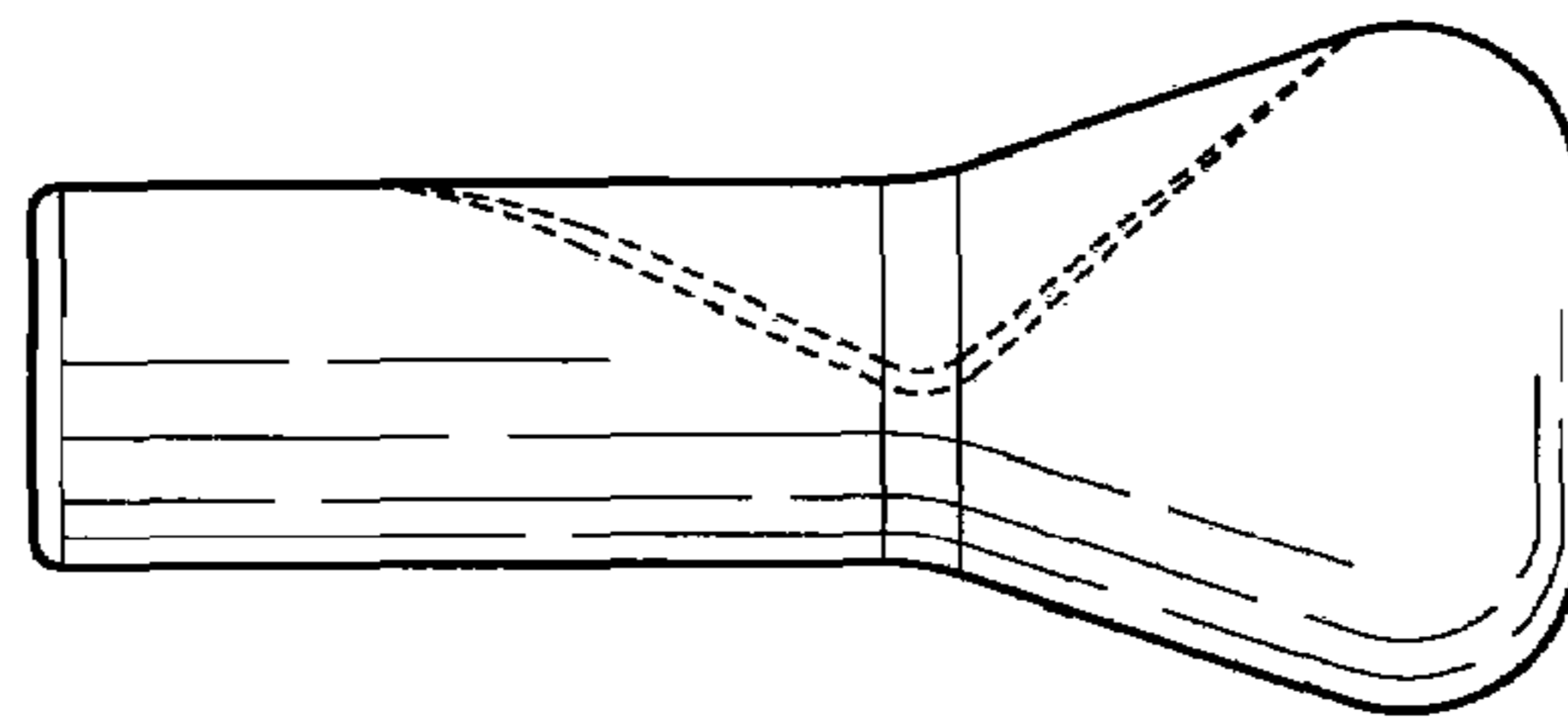




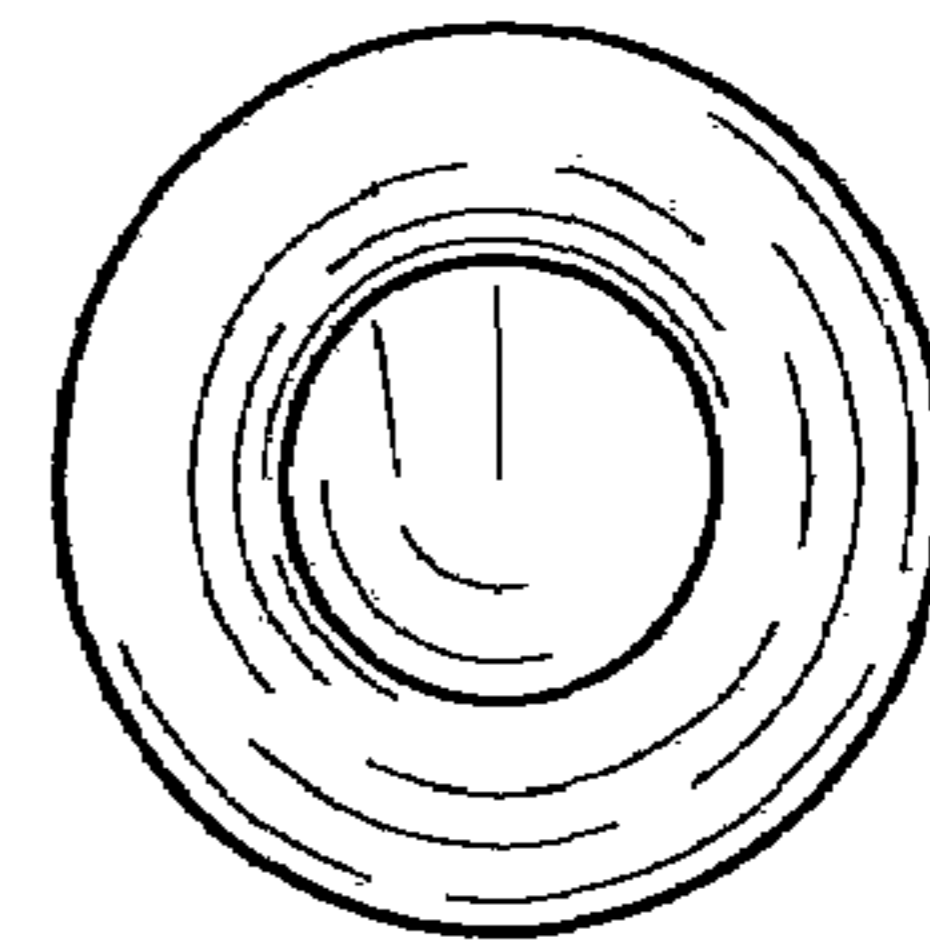
*Fig. 1*



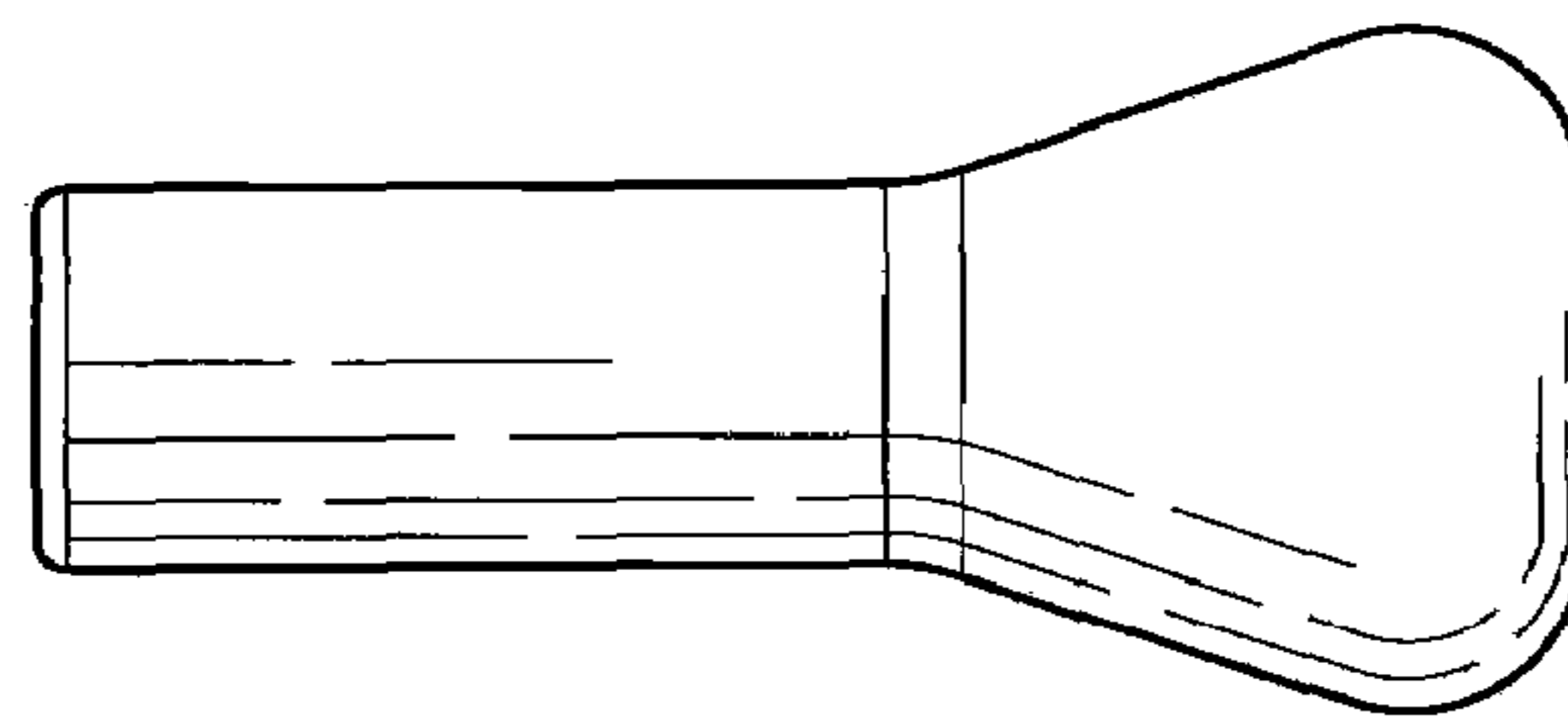
*Fig. 4*



*Fig. 2*



*Fig. 5*



*Fig. 3*